

Loop Antenna

518.4.041.1A - EL017601 made by ZADI S.p.A.

Radio equipment installed in the vehicle	Frequency band	Max. transmission power
Dashboard RTADM002 with Loop antenna type EL017601, made by ZADI S.p.A.	134.2 KHz (119 ÷ 135 KHz)	< 42 dBμA/m (10m) with antenna: Inductance range: 1.02 ÷ 1.06 mH (@ 100 kHz) Resistance: 19.2 ± 3% Ω Number of turns: 166 (Φ of wire 0.125 mm) Max gain: 0 dBi

The antenna is identified as **10c** in *Figure 1*: see "518.4.041.1A - EL017601_0 (antenna design).pdf" for a detail of mechanical construction details.

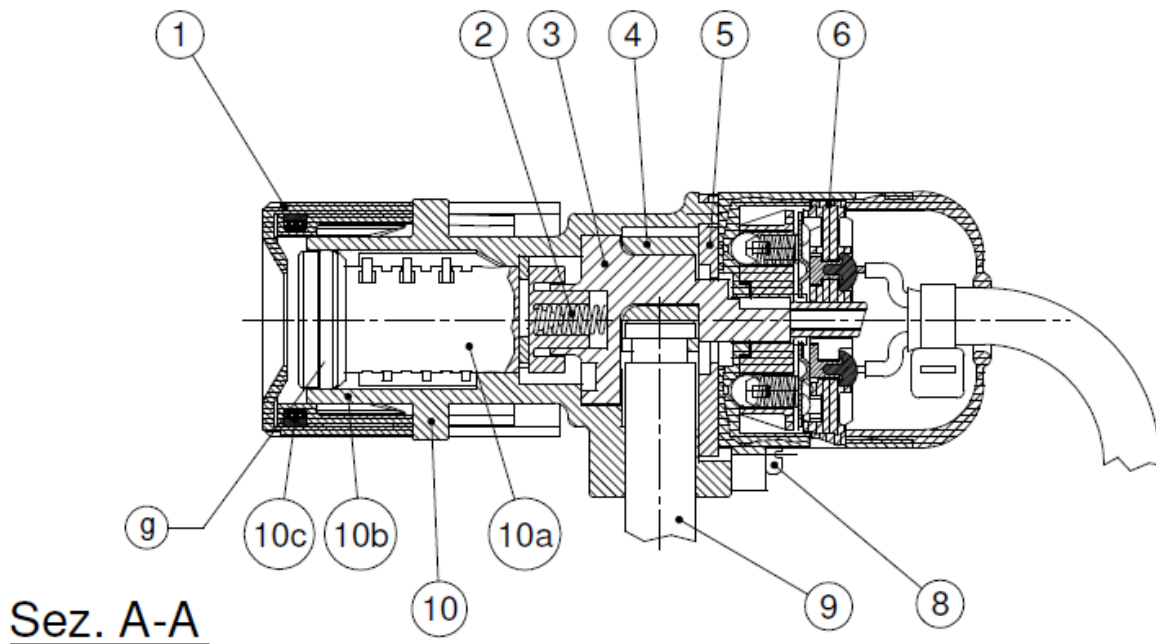


Figure 1 - Key block mechanical details

REMARK: all compliance tests were performed in radiated mode only.