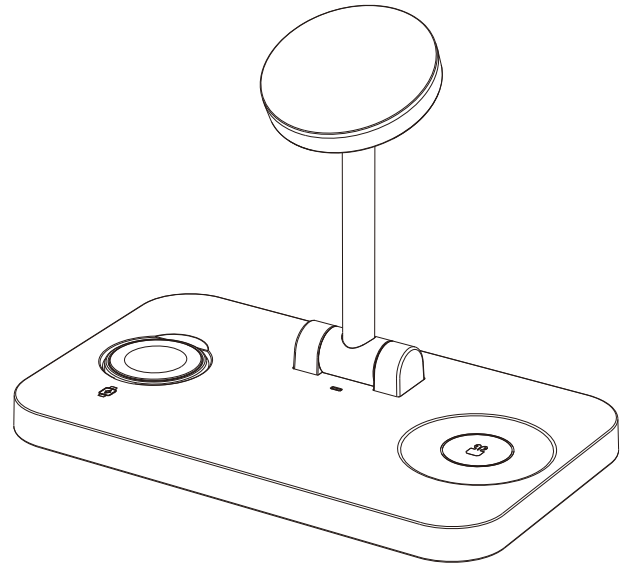


封面

User Manual

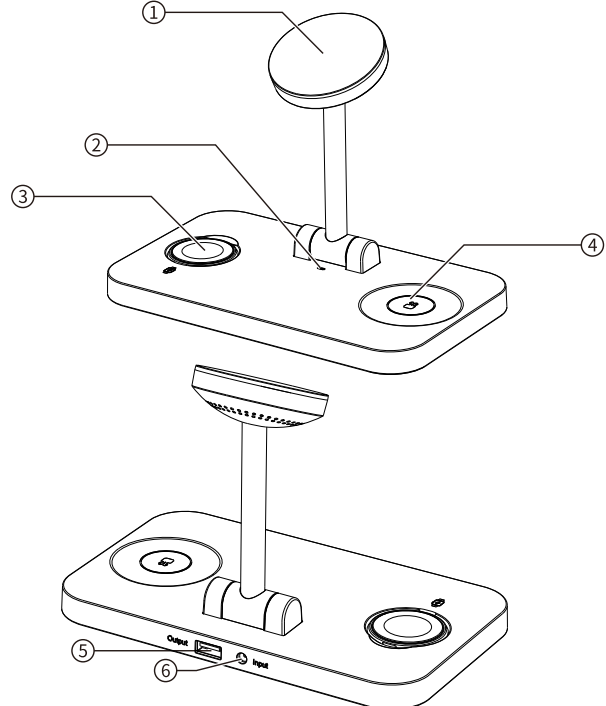
Model: TMS01

Accessories:
 1* 4 in 1 Magnetic Wireless Charging Station
 1* 36W DC Adapter with cable
 1* User Manual



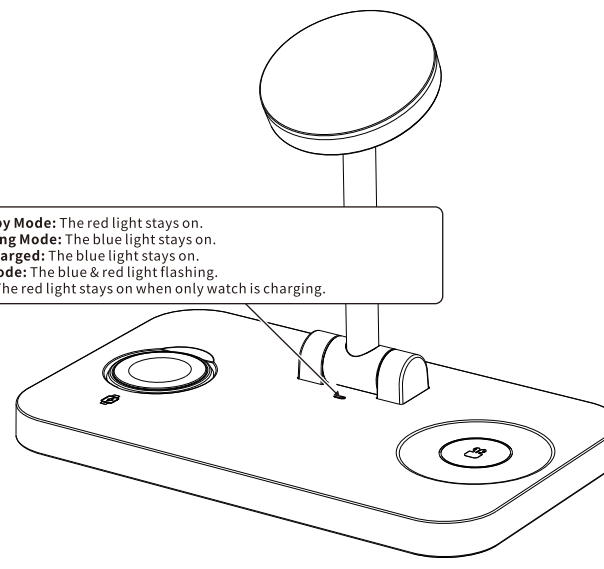
Note:
 Thanks for your acquisition of this 4 in 1 Magnetic Wireless Charging Station. Please read this manual carefully before using this product.

PRODUCT STRUCTURE



- ① 1st Wireless Charging Area for iPhone 12/13/14 or Other Smartphones with MagSafe Case
- ② Indicator
- ③ 2nd Wireless Charging Area for iWatch
- ④ 3rd Wireless Charging Area for TWS Earphone or other Qi-enabled devices
- ⑤ USB A Output
- ⑥ Input

INDICATOR



Standby Mode: The red light stays on.
Charging Mode: The blue light stays on.
Full Charged: The blue light stays on.
FOD Mode: The blue & red light flashing.
Note: The red light stays on when only watch is charging.

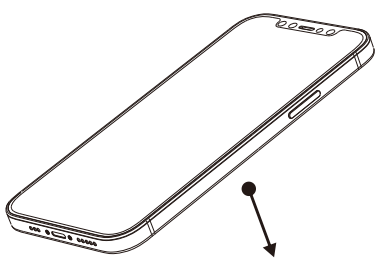
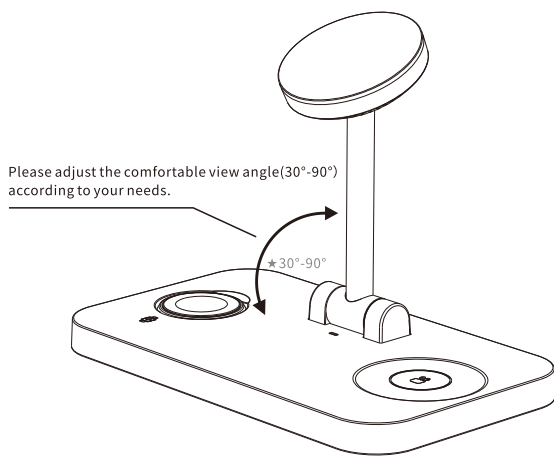
SPECIFICATIONS

Input	12V/3A
Wireless Output (Phone)	5W, 7.5W, 10W, 15W
iWatch Output	3W (Max)
AirPods Output	5W (Max)
USB-A Output	5W (Max)
Product Dimension	7.4*4.4*5.3 inch (188*110*135mm)
Weight	13.8oz(390g)

HOW TO USE

1st Wireless Charging ①

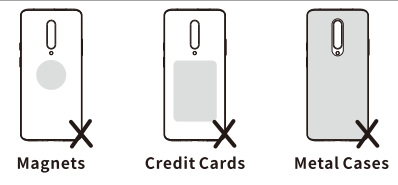
Please fit the product with the back of your iPhone (12/13/14 series) or other phone supporting wireless charging (which with magnetic phone case). It will charge your phones automatically via the built-in magnetic wireless charging. Max be 15W, iPhone series is 7.5W.

Please adjust the comfortable view angle(30°-90°) according to your needs.

When your wireless charging is not working properly

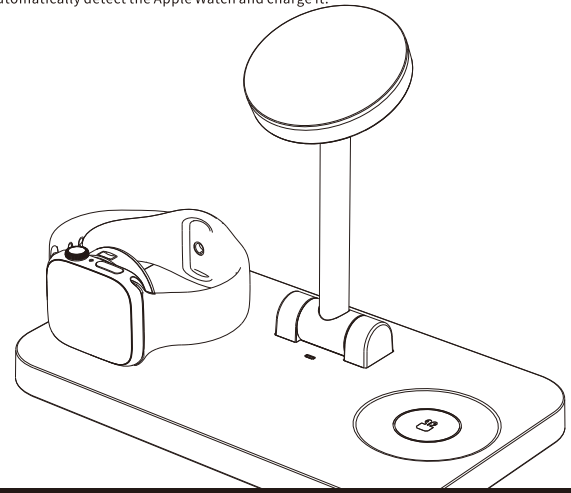
- Clean the clutter on the wireless charge
- Please make sure the wireless charging coil is correctly positioned with the charged device coil.
- When the wireless charger is overheating, keep your mobile phone away from the wireless transmitter. Please wait for the wireless transmitter to cool down before trying to charge it.



Magnets Credit Cards Metal Cases

2nd Wireless Charging Area for Apple Watch ③

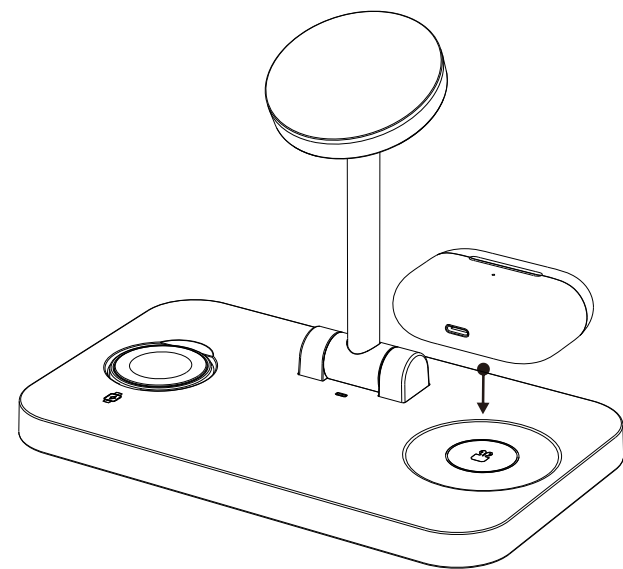
Make sure your Apple Watch is corresponded to the magnetic area of the wireless charger for Apple Watch ③. The wireless charger area for Apple Watch is foldable to be available for all kinds of different iWatch strap, including folded and unfolded watch strap. It will automatically detect the Apple Watch and charge it.



Remark: This product is only available for iWatch. If Samsung watch, it's not compatible.

3rd Wireless Charging Area for TWS Earphone or other Qi-enabled devices ④

Please lay down your earphone onto the charging area (small groove) and then it will automatically detect and charge (5W Max). When the earphone is full charged, the LED light of the earphone is green while it's orange when it's charging.



Warning

- The magnetic wireless charging station will generate heat when charging (it's normal for wireless charging technology). Please use it in a well-ventilated area when charging.
- Keep the magnetic wireless charging station away from heat source, direct sunlight, humidity, water or other liquids.
- Do not operate the magnetic wireless charging station if it's wet or damaged to prevent electric shock and explosion. Do not repair without unauthorised.
- Do not use the magnetic wireless charging station with wet hand.
- Do not use the unit for purposes other than its intended use.

FCC CE RoHS
 Made in China

封底

品名:	TMS01-说明书	规格:	100g 双胶纸 黑白 正反印刷 2折页 尺寸:100x140 mm
版本:	20220812		
制作:	李志敏		
料号:			

10.0105.1111

TMS01说明书

尺寸: 100*140mm/100g双胶纸/黑白/正反印刷/2折页

This equipment has been tested and found to comply with the limits for a Class B digital device, pursuant to part 15 of the FCC Rules. These limits are designed to provide reasonable protection against harmful interference in a residential installation. This equipment generates, uses and can radiate radio frequency energy and, if not installed and used in accordance with the instructions, may cause harmful interference to radio communications. However, there is no guarantee that interference will not occur in a particular installation. If this equipment does cause harmful interference to radio or television reception, which can be determined by turning the equipment off and on, the user is encouraged to try to correct the interference by one or more of the following measures:

- Reorient or relocate the receiving antenna.
- Increase the separation between the equipment and receiver.
- Connect the equipment into an outlet on a circuit different from that to which the receiver is connected.
- Consult the dealer or an experienced radio/TV technician for help.

Caution: Any changes or modifications to this device not explicitly approved by manufacturer could void your authority to operate this equipment.

This device complies with part 15 of the FCC Rules. Operation is subject to the following two conditions: (1) This device may not cause harmful interference, and (2) this device must accept any interference received, including interference that may cause undesired operation.

The device has been evaluated to meet general RF exposure requirement.