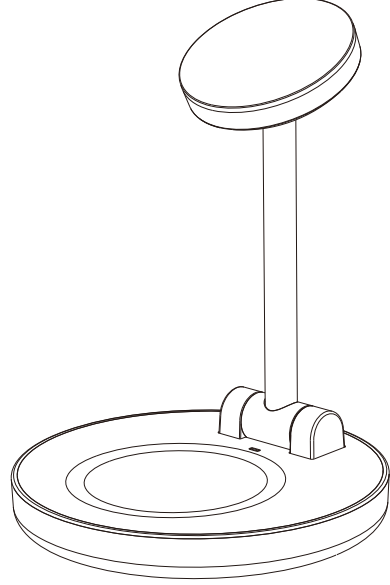


封面

User Manual

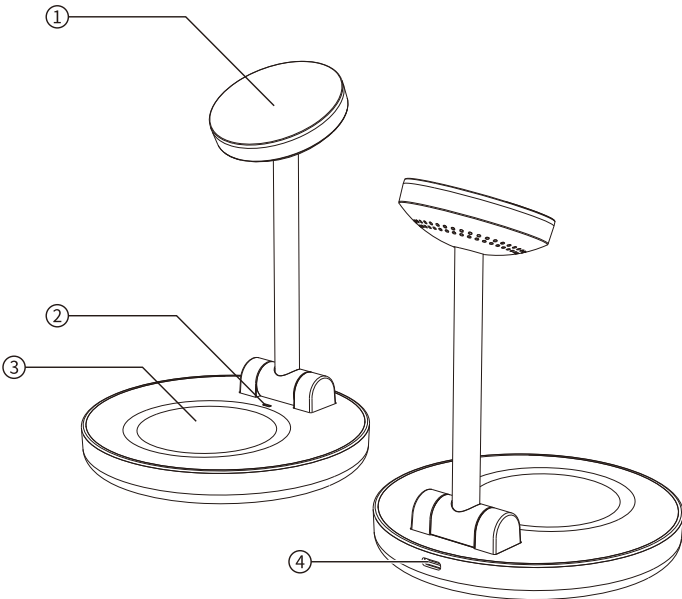
Model: DMS02

Accessories:
 1 * Foldable Wireless Charging Stand.
 1 * USB-A to Type C Cable
 1 * User Manual



Note:
 Thank you for your acquisition of this Foldable Wireless Charging Stand, please read this manual carefully before using this product.

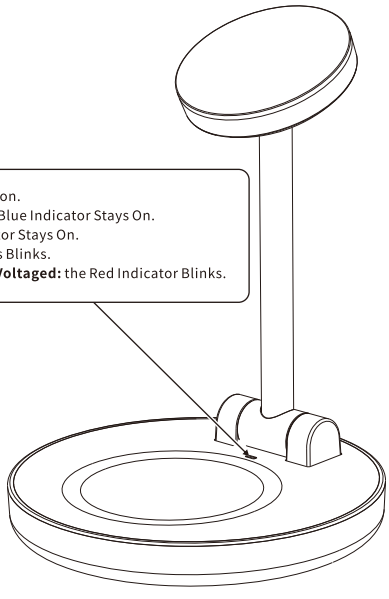
PRODUCT STRUCTURE



- ① 1st Wireless Charging Area for iPhone 12/13 or Other Smartphones with MagSafe Case
- ② Indicator
- ③ 2nd Wireless Charging Pad for AirPods
- ④ Type C Input

INDICATOR

When in Standby: the Red Indicator on.
When Start Wireless Charging: the Blue Indicator Stays On.
When Full Charged: the Blue Indicator Stays On.
When FOD: the Blue & Red Indicators Blinks.
When Over-temperated or Over Voltaged: the Red Indicator Blinks.



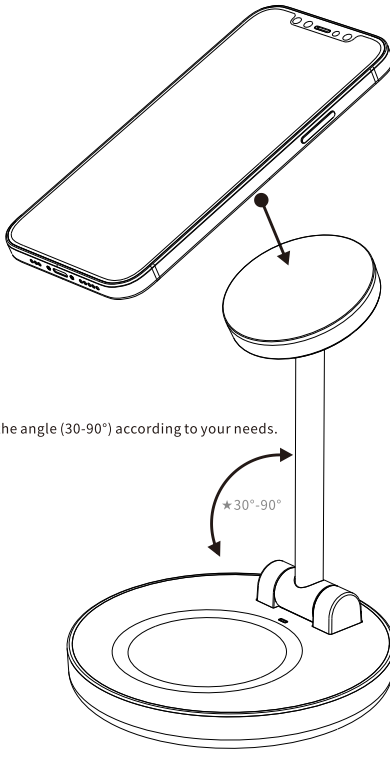
SPECIFICATIONS

Type C Input	5V/3A, 9V/2.22A, 12V/2A
Wireless Output(Mobile)	5W, 7.5W, 10W, 15W
Airpods Output	5W (Max)
Dimension	6.44*4.9*2.26 inch (163.6*124.5*57.4 mm)
Weight	13.4 oz (380 g)

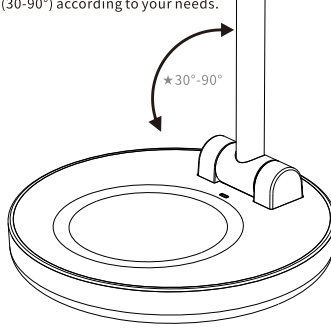
HOW TO USE

1st Wireless Charging①

Please fit the product with the back of your iPhone (12 or 13 series) or other wireless charging phone (which with magnetizing ring attached), it will charge your phone automatically via the built-in magnetic wireless charging. Max to be 15W, iPhone series is 7.5W.

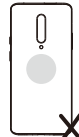


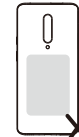
You can adjust the angle (30-90°) according to your needs.

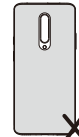


When your wireless charging is not working properly

- Clean the clutter on the wireless charge.
- Please make sure the wireless charging coil is correctly positioned with the phone coil.
- When the wireless charger is overheating, keep your mobile device away from the wireless transmitter. Please wait for the wireless transmitter to cool down before trying to charge it.

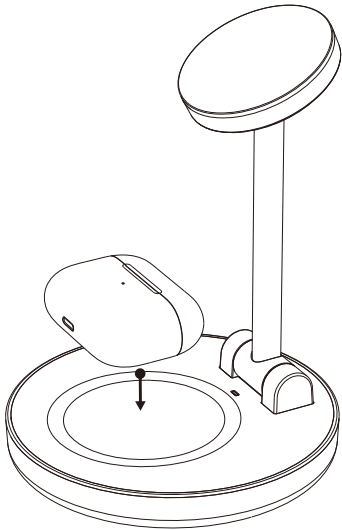

Magnets


Credit Cards


Metal Cases


2nd Wireless Charging for AirPods②

Please lay down your AirPods onto the charging area (small groove) and it will automatically detect and discharge (5W Max).



Warning

- The Foldable Wireless Charging Stand will generate heat when charging (it is normal for the wireless charging technology). Please use it in a well-ventilated area when charging.
- Keep the power bank stand away from heat sources, direct sunlight, humidity, water or other liquids.
- Do not use the power bank stand with wet hands.
- Do not use the unit for purposes other than its intended use.



Made in China

封底

品名:	DMS02-中性说明书	规格:	100g 双胶纸 黑白 正反印刷 2折页 尺寸:100x140 mm
版本:	20220117		
制作:	李志敏		
料号:			

This equipment has been tested and found to comply with the limits for a Class B digital device, pursuant to part 15 of the FCC Rules. These limits are designed to provide reasonable protection against harmful interference in a residential installation. This equipment generates, uses and can radiate radio frequency energy and, if not installed and used in accordance with the instructions, may cause harmful interference to radio communications. However, there is no guarantee that interference will not occur in a particular installation. If this equipment does cause harmful interference to radio or television reception, which can be determined by turning the equipment off and on, the user is encouraged to try to correct the interference by one or more of the following measures:

- Reorient or relocate the receiving antenna.
- Increase the separation between the equipment and receiver.
- Connect the equipment into an outlet on a circuit different from that to which the receiver is connected.
- Consult the dealer or an experienced radio/TV technician for help.

Caution: Any changes or modifications to this device not explicitly approved by manufacturer could void your authority to operate this equipment.

This device complies with part 15 of the FCC Rules. Operation is subject to the following two conditions: (1) This device may not cause harmful interference, and (2) this device must accept any interference received, including interference that may cause undesired operation.

The device has been evaluated to meet general RF exposure requirement.