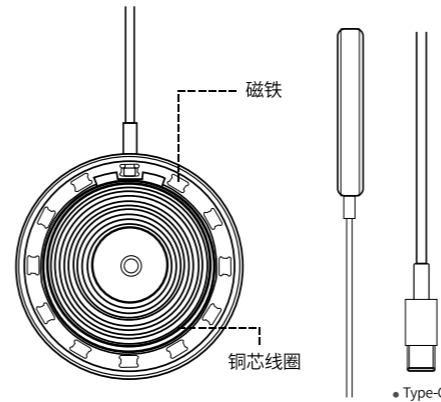
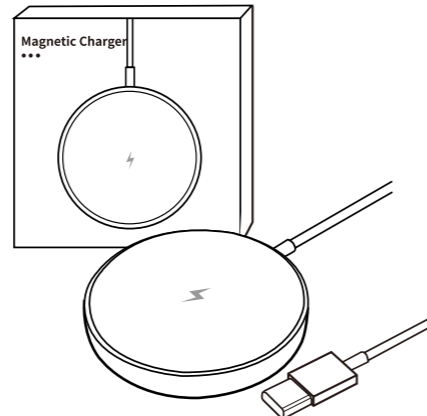


磁吸无线充电器



产品介绍

感谢购买我司产品,本产品是一款磁吸式无线充电器,适用于iPhone的iOS最新系统以及其他Qi设备。使用本产品前请仔细阅读本手册并妥善保管,以备查阅

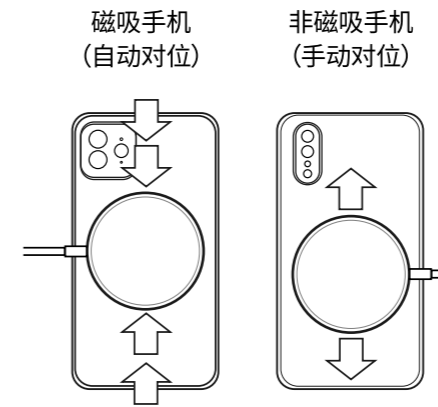


产品特点

- 1.产品内部附带一圈磁铁,可磁吸住手机方便使用;
- 2.本产品超薄、体积小、方便携带;
- 3.本产品是一体式无线充电器,无需额外配线;
- 4.输入口USB规格选配Type-C口;
- 5.本产品支持15W快充。

功能说明

将带有磁吸功能手机放置于无线充上,无线充内置的磁铁会自动对位,准确吸附到手机上,开始无线充电;其他不带磁吸功能的手机,则将手机中心位置放置于无线充中心位置即可无线充电!



产品规格

输出功率	15w(MAX)
输入电压	DC5V=2A 9V=2.2A
工作频率	110-205KHZ
电力转换	≥75%
规格尺寸	Ø57.8*7.7mm

注意事项

1. 请勿挤压或碰撞。
2. 请勿自行拆卸或投入火中、水中、避免造成短路漏电。
3. 请勿在严重高温、潮湿或腐蚀性环境下使用无线充电器 避免损坏电路出现漏电现象。
4. 请勿与带磁条或者带芯片的磁卡(身份证、银行卡等)放置太近 避免造成磁卡失效。
5. 请保持植入医疗设备(心脏起搏器、植入性耳蜗等)与无线充电器之间的距离至少为20cm,以避免对医疗设备造成潜在干扰。
6. 应看管好儿童,以确保他们不将无线充电器当成玩具来玩,以避免不必要的意外。

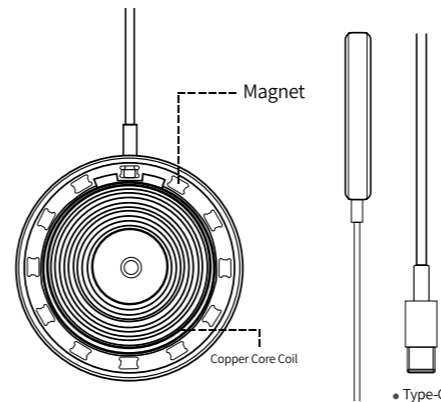
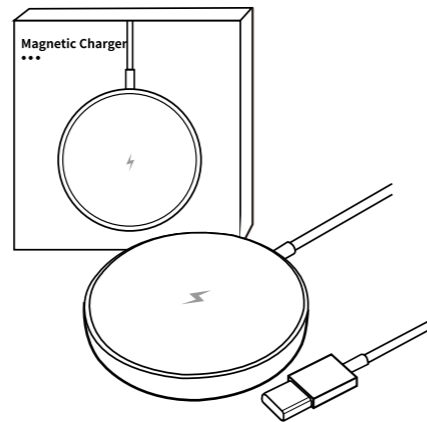
注:不含电源适配器,如需要请另外购买

Magnetic Charger



Product Introduction

Thanks for choosing us!
This is a magnetic charger for iPhone with the latest version of iOS and other Qi-enabled devices. Please read the manual carefully before using the product, and keep properly for checking

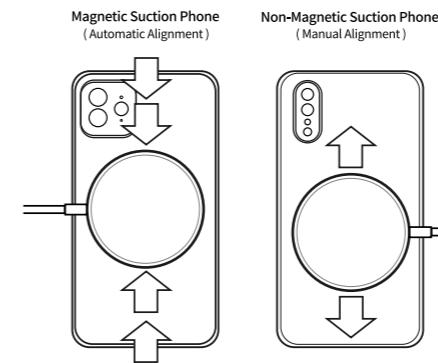


Characteristic

1. There is a ring of magnets inside the product, which can magnetically attract the phone;
2. This is an ultra-thin, small size product and convenient to carry;
3. This product is an integrated wireless charger, not need additional cable;
4. The input port USB specification is equipped with Type-C port;
5. This product supports 15W fast charging.

Features

Place the mobile phone with magnetic attraction function on the wireless charger, and the built-in magnet of the wireless charger will automatically align, accurately adsorb to the mobile phone, and start wireless charging; For other mobile phones without magnetic attraction function, place the center of the mobile phone at the center of the wireless charging to be wirelessly charged!



Specification

Output	15w(MAX)
Input	DC5V=2A 9V=2.2A
Frequency	110-205KHZ
Efficiency	≥75%
Size	Ø57.8*7.7mm

Attention

1. Do not squeeze or collisions.
2. Do not disassemble or throw into fire or water, to avoid causing a short circuit leakage.
3. Do not use the wireless charger in high temperature, humidity or corrosive environment, avoid damaging the circuit and avoid leakage.
4. Do not close with magnetic stripe or chip card (ID card, bank card, etc.) to avoid magnetic failure.
5. Please keep the distance at least 20cm between implantable medical devices (pacemakers, implantable cochlear, etc.) and the wireless charger, to avoid potential interference with the medical device.
6. Take care of the children, to ensure that they won't play the wireless charger as a toy, to avoid unnecessary accidents.

NOTE: no power adapter, if you need, please purchase separately.

尺寸:60x90mmx5P

FCC Statement

This device complies with part 15 of the FCC rules. Operation is subject to the following two conditions: (1) this device may not cause harmful interference, and (2) this device must accept any interference received, including interference that may cause undesired operation.

Caution: Changes or modifications not expressly approved by the party responsible for compliance could void the user's authority to operate the equipment.

NOTE: This equipment has been tested and found to comply with the limits for a Class B digital device, pursuant to part 15 of the FCC Rules. These limits are designed to provide reasonable protection against harmful interference in a residential installation. This equipment generates and can radiate radio frequency energy and, if not installed and used in accordance with the instructions, may cause harmful interference to radio communications. However, there is no guarantee that interference will not occur in a particular installation. If this equipment does cause harmful interference to radio or television reception, which can be determined by turning the equipment off and on, the user is encouraged to try to correct the interference by one or more of the following measures:

- Reorient or relocate the receiving antenna.
- Increase the separation between the equipment and receiver.
- Connect the equipment into an outlet on a circuit different from that to which the receiver is connected.
- Consult the dealer or an experienced radio/TV technician for help important announcement

Radiation Exposure Statement

This device complies with FCC RF radiation exposure limits set forth for an uncontrolled environment. This transmitter must not be co-located or operating in conjunction with any other antenna or transmitter. During the operation of device a distance of 15 cm surrounding the device and 20 cm above the top surface of the device must be respected.