

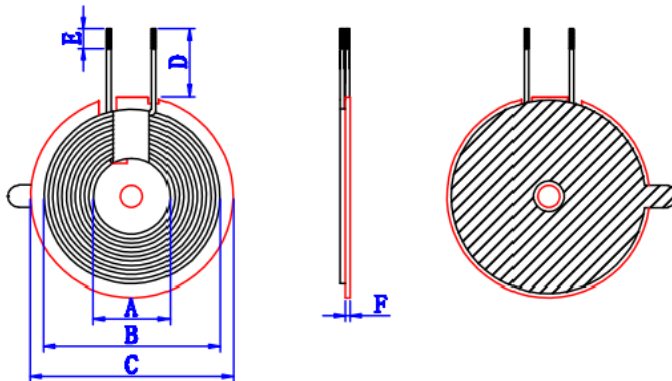
东莞市德弗力五金电子材料有限公司
Dongguan city DFL Electronic Technology Co.,LTD

SPECIFICATION

Type: DESC	AKEO-Y17X38-15-FR	Version Rev:A	Customer:	AKE
			Description:	Coil + hard magnetic
			Date:	20201119

一、尺寸DIMENSION: (mm)

A	17.0±1.0
B	38.0±1.5
C	44.0±1.0
D	15.0±2.0
E	3.0±1.5
F	0.8±0.15
G	
H	
I	
J	
K	
L	



Note:

1. The coil is attached to the circular hard magnetic disc with holes and double slots
2. Wrap 8MM of high-temperature tape around the cable outlet position
3. Tape the back of the magnetic disc with ear white glue
4. Do not loosen the coil
5. Inductance 6.8uH±10% Magnetized sheet@100KHz/1.0V