

# SPECIFICATION

*Shenzhen Feixin Wireless Communication*



*Shenzhen Feixin Wireless Communication Co., Ltd.*

## **433MHz PCB board antenna**

**(178 wire L130MM SMA internal thread internal pin)**

Product specification

# catalogue

1.Product picture.....	3
2.Product parameters.....	3
3.S11 Data .....	4
4.Apple chart.....	5
5.Product structure diagram.....	7

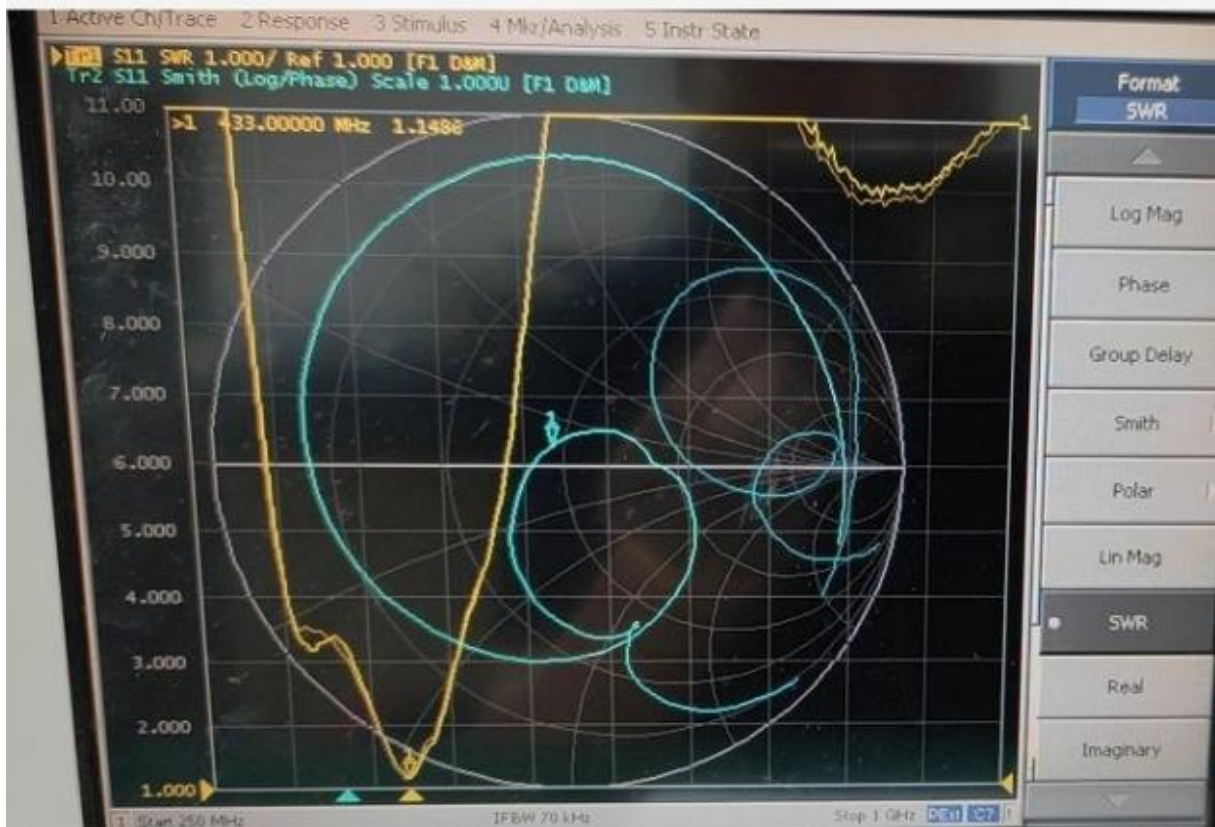
## 1. Product picture (The picture is for reference only, and the actual object shall prevail)



## 2. Product parameters

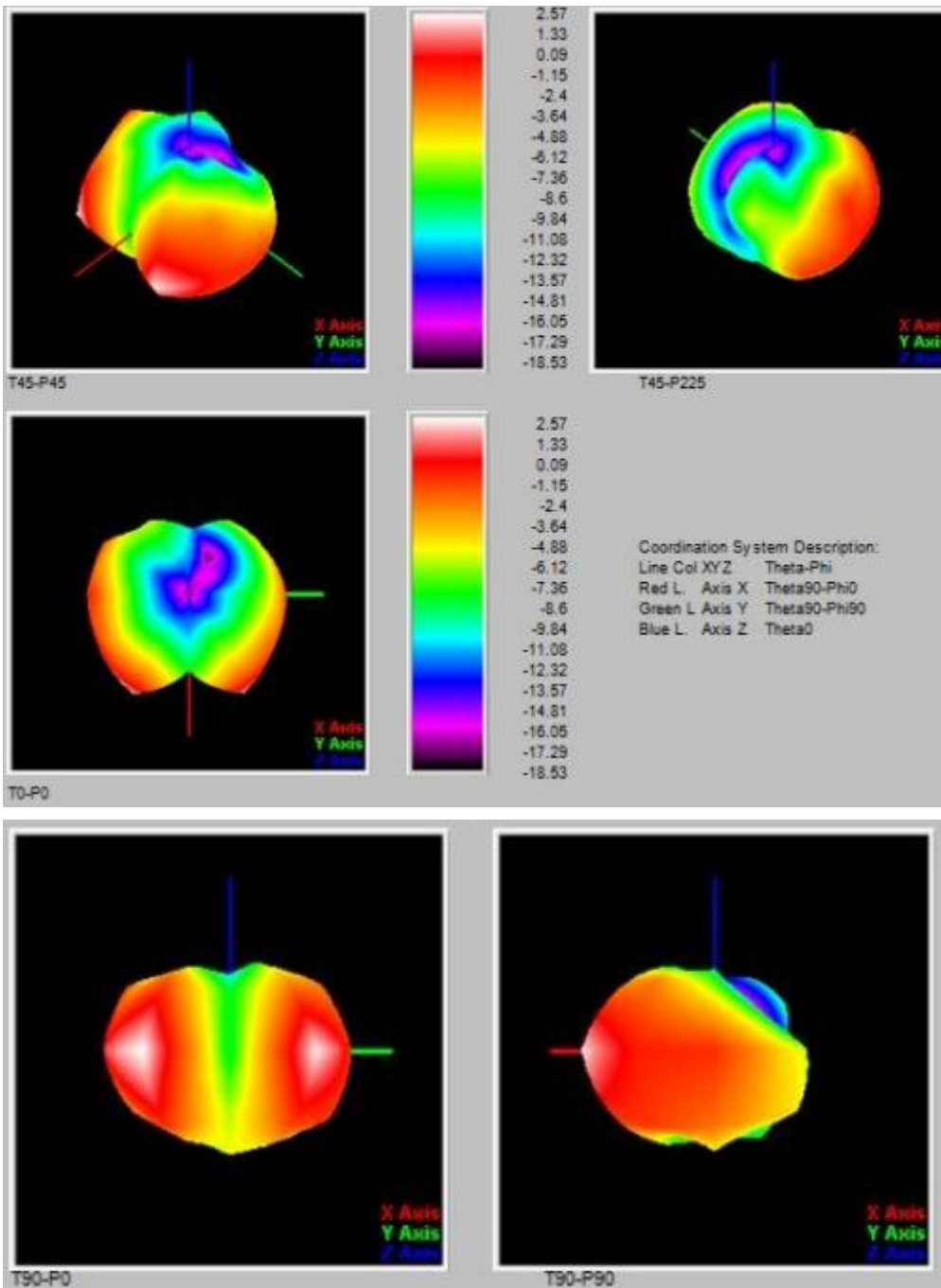
<b>Product test parameters</b>			
<b>Name</b>	<b>433 PCB antenna</b>	<b>Model Type</b>	<b>FX-433-PCB-178-L130-SMA-J</b>
<b>Electrical Specifications</b>			
Frequency Range	433MHz	Polarization	vertical
Impedance	50 $\Omega$	Radiation direction	Omnidirectional
VSWR	$\leq 3.0$	Power	50W
Gain	2	Bandwidth	10MHz
<b>Mechanical Specifications</b>			
<b>Dimensions</b>	40*7.5* $\pm 1$ mm	<b>ANT Color</b>	green
<b>Connector</b>	SMA-J	<b>Cable Length</b>	\
<b>Antenna material</b>	PCB		
<b>(Working Temperature</b>	-40 $^{\circ}$ C-+85 $^{\circ}$ C	<b>Limit Temperature</b>	-40 $^{\circ}$ C-+85 $^{\circ}$ C

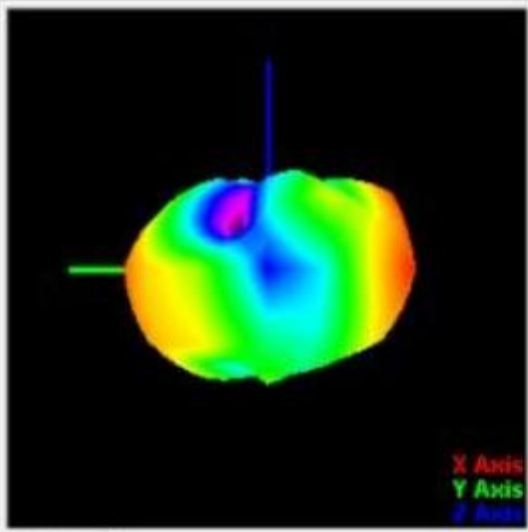
### 3.S11 ( VSWR 、 Return loss ) Data



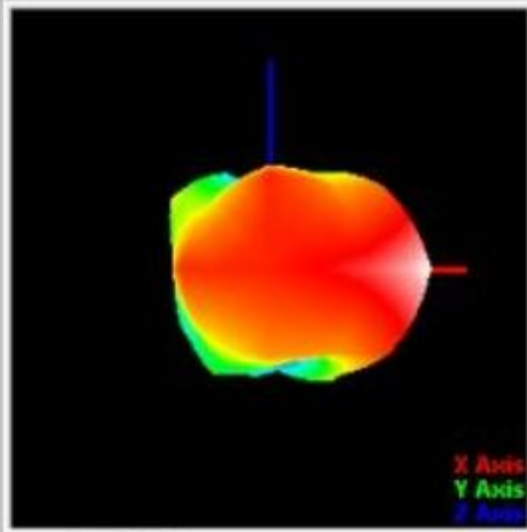
<b>VSWR</b>	<b>1.11</b>
<b>Return loss</b>	<b>-20.34</b>

## 4. Apple chart

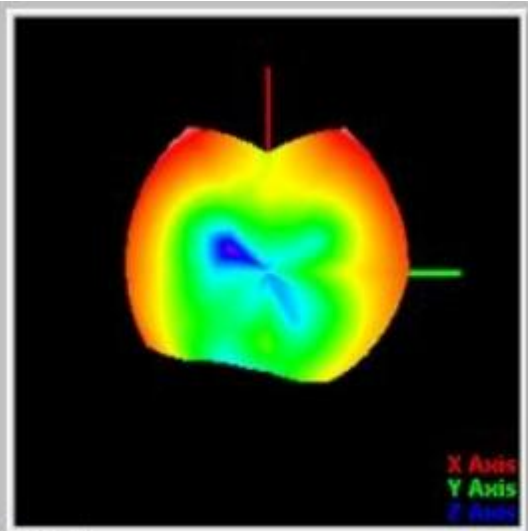




T90-P180



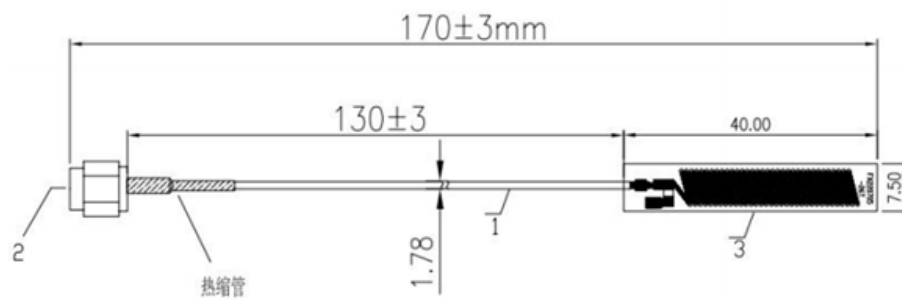
T90-P270



T180-P0

## 5. Structural drawings

---



- Material Science  
1. 1.78 brown RF cable  
2. SMA internal thread internal needle  
3. PCB board  
.....