

# Mesh Router

LCE4121S

## Quick Start Guide

# WELCOME

## TO THE MESH ROUTER

This document will serve as a quick start guide for Mesh Router. Carefully read the following safety symbols to help you use your router safely and correctly.

- Additional information
- Optional methods or shortcuts for an action
- Potential problems or conventions that need to be specified

### Package Contents

Please check the package contents before installation:

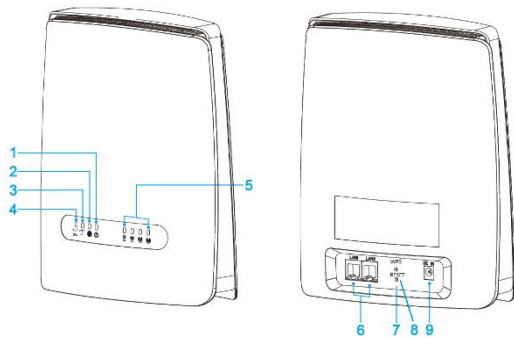
- Mesh Router
- Quick Start Guide
- Power adapter
- Ethernet cable

If you find any missing or damaged, please contact your local vendor.

## GETTING STARTED

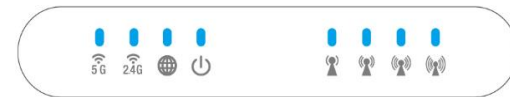
The figures provided in this document are just for reference only, please prevail in kind.

### Equipment Appearance



1	POWER Indicator	4	5G WiFi Indicator	7	Reset Button
2	Internet Indicator	5	Signal Indicator	8	WPS
3	2.4G WiFi Indicator	6	LAN1, LAN2/WAN Port	9	Power Port

## LED INDICATION



Indicator	Status	Description
WiFi 5G	Steady on	5G Wi-Fi available
	Off	5G Wi-Fi unavailable
	Blinking (500ms interval)	Data transmission
WiFi 2.4G	Steady on	2.4G Wi-Fi available
	Off	2.4G Wi-Fi unavailable
	Blinking (500ms interval)	Data transmission
INTERNET	Steady on	Internet Available
	Off	Internet Unavailable
POWER	Steady on	Power on
	Off	No power supply
SIGNAL	Steady on	Mesh connected
	Off	No Signal
	All SIGNAL LED Blinking (1s interval)	Agent status/Mesh connecting.
	Blinking one by one	Firmware upgrade

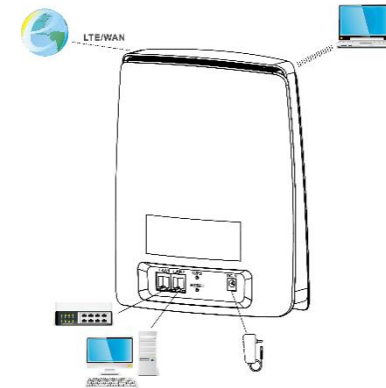
## INTERFACE AND BUTTON



Interface & button	Description
DC IN	DC power input port
LAN1 LAN2/WAN	Connect computer, switches (non-Poe devices) or other LAN devices
RESET	Press 1s to reboot device. Press 5s and more, Router will restore to factory mode. <b>⚠ You will lost user defined setting once you reset router. So, be cautious to click Reset Button.</b>
WPS	Quick set up for Wi-Fi connection or Mesh link

## HARDWARE CONNECTION

The figure is just for reference only, please connect the hardware according to your requirements.



- Step 1 Connect the supplied power adapter to the router.
- Step 2 Establish Mesh network link to LCE4121M CPE, Or Connect to internet router/Switch via LAN2/WAN.
- Step 3 Connect other devices.  
You can connect your computer or classic Switch via Ethernet cable to LAN1 port.  
You can connect your laptop via Wi-Fi.

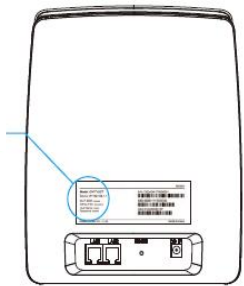
## SET UP ROUTER

### Login to the Web Management Page

Use a browser to log into the web management page to configure and manage the router.

- Step 1 Connect the router properly.If you connect to device via Ethernet cable, please make sure connect to LAN1.
- Step 2 Launch Internet Explorer, enter http://192.168.1.1 in the address bar, and press Enter.
- Step 3 Input the username and password to login.

IP address



## WI-FI SETTING

- Step 1 Connect the router properly.
- Step 2 Log in to the web management page http://192.168.1.1.
- Step 3 Chose Settings>Wi-Fi >WLAN Setting.
- Step 4 In the General Settings area, set WLAN to Enable.
- Step 5 In the Setting area, modify the SSID, such as "Xlink-Router".
- Step 6 To ensure your data safety, it is recommended that you change the default Wi-Fi password.
- Step 7 Click Submit to save the configuration.

General Settings	SSID Profile
Band: 2.4GHz	SSID: X-LINK-LCE4121M-319D
WLAN: <input checked="" type="checkbox"/>	Maximum number of devices: 128
Mode: 802.11b/g/n/ax mixed	Hide SSID broadcast: <input type="checkbox"/>
Channel Bandwidth: 20/40 MHz	AP Isolation: <input type="checkbox"/>
Channel: Auto	Security: WPA2-PSK(WPA3-SAE)
Tx Power: 25	WPA encryption: AES(recommended)
	Show password: <input type="checkbox"/>
	Password: <input type="password"/>
	<input type="button" value="Submit"/> <input type="button" value="Cancel"/>

## MESH SETUP

### Scenario 1: LCE4121M is Master router and LCE4121S is Slave router.

- Step 1 Make sure all the devices is under manufacture status.
- Step 2 Log in LCE4121M, and go to SETTINGS >Wi-Fi >Mesh:  
Enable mesh and set LCE4121M Mesh role to "Controller" and submit.
- Step 3 Log in LCE4121S, and go to SETTINGS >Wi-Fi >Mesh:  
Enable mesh and set LCE4121S Mesh role to "Agent" and submit.
- Step 4 Push WPS button once on both Controller and Agent devices, and Wi-Fi led start blinking. After the mesh is established, the signal LEDs will turn to steady on.

### Scenario 2: Multiple LCE4121S setup mesh network.

- Step 1 Make sure all the devices is under manufacture status.
- Step 2 Chose one LCE4121S as a controller (master router) and others are Agents(slave routers).
- Step 3 Log in LCE4121S(master router) WebUI, and go to SETTINGS >Wi-Fi >Mesh.Enable mesh and set LCE4121S

- Step 4 Mesh role to "Controller" and submit.  
Log in other LCE4121S(slave router) WebUI, and go to SETTINGS >Wi-Fi >Mesh.Enable mesh and set LCE4121S Mesh role to "Agent" and submit.(It can not access to WebUI after you set device to Agent)

## FAQs

### Can not access to WebUI?

If your device was set to Agent, you can't not access to WebUI, Please reset device and try.

### Master Router can not get IP from WAN port?

Please make sure your device is work under controller mode.

Log in to WebUI http://192.168.1.1 and go to SETTINGS > Ethernet > Ethernet Settings and set Connection Mode to :Dynamic IP .

This product has reached the standard of shipment inspection.



### Notice

Some features of the product and its accessories described herein rely on the software installed, capacities and settings of local network, and may not be activated or may be limited by local network operators or network service providers, thus the descriptions herein may not exactly match the product or its accessories you purchase.

Leax Arkivator Telecom USA Inc. reserves the right to change or modify any information or specifications contained in this manual without prior notice or obligation.

## FCC Compliance Statements

This device complies with Part 15 of the FCC Rules. Operation is subject to the following two conditions: (1) this device may not cause harmful interference, and (2) this device must accept any interference received, including interference that may cause undesired operation.

Note: This equipment has been tested and found to comply with the limits for a Class B digital device, pursuant to Part 15 of the FCC Rules. These limits are designed to provide reasonable protection against harmful interference in a residential installation. This equipment generates, uses and can radiate radio frequency energy and, if not installed and used in accordance with the instructions, may cause harmful interference to radio communications. However, there is no guarantee that interference will not occur in a particular installation.

If this equipment does cause harmful interference to radio or television reception, which can be determined by turning the equipment off and on, the user is encouraged to try to correct the interference by one or more of the following measures:  
-- Reorient or relocate the receiving antenna.

-- Increase the separation between the equipment and receiver.  
-- Connect the equipment into an outlet on a circuit different from that to which the receiver is connected.  
-- Consult the dealer or an experienced radio/TV technician for help.

Caution: Changes or modifications not expressly approved by the party responsible for compliance could void the user's authority to operate the equipment.

This transmitter must not be co-located or operating in conjunction with any other antenna or transmitter. This equipment should be installed and operated with minimum distance 20cm between the radiator and your body.