

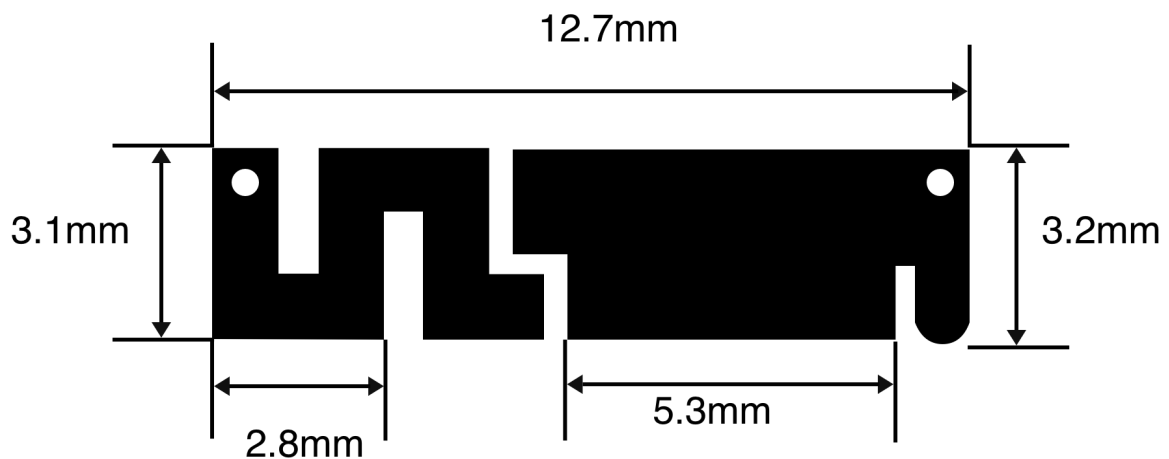
# Inverted F Antenna Specification

## Summary

ITEM	ANT SPEC					
Model Name	WIFI 2.4G ANT					
Center Frequency	Horizontal			Vertical		
	2400MHz	2450MHz	2500MHz	2400MHz	2450MHz	2500MHz
	-1.26	-0.76	-0.58	-5.25	-2.46	-1.86
MAX. Gain	-0.58dBi					
Polarization	Horizontal and Vertical					
Azimuth Beam Pattern	Omni-directional					
Impedance	50 Ohm					
Antenna Length	38.20mm					
Manufacture	SHENZHEN MASNO TECHNOLOGY CO.,LTD					

ITEM	ANT SPEC					
Model Name	WIFI 5G ANT					
Center Frequency	Horizontal			Vertical		
	5180MHz	5240MHz	5805MHz	5180MHz	5240MHz	5805MHz
	-1.26	-0.76	-0.58	-5.25	-2.46	-1.86
MAX. Gain	-0.58dBi					
Polarization	Horizontal and Vertical					
Azimuth Beam Pattern	Omni-directional					
Impedance	50 Ohm					
Antenna Length	38.20mm					
Manufacture	SHENZHEN MASNO TECHNOLOGY CO.,LTD					

## Antenna Photo & Length (mm)



Horizontal: 5180 MHz 5240 MHz 5805 MHz

Power (dBm)

Max: 0 Min: -40 Scale: 5/div

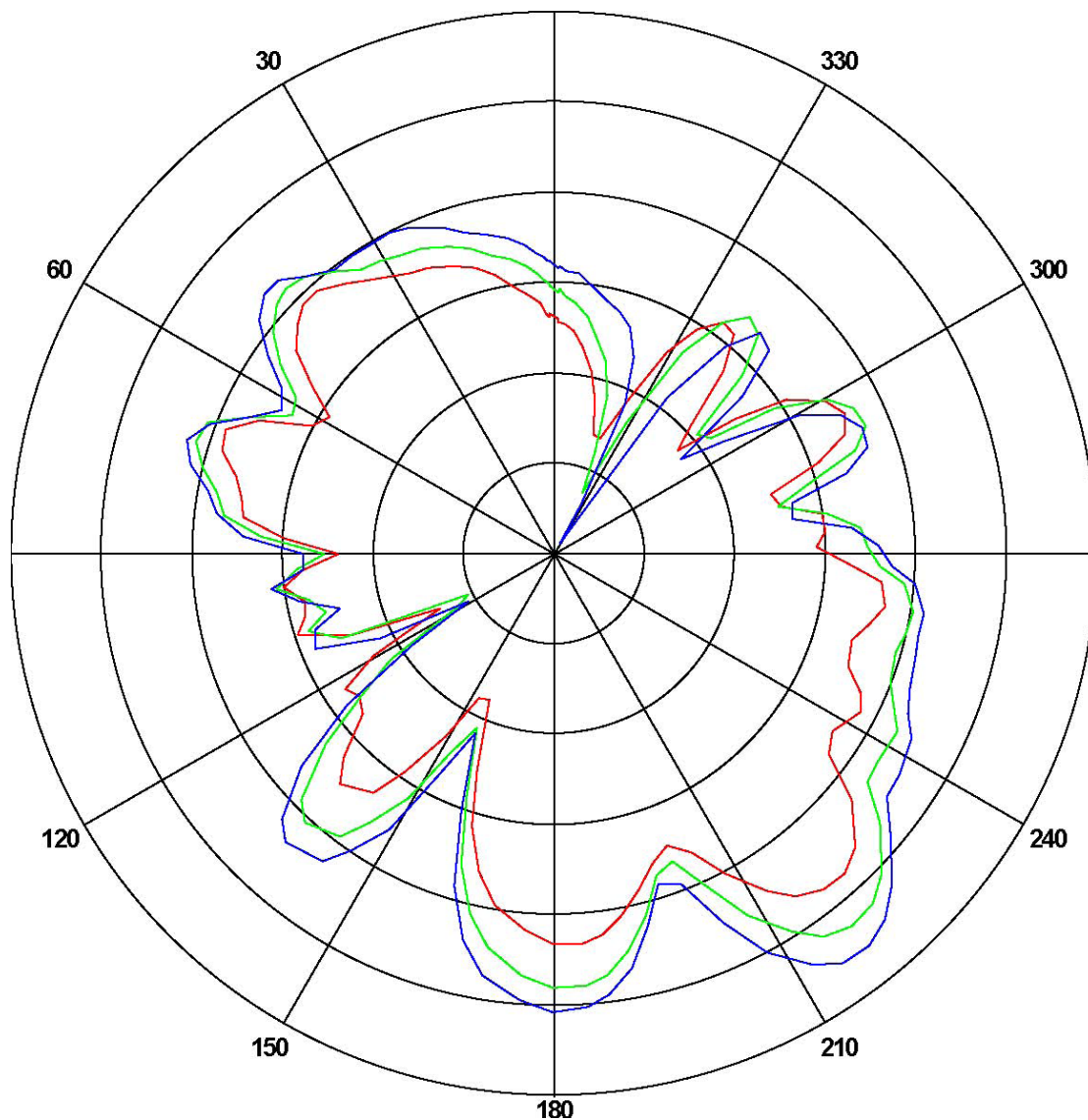


Frequency (MHz)	Gain(dBi)		
	Max	Min	Avg
5180	-1.26174	-30.0801	-7.18716
5240	-0.765802	-36.5604	-7.48023
5805	-0.585582	-22.0315	-6.59127

Vertical: 5180 MHz 5240 MHz 5805 MHz

Power (dBm)

Max: 0 Min: -30 Scale: 5/div



Frequency (MHz)	Gain(dBi)		
	Max	Min	Avg
5180	-5.2537	-22.1424	-12.4294
5240	-2.4652	-24.5837	-10.4702
5805	-1.86120	-29.5214	-9.20432

ANT Test Labs: Attestation of Global Compliance Co., Ltd.