

Manual

Before installation

Note: Remove all packaging materials from the product.

The included mounting material (screws and wall plugs) is suitable for ordinary solid concrete or masonry construction. Check which mounting material is suitable for your chosen mounting surface. If necessary, seek expert advice.

Installation

Note:For best effect,the security light should be installed at a height of 1.8-2.1m above ground level.

Installing the security light

- Loosen the screw at the bottom of the light and remove the wall bracket.
- Drill two mounting holes in the wall bracket using an appropriately sized drill bit for mount screws
- Hold the wall bracket against the surface it is to be mounted onto and screw it in place using 2 mounting screws.
- Note:if the mounting surface requires the use of wall plugs(e.g.brick or concrete)or pre-drilling(e.g. hard wood),first mark and drill pilot holes in the wall using the wall bracket as a template.

Installing the solar panel.

- Ensure that the solar panel is angled so that it receives the maximum amount of sun exposure.
- Mark and drill 3 holes in the location where you want yo mount the solar panel.Use the mounting base template on the bottom of the solar panel to make your marks.
- Inert anchors(included)in the holes.
- Place the mounting base over the holes and slide the screws through the solar panel base and into the anchors.Tighten the screws.

Operation

How to use control dials.

The spotlight has2 different control dials which allow you to adjust the settings these control dials can be located underneath the motion detector head.

- Sensitivity to light(LUX)

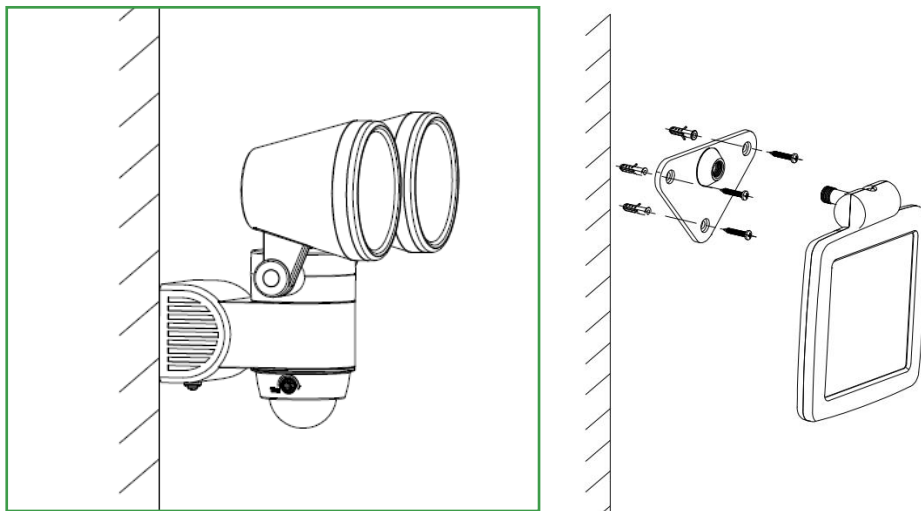
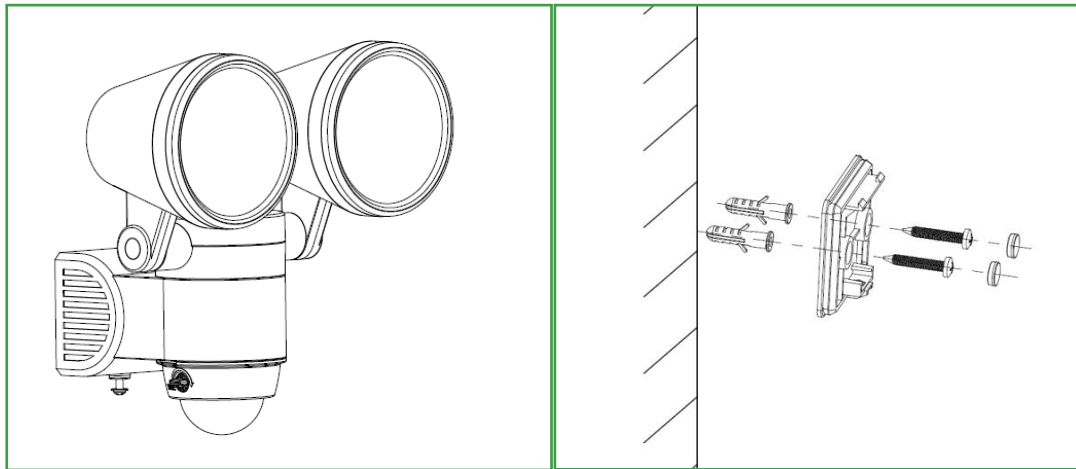
- The light duration once motion has been detected(Time)

LUX:This is the level of darkness reached before the light turn on.

If set to maximum level,the light will turn on in most situations ranging from dusk to daylight.

If set to minimum level,the light will turn on in the dark.This is the most ideal position for general evening and night operation.

Time:This dial will set the duration of the time the light will stay illuminated for after motion has been detected.The time can be adjusted from 3 seconds to 7 minutes.Rotating the dial clockwise will extend the time the lamp is illuminated.



FCC Statement

This equipment has been tested and found to comply with the limits for a Class B digital device, pursuant to Part 15 of the FCC Rules. These limits are designed to provide reasonable protection against harmful interference in a residential installation. This equipment generates uses and can radiate radio frequency energy and, if not installed and used in accordance with the instructions, may cause harmful interference to radio communications. However, there is no guarantee that interference will not occur in a particular installation. If this equipment does cause harmful interference to radio or television reception, which can be determined by turning the equipment off and on, the user is encouraged to try to correct the interference by one or more of the following measures:

- Reorient or relocate the receiving antenna.
- Increase the separation between the equipment and receiver.
- Connect the equipment into an outlet on a circuit different from that to which the receiver is connected.
- Consult the dealer or an experienced radio/TV technician for help.

Changes or modifications not expressly approved by the party responsible for compliance could void the user's authority to operate the equipment.