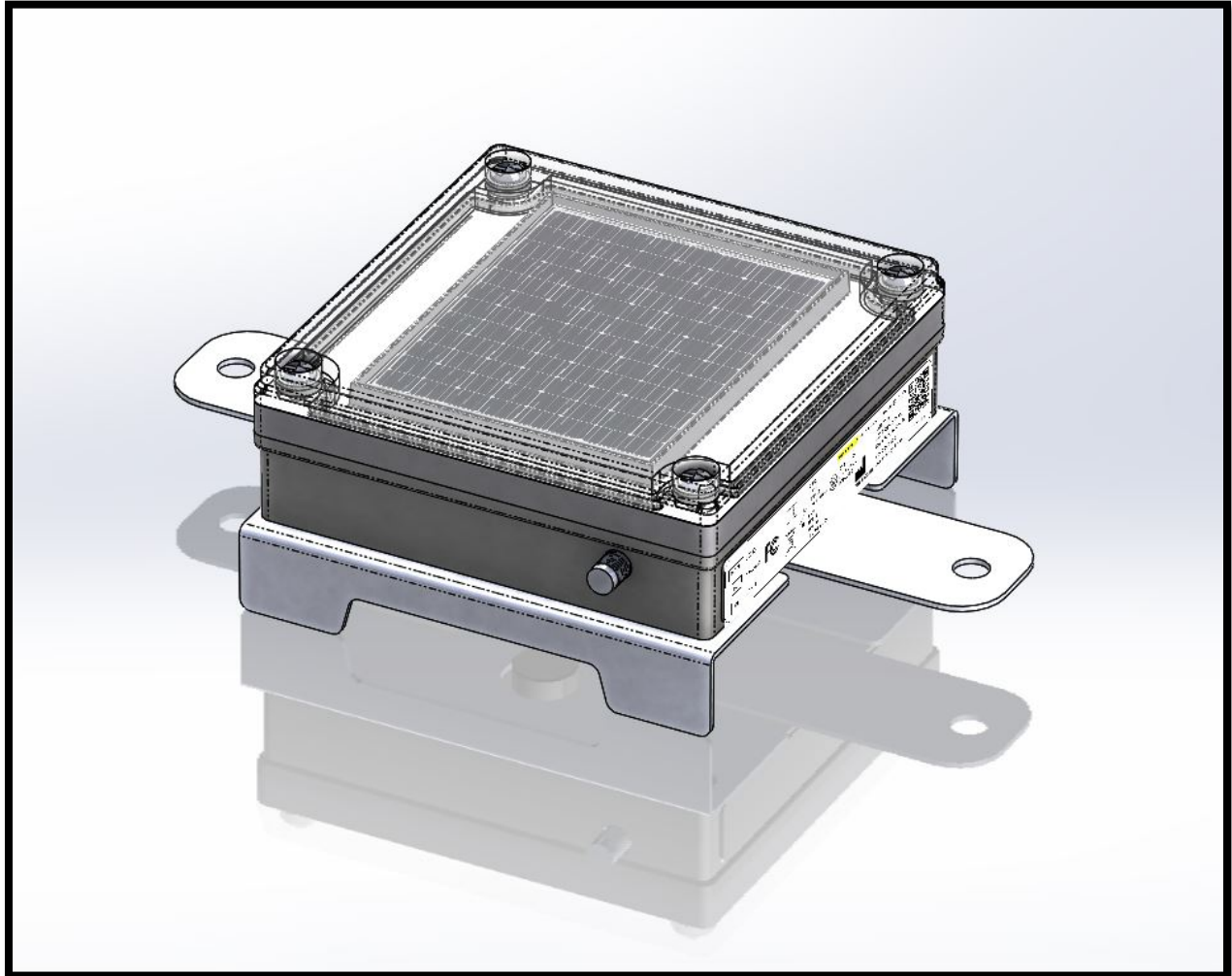




SMRTGrid Operator's Manual

Operator's Manual for SMRTGrid Line Beacon

SMRTGrid Beacon





CONTENTS

- Getting Started 3
 - Safety Notice 3
 - Necessary Inspection..... 3
- Technical information 4
 - Serial number location 5
 - Serial Number Details 5
- Unpacking 6
 - SMRT Grid Components..... 7
- Installing Beacon 1
- Powering On Your Device 2
- Contact Us..... 3



GETTING STARTED

Safety Notice

SMRTGrid beacons should be serviced and installed by Authorized personnel only.

Under no circumstances attempt to dismantle, open, or tamper with SMRTGrid beacon.

COPYRIGHT

SMRTGrid reserves the right to modify or change part of or all the specifications and pricing policies at company's sole discretion.

Information in this publication replaces all previous corresponding material.

NOTE: SMRTGrid and the SMRTGRID logo are registered trademarks of **SMRTGrid Inc.**

NECESSARY INSPECTION

1. Inspect the shipping container for damage.

Keep the damaged shipping container or cushioning material until the contents of the shipment have been checked for completeness and the SMRTGrid device has been checked and deemed functional.

2. Inspected the SMRTGrid device

In case of any mechanical damage or defect, notify SMRTGrid. If the shipping container is damaged, or the cushioning materials show signs of stress, notify the carrier as well as SMRTGrid. Keep the shipping materials for the carrier's inspection.

3. Check the accessories

Please check the accessories according to the "Unpacking" section. If the contents are incomplete or damaged, notify SMRTGrid.

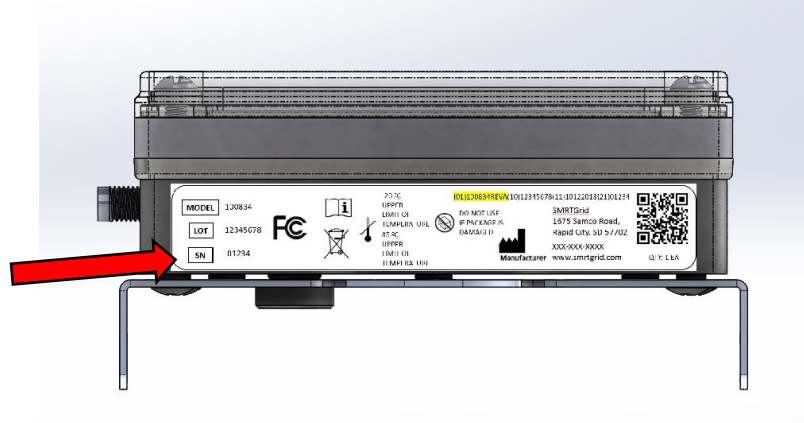


TECHNICAL INFORMATION








Criteria	Values
Power	<ul style="list-style-type: none"> 3 Ni-MH cells Rechargeable via solar panel Min. 72+ hrs. of operation with no sunlight
Cell Modems	<ul style="list-style-type: none"> Verizon LTE LTE Cat M1 Link to server/cloud
Communications	<ul style="list-style-type: none"> 802.15.4 Bluetooth LoRa Module
Life Expectancy	<ul style="list-style-type: none"> 7+ Years
Sensors	<ul style="list-style-type: none"> Gyroscope Accelerometer Magnetometer
Operating Conditions	<ul style="list-style-type: none"> -20°C to 85°C Humidity levels up to 95%
Processor	<ul style="list-style-type: none"> ARM
Memory	<ul style="list-style-type: none"> 256+ Mb Quad-SPI Flash 1+ SDIO Card
FCC	<ul style="list-style-type: none"> Per FCC 15.19(a)(3) and (a)(4) This device complies with part 15 of the FCC Rules. Operation is subject to the following two conditions: (1) This device may not cause harmful interference, and (2) this device must accept any interference received, including interference that may cause undesired operation. Per FCC 15.21, Changes or modifications not expressly approved by SMRTGrid, Inc could void the user's authority to operate the equipment.

SERIAL NUMBER LOCATION

Individual SMRTGrid serial numbers are located on the lower left portion of the identifying label.



SERIAL NUMBER DETAILED VIEW

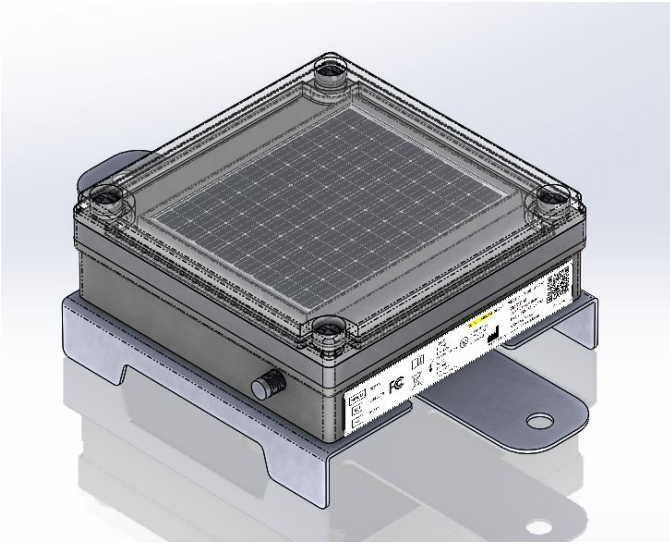
CAT	100834	  	-20 °C UPPER LIMIT OF TEMPERATURE		 DO NOT USE IF PACKAGE IS DAMAGED	 SMRTGrid 1675 Samco Road, Rapid City, SD 57702 XXX-XXX-XXXX www.smrtgrid.com	
LOT	12345678		85 °C UPPER LIMIT OF TEMPERATURE	Manufacturer			
SN	01234		QTY: 1 EA				

UNPACKING

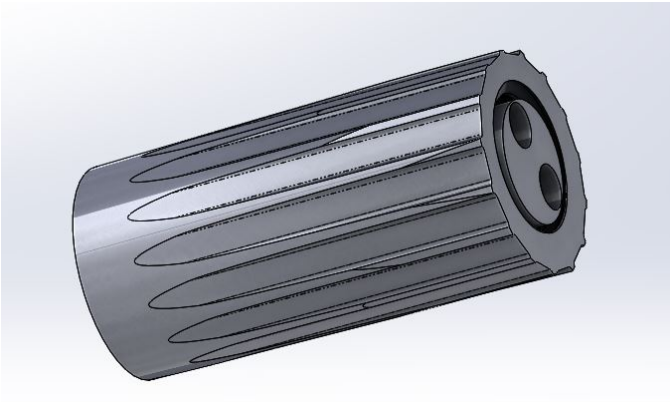
Carefully unpack the mailer box and confirm following parts are included:

that the

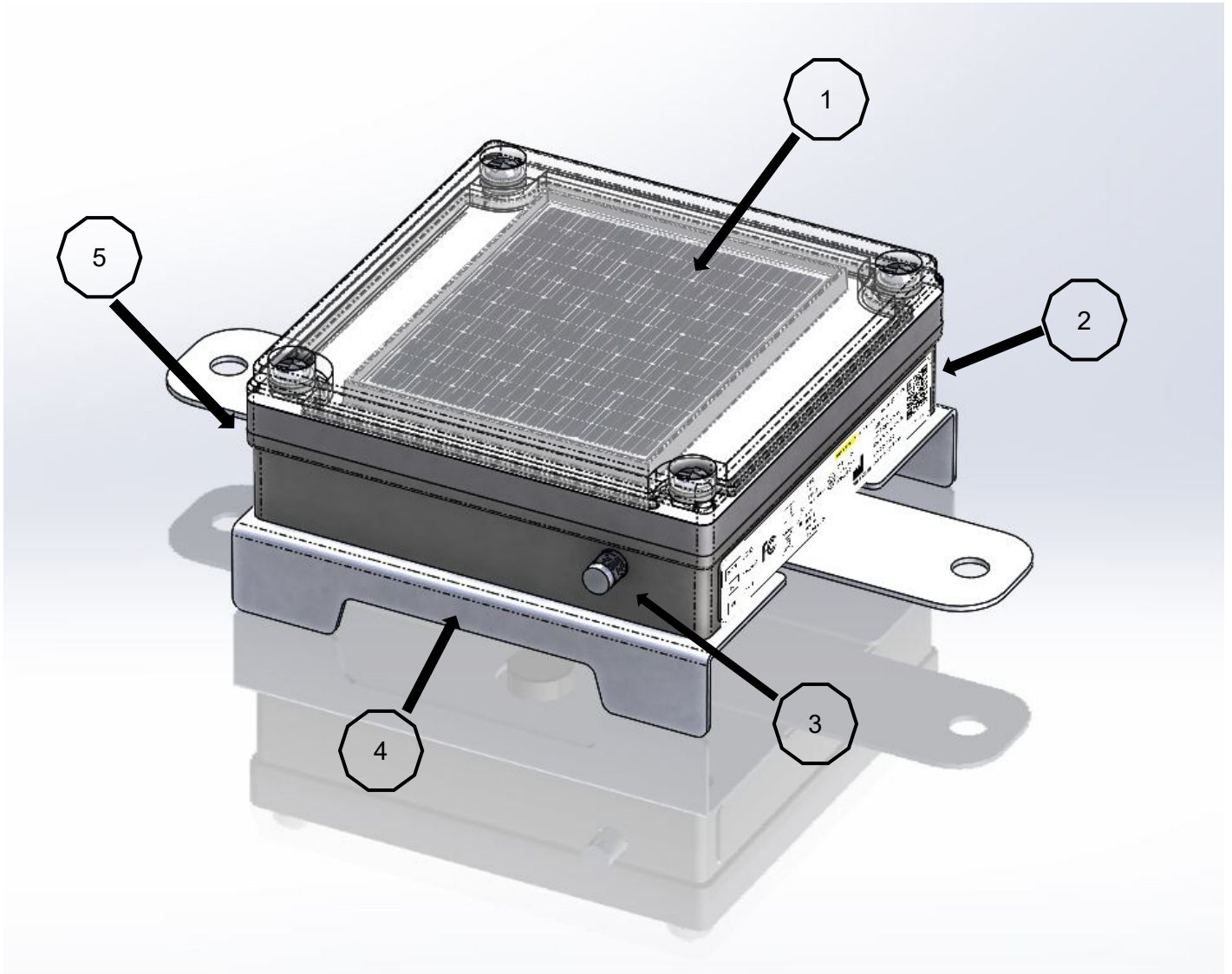
1. SMRTGrid Beacon



2. Activation Dongle



SMRT GRID COMPONENTS



- 1. Solar Panel
- 2. Identification Label
- 3. External Power Interface Connector
- 4. Mounting Bracket
- 5. NEMA 4X, 10 Year Enclosure

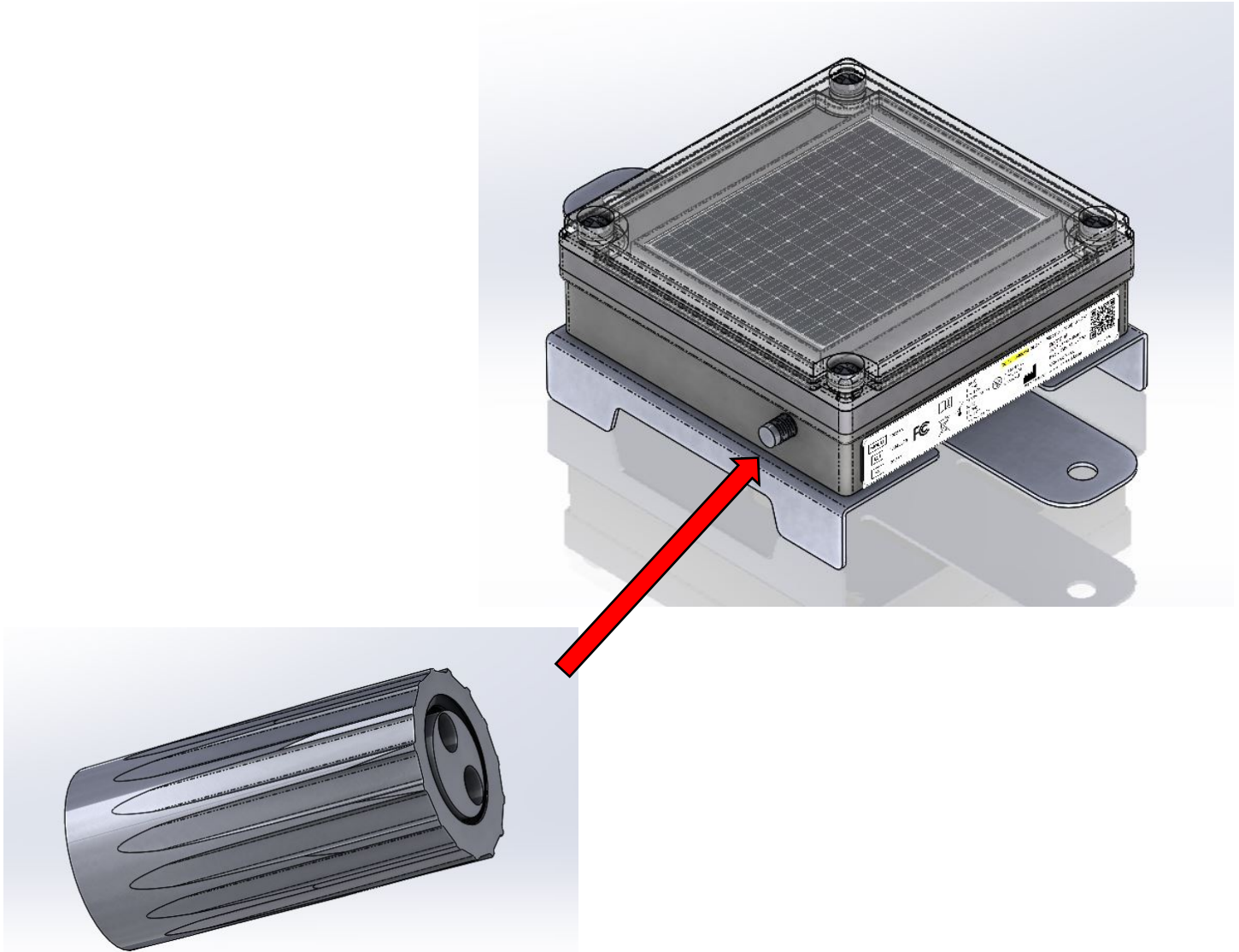
INSTALLING BEACON

- Align bracket tabs perpendicular to utility pole
- Fold mounting tab until flush with pole
- Hammer lag bolts through beacon bracket
- Repeat for opposite side



POWERING ON YOUR DEVICE

1. At install, unit is powered on using the activation dongle on the power connector. The dongle is installed by aligning the pins and then screwing the dongle onto the connector. The beacon should then power on.
2. Verify the unit registers on the SMRTView web site with a data report that matches the serial number on unit.





TROUBLESHOOTING

For troubleshooting information, reference guide provided on www.SMRTGrid.com or contact SMRTGrid representative for further inquiries.

CONTACT US

If you have any problems or questions when installing or using SMRTGrid beacon, please contact SMRTGrid by visiting: www.SMRTGrid.com

In case of damaged or defective SMRTGrid beacon, request an RMA by visiting:
www.SMRTGrid.com/RMA