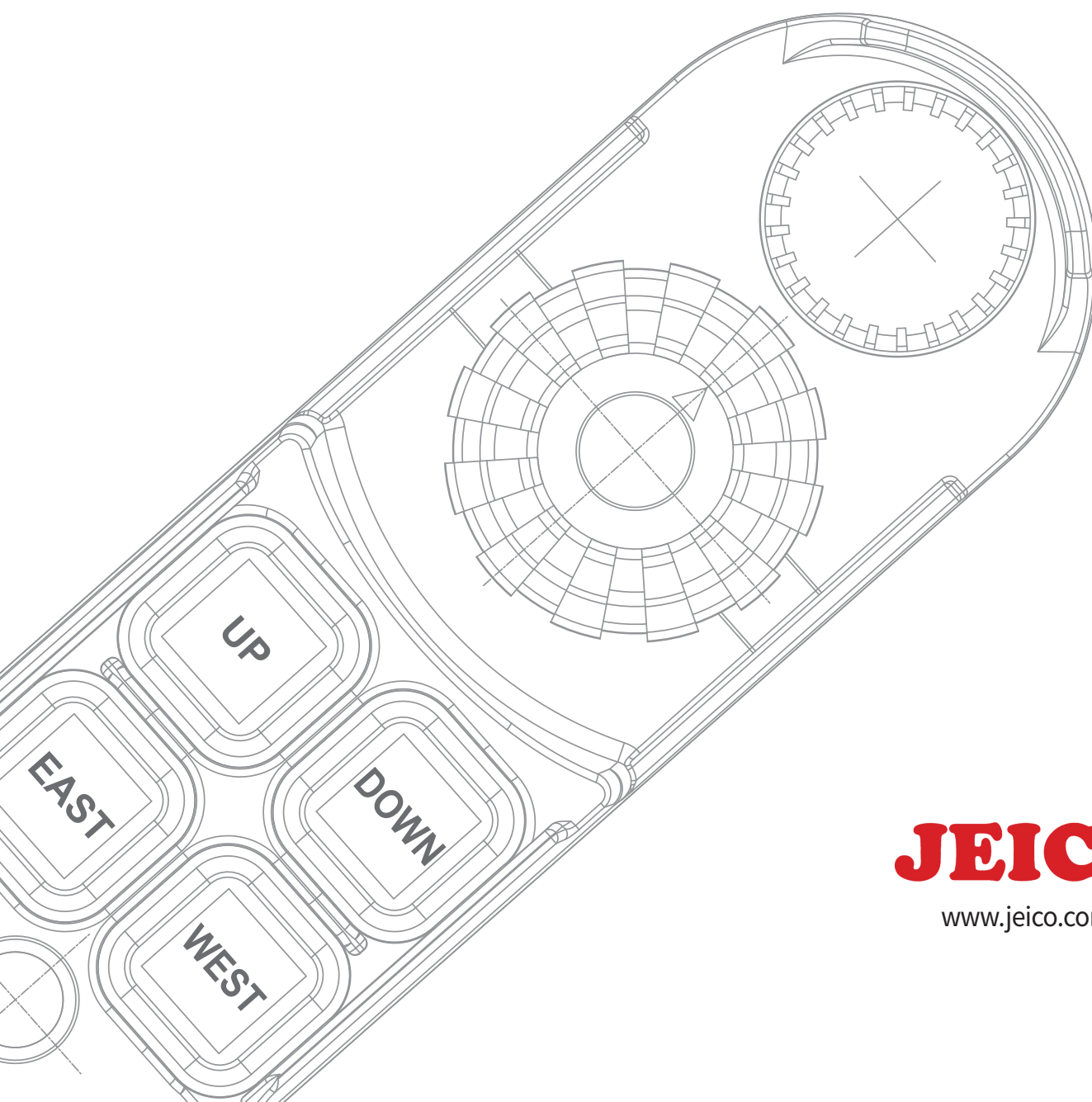


REMOTE CONTROL

JREMO 4L

O&M MANUAL



JEICO®

www.jeico.com

WARRANTY

JREMO® Remote Controllers must be handled, installed, operated, and maintained by (an) authorized and (a) qualified person(s), and

Upon the above condition guaranty period from the date of (delivery, installation, inspection) shall be one calendar year.

Subject to confirming defects not caused by improper installation, improper operation and/or insufficient maintenance, unauthorized modification, ignorance of environmental specifications, or improper interfacing, irresistible forces such as war(s), strike(s), Act(s) of God, and so on; all such the defects shall be treated as in no warranty.

JEICO® INDUSTRIAL REMOTE CONTROLLER		
MODEL	JREMO 4L	JREMO 4L
Serial No.		
Channel No.		
Lot No.		

PRECAUTIONS	04
CHAPTER I. GENERAL SPECIFICATIONS	06
1.1. COMMON SPECIFICATION	06
1.2 Transmitter (Tx)	06
1.3 RECEIVER (Rx)	06
1.4 Model Suffixing	06
CHAPTER 2. JREMO 4L Standard Set	07
2-1 Standard set	07
2-2 CONTROL CONTACTS WIRE DIAGRAMS	08
CHAPTER 3. INSTALLATION & FUNCTION SETTING	09
3-1 CAUTIONS FOR INSTALLATION	09
3-2 HOW TO INSTALL JREMO® SERIES TX	10
3-3 HOW TO INSTALL JREMO® SERIES RX	11
3-4 HOW TO START & USE PASSWORD(PWD)	12
CHAPTER 4. MAINTENANCE	13
4-1 STANDARD OPERATION	13
4-2 FUSES	13
CHAPTER 5. TROUBLESHOOTING	14
5-1 SELF DIAGNOSIS (LED SIGNAL ERROR MESSAGE)	14
5-2 LED Diagnosis	14
5-3 Troubleshooting	15
APPENDIX I - 433 BAND FREQUENCY TABLE	16
APPENDIX II - OPTIONAL ACCESSORIES	17

A. ANNOUNCEMENT

- This O&M Manual is for **JREMO 4L** and the specification is referred to Chapter 1.
- Before installation and operation look through this manual and make sure having a full acknowledgement of this manual.
- **JREMO**[®] series' remote controllers compose a High-Tech systemized, and a full knowledge of this manual is a must in advance of installation as well as operation of this remote controllers.
- Do not try to dismantle or unscrew **JREMO**[®] series except a skilful, an expert, and an authorized.
- This manual is for reference and good for installation and for maintenance, for better functions and qualities it may be changed, modified, revised without notice in advance. For more details consult an adjacent agent and/or supplier.
- Each and all the **JREMO**[®] series' remote controller is tested under severe condition and passed without any default found at factory and is ready for an immediate use for a normal/insufficient condition or so, however, in an emergency and/or in an any dangerous possibility, do not use.
- After use switch off the main power of the equipment(ex. winch) and confirm the receiver power off, and also confirm EMS button of the transmitter is in a pressed down position.
- When not in use stay the transmitter in a safety area and do not allow an unauthorized to attempt to use it.
- Equipment(ex. winch) using this remote controller must have main relays, limit switches, separate COM lines, and other appropriate devices for safety operation.
- When metal container for receiver casing is used make sure Ground(GND) to be sure connected to metal part of equipment(ex. winch).
- Do not use in a severe interfered area and/or lightening or so.
- Make sure power sources are correct.
- Power off and do not use during installation and/or maintenance so as to avoid any electric shock or so.
- Do not try to copy, modify, or release this remote controllers without permission in advance by **JEICO**, such an action is illegal. **JREMO**[®] series' remote controller have many international patents, certificates, and so on.

- Without notice in advance and within **JEICO**'s discretion this manual may be revised, added, and/or deleted for better use.

B. GENERAL CAUTIONS

- Every operator must be healthy both physically and mentally.
- Even though this remote controller is versatile, durable, and good for outdoor use try to avoid to contact directly by an excessive shock, pressure, wind, snow, rain, ices, or sunlight, high temperature, humid, gas, and etc.
- During operation when found power is weak Recharge battery by using of a suitable charger.
- When not in use for a long time Make sure the transmitter is full charged before use.
- In an emergency follow up the below emergency measures.

C. EMERGENCY MEASURES

JREMO[®] Series has designed for safety, meeting with various kind of emergencies and for self-recovering. Billions of different I.D. code, Self-Diagnoses, super qualified and isolated protection against voltage surges and/or interferes, etc. are the basic integral functions for solving any unexpected accident or trouble in an emergency. So when such an emergent function is detected, **JREMO**[®] series will off the work immediately and stop all the function automatically.

For emergency follow up the below procedure in advance and then call an adjacent **JEICO**[®] agent and/or supplier for an emergency service.

1. Press down EMS Button(red mushroom button placed at top).
2. Power off receiver power. Power off main power of Equipment.
3. Inquire adjacent **JEICO**[®] agent and or supplier who can help.

Chapter 1. GENERAL SPECIFICATIONS

1.1. COMMON SPECIFICATION

- Frequency Ranges & Channel Numbers
433 Bands : 433.050~434.7750 Mhz, 70 channels

- I.D. Code : 2^{32} (Over 4 Billion)
- Temperature : -10 °C ~ +60 °C
- Remote Distance : 30 ~ 150 M.
- Case Construction : Glass-Fiber
- Protection Grade : (Tx) IP55 / (Rx) IP66

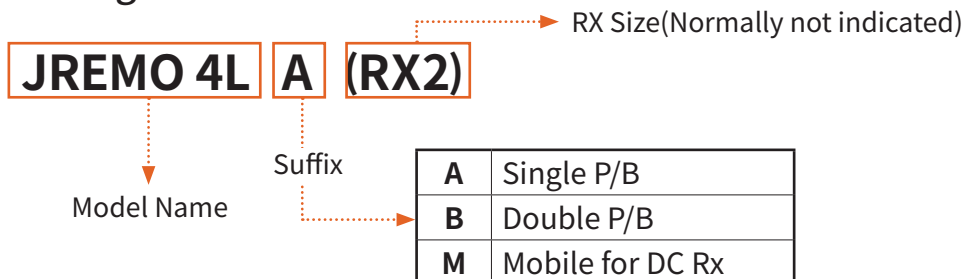
1.2 Transmitter (Tx)

- Modle : **JREMO 4L**
- Batt. Power : 3.7V/1,500mAh Li-Polymer Battery
- Type : Single or Double Push Button Type
- Size : 148 x 48 x 45 mm (L x W x H)
- Weight : Approx. 170/185/210 gr. (Battery)
- Volume : 0~5V (OPT. 10V , 4~20mA)

1.3 Receiver (Rx)

- Casing : **RX2**
- Power : AC110 or DC12~40V(OPT AC48V, DC 60V)
- Type : Remote Main Lamp on module
- Relay : AC =>“A” Contact, 250VAC/5A, 125VAC/10A
DC =>“A” Contact, 24VDC/15A, 120VAC/15A
- Size, mm : 90 x 152 x 105
- Weight, gr. : 950(Antenna & Power/Relay Cable Incl.)

1.4 Model Suffixing



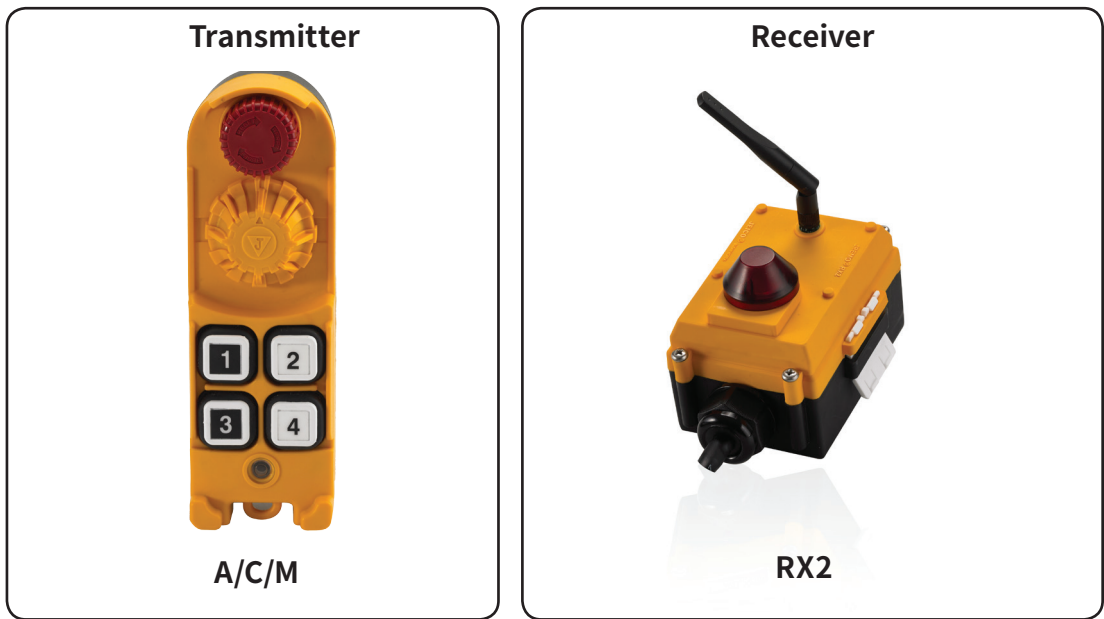
Note : Model name without suffix calls for with suffix A

CHAPTER 2. JREMO 4L Standard Set

JREMO 4L Standard Set comprises one transmitter and one receiver as following as a set

2-1 STANDARD SET

JREMO 4L



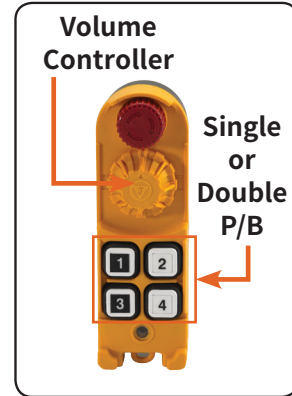
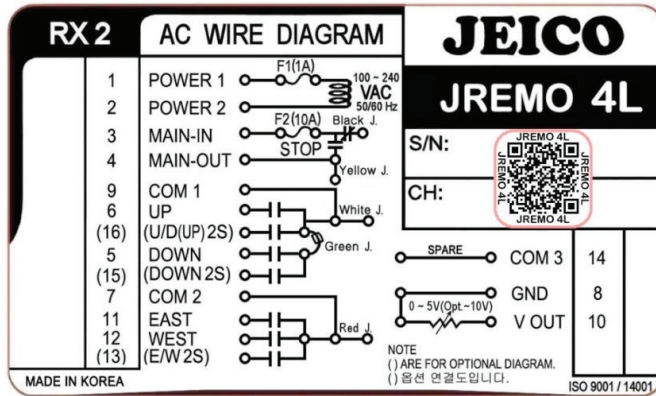
FUNCTIONS	MODEL NAME	RECEIVER
Standard Single P/B	: JREMO 4L A	⇒ RX2 (16 Core Cable)
2 or 4 Double P/B	: JREMO 4L B	⇒ RX2 (16 Core Cable)
Single P/B For D.C.	: JREMO 4L M	⇒ RX2 (16 Core Cable)

■ Tx Button Labelling can be in English, Chinese, Japanese, Spanish, or other languages or symbols upon request. and numbers 1 to 4 are standard labels if not required in advance

2-2 CONTROL CONTACT WIRE DIAGRAM

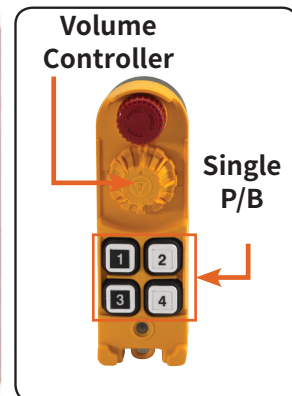
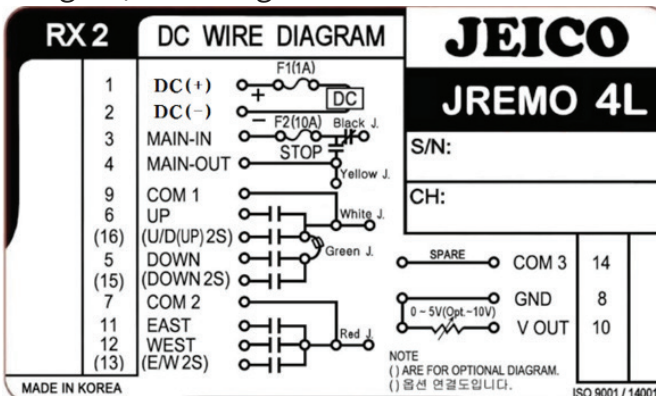
▪ JREMO 4L A & B

Standard Single & Double P/B AC Diagram



▪ JREMO 4L M

Single P/B DC Diagram



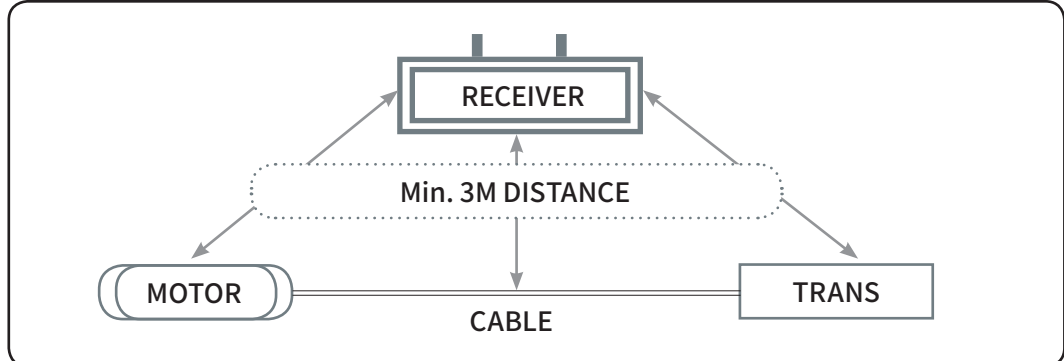
- RECEIVER : **RX2**
- SIZE : 90 x 152 x 105 mm, approx. 950 gr.
- CABLE SPEC. : 0.75 Sq, 600VAC, 16 Core, approx. 1.7 m long, numbered
- RELAY SPEC. : 250VAC/5A, 125VAC/10A "A" Contact
- INPUT POWER : AC 100~240V 60/60Hz
- FUSE SPEC. : 1A(F1) / 10A(F2), 20MM Column Fuse
- COMBINATION : Only for suffix **A** as an optional function.



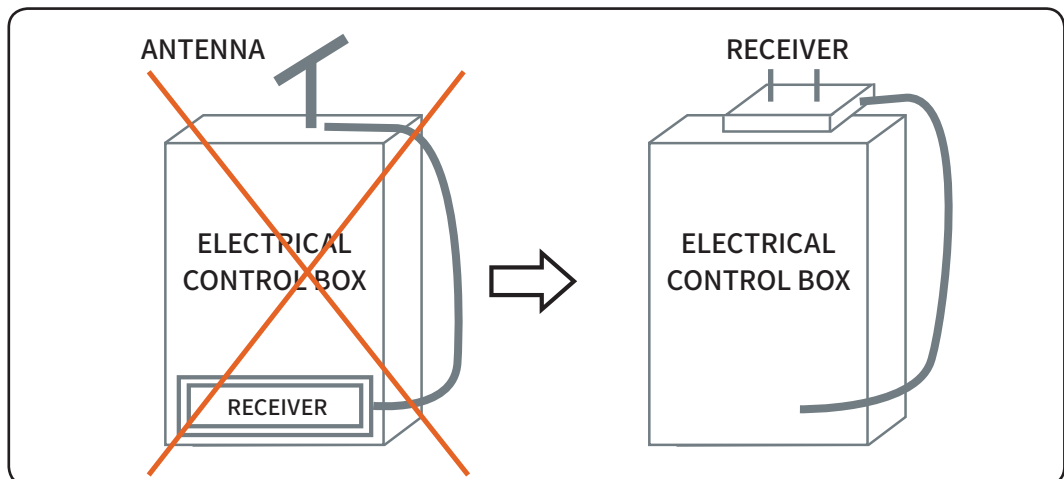
CHAPTER 3. INSTALLATION & FUNCTION SETTING

3-1 CAUTIONS FOR INSTALLATION

1. Follow up all the safety rule of equipment (ex. winch)
2. Switch off the main power of equipment (ex. winch) in a first action.
3. Install receiver where there will have any other obstructions.
4. Fix receiver firmly.
5. Use an optional external antenna in case receiver installs inside the metal closed box or electrical panel.
6. Check safety devices of equipment(ex. winch) before installation and confirm it is under utmost safety condition.
7. Do not try to install without gaining in skill for electrical circuit diagrams and operation circuits of equipment(ex. winch), remote controller's functions, etc for avoiding an unexpected accident, wrong functions, etc.
8. For avoiding any possible interferences install receiver far from motor and transducer as following illustration :



9. Install receiver top outside of electrical control box and installation in inside the control box is not a proper method.



3-2 HOW TO INSTALL JREMO® SERIES TX

3-2-1. BATTERIES

- A. Use only rechargeable Li-Polymer Battery, JEICO Pin No. JPTX_SCNE1500
When necessary for replacement as it is already built-in the trasnmitter.
- B. Precautions
 - 1. Do not try to replace battery unless not in use for a long time or completely Discharged as well as of no use.
 - 2. Check the power is normal with green LED light before use.
- C. Change of Battery
When found fully discharged and/or worn our battery itself and replace with new one.
- D. When not in use, Press down the EMS button for saving battery life and when not in use for a long time months or longer then disconnect battery and place it separately in a cool and safe area.

3-2-2. FUNCTION SETTING & COPYING

In case to change either Tx or Rx, or modify functions its mating transmitter and receiver must be identical and set both at the same time for sure identification. Function settings can be done either by the copier or by PC software, or from direct Rx-Rf at Rx to/from Tx. Either method is an optional.

A. Function set by Copier

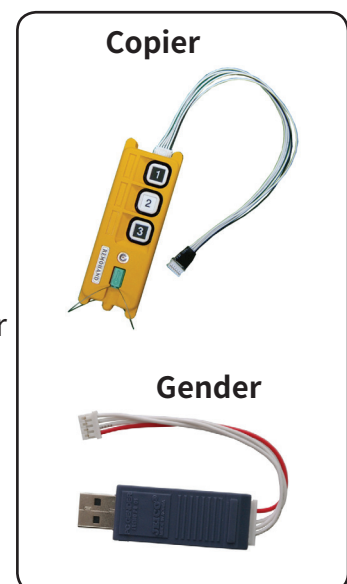
- 1. Unscrew Battery Cap at Tx and Open the top cover at Rx.(Please note when the Copier to use both Tx and Rx power should be shut down.)
- 2. Connect Copier either to Tx or Rx.
- 3. Follow the instruction of Copier Manual that will be provided as an optional order.

B. Function set by Software

- 1. Software can be provided as an optional order and,
- 2. It needs another connector (i.e. Gender) with the software.

C. Direct Copying from Rx

- 1. Connect Tx and Rx by a connector cable (an



optional provision).

2. Place the COPY-RUN s/w nob to COPY position, and Tx Led will blink with green light.
 3. Paring (Copying) from Rx to Tx done.
 4. Unplug the connector and place the s/w to RUN position.
- D. Consult **JEICO** distributor and/or agent for further support.

3-3 HOW TO INSTALL JREMO® SERIES RX

3-3-1. PREPARATIONS

- A. Prepare tools.
- B. Select a proper place for installation.
 1. Choose a safe area, a visible area of receiver or antenna.
 2. Avoid a spark area (ex. motors, relays, magnet switches, electric cables are likely generating sparks and interferes)
 3. Avoid high voltage and current area.
 4. Receiver is to be distanced at least 3cm from obstacles.
- C. Match receiver power
 1. Check input power source and make sure to connect to the right position.
 2. In case DC power, make sure receiver is also for DC.
 3. AC Power
 - Use AC Receiver.
 - Standard AC power source is 110 ~ 440V Free Volts.
 - 24V, 48V etc. are optional.
 4. DC Power
 - Use DC Receiver.
 - Standard DC power source is DC12 ~ 40V Free Volts.
 - For 48VDC, 60VDC consult **JEICO** distributor and/or agent.

3-3-2. INSTALLATION SEQUENCE

- A. Power off equipment(ex. crane).
- B. To install receiver always try to use with the Rx Fixing Plate or Rx Fixing Bracket when applicable.
- C. Connect each wire end of receiver cable to a mating connector of equipment(ex. winch).
 - 1. Confirm both circuit diagram of receiver and equipment(ex. winch) are in sequence and connected correctly.
 - 2. Confirm ground is o.k.
 - 3. Check and confirm power source.
 - 4. Make sure the selector switch positioned to pendent if pendent is (to be) installed together with **JREMO 4L**.
- D. Power on transmitter :
 - 1. Twist up the EMS button.
 - 2. Press Start Pushbutton of the transmitter and,
 - 3. Confirm if the receiver MAIN Lamp is on.
- E. Make sure each rx connection wires are temporarily disconnected to equipment either by on-off s/w or other means and then press each function button of transmitter and confirm remote operation in a good working condition by confirming to see each relay-led light inside the relay board of receiver.
- F. Close upper case of receiver and set the selector switch to remote position if selector s/w is installed.

3-4 HOW TO START & USE PASSWORD(PWD)

For the safety and secure operation **JREMO** series has adopted several types of start functions as following to achieve enhanced safety :

■ Main ON Function

Std : EMS UP ⇔ Any button, Main ON

Opt. : EMS UP ⇔ Start P/B, Main ON

CHAPTER 4. MAINTENANCE

4-1 STANDARD OPERATION

- A. Twist up the EMS button of Tx and do as START ON function procedure preset and find the Rx Main Lamp ON. During normal operation see if the Tx led shows Green light which is normal, and if the battery power of Tx goes weak then the Tx led light will turn to red and green by turns, and it still runs normally for some time. When it comes stop the operation before any abnormal functions such as delay responses, intermitting runs, no stops, etc during working with both red and green light signalling.
- B. Press down the EMS button when every normal operation finished and/or in any emergency situation might occur do the same at once.
- C. In case not in use for a long-term operation, Such as months or longer, the battery from tx for avoiding of any contamination and/or unnecessary consumption of battery power.

4-2 FUSES

- A. Black round plastic column onto the Rx replay board are The places where fuses are into.
- B. For replacement of fuse, use a flathead screwdriver or by hand to push down head of the fuse cap by rotating 90°anticlockwise to open the cap.
- C. Replace with a new fuse and close the cap in opposite procedure.

CHAPTER 5. TROUBLESHOOTING

5-1 SELF DIAGNOSIS (LED SIGNAL ERROR MESSAGE)

JEICO remote controllers have a renewed method of self diagnostic troubleshooting against so much complicated and riddled electronic structures, and yet it is easy to check and find causes and measures for any malfunctions may occur. **JEICO** takes a type of Led signaling error message for better, quick restoration in normal even site.

5-2 LED Diagnosis

	Causes	LED Signals	Measures
Transmitter (TX)	EMS Button not up	Red Light	Pull up EMS Button
	Push Button defect	Red Flash	Replace with new button(s)
	Encoder Module defect	No Signal	Replace with a new module
	Battery Discharged	No Signal	Charge battery
	Low Power	Red & Green Flashes	Charge battery
Receiver (RX)	Decoder defect	Lamp Off	Replace with a new Rx/Rf
	Wrong Power Source	Lamp Off	Replace Fuses and/or Replace Relay Board Connect Right Power
	Main Relay defect	Lamp Off	Replace Main Relay
	Rx-Rf COPY position	Lamp Off	Set to RUN position
	Main Power Off	Lamp Off	Engage Main Power

5-3 Troubleshooting

Appearances	Causes	Measures
Tx Led No Signal & Not Working	<ol style="list-style-type: none"> 1. Wrong Bat. Direction 2. Battery Discharged 3. Battery Disorder 4. Encoder Module defect 	<ol style="list-style-type: none"> 1. Place in right pole direction 2. Charge battery 3. Replace with new battery 4. Replace with new module
Tx Led Red Light & Not Working	<ol style="list-style-type: none"> 1. EMS Button Not Up 2. Very Low Batteries 3. Battery Disorder 4. Button Jam 	<ol style="list-style-type: none"> 1. Twist Up EMS Button 2. Charge battery 3. Charge battery 4. Replace with new buttons
Tx Led Red and Green Flashes & Working	<ol style="list-style-type: none"> 1. Low Battery Power 2. Old Batteries 	<ol style="list-style-type: none"> 1. Charge battery 2. Charge battery
Tx Led Green Flashes & Not Working	<ol style="list-style-type: none"> 1. Tx Antenna defect 2. Rx/Rf Module defect 3. Rx Antenna defect 4. Wrong Rx Power 5. Cable Short-circuit 6. No Remote Positioned 7. Frequency Interferes 	<ol style="list-style-type: none"> 1. Replace with new antenna 2. Replace with new Rx/Rf 3. Replace with new antenna 4. Correct Rx power source 5. Change with new Cable 6. Set to Remote Position 7. Set to other channel
Rx Lamp ON & Not Working	<ol style="list-style-type: none"> 1. Cable Short-circuit 2. No Remote Positioned 3. Frequency Interferes 4. Relay defect 6. Out of distance 	<ol style="list-style-type: none"> 1. Change with new Cable 2. Set to Remote Position 3. Set to other channel 4. Replace relay with new one 6. Be in a running area
Rx Lamp OFF & Not Working	<ol style="list-style-type: none"> 1. Tx Antenna defect 2. Rx Antenna defect 3. Rx/Rf Module defect 4. Power Short-circuit 5. Frequency Interferes 6. Main Fuse Burned 7. Main Relay defect 8. Rx-Rx COPY position 	<ol style="list-style-type: none"> 1. Replace with new antenna 2. Replace with new antenna 3. Replace with new Rx/Rf 4. Change with new Cable 5. Set to other channel 6. Replace fuse with new one 7. Replace relay with new one 8. Set to RUN position

APPENDIX I : 433 BAND FREQUENCY TABLE

TOTAL NUMBERS : 70 CHANNELS

Channel Spacing : 25 Kc

CH. NO.	MHz	CH. NO.	MHz
001	433.050	036	433.925
002	433.075	037	433.950
003	433.100	038	433.975
004	433.125	039	434.000
005	433.150	040	434.025
006	433.175	041	434.050
007	433.200	042	434.075
008	433.225	043	434.100
009	433.250	044	434.125
010	433.275	045	434.150
011	433.300	046	434.175
012	433.325	047	434.200
013	433.350	048	434.225
014	433.375	049	434.250
015	433.400	050	434.275
016	433.425	051	434.300
017	433.450	052	434.325
018	433.475	053	434.350
019	433.500	054	434.375
020	433.525	055	434.400
021	433.550	056	434.425
022	433.575	057	434.450
023	433.600	058	434.475
024	433.625	059	434.500
025	433.650	060	434.525
026	433.675	061	434.550
027	433.700	062	434.575
028	433.725	063	434.600
029	433.750	064	434.625
030	433.775	065	434.650
031	433.800	066	434.675
032	433.825	067	434.700
033	433.850	068	434.725
034	433.875	069	434.750
035	433.900	070	434.775

Calculation : Mhz = 433.050 + (N-1) x 0.025, 01 ≤ N ≤ 70

APPENDIX III : OPTIONAL ACCESSORIES



RAIN/DUST COVER



Tx Hook



MAGNET ANTENNA



Rx Fixing Plate

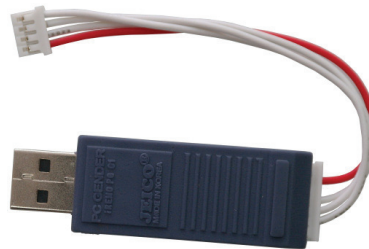
or



Rx Fixing Bracket



Copier



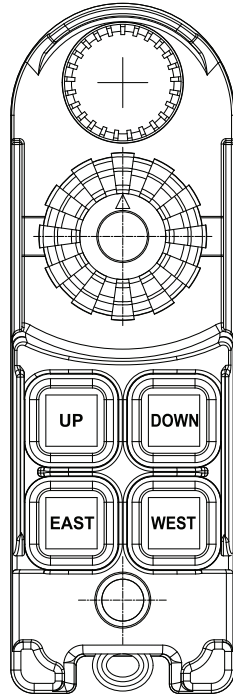
PC Gender & Software



Full Cover
(Water & Oil free)



Silicon &
Leather Cover



JEICO[®]

www.jeico.com

J Building, 94-1, Choryang-ro, Dong-gu, Busan, 48805, Korea
Tel. +82-51-818-7727 **Fax.** +82-51-804-2150 **Email.** jeicorp@kita.net

www.jeico.com

Note: The product category is a civilian remote control, and the product is not an industrial product

FCC STATEMENT :

This device complies with Part 15 of the FCC Rules. Operation is subject to the following two conditions:

- (1) This device may not cause harmful interference, and
- (2) This device must accept any interference received, including interference that may cause undesired operation.

Warning: Changes or modifications not expressly approved by the party responsible for compliance could void the user's authority to operate the equipment.

NOTE: This equipment has been tested and found to comply with the limits for a Class B digital device, pursuant to Part 15 of the FCC Rules. These limits are designed to provide reasonable protection against harmful interference in a residential installation. This equipment generates uses and can radiate radio frequency energy and, if not installed and used in accordance with the instructions, may cause harmful interference to radio communications. However, there is no guarantee that interference will not occur in a particular installation. If this equipment does cause harmful interference to radio or television reception, which can be determined by turning the equipment off and on, the user is encouraged to try to correct the interference by one or more of the following measures:

- Reorient or relocate the receiving antenna.

- Increase the separation between the equipment and receiver.

- Connect the equipment into an outlet on a circuit different from that to which the receiver is connected.

- Consult the dealer or an experienced radio/TV technician for help.