

CHAPTER 4 JREMO 10K, 10EX Standard Set

JREMO 10K, 10EX Standard Set comprises one transmitter and one receiver as following as a set

4-1 STANDARD SET



FUNCTIONS	MODEL NAME	RECEIVER
Single P/B	: JREMO 10K A	==> RX3 (24 Core Cable)
U/D Creep P/B	: JREMO 10K C	==> RX3 (24 Core Cable)
6 Double P/B	: JREMO 10K B	==> RX3 (24 Core Cable)
8 Double P/B	: JREMO 10K D	==> RX3 (24 Core Cable)
Single P/B for DC	: JREMO 10K M	==> RX3 (16 Core Cable)

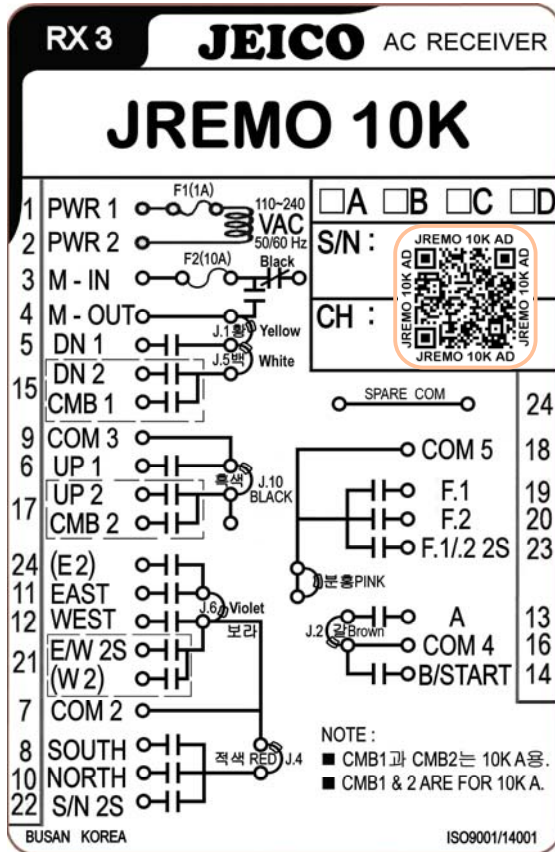
→ **JREMO 10EX** for Explosion Proof Type
with RX3 (24 Core Cable).

Note : RX casing for **JREMO 10EX** may not be used in case
internal parts of RX to be placed in an Exp. Proof Box.

4-2 CONTROL CONTACT WIRE DIAGRAM

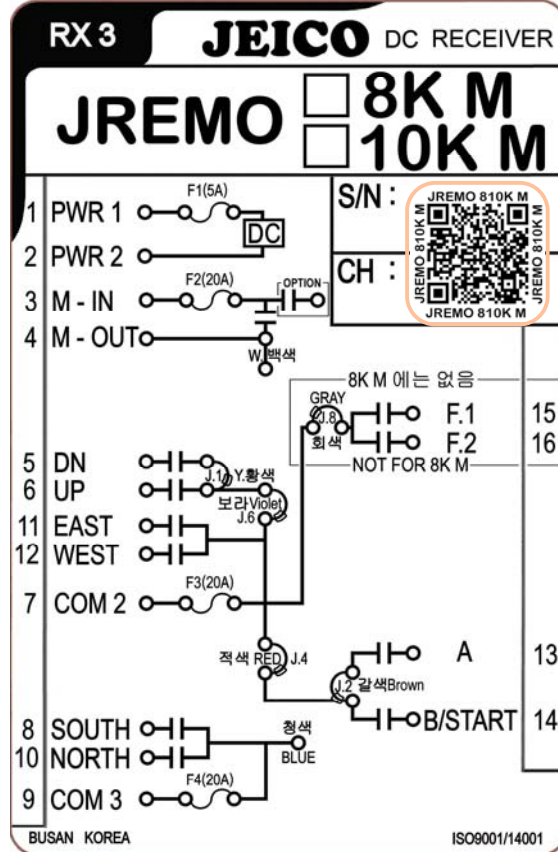
■ JREMO 10K(10EX) A/B/C/D

Single & Double P/B AC Diagram



■ JREMO 10K M

Single P/B DC Diagram



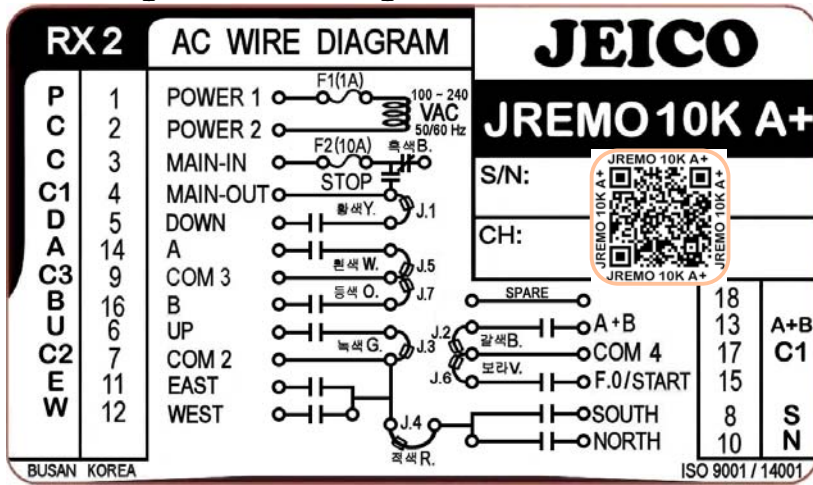
	JREMO 10K(10EX) A~D	JREMO 10K M
■ RECEIVER	RX3, 90 x 215 x 105 mm, approx. 1,350 gr.	
■ CABLE	24Core Cable	16Core Cable
	0.75 Sq, 600VAC, approx. 1.7m long, numbered	
■ RELAY	250VAC/5A	24VDC/15A
	125VAC/10A	120VAC/15A
■ FUSE	F1(1A) / F2(10A)	F1(5A) / F2,F3,F4(20A)
	20MM Column Fuse	
■ INPUT POWER	AC 100~240V 60/60Hz	DC 12~40V (opt. ~60V)

Notel : Combination(CMB 1 & CMB 2) functions are only for single p/b type models **JREMO 10K A** & **JREMO 10EX A**.

Note2 : Refer to page 11 for Single and/or Double Buttons arrangements.

■ **JREMO 10K A+ (a special JREMO 10K suffix model)**

Single P/B AC Diagram for A+B Function



■ **RECEIVER : RX2**

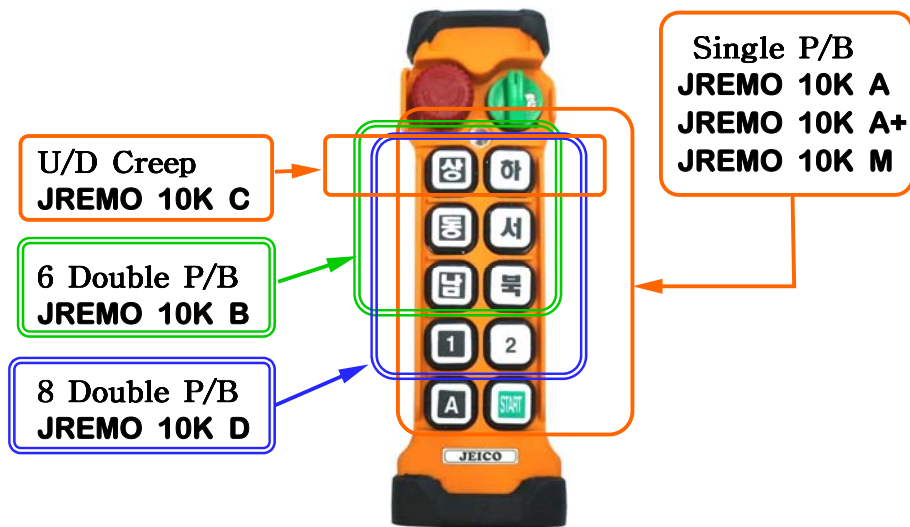
SIZE : 90 x 152 x 105 mm, approx. 950 gr.

■ **CABLE SPEC. : 0.75 Sq, 600VAC, 18 Core,**
approx. 1.7 m long, numbered

■ **RELAY SPEC. : 250VAC/5A, 125VAC/10A**
“A” Contact

■ **INPUT POWER: AC 100~240V 50/60Hz**

■ **FUSE SPEC. : 1A(F1) / 10A(F2), 20MM Column Fuse**



FCC STATEMENT :

This device complies with Part 15 of the FCC Rules. Operation is subject to the following two conditions:

- (1) This device may not cause harmful interference, and
- (2) This device must accept any interference received, including interference that may cause undesired operation.

Warning: Changes or modifications not expressly approved by the party responsible for compliance could void the user's authority to operate the equipment.

NOTE: This equipment has been tested and found to comply with the limits for a Class B digital device, pursuant to Part 15 of the FCC Rules. These limits are designed to provide reasonable protection against harmful interference in a residential installation. This equipment generates uses and can radiate radio frequency energy and, if not installed and used in accordance with the instructions, may cause harmful interference to radio communications. However, there is no guarantee that interference will not occur in a particular installation. If this equipment does cause harmful interference to radio or television reception, which can be determined by turning the equipment off and on, the user is encouraged to try to correct the interference by one or more of the following measures:

- Reorient or relocate the receiving antenna.
- Increase the separation between the equipment and receiver.
- Connect the equipment into an outlet on a circuit different from that to which the receiver is connected.
- Consult the dealer or an experienced radio/TV technician for help.

RF warning statement:

The device has been evaluated to meet general RF exposure requirement. The device can be used in portable exposure condition without restriction.