

规格书

SPECIFICATION FOR APPROVAL

物料描述

DESCRIBE: P02
客户料号

Customer NO:

物料编码

PART NO: ATC1162-RC001B05RA

天线类型

Antenna type 433 FPC Antenna

日期

DATE: 2023. 10. 27

供应商

Aiteen Technology (Shenzhen) Co.Ltd.

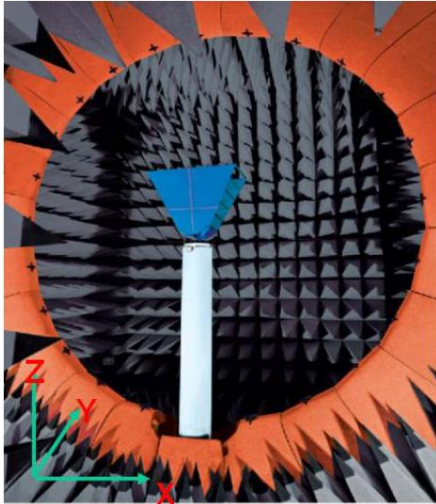
PROVIDER: 爱特恩科技（深圳）有限公司

201, Building 5#C, Skyworth Innovation Valley, Tangtou No.1 Road,
Shiyan Street, Bao'an District, Shenzhen, China

客户承认	确认	器件/结构	品质	采购	研发	核准
供应商承认	确认	确认	校对	审核	批准	
			张万泽	徐英丽		

1. 测试设备 Test equipment

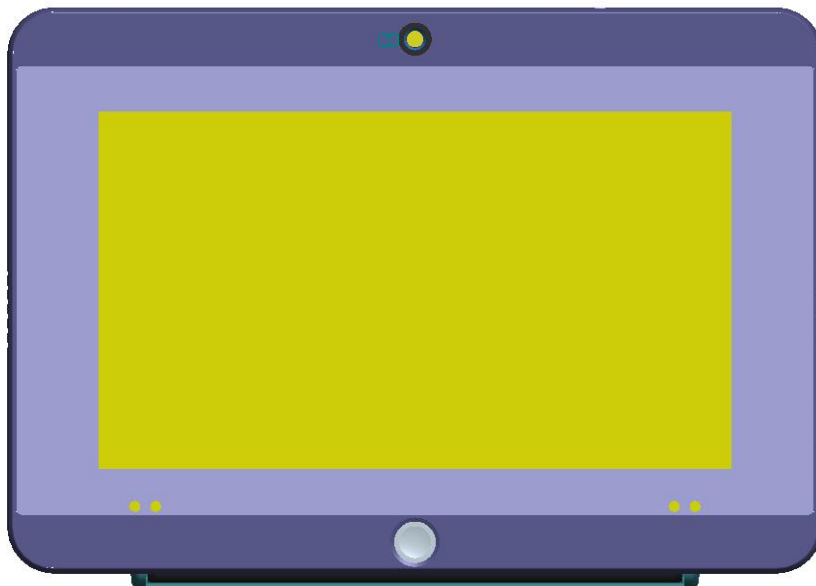
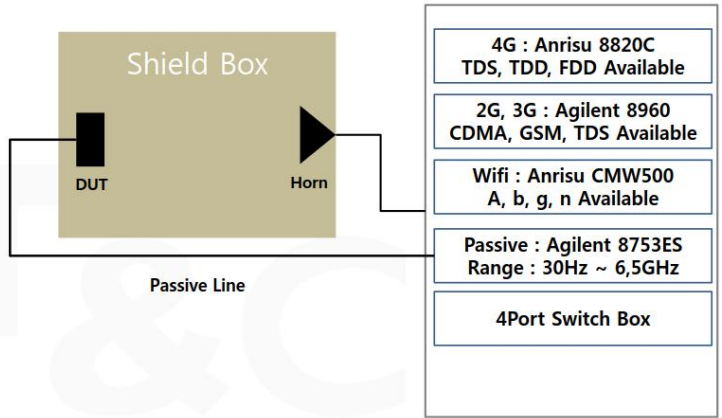
● Chamber System : Satimo 24L



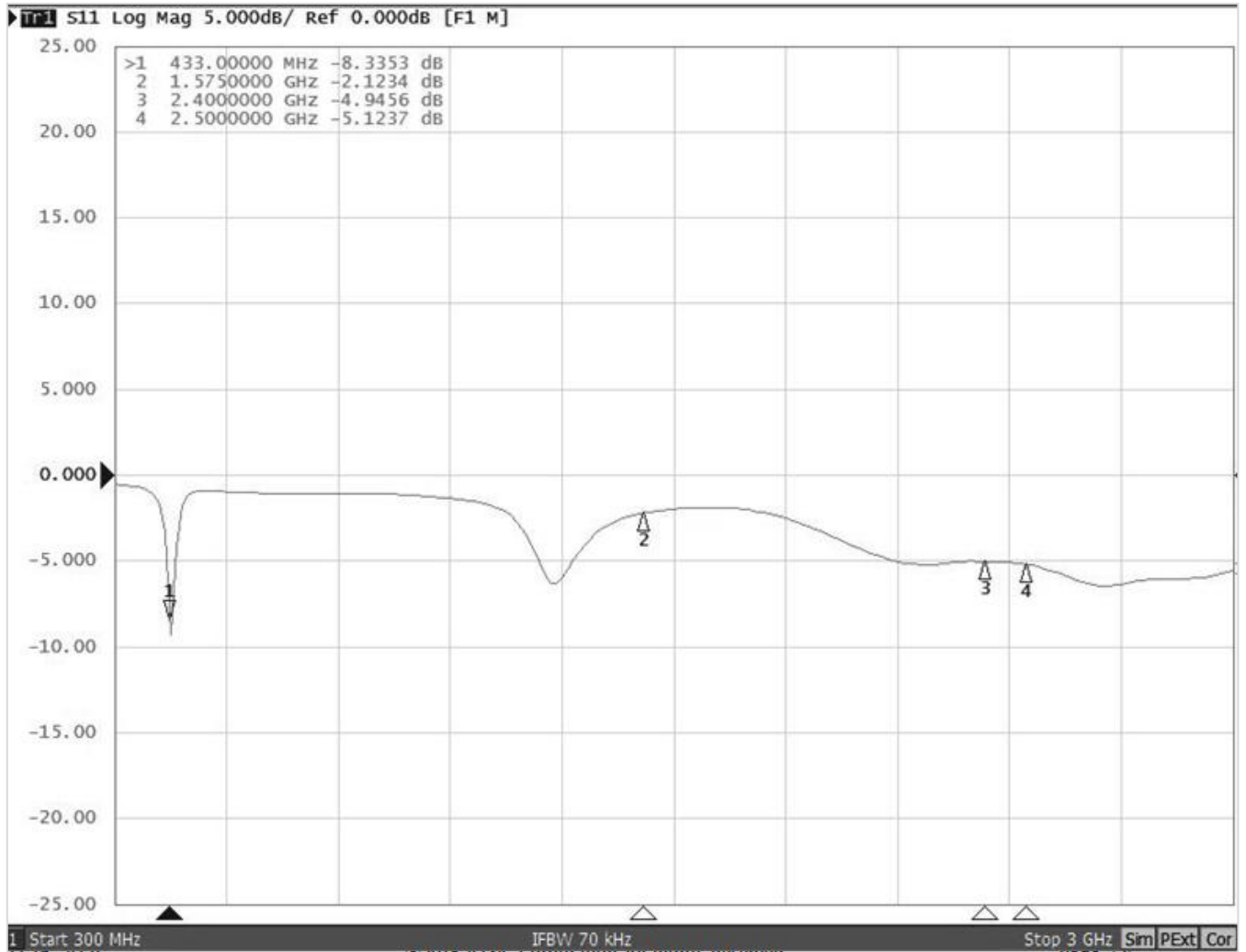
[Fig.] Shield Box

● Measure System Diagram & Equipments

Confidential

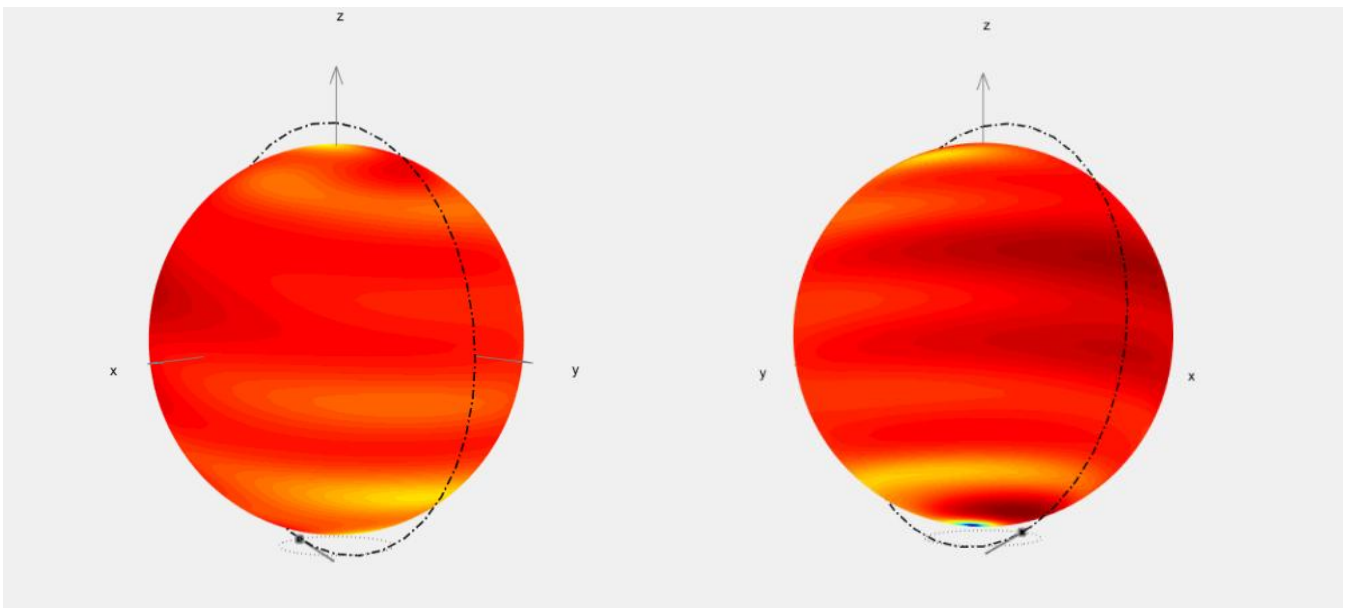
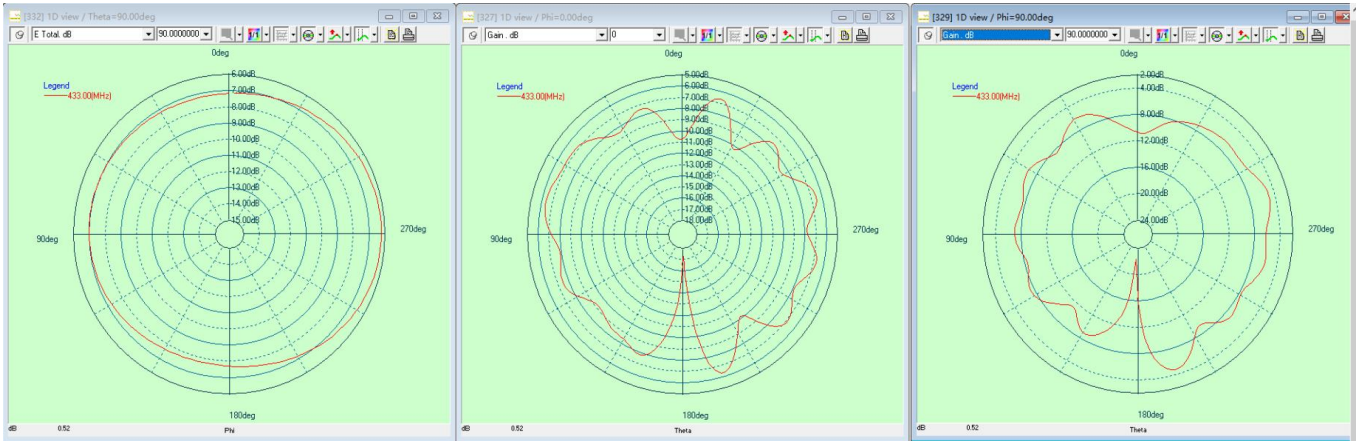


Antenna S11



2D/3D辐射方向图

2D/3D radiation pattern



Antenna *Efficiency&Gain

Frequency	Efficiency	Gain . dBi
430	13%	-2.73
431	13%	-2.66
432	14%	-2.65
433	14%	-2.61
434	13%	-2.72
435	13%	-2.79
436	12%	-2.84