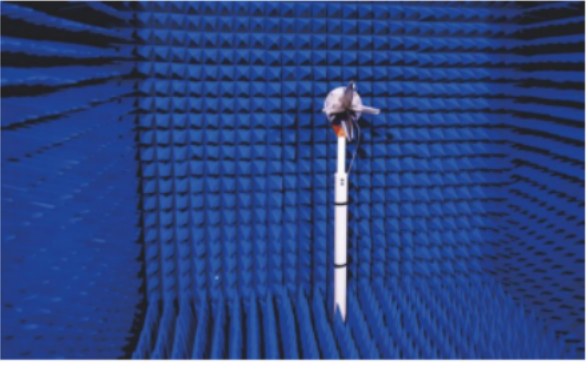


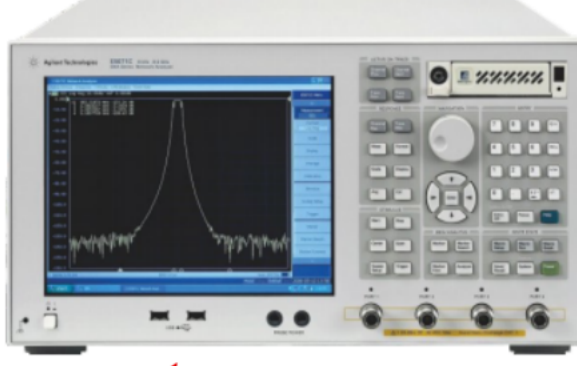
Antenna test report

The main purpose of this report: antenna matching debugging

Tester Machine



OTA-800
brand: ETS
frequency range: 370MHz-8.5GHz



5071C
Brand: Agilent
frequency range: 9KHz-8.5GHz

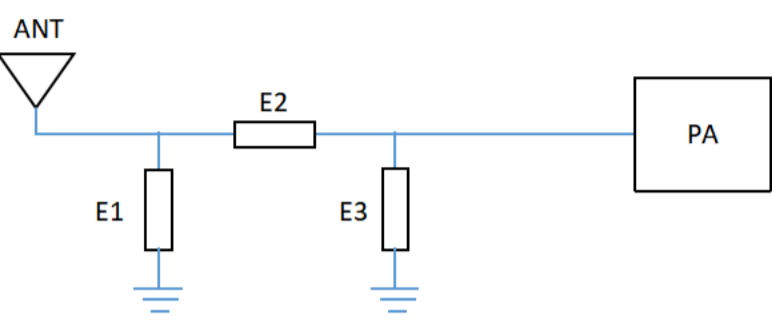


8960
Brand: Agilent
frequency range: 292MHz-2700GHz

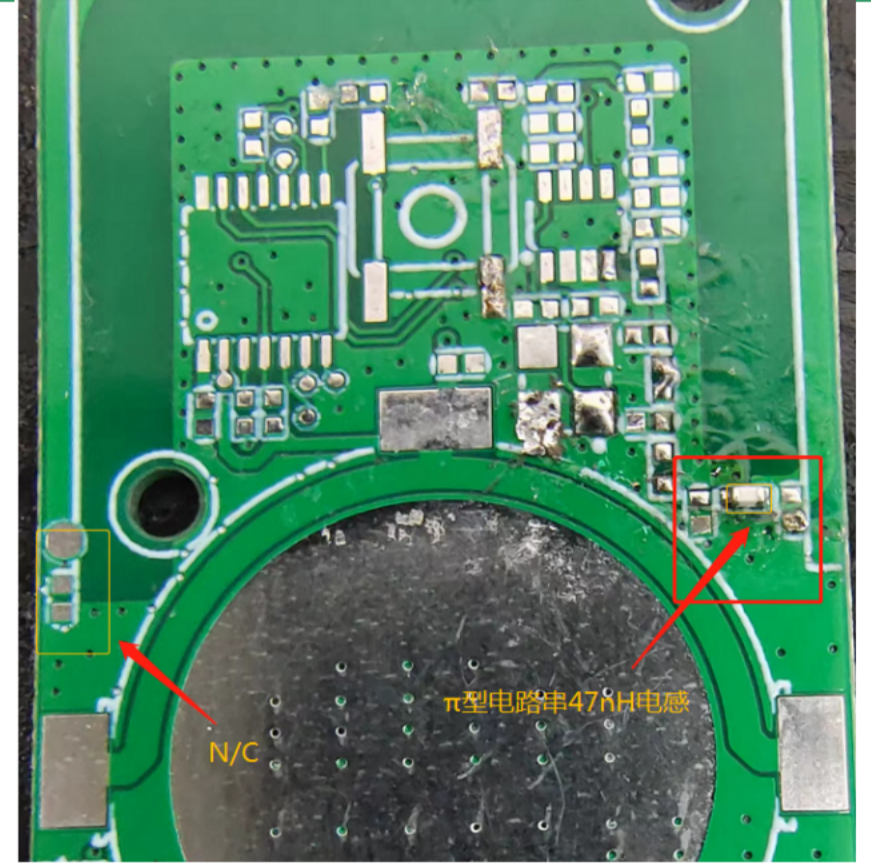


CMW500
Brand: Rhodes & Schwartz
frequency range: 70KHz-6GHz

matching circuit



Element	Value	Unit	Notes
E1	N/C		
E2	47nH		
E3	N/C		

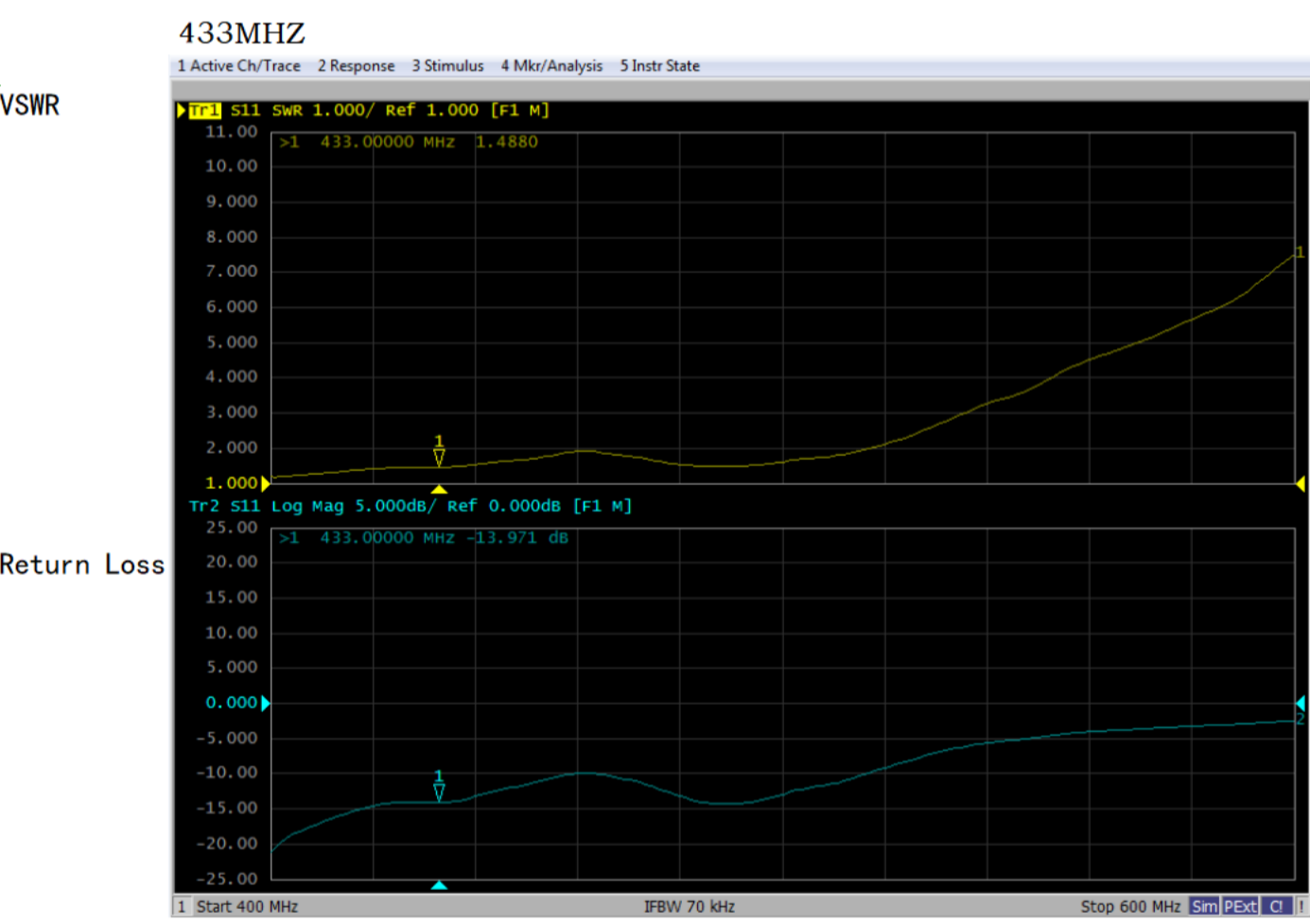


电性能指标

电性能指标 Electrical Parameter

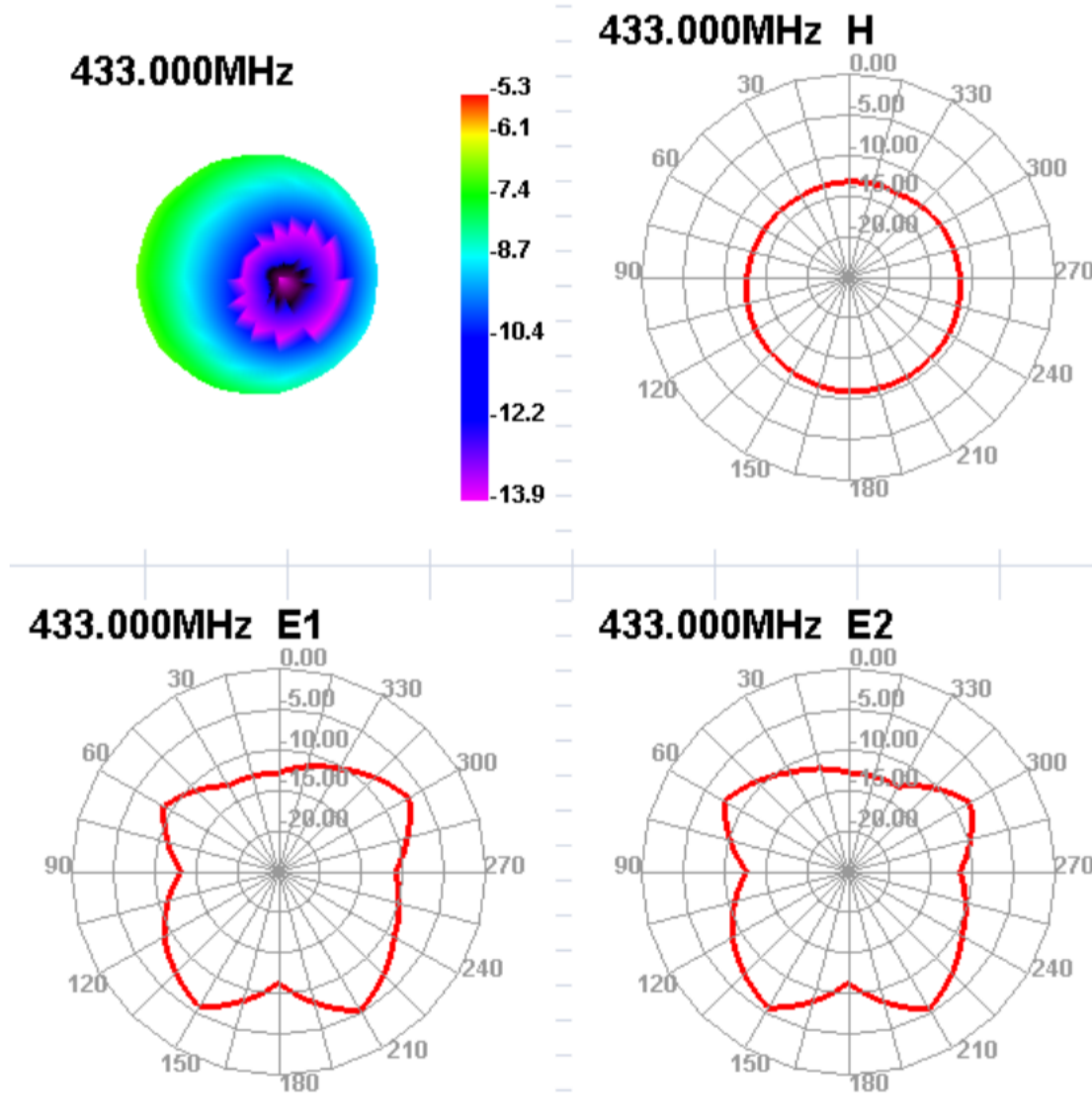
参数名称	测试条件/单位	测试结果
频率范围 (MHz)	Frequency Range (MHz)	433
平均增益	Average Gain (dBi)	-5.46dBi
平均效率	Average Efficiency (%)	12.6%
电压驻波比	VSWR	433 < 1.5 typ.
回波损耗	Return Loss (dB)	433 < -13.9 typ.
隔离度	Isolation	
极化形式	Polarization	Linear
输入阻抗	Input Impedance	50 Ω
最大输入功率 (W)	Maximum Input Power	10W
材料	Material	LDS
工作温度	Operation Temperature	-40° C ~ +85° C
储存温度	Storage Temperature	-40° C ~ +85° C

S11参数



Antenna efficiency/gain/orientation diagram

Freq (MHz)	Effi (%)	Effi (dB)	Gain (dBi)
430	12.22	-9.13	-5.27
431	12.5	-9.03	-5.23
432	12.66	-8.98	-5.24
433	12.71	-8.96	-5.29
434	12.68	-8.97	-5.37
435	12.63	-8.99	-5.46
436	12.57	-9.01	-5.55
437	12.57	-9.01	-5.61
438	12.63	-8.99	-5.66
439	12.74	-8.95	-5.7
440	12.88	-8.9	-5.72



antenna manufacturer: SHENZHEN UNIWELL CIRCUITS CO LTD

