

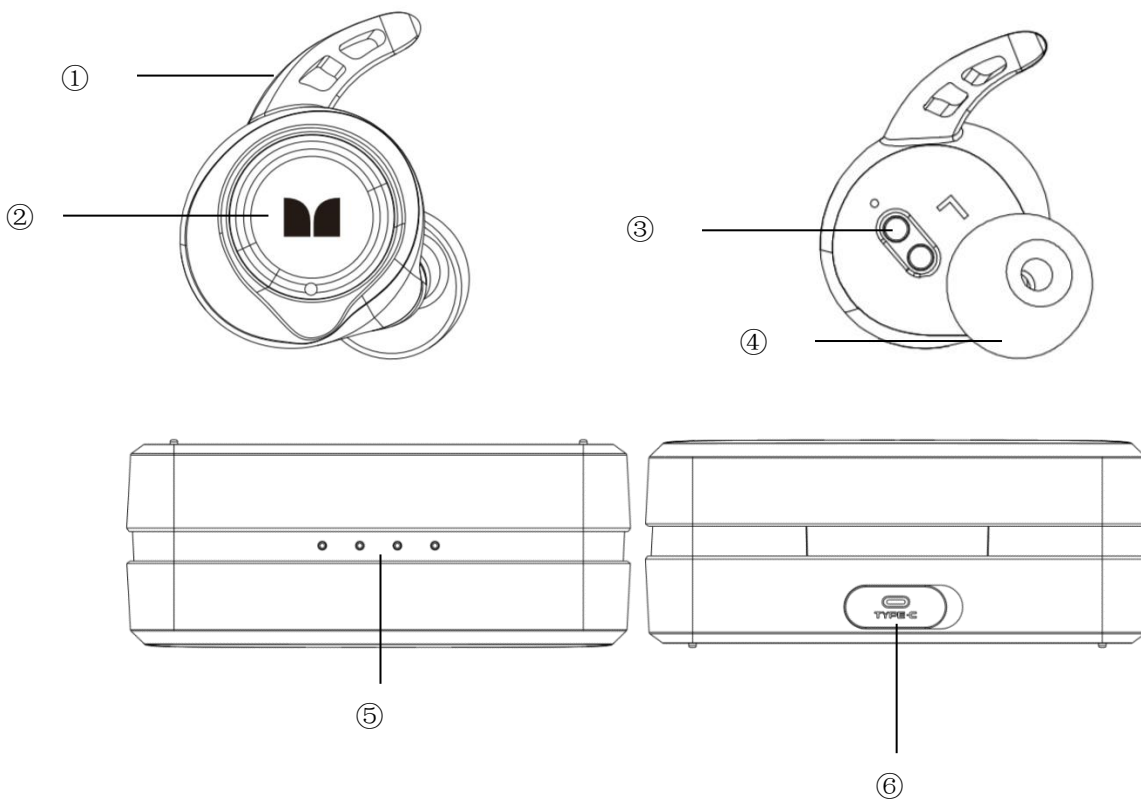
MONSTER®

MONSTER CHAMPION

Model No.:MH11903

快速指南 Quick Start Guide

Please read this Quick Start Guide carefully and keep it for future use.



Product Overview

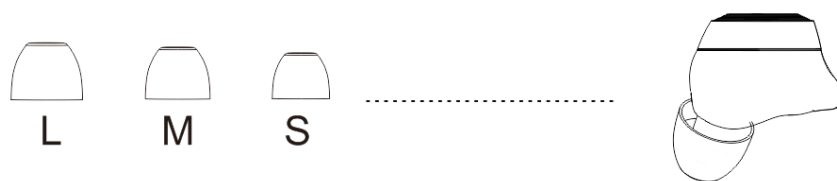
- Earphones (Le & Right)
- Charging Case
- SportClip™ x 1 Pair (Installed)
- Eartips x 3 Pairs (S, M & L)
- USB Type-C Charging Cable
- Quick Start Guide & Warranty letter

- 1.SportClip™
- 2.Multi Function Button (MFB)
- 3.Charging Contacts
- 4.Eartips
- 5.Charging Case - Battery level
LED Indicator
6. Charging Case Charging Port

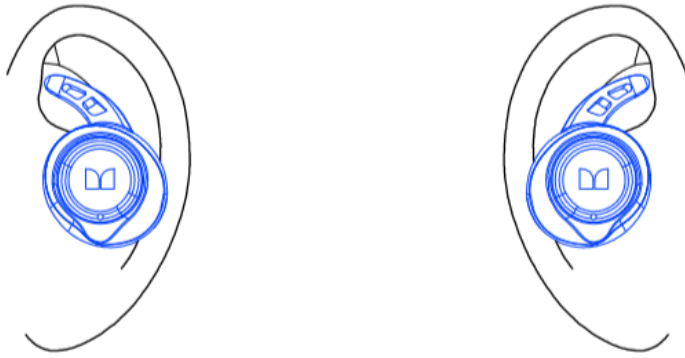
Power On/Off

Take the earphones out of the charging case, and the earbuds will be automatically power on. When the earbuds is power on, put the earbuds into the charging case, and the earbuds can be power off and charging.

Experiment with the different sizes of ear tip to find your perfect fit.



Twist the earphone until it fits securely and comfortably.



Pairing

Remove earphones from charging case, the earphones will turn on automatically. Left and right earphones will be connected automatically. Wait for a few seconds, “pairing” voice prompt will be heard. For new device connection, go to the Bluetooth settings on your mobile device and set it to search for new devices (new Monster device). Once the earphone is paired, you will hear “connected”.

Volume Control

Volume down: quickly double press the MFB on the left earphone during music streaming

Volume up: quickly double press the MFB on the right earphone during music streaming

Calling

Answer/End Call: short press MFB button to answer/end the phone call

Reject Call: long press MFB button about 2 seconds to reject phone call

Music

Play/Pause: press MFB once to play/pause music

Track forward: press and hold MFB on right earphone for about 2 seconds

Track backward: press and hold MFB on left earphone for about 2 seconds

Voice Control

After connecting to the phone, quickly double press the MFB to activate the voice assistant.

Reset

Manually turn off Right/Left earbuds, simultaneously long-press Right/Left earbuds for 8 seconds, you will see blue LED indicator stays on about 1 second, and hear voice prompt “Toot toot”, then the earbuds will reset automatically and enter TWS pairing mode for a few seconds, finally it will be available to connect with other devices.

LED Indicator Guide

Status	DESCRIPTION	Voice Prompt
Power On	Blue LED indicator stays On about 1 second	“Power On”
Power Off	Blue LED indicator stays On about 1 second	“Power Off”
Pairing	Blue LED indicator flashes continuously	“Pairing”
Connect	LED indicator is off /	“Connected”

	goes out	
Reset	Blue LED indicator flashes three times quickly	
Charging – Earphones	Blue LED indicator stays On	-
Charging – Charging Case	Battery level LED Indicator flashes while charging. When battery level LED indicator is off, it is fully charged.	-

Caution

1. when earphone falls into water ,please take it out and wipe the water then put into the charging box. Notice : earbuds will be damaged when there is water on the earphone
2. Please fully charge before using.
3. When you unbox the headphones and power it on for the first time, it will enter to pairing mode automatically.
4. Charge in a right place and environment.

FCC Statement

Changes or modifications not expressly approved by the party responsible for compliance could void the user's authority to operate the equipment.

This equipment has been tested and found to comply with the limits for a Class B digital device, pursuant to Part 15 of the FCC Rules.

These limits are designed to provide reasonable protection against

harmful interference in a residential installation. This equipment generates uses and can radiate radio frequency energy and, if not installed and used in accordance with the instructions, may cause harmful interference to radio communications. However, there is no guarantee that interference will not occur in a particular installation. If this equipment does cause harmful interference to radio or television reception, which can be determined by turning the equipment off and on, the user is encouraged to try to correct the interference by one or more of the following measures:

- Reorient or relocate the receiving antenna.
- Increase the separation between the equipment and receiver.
- Connect the equipment into an outlet on a circuit different from that to which the receiver is connected.
- Consult the dealer or an experienced radio/TV technician for help

This device complies with part 15 of the FCC rules. Operation is subject to the following two conditions (1) this device may not cause harmful interference, and (2) this device must accept any interference received, including interference that may cause undesired operation.