

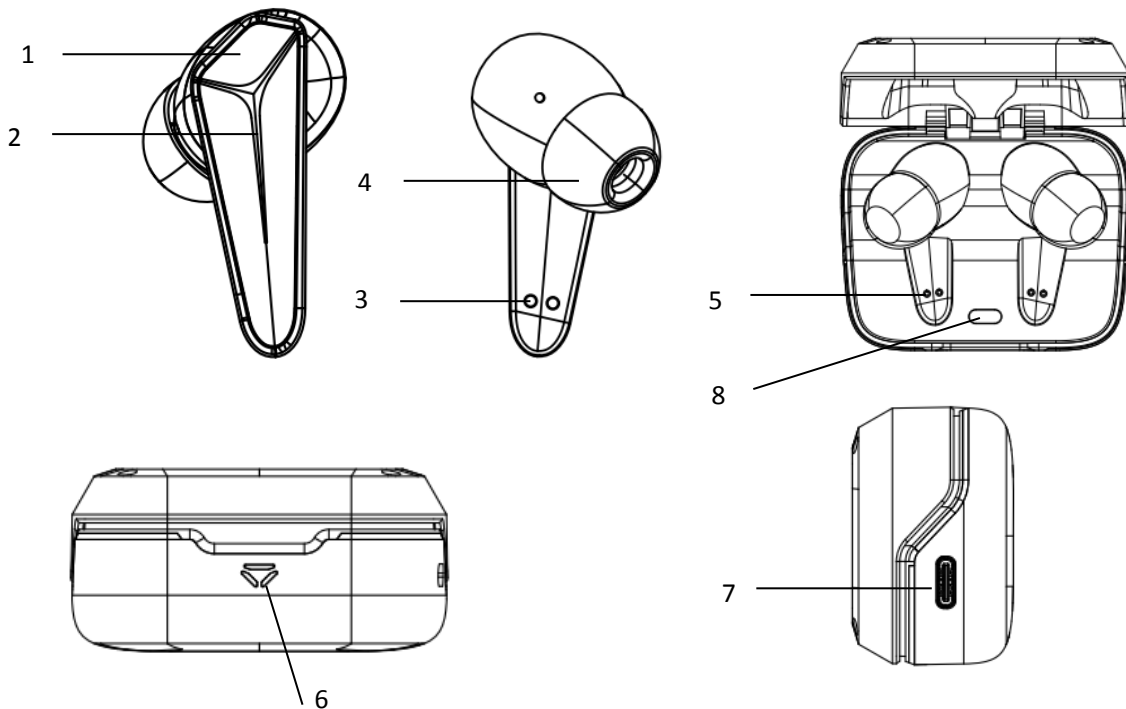


Monster Bluetooth Headphones

Model : MH72002

Quick Start Guide

Please read this Quick Start Guide carefully and keep it for future use.



Product Overview:

- Earphones (Left & Right)
- Charging Case
- Eartips x 3 Pairs (S, M & L)
- USB-C Charging Cable
- Quick Start Guide & Warranty letter

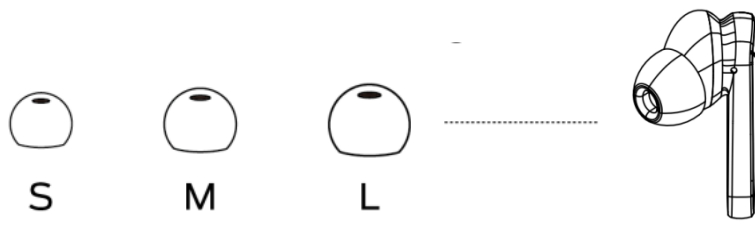
1. Multi Function Button (MFB)
2. LED Indicator
3. Earphone - Charging Contacts
4. Eartip
5. Charging Case - Charging Pins
6. Charging Case - Battery LED Indicator
7. USB-C Charging Port
8. Reset Button

Power On/Off

The earphones will automatically turn on after removing from the charging case.

To turn off the earphones, put back to the charging case. Earphone's light indicator is on and starts charging, the earphones will automatically turn off. When the LED indicator is off, it is fully charged.

Experiment with the different sizes of ear tip to find your perfect fit.



Pairing

Remove earphones from the charging case, the earphones will turn on automatically. Left and right earphones will be connected automatically. Wait for a few seconds, "pairing" voice prompt will be heard.

For new device connection, go to the Bluetooth settings on your mobile device and set it to search for new devices (new Monster device). Once the earphone is paired, you will hear "connected".

Volume Control

To decrease/increase the volume level, quickly double press the MFB on the left/right earphone during music streaming.

Calling

Short press the MFB to answer/end a phone call, long press the MFB about 2 seconds to reject a phone call.

Music

Short press the MFB once to play/pause music. To play the previous/next song, press and hold left/right MFB for around 2 seconds

Voice Control

After connecting to the phone, quickly press the MFB three times on the left earphone to activate the voice assistant.

Game and music modes

Music is the default mode.

Quickly press the MFB three times on the right earphone, to switch between game and music modes, corresponding voice prompt “game mode” or “music mode” will be heard.

Reset

Put the earphones back to the charging case, both LED indicators will be turned on to indicate earphones are charging. Then long press the reset button for around 3 seconds, The LED indicators flash three times. Earphones reset successfully, remove earphones from the charging case, the earphones will turn on automatically. Left and right earphones will be connected automatically. Wait for a few seconds, “pairing” voice prompt will be heard.

LED Indicator Guide

Status	Description	Voice Prompt
Power On	Blue LED indicator stays on about 1 second	“Power On”
Power Off	Blue LED indicator stays on about 1 second	“Power Off”
Pairing	Blue LED indicator flashes continuously	“Pairing”
Music Mode (Connected)	LED indicator is off	“Connected”
Game Mode (Connected)	Blue LED indicator flashes every 6 seconds	-
Charging – Earphones	Blue LED indicator stays on	-
Charging – Charging Case	Battery LED Indicator flashes while charging. When battery LED indicator is off, it is fully charged.	-
Charging Case Battery Low	Battery LED Indicator flashes five times when battery case is activated.	-

FCC Statement

Changes or modifications not expressly approved by the party responsible for compliance could void the user's authority to operate the equipment.

This equipment has been tested and found to comply with the limits for a Class B digital

device, pursuant to Part 15 of the FCC Rules. These limits are designed to provide reasonable protection against harmful interference in a residential installation. This equipment generates uses and can radiate radio frequency energy and, if not installed and used in accordance with the instructions, may cause harmful interference to radio communications. However, there is no guarantee that interference will not occur in a particular installation. If this equipment does cause harmful interference to radio or television reception, which can be determined by turning the equipment off and on, the user is encouraged to try to correct the interference by one or more of the following measures:

- Reorient or relocate the receiving antenna.
- Increase the separation between the equipment and receiver.
- Connect the equipment into an outlet on a circuit different from that to which the receiver is connected.
- Consult the dealer or an experienced radio/TV technician for help

This device complies with part 15 of the FCC rules. Operation is subject to the following two conditions (1) this device may not cause harmful interference, and (2) this device must accept any interference received, including interference that may cause undesired operation.