



# N-LITE CLEAR TALK

**Model: MH22107**

## **Quick Start Guide**

Please read this Quick Start Guide carefully and keep it for future use.



## Product Overview

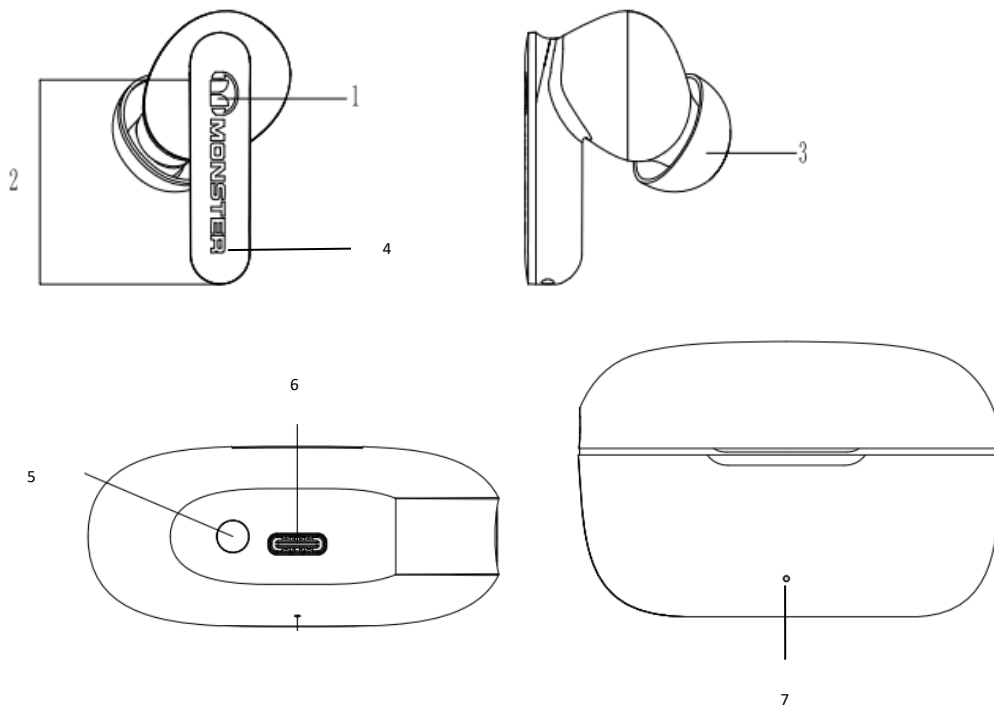
In-ear Earphone x 2 (left & right)

Charging Case

USB-C Charging Cable

Ear Tips x 3 pairs (medium pre-installed)

Quick Start Guide and Warranty Letter



1. Multi Function Button (MFB)
2. Microphones
3. Ear Tip
4. Indicator Light
5. Reset Button
6. USB-C Charging Port
7. Charging Case Indicator Light

### **Power On/Off**

Earphones will turn on when charging case is opened. To turn off, place the earphones in the charging case, charging will start when cover is closed.

### **Charging Case Charging**

Connect the USB-C cable (included) to the charging port. The charging case indicator light will turn on while charging and off when fully charged.

### **Pairing**

Left and right earphones will turn on and connect automatically when charging case is opened, "pairing" voice prompt will be heard.

For new device connection, go to Bluetooth settings on your device and search for new devices (new Monster device), "connected" voice prompt will be heard once the earphones are paired.

When turning on, the earphone will try to connect the last connected device. To pair a new device, turn off or disconnect the current connected Bluetooth device.

### **Volume Control**

Volume down: Double tap the MFB on the left earphone during music streaming.

Volume up: Double tap the MFB on the right earphone during music streaming.

### **Call**

Answer / End a call: Single tap the MFB.

Reject the call: Press and hold the MFB for 2 seconds.

### **Music**

Play/Pause music: Single tap the MFB

Previous song: Press and hold the MFB on the left earphone for 2 seconds.

Next song: Press and hold the MFB on the right earphone for 2 seconds.

### Voice Control

When the headset is connected to the mobile phone, Triple taps on the MFB to activate voice assistant.

### Reset to Factory Settings

Open the cover of the charging case, keep the left & right earphones in the charging case, press and hold the Reset Button for 10 seconds until the Charging Case Indicator Light flashes, the earphones will enter factory settings state, and then complete the new device pairing on the device Bluetooth interface.

### Indicator/Voice Prompt Guide

Mode	Description	Voice prompts
Power On	Earphones will turn on when the cover of the charging case is opened.	
Power Off	Place the earphones in the charging case and close.	
Pairing	Earphones will start searching for last connected device when power on, if no device found, it goes to pairing mode automatically. In pairing mode, Indicator Light flashes red and white alternately.	
Connected	When the earphones are connected to your device, "connected" will be heard.	"Connected"
Earphones charging	When the earphones are charging, white - Indicator Light is on, and goes off when it is fully charged.	-
Charging case	When the charging case is charging, white - Charging Case Indicator Light is on, and goes on when it is fully charged.	-

### Cautions

- \* After removing the earphones from the charging case, without pressing any buttons, the left and right earpieces will connect automatically. When no connections found, it will enter automatic pairing mode.
- \* Please place the earphones in the correct location (L/R) for normal charging.
- \* Replacement of battery (on your own) is not recommended.
- \* Do not expose battery (battery pack) to excessive heat such as direct sunlight or fire.

**FCC Statement**

Changes or modifications not expressly approved by the party responsible for compliance could void the user's authority to operate the equipment.

This equipment has been tested and found to comply with the limits for a Class B digital device, pursuant to Part 15 of the FCC Rules. These limits are designed to provide reasonable protection against harmful interference in a residential installation. This equipment generates uses and can radiate radio frequency energy and, if not installed and used in accordance with the instructions, may cause harmful interference to radio communications. However, there is no guarantee that interference will not occur in a particular installation. If this equipment does cause harmful interference to radio or television reception, which can be determined by turning the equipment off and on, the user is encouraged to try to correct the interference by one or more of the following measures:

- Reorient or relocate the receiving antenna.
- Increase the separation between the equipment and receiver.
- Connect the equipment into an outlet on a circuit different from that to which the receiver is connected.
- Consult the dealer or an experienced radio/TV technician for help

This device complies with part 15 of the FCC rules. Operation is subject to the following two conditions (1) this device may not cause harmful interference, and (2) this device must accept any interference received, including interference that may cause undesired operation.

RF warning statement:

The device has been evaluated to meet general RF exposure requirement. The device can be used in portable exposure condition without restriction.

FCC ID: 2AVD2-MH22107