



# INSPIRATION 700 ANC

Model No.:MH22001

FCC ID:2AVD2-MH22001

## Quick Start Guide

Please read this Quick Start Guide carefully and keep it for future use.



## Product Overview

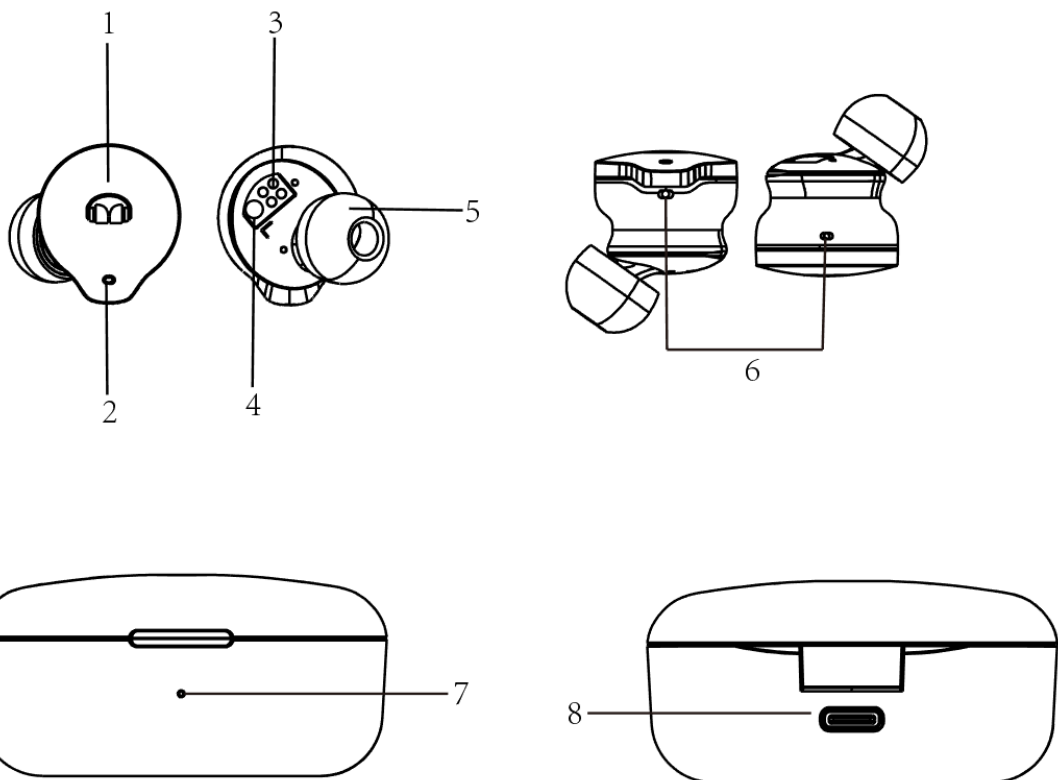
In-ear Earphone x 2 (left & right)

Charging Case

USB-C Charging Cable

Ear Tips × 3 pairs (M size installed)

Quick Start Guide and Warranty Letter



1. Multi Function Button (MFB), touch interface
2. Indicator Light
3. Charging Contacts
4. Optical Sensor
5. Ear Tip
6. Microphones
7. Charging Case Indicator Light
8. USB-C Charging Port

### **Power On/Off**

Open the charging case and remove the earphones, the earphones will automatically turn on. To turn off the earphones, put back to the charging case and close. Earphones will be turned off and start charging.

### **Charging Case Charging**

Connect the included USB-C cable to charging case. The charging case indicator light is on during the charging process and off after fully charged.

### **Noise Cancellation On/Off**

Three-click the multi-function touch button to switch between different modes.

[Noise Cancellation On] – [Ambient On] – [Noise Cancellation Off]

### **Pairing**

Open the charging case and remove the earphones, the earphones will automatically turn on. Left and right earphones will be connected automatically within few seconds. Then “pairing” voice prompt will be heard. For new device connection, go to the Bluetooth settings on your device and set it to search for new devices (new Monster device). Once the earphones are paired to the designated device, you will hear “connected”.

If the earphone has been paired, it will try to connect to the last connected device after turning on. To pair a new device, turn off the connection of the currently connected Bluetooth device.

### **Volume Control**

Volume down: Double tap the MFB on the left earphone during music streaming.

Volume up: Double tap the MFB on the right earphone during music streaming.

### **Call**

Answer / End a call: Single tap the MFB.

Reject the call: Press and hold the MFB for about 2 seconds.

### **Music**

Play/Pause music:

- Single tap the MFB
- The earphone contains an optical sensor for in-ear detection, music will be paused when the earphone is removed from the ear and resumed when put back on.

Previous song: Press and hold the MFB on the left earphone for about 2 seconds.

Next song: Press and hold the MFB on the right earphone for about 2 seconds.

### **Voice Control**

When the headset is connected to the mobile phone, double tap the MFB button for to activate the voice assistant.

### **Reset**

Open the charging box cover, keep the left & right earphones in the charging box, and double-click

the MFB button on the left & right earphones. At this time, the white indicator light on the earphones will flash 3 times quickly, indicating that the earphones have been restored to factory settings.

#### LED Indicator Guide

Mode	Description	Voice prompts
Power On	Indicator Light: white light stays on about 1 second	Power On
Power Off	Indicator Light: red light stays on about 1 second	Power Off
Pairing	Indicator Light: white light flashes	Pairing
Connected	Indicator Light: light goes off	Connected
Earphone charging	Indicator light: the red light is on when the headset is charging	-
Charging case charging	Charging Case Indicator Light: Red light is on during charging and off after fully charged.	-

#### Note:

- \* After removing the earphones from the charging case, without pressing any buttons, the left and right earpieces will connect automatically. If there is no connection found, it enters to pairing mode automatically.
- \* Please put the earphones in the correct position to charge.
- \* Do not replace the battery at unapproved repair technician.
- \* The battery (battery pack or combination battery) must not be exposed to excessive heat such as sunlight or fire.

#### FCC Statement

Changes or modifications not expressly approved by the party responsible for compliance could void the user's authority to operate the equipment.

This equipment has been tested and found to comply with the limits for a Class B digital device, pursuant to Part 15 of the FCC Rules. These limits are designed to provide reasonable protection against harmful interference in a residential installation. This equipment generates uses and can radiate radio frequency energy and, if not installed and used in accordance with the instructions, may cause harmful interference to radio communications. However, there is no guarantee that interference will not occur in a particular installation. If this equipment does cause harmful interference to radio or television reception, which can be determined by turning the equipment off and on, the user is encouraged to try to correct the interference by one or more of the following measures:

- Reorient or relocate the receiving antenna.
- Increase the separation between the equipment and receiver.
- Connect the equipment into an outlet on a circuit different from that to which the receiver is connected.
- Consult the dealer or an experienced radio/TV technician for help

This device complies with part 15 of the FCC rules. Operation is subject to the following two conditions (1) this device may not cause harmful interference, and (2) this device must accept any interference received, including interference that may cause undesired operation.

RF warning statement:

The device has been evaluated to meet general RF exposure requirement. The device can be used in portable exposure condition without restriction.