

Need assistance?



**DO NOT RETURN THIS
PRODUCT TO THE STORE**

Call 1-800-757-1440
Mon-Fri 9:00 a.m. - 5:00 p.m. EST (US)
or email us at info@atomiusa.com

 atomii™

Cell Phone UV Sanitizer + Qi Wireless Charger

2-in-1 UV Sanitizer Box + Qi Wireless Pad

User Manual



Date Code: 08/20

Thank you for purchasing the atomi Cell Phone UV Sanitizer + Qi Wireless Charger

This multifunctional gadget provides the most effective way to clean your phone. Large enough for any smartphone and small enough to take on the go, the UV Sanitizer kills up to 99.9% of germs and bacteria in 3-5 minutes.

It also doubles as a Qi-Certified Fast-Charge Wireless Charging Pad. Simply place your Qi-enabled phone or device on its surface and go.

NOTE: If a device is not Qi compatible, you will need a Qi receiver to charge the device.

What's Inside

Cell Phone UV Sanitizer + Qi Wireless Charger
Qualcomm 3.0 Wall Charger

Specifications

Input: 5V=3A, 9V=2A, 12V=1.5A	Wall Charger:
USB Output: 5V=1A	Input: 125V AC 60Hz 0.5A max
Wireless Output: 10W	Output: 5V=3A, 9V=2A, 12V=1.5A

Compatible with any Qi-enabled device

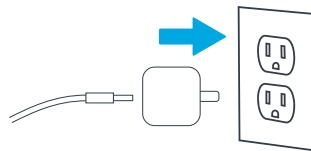
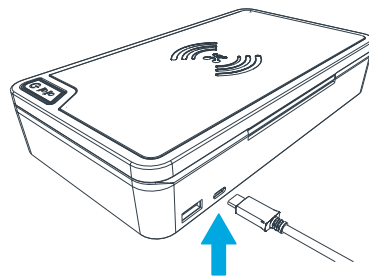
The Cell Phone UV Sanitizer + Qi Wireless Charger can provide a charge to any device with integrated Qi functionality, including the iPhone® 11/11 Pro/11 Pro Max, iPhone® XS, iPhone® XS Max, iPhone® XR, iPhone® X, iPhone® 8, 8 Plus, Galaxy® S10e/S10/S10+, Galaxy® S9/S9+, Galaxy® S8/S8+, Galaxy® Note10/10+, Galaxy® Note9, Galaxy® Note8, LG® G8 ThinQ™, LG® G7 ThinQ, LG® V30 ThinQ.

Watches are not recommended to be charged on this item as the charger may get hot and damage the watch.

Powering Your Cell Phone UV Sanitizer + Qi Wireless Charger

1

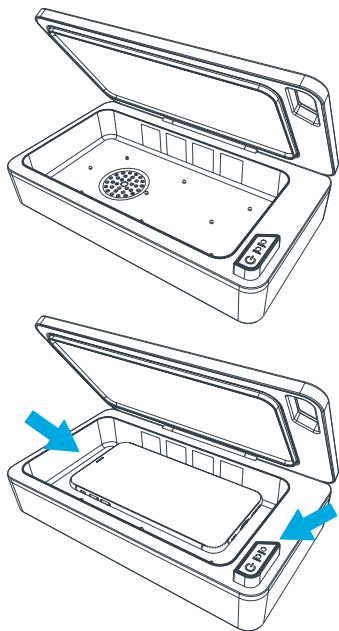
Using included Type-C cable, connect your Cell Phone UV Sanitizer + Qi Wireless Charger to the included wall charger and plug into any outlet.



Device Sanitization

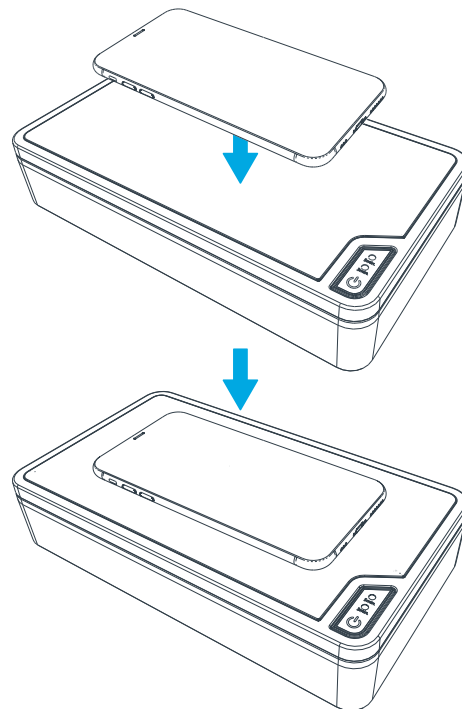
Place any device or small object (smartphone, toothbrush, iPod, mp3 player, watch, eyeglasses, jewelry, eating utensils, keys, bluetooth earphones, baby's toys, etc.) inside the unit, close the lid and choose one of the different disinfection modes:

- Press the button once for 3 minutes or
- Double press the button for 5 minutes



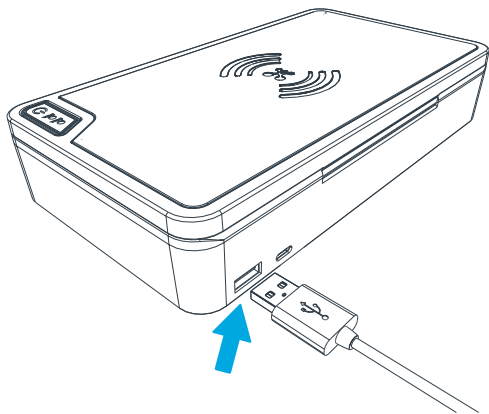
Wireless Charging

Place your Qi-compatible device on top of the unit and the device will begin charging on contact.



Using the USB port

Plug your device into the USB port located on the back.



Safety Information

1. Read these instructions carefully for best use.
2. DO NOT use the Cell Phone UV Sanitizer + Qi Wireless Charger near water or expose it to rain or moisture.
3. DO NOT use the Cell Phone UV Sanitizer + Qi Wireless Charger near open flames, such as candles, heat sources, radiators and stoves.
4. Only clean the Cell Phone UV Sanitizer + Qi Wireless Charger with a dry cloth.
5. Caution: Risk of electric shock.
6. For connection to a supply not in the U.S.A., use an attachment plug adapter of the proper configuration for the power outlet, if needed.
7. Please check prior use, if output voltage and current of the power supply is suitable for the product.
8. Children should be supervised to ensure that they do not play with the appliance.

For questions or concerns, email us at info@atomiusa.com

Manufactured and marketed by Atomi Inc.

10 West 33rd St., New York, NY 10001

atomi™ is a trademark of Atomi Inc.

Designed by atomi in New York. Made in China

One-year limited warranty from the date of purchase
against defects in material and workmanship.

FCC Statement

This device complies with part 15 and part 18 of the FCC Rules. Operation is Subject To the following two conditions:

(1) This device may not cause harmful interference, and (2) this device must accept any interference received, including interference that may cause undesired operation. Changes or modifications not explicitly approved by the party responsible for compliance could void the user's authority to operate this equipment.

Note: this equipment has been tested and found to comply with the limits for a Class B digital device, pursuant to part 15 and part 18 of the FCC Rules. These limits are designed to provide reasonable protection against harmful interference in a residential installation. This equipment generates, uses and candidate radio frequency energy and, if not installed and used in accordance with the instructions, may cause harmful interference to radio communications. However, there is no guarantee that interference will not occur in a particular installation. If this equipment does cause harmful interference to radio or television reception, which can be determined by turning the equipment off and on, the user is encouraged to try to correct the interference by one or more of the following measures:

- Reorient or relocate the receiving antenna.
- Increase the separation between the equipment and receiver.
- Connect the equipment into an outlet on a circuit different from that to which the receiver is connected.
- Consult the dealer or an experienced radio/TV technician for help.

The equipment complies with FCC radiation exposure limits set forth for an uncontrolled environment. During the operation of device a distance of 15 cm surrounding the device and 20 cm above the top surface of the device must be respected.

This device complies with Part 18 of the FCC Rules. This equipment generates uses and can radiate radio frequency energy and, if not installed and used in accordance with the instructions, may cause harmful interference to radio communications. If this equipment does cause harmful interference to radio or television reception, which can be determined by turning the equipment off and on, the user is encouraged to try to correct the interference by one or more of the following measures:

- Increase the separation between the equipment and any other radio device.
- Connect the equipment into an outlet on a circuit different from that to which the receiver is connected.