

Need assistance?



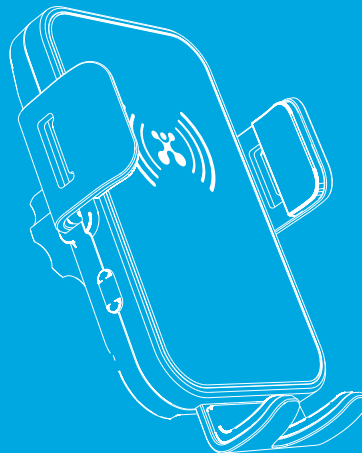
**DO NOT RETURN THIS
PRODUCT TO THE STORE**

Call 1-800-757-1440
Mon-Fri 9:00 a.m. - 5:00 p.m. EST (US)
or email us at info@atomiusa.com

 atomi™

Qi Wireless Car Charger

10W Fast-Charge with
Vent + Windshield + Dash Phone Mount
User Manual



Date Code: 07/20

Thank you for purchasing the atomi Qi Wireless Car Charger

The atomi Qi Wireless Car Charger combines a strong, automatic, motorized mount with the freedom of wireless charging. Through Qi Wireless fast charging technology, you can charge your phone quicker and more efficiently in your car.

The secure, motorized clamps provide the perfect viewing angle and the option to turn your phone from landscape to portrait mode seamlessly.

What's Inside

1. Qi Wireless Phone Mount
2. 3 Mounting adaptors: Vent, Windshield, and Dash
3. Qualcomm 3.0 USB Car Charger
4. 3-Foot Type-C Cable

Specifications

Qi Charger Specifications:

Input: 5V=2A, 9V=1.67A

Output: 10W

Car Charger Specifications:

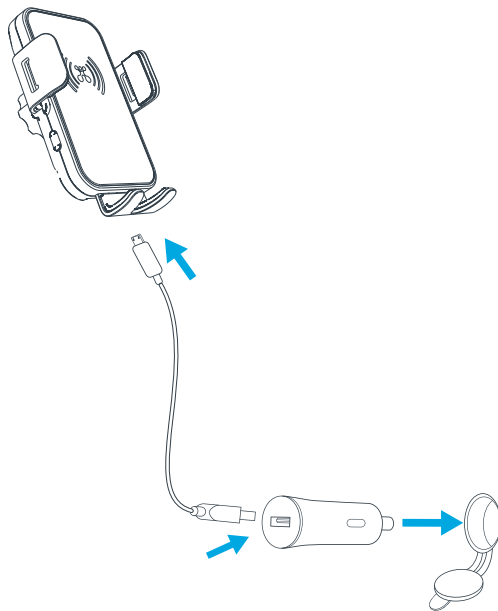
Input: DC 12-24V 1.6A max

Output: 5V=3A, 9V=2A, 12V=1.5A

Charging Your Wireless Device

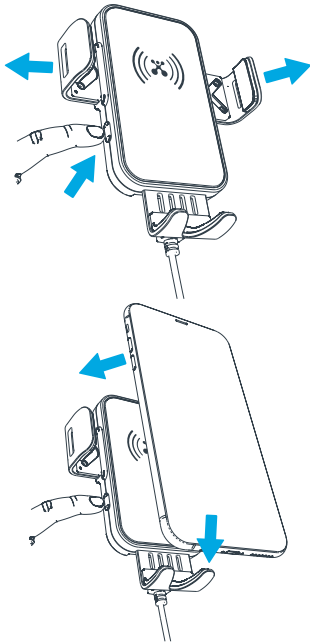
1

Connect the supplied Type-C cable to the wireless charger's USB-C port and to the car charger's USB port. Insert the car charger into your vehicle's 12-volt power outlet.



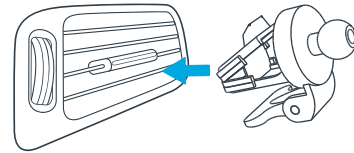
2

Press the button on the side of the charger to open the clamps. Place your phone on the charger. The clamps will automatically close and hold your phone. Charge will start on contact.

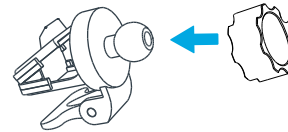


NOTE: if the Type-C cable is not connected to the charger, the clamps will not close automatically. You will need to press the lateral button to close them to hold your phone. When the power is off, it will beep as a reminder to take the phone away.

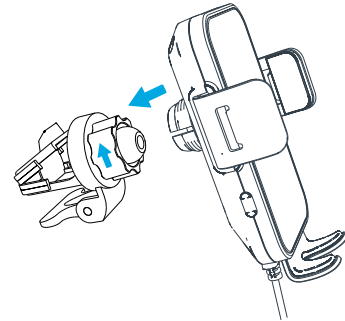
Using the Vent Mount



Place the mount onto your vehicle's vent louvers to attach.

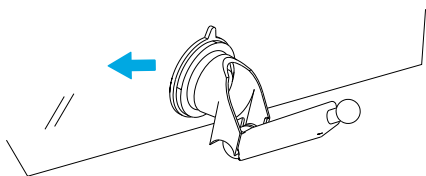


Place the adaptor onto the vent mount.

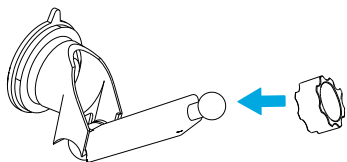


Attach the charger's mount onto the vent mount and turn the adaptor to tighten and secure it.

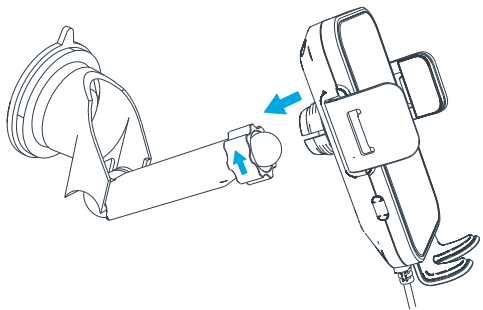
Using the Windshield Mount



Attach the mount onto your vehicle's windshield.

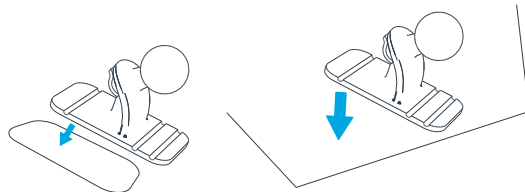


Place the adaptor onto the windshield mount.

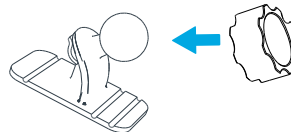


Attach the charger's mount onto the windshield mount and turn the adaptor to tighten and secure it.

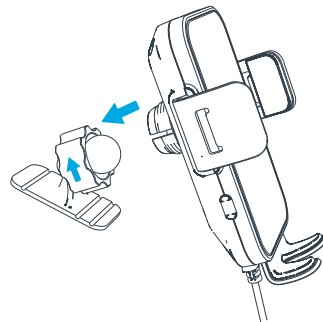
Using the Dash Mount



Peel off the paper on the back of the dash mount then place the mount onto your vehicle's dash.



Place the adaptor onto the dash mount.



Attach the charger's mount onto the dash mount and turn the adaptor to tighten and secure it.

Safety Information

Taking care of your Qi Wireless Car Charger will protect your warranty coverage.

Here is how to properly care for your atomi Qi Wireless Car Charger:

- Keep it dry, as any moisture, including humidity can corrode the electronic circuits.
- Do not use your Qi Wireless Car Charger if it gets wet. Wait until it dries.
- If the Qi Wireless Car Charger is damaged in anyway, do not use it.
- Keep it free from dust, as dust can damage parts and electronic components.
- Do not store in high temperatures, as high temperatures may damage the device.
- Do not store in cold temperatures, as moisture can form inside the charger when it warms up to room temperature.
- Do not modify the Qi Wireless Car Charger in any way.
- Never drop, knock or shake the Qi Wireless Car Charger. This could break internal circuit boards and mechanics.
- During extended operation, the device may feel warm. In most cases, this is normal. If the device is not working properly, contact us at info@atomiusa.com for warranty and product assistance.

Caution

If you have an implanted medical device, including pacemaker, implanted cardioverter defibrillator, etc., you should:

- Keep the Qi Wireless Car Charger more than six inches away from the medical device.
- Unplug the Qi Wireless Car Charger if you think it is interfering with your medical device.
- Follow the directions that came with your medical device.

Warning

This product can expose you to chemicals including Lead, which is known to the State of California to cause birth defects or other reproductive harm. For more information, go to www.P65Warnings.ca.gov.

For questions or concerns, email us at info@atomiusa.com

Manufactured and marketed by Atomi Inc.

10 West 33rd St., New York, NY 10001

atomi™ is a trademark of Atomi Inc.

Designed by atomi in New York. Made in China

One-year limited warranty from the date of purchase against defects in material and workmanship.

FCC Statement

This device complies with part 18 of the FCC Rules. Operation is Subject To the following two conditions:

(1) This device may not cause harmful interference, and (2) this device must accept any interference received, including interference that may cause undesired operation. Changes or modifications not explicitly approved by the party responsible for compliance could void the user's authority to operate this equipment.

Note: this equipment has been tested and found to comply with the limits for a Class B digital device, pursuant to part 15 and part 18 of the FCC Rules. These limits are designed to provide reasonable protection against harmful interference in a residential installation. This equipment generates, uses and candidate radio frequency energy and, if not installed and used in accordance with the instructions, may cause harmful interference to radio communications. However, there is no guarantee that interference will not occur in a particular installation. If this equipment does cause harmful interference to radio or television reception, which can be determined by turning the equipment off and on, the user is encouraged to try to correct the interference by one or more of the following measures:

- Reorient or relocate the receiving antenna.
- Increase the separation between the equipment and receiver.
- Connect the equipment into an outlet on a circuit different from that to which the receiver is connected.
- Consult the dealer or an experienced radio/TV technician for help.

The equipment complies with FCC radiation exposure limits set forth for an uncontrolled environment. During the operation of device a distance of 15 cm surrounding the device and 20 cm above the top surface of the device must be respected.

This device complies with Part 18 of the FCC Rules. This equipment generates uses and can radiate radio frequency energy and, if not installed and used in accordance with the instructions, may cause harmful interference to radio communications. If this equipment does cause harmful interference to radio or television reception, which can be determined by turning the equipment off and on, the user is encouraged to try to correct the interference by one or more of the following measures:

- Increase the separation between the equipment and any other radio device.
- Connect the equipment into an outlet on a circuit different from that to which the receiver is connected.