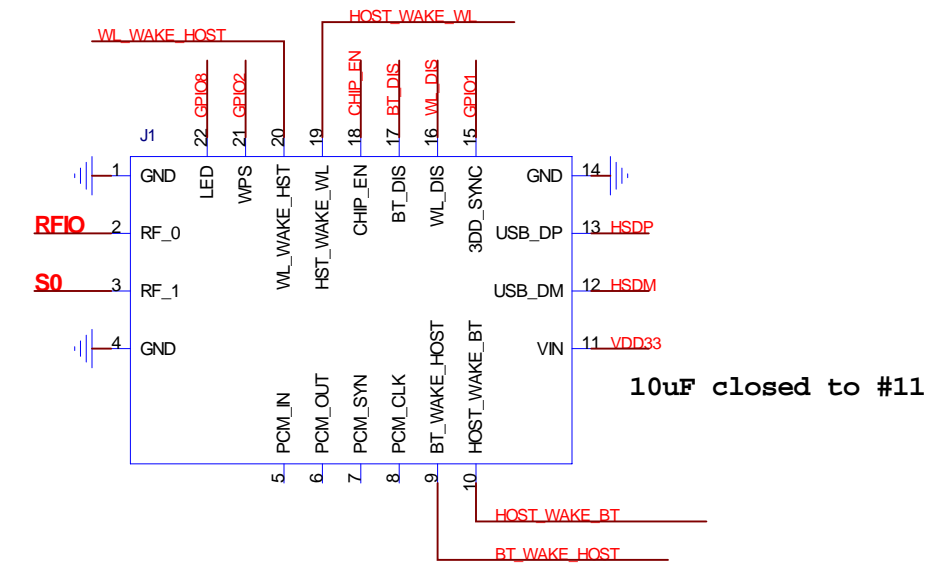
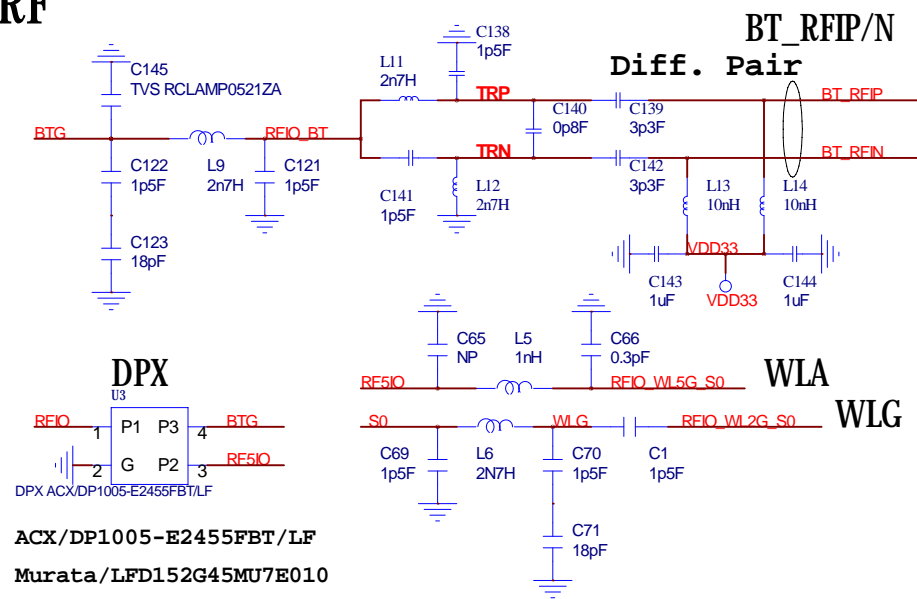
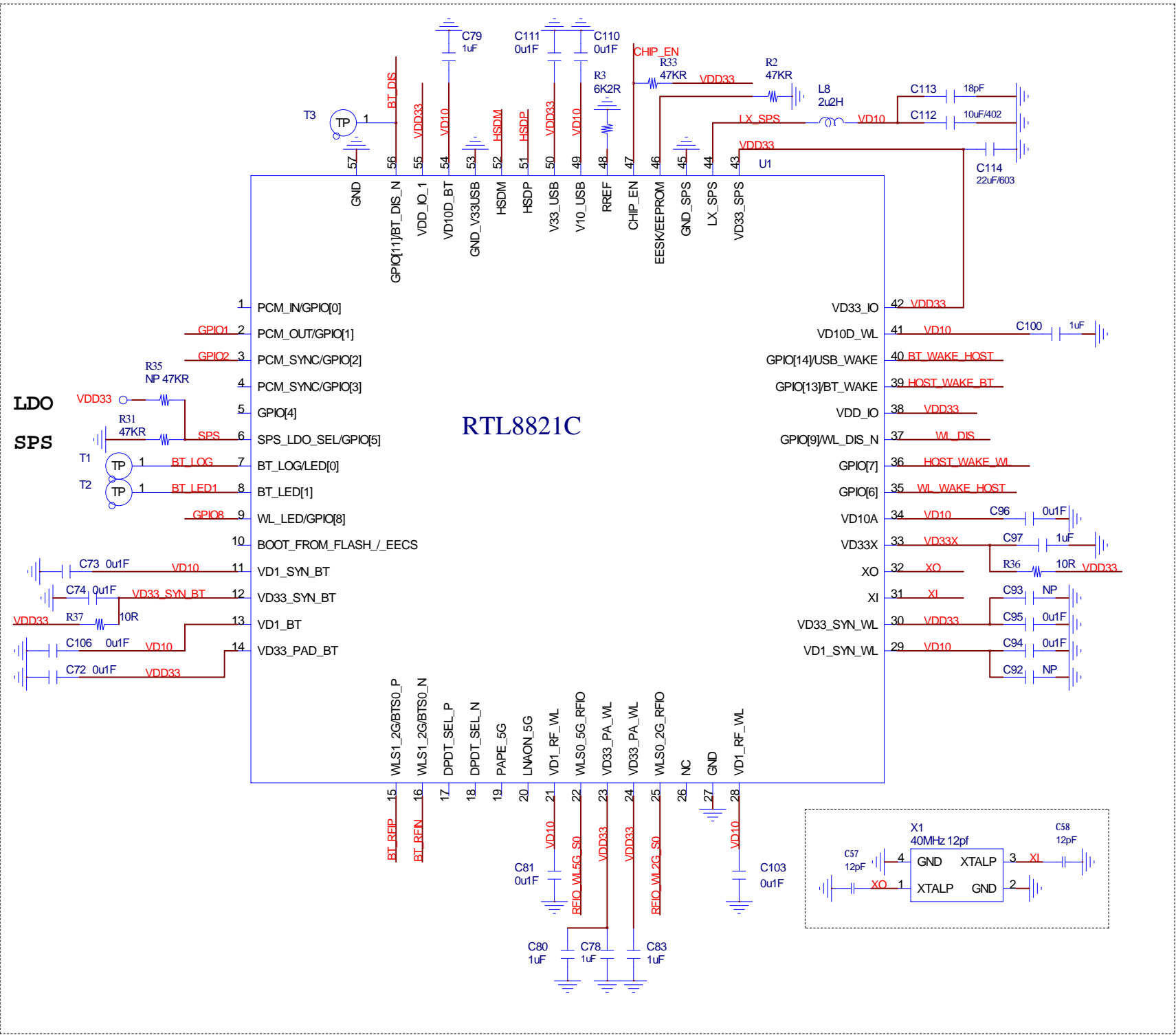


# RF



## MODULE PIN#

1. 10uF closed to Module#11
2. Reserved 0R between Module#16 #17 and Host



## Notice

1. COB design, pin #37 & #56 reserved 0ohm between host

Title		
UM821C04		
Size	Document Number	Rev
A3		5V1
Date:	Monday, July 01, 2019	Sheet 1 of 1