



## **Touch-it CE OEM glass 7** Operating Instructions

- **Display and Touch**
- **Projected Capacitive Touch**
- **Easy Integration**
- **Ready For Use**

# Touch-it CE OEM GLASS 7

## *Operating Instructions*

**Document No.** PA10003490

**Revision** 02

**Date** 13 May. 20

**Address** Christ Electronic Systems GmbH  
Alpenstraße 34  
DE-87700 Memmingen

**Telephone** +49 (0)8331 8371 – 0

**Fax** +49 (0)8331 8371 – 99

**E-Mail** [info@christ-es.de](mailto:info@christ-es.de)

**Internet** <http://www.christ-es.de>

**Copyright** No part of this documentation may in any form be reproduced, copied or distributed by means of electronic systems without previous written permission by Christ Electronic Systems GmbH. The translation into another language also requires a written permission. This documentation may be exclusively entrusted to the owner of the installation or to the employees of Christ Electronic Systems GmbH.

**Technical changes** Christ Electronic Systems GmbH reserves the right to change specifications, executions and technical data held within this document without prior notice.

**Trademarks** Brand and product names are trademarks or registered trademarks of their respective owners.

# Touch-it CE OEM GLASS 7

## Operating Instructions

### Table of Contents

	<b>Page</b>
<b>1 General .....</b>	<b>3</b>
1.1 Used Symbols .....	3
1.2 General Pointers .....	3
1.3 Cleaning .....	4
1.4 Explosion Protection and Certification .....	5
<b>2 Technical Data .....</b>	<b>7</b>
2.1 System.....	7
2.2 Power Supply.....	7
2.3 Mechanical & Environmental .....	7
<b>3 Commissioning .....</b>	<b>8</b>
3.1 Technical Drawing.....	8
3.2 Mounting.....	9
3.3 Interface.....	9
<b>4 Software .....</b>	<b>10</b>
4.1 Accessing the System .....	10
4.1.1 Accessing the System via SSH (Secure Shell) .....	10
4.2 Rebuilding the Image .....	11
4.3 Recover the Delivery State .....	11

# Touch-it CE OEM GLASS 7

## Operating Instructions

### 1 General

#### 1.1 Used Symbols

Symbol The following symbols are used in this instruction manual:



#### **DANGER!**

Denotes a direct threat of danger. Not observing this pointer may be life threatening or lead to serious injuries.



#### **CAUTION!**

Denotes a possibly dangerous situation. Not observing this pointer can cause minor injuries or lead to material damages.



#### **INFORMATION!**

Denotes application pointers and other useful information.

#### 1.2 General Pointers



#### **INFORMATION**

This device was manufactured according to DIN EN ISO 9001 and left the factory in a perfect state. In order to maintain this state and to assure the safe operation, the user must consider the pointers and warning remarks, which are contained in this instruction manual.

Please check immediately: Is the device damaged or is any equipment missing? (See chapter Commissioning) In the case of defect please inform us immediately.



#### **CAUTION**

#### **Intended Use**

These products are **not** designed, developed and produced for use, which pose fatal risks and dangers that may cause death, injuries, serious physical impairments or other loss, if no exceptional security measures are ensured. Thus there are limitations for use in the monitoring of nuclear reactions in nuclear power plants, flight control systems, air traffic control, in the control of mass transportation, medical life support systems and control of weapon systems.

# Touch-it CE OEM GLASS 7

## Operating Instructions

If the device is used for other purposes or incorrectly operated, Christ Electronic Systems GmbH will not hold damages liable.

Do not operate the touch-sensitive surface of the screen with any abrasive or sharp-edged objects.

Protect the Touch-it Panel PC against caustic chemicals and long solar radiation.

Never cover the Touch-it Panel PC completely or build it in a small closed and unvented housing.

This is a Class A product. In a domestic environment this product may cause radio interference, in which case the user may be required to take adequate measures.



### **DANGER**

In the case of damage of the device, shut it down and disconnect it immediately from the supply voltage.

Disconnect every connection line and send it back to Christ Electronic Systems GmbH.

Only the qualified staffs are allowed to carry out the repairs. The incorrect repair may lead to serious danger for the user.

## 1.3 Cleaning



### **INFORMATION**

Use a humid and soft cloth with gentle soap suds to clean.



### **CAUTION**

Do not clean the touch-sensitive surface of the monitor with detergents containing solvent or acid.

# Touch-it CE OEM GLASS 7

## Operating Instructions

### 1.4 Explosion Protection and Certification












#### INFORMATION

The device is certificated of ATEX and IECEx.

The device is also certificated for operation in the US and Canada and comply with FCC regulations.

The certification is available on request.

#### Type label:

	FCC ID: 2AVB6-E707550			
Type: <b>Touch-it CE OEM glass 7</b>		Alpenstraße 34 87700 Memmingen		
	II 3D Ex tc IIIC T85° Dc EPS 18 ATEX 1 158 X	IP65		
Product ID:	E707550			
Revision:	Rev. 4			
Serial no:	 00988912-000-00			
Date:	 2020-01			
Input:	PoE(IEEE 802.3af): 48V 			
		Made in Germany		

#### International Certification:

#### USA:

#### FCC (Federal Communications Commission)

The device complies with Part 15 of the FCC Rules. Operation is subject to the following two conditions:

(1) This device may not cause any harmful interference. (2) This device must accept any interference received, including interference that may cause undesired operations.

Changes or modifications not expressly approved by the party responsible for compliance could void the user's authority to operate the equipment. NOTE: This equipment has been tested and found comply with the limits of Class A digital device, pursuant to part 15 of the FCC Rules. These limits are designed to provide reasonable protection against harmful interference in a commercial environment. This equipment generates, uses and can radiate radio frequency energy and, if not installed and used in accordance with the instructions, may cause harmful interference to radio communications. Operation of this equipment in a resident area is likely to cause harmful interference in which case the user will be required to correct the interference at his own expense.



#### CAUTION

During assembly or disassembly of the device, there must be no explosive atmosphere. This also includes the insertion or removal of the Ethernet interface.

# Touch-it CE OEM GLASS 7

## *Operating Instructions*

# Touch-it CE OEM GLASS 7

## Operating Instructions

### 2 Technical Data

#### 2.1 System

<b>CPU</b>	NXP i.MX6DL, DualCore 1 GHz
<b>Graphic</b>	3D Vivante GC880 2D Vivante GC320
<b>Video Decoder</b>	H.264, MPEG-4/XviD, MPEG-2, H.263
<b>Memory</b>	1 GB DDR3 RAM
<b>Storage</b>	4 GB NAND FLASH Internal: MicroSD (up to 32GB)
<b>CMOS Battery</b>	RTC Lithium Battery (optional)
<b>Operating System</b>	Linux Embedded

#### 2.2 Power Supply

<b>Supply Voltage</b>	PoE (IEEE 802.3af): 48Vdc
<b>Power Consumption</b>	9 W
<b>Power Switch</b>	No

#### 2.3 Mechanical & Environmental

<b>Housing Front</b>	Glass, Black Frame
<b>Housing</b>	Aluminium / Silver
<b>Dimensions</b>	196.5 mm x 135.5 mm x 49.0 mm
<b>Weight</b>	0.6 kg
<b>Cooling</b>	Passive
<b>Operating Temperature</b>	0 ~ 50 °C
<b>Storage Temperature</b>	-10 ~ 70 °C
<b>Humidity</b>	5 ~ 80 % (non condensing)
<b>Protection Class</b>	IP65
<b>Certification</b>	CE, EN55032 Class A, EN55024, ATEX, IECEx, UL, FCC



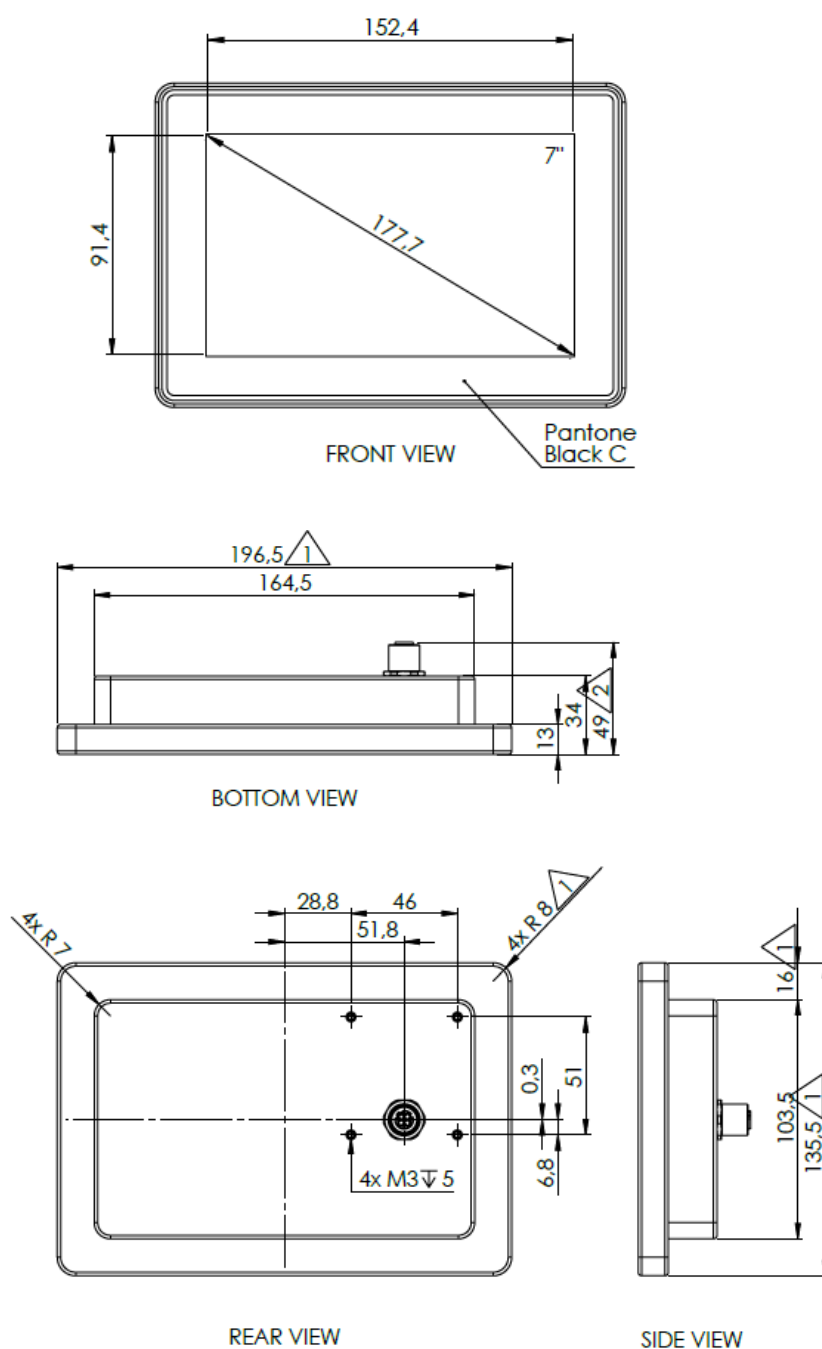
# Touch-it CE OEM GLASS 7

## Operating Instructions

### 3 Commissioning

#### 3.1 Technical Drawing

The Touch-it CE OEM glass 7 is designed for customer specific mounting.



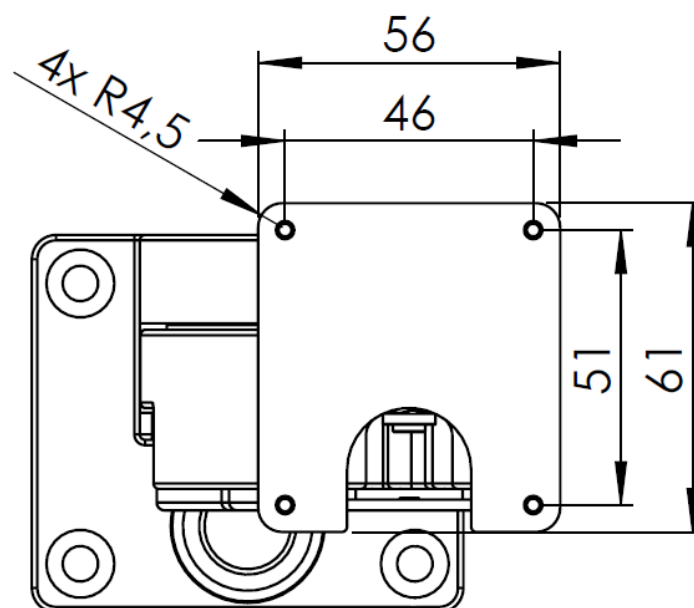
# Touch-it CE OEM GLASS 7

## Operating Instructions

### 3.2 Mounting

Mounting of the device on the support arm with four countersunk screws.

**Screw** 4 x countersunk screw DIN EN ISO 14581; M3 x 8



### 3.3 Interface

**LAN** 1 x 100Mbit Ethernet with PoE (IEEE 802.3af): 48Vdc



**Type** M12 Female Flange Plug D Coded Front Mount

Pin	Function	Description
1	ETH_TX_P	Transmit Data+
2	ETH_TX_N	Transmit Data -
3	ETH_RX_P	Receive Data +
4	ETH_RX_N	Receive Data -

# Touch-it CE OEM GLASS 7

## Operating Instructions

### 4 Software

The highly customized software consists of:

- **Bootloader: Das U-Boot**
- **Linux (poky/ces-fb based)**
- **Kiosk browser based on chromium**

The system is configured to load a pre-set webpage and offer no additional method of configuration and does not allow any other use for the operator.

The system admin can configure the system via ssh.

#### 4.1 Accessing the System

##### 4.1.1 Accessing the System via SSH (Secure Shell)

SSH can be used for encrypted login over the network or for encrypted file transfer between your PC and the device.

```
ssh root@ <IP address of the device>
```

Example:

```
user@linux-pc:~$ ssh root@10.15.15.16
The authenticity of host '10.15.15.16 (10.15.15.16)' can't be established.
RSA key fingerprint is 54:09:6d:2e:c6:b3:09:06:8d:4b:a8:0c:a8:7d:64:4a.
Are you sure you want to continue connecting (yes/no)? yes
Warning: Permanently added '10.15.15.16' (RSA) to the list of known hosts.
root@10.15.15.174's password:
root@pixidl:~#
```

SSH uses port 22. User name and password are the same as for serial (RS232) login.

```
User: root
```

```
Password: root123
```

Because the IP address of the device is set to DHCP, **nmap** can be used to scan for the evalkit.

```
sudo nmap -sP <network identifier/netmask>
```

# Touch-it CE OEM GLASS 7

## *Operating Instructions*

Example:

```
sudo nmap -sP 10.15.15.0/24
```

This scans from IP address 10.15.15.0 to 10.15.15.255

---

## **4.2 Rebuilding the Image**

---

Our source repositories and short instructions on how to rebuild the image can be found on:

<https://github.com/software-celo/ces-bsp-platform>.

---

## **4.3 Recover the Delivery State**

---

To recover the delivery state of the image you can follow the instructions found in the CURT User Guide

<https://chriselectronicssystemsbbox.com/v/curt-manual> (PA10002483).

# Touch-it CE OEM GLASS 7

## Operating Instructions

### DISCLAIMER

Technical data are subject to modification and delivery subject to availability. Any liability that the data and illustrations are complete, actual or correct is excluded. Designations may be trademarks and/or copyrights of the respective manufacturer, the use of which by third parties for their own purposes may infringe the rights of such owner.



**CHRIST ELECTRONIC SYSTEMS GMBH**  
**MANUFACTURER OF INDUSTRIAL ELECTRONICS**

### CONTACT

Christ Electronic Systems GmbH  
Alpenstraße 34  
87700 Memmingen  
Phone: +49 8331/ 83710  
[www.christ-es.de](http://www.christ-es.de)

### FROM IDEAS TO REALITY

We are a German developer and manufacturer of innovative HMI-systems for demanding industrial applications. Christ offers an extensive range of

TOUCH PANEL PCs  
TOUCH MONITORS  
SINGLE BOARD COMPUTER  
VISUALISATION SYSTEMS

|x86 & ARM  
|7" – 24"  
|Windows & Linux  
|HMI & SCADA

Copyright / © Christ Electronic Systems GmbH  
a member of the Christ Company Group

12 / 13

Feb. 2020, Revision 02  
Document No.: PA10003490