



E966P Super Screen Size for Broadband Communication



Note

- Before using the product, please read the Quick Guide to fully benefit from it
- This product involves constant upgrading and/or improvement, our company reserves the right to change the specifications of software and/or hardware mentioned in this operating guide without any prior notice. The product specifications and information mentioned in the operating guide are for reference only.

Check list

- Please check the following accessories before you discard the packing material. Please contact your local dealer immediately if there is any missing or damage parts.

Accessories	Quantity
E966P	1
USB Data Cable	1
4500mAh Battery	1
Belt Clip	1
Quick Start Guide	1

1.OVERVIEW OF E966P

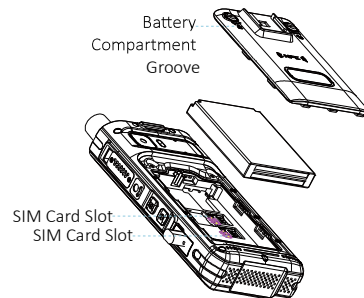


■ LED indicator light

Operating state	Indication
USB Charging	Red (Blinking)
No Network	Red (Steady)
Standby Mode	Green (Steady)
PTT	Green (Steady)
PTT Receiving/ Queuing	Green (Blinking)
Emergency Initiation	Blue (Blinking)
Emergency Call Ongoing	Blue (Steady)

2. DUAL SIM CARD & MEMORY CARD INSTALLATION

1. Turn the left screw of the battery cover counterclockwise, and the right screw of the battery cover clockwise, open it and remove battery
2. Install the SIM card and /or memory card by sliding the retainer to the "open" position. Once inserted simply slide the retainer to the "locked" position.
4. Put back the battery and the battery cover and press the cover firmly before clockwise/counterclockwise the screw.

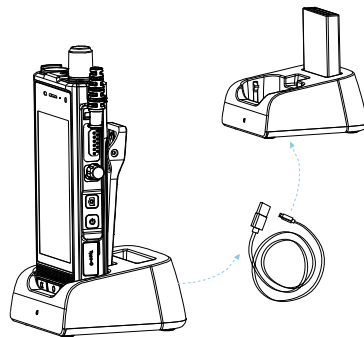


3. DOCK CHARGING (OPTIBAL ACCESSORY)

Step 1: Plug the appropriate Type C cable into the back of the dock and into the USB wall charging socket.

Step 2: Slot the E966P or battery into the dock as picture.

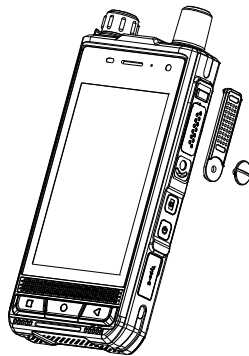
Attention: Please read the information label at the bottom of the dock before charging for the first time.



4. ACCESSORIES INSTALLATION THROUGH M6 CONNECTOR

Step 1: Remove the M6 port cover. the M6 port is at the right side of device as shown in this photo.

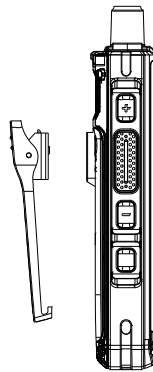
Step 2: Connect Estalky optional accessories using the M6 port, Tighten the screws but do not over tighten.



5. BELT CLIP INSTALLATION

Step 1: Place belt clip on the bracket which located in the back of device, below the camera position.

Step 2: Push from Top to end until it is fixed with device, but do not do over tighten or hard push.



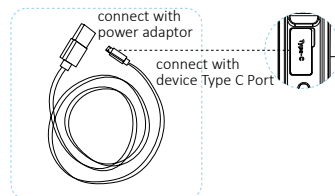
6. Using TYPE C Data Cable

Connect the device with power adaptor using the type C data cable.

- * Red light on the device indicate battery charging in progress
- * Light off indicate fully charged

Waring:

- * Do not use cradle charging and type c data cable charging at the same time.
- * Use only approved and certificated charger.
- * Battery must be fully charged before first time.
- * Do not expose the battery to high temperature



■ Troubleshooting

No	Problem	Solution
1	Silent, no response	<ul style="list-style-type: none">●Battery might be drained, please replace the battery or charge it.●Battery might not be installed correctly, please replace it with a fully charged battery or charge the battery.●Check if the device has been power on.●Check the volume level.●Check if the external audio accessory is connected.
2	Unable to make / receive calls	<ul style="list-style-type: none">●Check if you are in the same group.●Check whether the network is connected
3	Battery drained rapidly	<ul style="list-style-type: none">●Turn off the power/volume switch when using.●Shut down the Wi-Fi and GPS if not in use.
4	Cannot Charge	<ul style="list-style-type: none">●check type c data cable,replace if faulty

■ Technical Specification

1. Main CPU & SW

ARM	MT6761 Quad-Core CPU,2.0Ghz,Support Pin-Pin Octa-Core CPU
Android	Android 8.1OS(Later10.0OS)
Language	Muti-language

2. Memory

RAM+ROM	2GB+16GB(Optional 3GB+32GB)
SD Card	32GB

3. LCD

LCD	4"
LCD resolution	854 x 480dpi
LCD Colors	16M color IPS TFT
Surface treatment	Anti-glare

4. Touch

Touch type & size	G+F+F,Support glove wear touch
Glass	Gorilla Glass
Multi-touch	5

5. Sensor

G-Sensor & Acceleration Sensor /Proximity Sensor/Light Sensor/E-compass/Gyro-sensor	
---	--

6. WCDMA & LTE	
GSM	850/900/1800/1900
WCDMA	B1/B2/B4/B5/B8
FDD-LTE	B1/B2/B3/B4/B5/B7/B8/ B12/B13/B14/B17/B20/ B28(A&B)
7. Camera	
Back:8M with focus Front:5M Flash Light:real light	
8. Wi-Fi	
IEEE802.11a/b/g/n	
9. GPS	
GPS +Beidou+Glonass	
10. Battery	
4500mah with MSDS,UN38.3	
11. Bluetooth	
Version	BT v4.0 with BLE BT2.1+EDR(Enhanced Data Rate)
Power	(Min) Class 2
Operation distance	(Min) 10 meter

7. Basic Operation

Startup: Press the power on button for 3 seconds, Once the screen goes light up, You will see the "Startup", it indicate successful login

Shut Down: Press the power off button for 3 seconds, Once the screen goes blank, the smart terminal is fully shut down.

Group Selection:

Screen blank ● Rotate the top knob , the current group will be announced.

Screen lighted ● Rotate the knob, you will hear the "tinkle" tone

Unlock ● Press Power on/off button to unlock the device


Group Call:

● Press and hold the PTT button until you hear the Permit Tone.

● You are now connected to the Group.

● You may begin to talk.

● Release PTT button to end the call and the device will be in the receiving mode.



Emergency Call: Press and hold the top Emergency button for 3 seconds and an emergency call will be made to the Console.

Outgoing Call: POC device can do mobile calls, VoIP call and Dynamic PTT. After keying number, select the mode of outgoing call.

Low Battery Warning: When the battery power falls below 20%, a "beeping" tone will be heard.

Document Manager: Select document manager, you will see all folders including pictures and videos.

Camera: Short press camera button goes into picture taking. Long press the camera button goes into the video taking.



■ Important Tips

To help you make better use of the product, be sure to observe the following instructions:

1. Do not use any unauthorized or damaged accessory.
2. Do not keep the product receiving at high volume for a long time.
3. Please operate the product within the specified temperature range.
4. Continuous transmission for a long time may lead to heat accumulation within the product. In this case, please keep it at a proper location for cooling.
5. Do not disassemble, modify or repair the product and its accessories without authorization.


■ Precautions for Portable Terminals

To help you ward off bodily injury or property loss that may arise from improper operation, please read all the information carefully before using our products.

■ Operation Prohibitions

To protect you against any property loss, bodily injury or even death, be sure to observe the following safety instructions:

1. Do not operate the product in a location containing fuels, chemicals, explosive atmospheres and other flammable or explosive materials. In such location, only an approved Ex-protection model is allowed for use, but any attempt to assemble or disassemble it is strictly prohibited.
2. Do not operate the product near any medical or electronic equipment that is vulnerable to RF signals.
3. Do not operate the product in any area while use of wireless communication equipment is completely prohibited.

FCC Warning

This device complies with part 15 of the FCC Rules. Operation is subject to the following two conditions: (1) This device may not cause harmful interference, and (2) this device must accept any interference received, including interference that may cause undesired operation.

Any Changes or modifications not expressly approved by the party responsible for compliance could void the user's authority to operate the equipment.

Note: This equipment has been tested and found to comply with the limits for a Class B digital device, pursuant to part 15 of the FCC Rules. These limits are designed to provide reasonable protection against harmful interference in a residential installation. This equipment generates uses and can radiate radio frequency energy and, if not installed and used in accordance with the instructions, may cause harmful interference to radio communications. However, there is no guarantee that interference will not occur in a particular installation. If this equipment does cause harmful interference to radio or television reception, which can be determined by turning the equipment off and on, the user is encouraged to try to correct the interference by one or more of the following measures:

- ▶ -Reorient or relocate the receiving antenna.
- ▶ -Increase the separation between the equipment and receiver.
- ▶ -Connect the equipment into an outlet on a circuit different from that to which the receiver is connected.
- ▶ -Consult the dealer or an experienced radio/TV technician for help.

Specific Absorption Rate (SAR) information:

This Multi Mode 4G Android PTT Phone meets the government's requirements for exposure to radio waves. The guidelines are based on standards that were developed by independent scientific organizations through periodic and thorough evaluation of scientific studies. The standards include a substantial safety margin designed to assure the safety of all persons regardless of age or health.

FCC RF Exposure Information and Statement

The SAR limit of USA (FCC) is 1.6 W/kg averaged over one gram of tissue. Device types: Multi Mode 4G Android PTT Phone (FCC ID: 2AVAF-E966) has also been tested against this SAR limit. The highest SAR value reported under this standard during product certification for use at the ear is 0.682W/kg and when properly worn on the body is 0.593W/kg. the Hotspot SAR value is 0.593W/kg, the simultaneous transmission SAR value is 1.068 W/kg on the head and 0.929W/ kg on the body. This device was tested for typical body-worn operations with the back of the handset kept 10mm from the body. To maintain compliance with FCC RF exposure requirements, use accessories that maintain a 10mm separation distance between the user's body and the back of the handset. The use of belt clips, holsters and similar accessories should not contain metallic components in its assembly. The use of accessories that do not satisfy these requirements may not comply with FCC RF exposure requirements, and should be avoided.

Body-worn Operation

This device was tested for typical body-worn operations. To comply with RF

exposure requirements, a minimum separation distance of 10mm must be maintained between the user's body and the handset, including the antenna. Third-party belt-clips, holsters, and similar accessories used by this device should not contain any metallic components. Body-worn accessories that do not meet these requirements may not comply with RF exposure requirements and should be avoided. Use only the supplied or an approved antenna.

This transmitter may operate with the antenna(s) documented in this filing in Push-to-Talk and body-worn configurations. RF exposure compliance is limited to the specific belt-clip and accessory configurations as documented in this filing and the separation distance between user and the device or its antenna shall be at least 2.5 cm.

IC Warning

This device complies with Industry Canada licence-exempt RSS standard(s). Operation is subject to the following two conditions:

- (1) This device may not cause interference, and
- (2) This device must accept any interference, including interference that may cause undesired operation of the device.

RF Exposure Information and Statement

The SAR limit of USA is 1.6 W/kg averaged over one gram of tissue. Device types: Multi Mode 4G Android PTT Phone (IC: 26705-E966) has also been tested against this SAR limit. The highest SAR value reported under this standard during product certification for use at the ear is 0.682W/kg and when properly worn on the body is 0.593W/kg. This device was tested for typical body-worn operations with the back of the handset kept 10mm from the body. To maintain compliance with IC RF exposure requirements, use accessories that maintain a 10mm separation distance between the user's body and the back of the handset. The use of belt clips, holsters and similar accessories should not contain metallic components in its assembly. The use of accessories that do not satisfy these requirements may not comply with IC RF exposure requirements, and should be avoided. **Body-worn Operation** This device was tested for typical body-worn operations. To comply with RF exposure requirements, a minimum separation distance of 10mm must be maintained between the user's body and the handset, including the antenna. Third-party belt-clips, holsters, and similar accessories used by this device should not contain any metallic components. Body-worn accessories that do not meet these requirements may not comply with RF exposure requirements and should be avoided. Use only the supplied or an approved antenna.

This transmitter may operate with the antenna(s) documented in this filing in Push-to-Talk and body-worn configurations. RF exposure compliance is limited to the specific belt-clip and accessory configurations as documented in this filing and the separation distance between user and the device or its antenna shall be at least 2.5 cm.

Le présent appareil est conforme aux CNR d'Industrie Canada applicables aux appareils radio exempts de licence. L'exploitation est autorisée aux deux conditions suivantes:

- (1) l'appareil ne doit pas produire de brouillage, et
- (2) l'utilisateur de l'appareil doit accepter tout brouillage radioélectrique subi, même si le

brouillage est susceptible d'en compromettre le fonctionnement

RF exposition Information et Déclaration

La limite SAR des Etats-Unis est de 1,6 W / kg en moyenne par gramme de tissu. Types d'appareil: Multi Mode 4G Android PTT Phone (IC: 26705-E966) a également été testé contre ces valeurs. La valeur SAR la plus élevée déclarée en vertu de cette norme lors de la certification de produit pour une utilisation à l'oreille est 0.682W / kg et lorsqu'il est correctement porté sur le corps est 0.593W / kg. Ce dispositif a été testé pour les opérations typiques portés sur le corps avec le dos du combiné gardé 10mm du corps. Afin de maintenir la conformité aux exigences de la IC, utilisez des accessoires qui maintiennent une distance de séparation 10mm entre le corps de l'utilisateur et le dos du combiné. L'utilisation de pinces de ceinture, étuis et accessoires similaires ne doivent pas contenir de composants métalliques dans son ensemble. L'utilisation d'accessoires qui ne satisfont pas à ces exigences ne peuvent pas se conformer aux exigences de la IC, et devrait être évitée. Porté au corps Opération Ce dispositif a été testé pour les opérations typiques portés sur le corps. Pour se conformer aux exigences d'exposition aux radiofréquences, une distance de séparation minimale de 10mm doit être maintenue entre le corps de l'utilisateur et le combiné, y compris l'antenne. Tiers pinces de ceinture, étuis et autres accessoires similaires utilisés par ce dispositif ne doit pas contenir de composants métalliques. accessoires qui ne répondent pas à ces exigences peut ne pas se conformer aux exigences d'exposition RF et doit être évité Body-porté. Utilisez uniquement l'antenne fournie ou une approbation.

* RF warning for Portable device:

The device has been evaluated to meet general RF exposure requirement. The device can be used in portable exposure condition without restriction.



■ **Manufactured by**

K-Mobile Technology Co.,Ltd

■ **By Estalky Brand**

Add: NO 1109-1110,C1 Block,bantian
international center,NO 5 huancheng
south road,longgang district,shenzhen

Web: www.estalky.com