

Connect the IP smart terminal and power adapter using the USB Data Cable. Red light on the IP smart terminal indicates battery charging in progress. Lights off indicates fully charged.

WARNING: DO NOT USE THE ABOVE TWO CHARGING METHODS SIMULTANEOUSLY.

Important:
Use only the approved and certified charger. Battery must be fully charged before first use. Do not expose the battery to high temperature. Do not dismantle the battery.

3.Basic operations

Startup

Press the power on button for 3 seconds, Once the screen goes light up, You will see the "Startup", it indicates successful login.

● Shut Down

Press the power off button for 3 seconds, Once the screen goes blank, the smart terminal is fully shut down.

Screen interaction

Channel Switch

● Single Click: Lighten the screen/ enter a menu or choose an option

● Long Press: Back to the previous menu

Double Click: When you are connecting the WIFI and inputting password, double click to input lowercase

Switch clockwise/counterclockwise:
Switch/back to the next/ previous menu item

● WiFi Connection

Go to the Settings > WiFi interface. Enable the WIFI option (single click to revert the status), switch to find the right access point you want to connect to, single click the right access point then input the password in (Single click to input uppercase, double click to input lowercase). Switch to select inputting characters. Click "√" to confirm / exit the password inputting.

● GPS Location

Go to the Settings > Location interface, single click to enable or disable GPS location.

● Date & Time Configuration

Go to the Settings > Date&Time interface, single click to configure time display format.

● Bluetooth Connection

Go to the Settings > Bluetooth interface, Switch to choose "PTT Button", single click to enable Bluetooth connection, after Scanning for a while, switch and find the right device name, single click to confirm bonding to the Bluetooth button, others Bluetooth device please choose "Headset" with the same operation.

● Cellular Data Connection

Go to the Settings > Cellular data interface, single click to revert enable or disable cellular data connection.

● Flashlight

Go to the Settings > Flashlight interface, single click to turn on/ pff the flashlight. or Press the Vol- and Programmable button at the same time to turn on/off it.

● Battery Percentage

Go to the Settings > Battery percentage interface, single click to show / hide the battery percentage status on the display screen.

● Language

Go to the Settings > Language interface, switch and single click to choose the right language.

● Factory Reset

Go to the Settings > Reset interface, under the interface "Are you sure about recovery?", switch the options, choose "Yes" to reset and "No" to exit.

● System Information

Go to the Settings > About interface, find the device and SIM card information including Operation System Version, IMEI Code, Battery Percent, SIM Name, SIM Level, SIM Type.

● System Update

Go to Settings > System Update interface, single click to check updates.

● Push-To-Talk Application

Go to the PTT item, single click to enter in the PTT application interface. Switch between different groups to execute instant communication

ESTALKY

T: 86 0755-28267073

Brand website: www.estalky.com

NO 1109-1110,C1 Block,bantian international center,NO 5 huancheng south road,longgang district,shenzhen



E550

● Note

Before using the product, please read the Quick Guide to fully benefit from it. Warranty period is 1 year from date of purchase.

This product involves constant upgrading and/or improvement, our company reserves the right to change the specifications of software and/or hardware mentioned in this operating guide without any prior notice. The product specifications and information mentioned in the operating guide are for reference only.

● Check list

Please check the following accessories before you discard the packing material. Please contact your local dealer immediately if there is any missing or damage parts.

Accessories	Quantity
E550	1
USB Data Cable	1
Battery	1
Charging Plug	1
Quick Start Guide	1

Overview of E550

LED indicator light



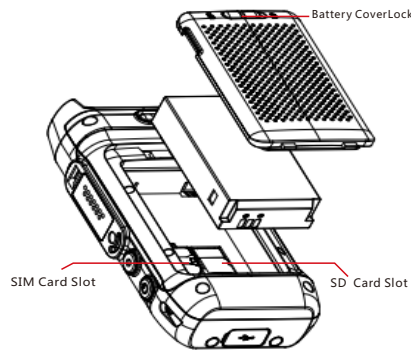
Indication

● LED indicator light

Operating state	Indication
Standby	Green(Blinking)
Searching Network	Green(Fast Blinking)
Low Battery	Red(Blinking)
Charging	Red(Steady)
PTT Transmitting	PTT Transmitting
PTT Receiving	Green(Steady)

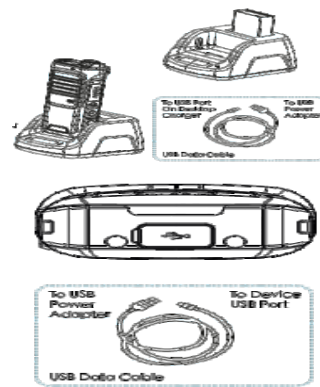
—Installation of SIM card

1. Anticlockwise the switch of battery cover, open it and remove battery
2. Insert the SIM card as shown in the picture
3. Insert the SD card into the slot as shown in the picture
4. Put back the battery and the battery cover and press the cover firmly before clockwise the switch



3. Charging the Battery

● Using Desktop Charger



Connect the Desktop Charger and the Power Adapter using the USB Data Cable.

Red light on the desktop charger indicates battery charging in progress.

Green light on the desktop charger indicates fully charged

● Using USB Data Cable



E550

FCC Warning

a、 § 15.19 Labeling requirements.

This device complies with part 15 of the FCC Rules. Operation is subject to the following two conditions: (1) This device may not cause harmful interference, and (2) this device must accept any interference received, including interference that may cause undesired operation.

b、 § 15.21 Changes or modification warning.

Any Changes or modifications not expressly approved by the party responsible for compliance could void the user's authority to operate the equipment.

c、 § 15.105 Information to the user.

Note: This equipment has been tested and found to comply with the limits for a Class B digital device, pursuant to part 15 of the FCC Rules. These limits are designed to provide reasonable protection against harmful interference in a residential installation. This equipment generates uses and can radiate radio frequency energy and, if not installed and used in accordance with the instructions, may cause harmful interference to radio communications. However, there is no guarantee that interference will not occur in a particular installation. If this equipment does cause harmful interference to radio or television reception, which can be determined by turning the equipment off and on, the user is encouraged to try to correct the interference by one or more of the following measures:

- ▶ -Reorient or relocate the receiving antenna.
- ▶ -Increase the separation between the equipment and receiver.

- ▶ -Connect the equipment into an outlet on a circuit different from that to which the receiver is connected.
- ▶ -Consult the dealer or an experienced radio/TV technician for help.

d、 Specific Absorption Rate (SAR) information:

This Smart Poc Radio meets the government's requirements for exposure to radio waves. The guidelines are based on standards that were developed by independent scientific organizations through periodic and thorough evaluation of scientific studies. The standards include a substantial safety margin designed to assure the safety of all persons regardless of age or health.

e、 FCC RF Exposure Information and Statement

The SAR limit of USA (FCC) is 1.6 W/kg averaged over one gram of tissue. Device types: Smart Poc Radio (FCC ID: 2AVAF-E550B) has

also been tested against this SAR limit. The highest SAR value reported under this standard during product certification for use at when properly worn on the body is 0.909W/kg. This device was tested for typical body-worn operations with the back of the handset kept 1.0cm from the body. To maintain compliance with FCC RF exposure requirements, use accessories that maintain a 1.0cm separation distance between the user's body and the back of the handset. The use of belt clips, holsters and similar accessories should not contain metallic components in its assembly. The use of accessories that do not satisfy these requirements may not comply with FCC RF exposure requirements, and should be avoided.

f、 Body-worn Operation

This device was tested for typical body-worn operations. To comply with RF exposure requirements, a minimum separation distance of **10**

mm must be maintained between the user's body and the handset, including the antenna. Third-party belt-clips, holsters, and similar accessories used by this device should not contain any metallic components. Body-worn accessories that do not meet these requirements may not comply with RF exposure requirements and should be avoided. Use only the supplied or an approved antenna.

.