

# TEST REPORT

Product Name: Multimedia all in one interactive display

Trademark: N/A

Model Number: DT-I75XX, DT-I32XX, DT-I43XX, DT-I49X, DT-I55XX, DT-I65XX, DT-I85XX, DT-I86XX, DT-I98XX, DT-I100XX, DT-O32XX, DT-O43XX, DT-O49X, DT-O55XX, DT-O65XX, DT-O75XX, DT-O85XX, DT-O86XX, DT-O98XX, DT-O100XX, DT-TV32XX, DT-TV43XX, DT-TV49XX, DT-TV55XX, DT-TV65XX, DT-TV75XX, DT-TV85XX, DT-TV86XX, DT-TV98XX, DT-TV100XX, DT-C32XX, DT-C43XX, DT-C49XX, DT-C55XX, DT-C65XX, DT-C75XX, DT-C85XX, DT-C86XX, DT-C98XX, DT-C100XX

Prepared For: Shenzhen Devops Technology Co., Ltd.

Address: 802, Tower H, ChuangxinYungu, No.48 Paotai Rd, Gongming Street, Shenzhen, China

Manufacturer: Shenzhen Devops Technology Co., Ltd.

Address: 802, Tower H, ChuangxinYungu, No.48 Paotai Rd, Gongming Street, Shenzhen, China

Prepared By: Shenzhen CTB Testing Technology Co., Ltd.

Address: Floor 1&2, Building A, No. 26 of Xinhe Road, Xinqiao Community, Xinqiao Street, Baoan District, Shenzhen, Guangdong China

Sample Received Date: May 22, 2020

Sample tested Date: May 22, 2020 to May 25, 2020

Issue Date: May 25, 2020

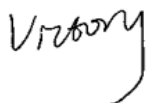
Report No.: CTB200525015RFX

Test Standards: 47 CFR Part 15 Subpart E

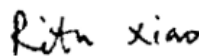
Test Results: PASS

Remark: This is Client without radar detection function radio test report.

Compiled by:

Victory

Reviewed by:

Rita Xiao

Approved by:

Sherwin Qian/ Director

*The test report is effective only with both signature and specialized stamp. This result(s) shown in this report refer only to the sample(s) tested. Without written approval of Shenzhen CTB Testing Technology Co., Ltd. this report can't be reproduced except in full. The tested sample(s) and the sample information are provided by the client.*

## TABLE OF CONTENT

Test Report Declaration	Page
<b>1. VERSION</b> .....	3
<b>2. TEST SUMMARY</b> .....	4
<b>3. MEASUREMENT UNCERTAINTY</b> .....	5
<b>4. PRODUCT INFORMATION AND TEST SETUP</b> .....	6
4.1 Product Information .....	6
4.2 Test Setup Configuration .....	7
4.3 Support Equipment .....	7
4.4 Channel List .....	8
4.5 Test Mode .....	9
4.6 Test Environment .....	9
<b>5. TEST FACILITY AND TEST INSTRUMENT USED</b> .....	10
5.1 Test Facility .....	10
5.2 Test Instrument Used .....	10
<b>6. TECHNICAL REQUIREMENTS FOR DFS</b> .....	12
6.1 Applicability of DFS Requirements .....	12
6.2 DFS Detection Thresholds and Response Requirement .....	12
6.3 Radar Test Waveforms .....	13
<b>7. DFS DETECTION THRESHOLD LEVELS</b> .....	19
<b>8. CONDUCTED TEST PROCEDURE</b> .....	22
<b>9. EUT PHOTOGRAPHS</b> .....	24
<b>10. EUT TEST SETUP PHOTOGRAPHS</b> .....	25

*(Note: N/A means not applicable)*

## 1. VERSION

Report No.	Issue Date	Description	Approved
CTB200525015RFX	May 25, 2020	Original	Valid

## 2. TEST SUMMARY

The Product has been tested according to the following specifications:

Test Item	Test Requirement	Test method	Result
DFS Detection Threshold	47 CFR Part 15 Subpart E Section 15.407 (h)(2)	KDB 905462 D02	N/A
Channel Availability Check Time	47 CFR Part 15 Subpart E Section 15.407 (h)(2)(ii)	KDB 905462 D02	N/A
U-NII Detection Bandwidth	47 CFR Part 15 Subpart E Section 15.407 (h)(2)	KDB 905462 D02	N/A
Channel Closing Transmission Time	47 CFR Part 15 Subpart E Section 15.407 (h)(2)(iii)	KDB 905462 D02	PASS
Channel Move Time	47 CFR Part 15 Subpart E Section 15.407 (h)(2)(iii)	KDB 905462 D02	PASS
Non-Occupancy Period	47 CFR Part 15 Subpart E Section 15.407 (h)(2)(iv)	KDB 905462 D02	PASS

Remark:

The tested sample and the sample information are provided by the client.

Tx: In this whole report Tx (or tx) means Transmitter.

Rx: In this whole report Rx (or rx) means Receiver.

RF: In this whole report RF means Radiated Frequency.

CH: In this whole report CH means channel.

Volt: In this whole report Volt means Voltage.

Temp: In this whole report Temp means Temperature.

Humid: In this whole report Humid means humidity.

Press: In this whole report Press means Pressure.

N/A: In this whole report not application.

### 3. MEASUREMENT UNCERTAINTY

Where relevant, the following measurement uncertainty levels have been estimated for tests performed on the Product as specified in CISPR 16-4-2. This uncertainty represents an expanded uncertainty expressed at approximately the 95% confidence level using a coverage factor of  $k=2$ .

No.	Item	Uncertainty
1	Occupancy bandwidth	$U = \pm 54.3\text{Hz}$
2	Adjacent channel power	$U = \pm 1.3\text{dB}$
3	Conducted Adjacent channel power	$U = \pm 1.38\text{dB}$
4	Conducted output power Above 1G	$U = \pm 1.0\text{dB}$
5	Conducted output power below 1G	$U = \pm 0.9\text{dB}$
6	Power Spectral Density , Conduction	$U = \pm 1.0\text{dB}$
7	Conduction spurious emissions	$U = \pm 2.8\text{dB}$
8	Out of band emission	$U = \pm 54\text{Hz}$
9	3m chamber Radiated spurious emission(30MHz-1GHz)	$U = \pm 4.3\text{dB}$
10	3m chamber Radiated spurious emission(1GHz-18GHz)	$U = \pm 4.5\text{dB}$
11	humidity uncertainty	$U = \pm 5.3\%$
12	Temperature uncertainty	$U = \pm 0.59^\circ\text{C}$
13	Supply volyages	$U = \pm 3\%$
14	Time	$U = \pm 5\%$

## 4. PRODUCT INFORMATION AND TEST SETUP

### 4.1 Product Information

Model(s):	DT-I75XX, DT-I32XX, DT-I43XX, DT-I49X, DT-I55XX, DT-I65XX, DT-I85XX, DT-I86XX, DT-I98XX, DT-I100XX, DT-O32XX, DT-O43XX, DT-O49X, DT-O55XX, DT-O65XX, DT-O75XX, DT-O85XX, DT-O86XX, DT-O98XX, DT-O100XX, DT-TV32XX, DT-TV43XX, DT-TV49XX, DT-TV55XX, DT-TV65XX, DT-TV75XX, DT-TV85XX, DT-TV86XX, DT-TV98XX, DT-TV100XX, DT-C32XX, DT-C43XX, DT-C49XX, DT-C55XX, DT-C65XX, DT-C75XX, DT-C85XX, DT-C86XX, DT-C98XX, DT-C100XX
Model Description:	All model's the function, software and electric circuit are the same, only with a product model named different. Test sample model: DT-I75XX
Wi-Fi Specification:	IEEE 802.11a/b/g/n/ac
Hardware Version:	V1.0
Software Version:	V1.0
Operation Frequency:	<p>WIFI:</p> <p>IEEE 802.11b/g/n 20: 2412-2472MHz/ 13 channel</p> <p>IEEE 802.11n 40: 2422-2462MHz/ 9 channel</p> <p>IEEE 802.11a/n/ac(20M): 5150MHz ~5250MHz/ 4 channel</p> <p>IEEE 802.11n/ac(40M): 5150MHz ~5250MHz/ 2 channel</p> <p>IEEE 802.11ac(80M): 5150MHz ~5250MHz/ 1 channel</p> <p>IEEE 802.11a/n/ac(20M): 5250MHz ~5350 MHz/ 4 channel</p> <p>IEEE802.11n/ac(40M): 5250MHz ~5350 MHz/ 2 channel</p> <p>IEEE802.11ac(80M): 5250MHz ~5350 MHz/ 1 channel</p> <p>IEEE 802.11a/n/ac(20M): 5470MHz ~5725 MHz/ 11 channel</p> <p>IEEE802.11n/ac(40M): 5470MHz ~5725 MHz/ 5 channel</p> <p>IEEE802.11ac(80M): 5470MHz ~5725 MHz/ 3 channel</p> <p>IEEE 802.11a/n/ac(20M): 5725MHz ~5850MHz/ 5 channel</p> <p>IEEE 802.11n/ac(40M): 5725MHz ~5850MHz/ 2 channel</p> <p>IEEE 802.11ac(80M): 5725MHz ~5850MHz/ 1 channel</p>
Max. RF output power:	<p>WiFi (5G): 14.801dBm</p> <p>WiFi (2.4G) : 13.68dBm</p>
Type of Modulation:	WiFi: DQPSK, DBPSK, DSSS, CCK and OFDM

Antenna installation: WiFi: External antenna  
 Antenna Gain: WiFi : 5dBi  
 Ratings: AC 100-240V  
 Adapter: AC 100-240V

## 4.2 Test Setup Configuration

See test photographs attached in EUT TEST SETUP PHOTOGRAPHS for the actual connections between Product and support equipment.

## 4.3 Support Equipment

Item	Equipment	Mfr/Brand	Model/Type No.	Series No.	Note
1	Laptop	DELL	Inspiron5570	JR4G1A00DPC	AE
2	AC Adaptor	DELL	HA45NM140	CN-00285K-CH200-88V-OEYC-A06	AE

### Notes:

1. All the equipment/cables were placed in the worst-case configuration to maximize the emission during the test.
2. Grounding was established in accordance with the manufacturer's requirements and conditions for the intended use.

#### 4.4 Channel List

For 802.11a/n/ac(20M) Operation in the 5150MHz ~5250 MHz band			
Channel	Frequency	Channel	Frequency
36	5180MHz	44	5220MHz
40	5200MHz	48	5240MHz
For 802.11a/n/ac(20M) Operation in the 5250MHz ~5350 MHz band			
Channel	Frequency	Channel	Frequency
52	5260MHz	60	5300MHz
56	5280MHz	64	5320MHz
For 802.11a/n/ac(20M) Operation in the 5470MHz ~5725 MHz band			
Channel	Frequency	Channel	Frequency
100	5500MHz	124	5620 MHz
104	5520MHz	128	5640 MHz
108	5540MHz	132	5660 MHz
112	5560MHz	136	5680MHz
116	5580MHz	140	5700MHz
120	5600 MHz		
For 802.11a/n/ac(20M) Operation in the 5725MHz ~5850 MHz band			
Channel	Frequency	Channel	Frequency
149	5745MHz	161	5805MHz
153	5765MHz	165	5825MHz
157	5785MHz	NA	NA

For 802.11n/ac(40M) Operation in the 5150MHz ~5250 MHz band			
Channel	Frequency	Channel	Frequency
38	5190MHz	46	5230MHz
For 802.11n/ac(40M) Operation in the 5250MHz ~5350 MHz band			
Channel	Frequency	Channel	Frequency
54	5270MHz	62	5310MHz
For 802.11n/ac(40M) Operation in the 5470MHz ~5725 MHz band			
Channel	Frequency	Channel	Frequency
102	5510MHz	126	5630MHz
110	5550MHz	134	5670MHz
118	5590MHz		
For 802.11n/ac(40M) Operation in the 5725MHz ~5850 MHz band			
Channel	Frequency	Channel	Frequency
151	5755MHz	159	5795MHz

For 802.11ac(80M) Operation in the 5150MHz ~5250 MHz band			
Channel	Frequency	Channel	Frequency
42	5210MHz	NA	NA
For 802.11ac(80M) Operation in the 5250MHz ~5350 MHz band			
Channel	Frequency	Channel	Frequency
58	5290MHz	NA	NA
For 802.11ac(80M) Operation in the 5470MHz ~5725 MHz band			
Channel	Frequency	Channel	Frequency
106	5530MHz	138	5690MHz
122	5610 MHz		
For 802.11ac(80M) Operation in the 5725MHz ~5850 MHz band			
Channel	Frequency	NA	NA
155	5775MHz	NA	NA



#### 4.5 Test Mode

All test mode(s) and condition(s) mentioned were considered and evaluated respectively by performing full tests, the worst data were recorded and reported.

Test Mode	RF Channel
802.11ac(80M)	Channel 106
	5530MHz

#### 4.6 Test Environment

Humidity(%):	55
Atmospheric Pressure(kPa):	101.1
Normal Voltage(AC):NV	100-240V
Normal Temperature(°C):NT	25
Low Temperature(°C):LT	0
High Temperature(°C):HT	40

## 5. TEST FACILITY AND TEST INSTRUMENT USED

### 5.1 Test Facility

All measurement facilities used to collect the measurement data are located at Floor 1&2, Building A, No. 26 of Xinhe Road, Xinqiao Street, Baoan District, Shenzhen China. The site and apparatus are constructed in conformance with the requirements of ANSI C63.4 and CISPR 16-1-1 other equivalent standards.

### 5.2 Test Instrument Used

Item	Equipment	Manufacturer	Type No.	Serial No.	Last calibration	Calibrated until
1	Spectrum Analyzer	Agilent	N9020A	MY52090073	Oct. 17, 2019	Oct. 16, 2020
2	Power Sensor	Agilent	U2021XA	MY56120032	Nov. 02, 2019	Nov. 01, 2020
3	Power Sensor	Agilent	U2021XA	MY56120034	Nov. 02, 2019	Nov. 01, 2020
4	Communication test set	R&S	CMW500	118735	Nov. 02, 2019	Nov. 01, 2020
5	Spectrum Analyzer	R&S	FSP40	100550	Nov. 02, 2019	Nov. 01, 2020
6	Signal Generator	Agilent	N5181A	MY49060920	Nov. 03, 2019	Nov. 02, 2020
7	Signal Generator	Agilent	N5182A	MY47420195	Nov. 03, 2019	Nov. 02, 2020
8	Communication test set	R&S	CMU200	119978	Nov. 02, 2019	Nov. 01, 2020
9	band rejection filter	Shenxiang	MSF2400-24 83.5MS-1154	20181015001	Nov. 02, 2019	Nov. 01, 2020
10	band rejection filter	Shenxiang	MSF5150-58 50MS-1155	20181015001	Nov. 02, 2019	Nov. 01, 2020
11	band rejection filter	Xingbo	XBLBQ-DZA 120	190821-1-1	Nov. 02, 2019	Nov. 01, 2020
12	BT&WI-FI Automatic test software	Microwave	MTS8310	Ver. 2.0.0.0	\	\
13	Rohde & Schwarz SFU Broadcast Test System	R&S	SFU	101017	Nov. 02, 2019	Nov. 01, 2020
14	Temperature humidity chamber	Hongjing	TH-80CH	DG-15174	Nov. 02, 2019	Nov. 01, 2020
15	234G Automatic test software	Microwave	MTS8200	Ver. 2.0.0.0	\	\
16	966 chamber	C.R.T.	966 Room	966	Nov. 10, 2019	Nov. 09, 2020
17	Receiver	R&S	ESPI	100362	Nov. 02, 2019	Nov. 01, 2020

18	Amplifier	HP	8447E	2945A02747	Nov. 03, 2019	Nov. 02, 2020
19	Amplifier	Agilent	8449B	3008A01838	Nov. 03, 2019	Nov. 02, 2020
20	TRILOG Broadband Antenna	Schwarzbeck	VULB 9163	869	Nov. 02, 2019	Nov. 01, 2020
21	Horn Antenna	Schwarzbeck	BBHA9120D	1911	Nov. 02, 2019	Nov. 01, 2020
22	Software	Fala	EZ-EMC	FA-03A2 RE	\	\
23	3-Loop Antenna	Daze	ZN30401	17014	Nov. 02, 2019	Nov. 01, 2020
24	loop antenna	ZHINAN	ZN30900A	/	Nov. 02, 2019	Nov. 01, 2020
25	Horn antenna	A/H/System	SAS-574	588	Nov. 02, 2019	Nov. 01, 2020
26	Amplifier	AEROFLEX	/	S/N/ 097	Nov. 02, 2019	Nov. 01, 2020

Conducted emissions Test						
27	Equipment	Manufacturer	Model#	Serial#	Last Cal.	Next Cal.
28	AMN	ROHDE&SC HWARZ	ESH3-Z5	831551852	Nov. 02, 2019	Nov. 01, 2020
29	Pulse limiter	ROHDE&SC HWARZ	ESH3Z2	357881052	Nov. 02, 2019	Nov. 01, 2020
30	EMI TEST RECEIVER	ROHDE&SC HWARZ	ESCS30	834115/006	Nov. 02, 2019	Nov. 01, 2020
31	Coaxial cable	ZDECL	Z302S	18091904	Nov. 02, 2019	Nov. 01, 2020
32	ISN	TESEQ	NTFM8158	NTFM8158# 183	Nov. 02, 2019	Nov. 01, 2020
33	EMI TEST RECEIVER	ROHDE&SC HWARZ	ESCI	10428	Nov. 02, 2019	Nov. 01, 2020
34	Software	Fala	EZ-EMC	EMC-CON 3A1.1	\	\

## 6. TECHNICAL REQUIREMENTS FOR DFS

### 6.1 Applicability of DFS Requirements

#### 6.1.1 Applicability of DFS Requirements Prior to use of a Channel

Requirement	Operational Mode		
	Master	Client Without Radar Detection	Client With Radar Detection
Non-Occupancy Period	Yes	Not required	Yes
DFS Detection Threshold	Yes	Not required	Yes
Channel Availability Check Time	Yes	Not required	Not required
U-NII Detection Bandwidth	Yes	Not required	Yes

#### 6.1.2 Applicability of DFS Requirements during Normal Operation

Requirement	Operational Mode	
	Master or Client With Radar Detection	Client Without Radar Detection
DFS Detection Threshold	Yes	Not required
Channel Closing Transmission Time	Yes	Yes
Channel Move Time	Yes	Yes
U-NII Detection Bandwidth	Yes	Not required

Additional requirements for devices with multiple bandwidth modes	Operational Mode	
	Master or Client With Radar Detection	Client Without Radar Detection
U-NII Detection Bandwidth and Statistical Performance Check	All BW modes must be tested	Not required
Channel Move Time and Channel Closing Transmission Time	Test using widest BW mode available	Test using the widest BW mode available for the link
All other tests	Any single BW mode	Not required

Note: Frequencies selected for statistical performance check (Section 7.8.4) should include several frequencies within the radar detection bandwidth and frequencies near the edge of the radar detection bandwidth. For 802.11 devices it is suggested to select frequencies in each of the bonded 20 MHz channels and the channel center frequency.

### 6.2 DFS Detection Thresholds and Response Requirement

Below table provides the DFS Detection Thresholds for Master Devices as well as Client Devices incorporating In-Service Monitoring.

#### DFS Detection Thresholds for Master Devices and Client Devices With Radar Detection.

Maximum Transmit Power	Value (See Notes 1, 2 and 3)
EIRP $\geq$ 200 milliwatt	-64 dBm
EIRP < 200 milliwatt and power spectral density < 10 dBm / MHz	-62 dBm
EIRP < 200 milliwatt and that do not meet the power spectral density requirement	-64 dBm

Note 1: This is the level at the input of the receiver assuming a 0 dBi receive antenna.  
 Note 2: Throughout these test procedures an additional 1 dB has been added to the amplitude of the test transmission waveforms to account for variations in measurement equipment. This will ensure that the test signal is at or above the detection threshold level to trigger a DFS response.  
 Note3: EIRP is based on the highest antenna gain. For MIMO devices refer to KDB Publication 662911 D01.

### DFS Response Requirement Values

Parameter	Value
Non-occupancy period	Minimum 30 minutes.
Channel Availability Check Time	60 seconds.
Channel Move Time	10 seconds. (See Note 1.)
Channel Closing Transmission Time	200 milliseconds + an aggregate of 60 milliseconds over remaining 10 second period. (See Notes 1 and 2.)
U-NII Detection Bandwidth	Minimum 100% of the U- NII 99% transmission power bandwidth. (See Note 3.)
Note 1: Channel Move Time and the Channel Closing Transmission Time should be performed with Radar Type 0. The measurement timing begins at the end of the Radar Type 0 burst. Note 2: The Channel Closing Transmission Time is comprised of 200 milliseconds starting at the beginning of the Channel Move Time plus any additional intermittent control signals required to facilitate a Channel move (an aggregate of 60 milliseconds) during the remainder of the 10 second period. The aggregate duration of control signals will not count quiet periods in between transmissions. Note 3: During the U-NII Detection Bandwidth detection test, radar type 0 should be used. For each frequency step the minimum percentage of detection is 90 percent. Measurements are performed with no data traffic.	

## 6.3 Radar Test Waveforms

This section provides the parameters for required test waveforms, minimum percentage of successful detections, and the minimum number of trials that must be used for determining DFS conformance. Step intervals of 0.1 microsecond for Pulse Width, 1 microsecond for PRI, 1 MHz for chirp width and 1 for the number of pulses will be utilized for the random determination of specific test waveforms.

### 6.3.1 Short Pulse Radar Test Waveforms

Radar Type	Pulse Width (μsec)	PRI (μsec)	Number of Pulses	Minimum Percentage of Successful Detection	Minimum Number of Trials
0	1	1428	18	See Note1	See Note1
1		Test A: 15 unique PRI values randomly selected from the list of 23 PRI values in Table 5a	$\text{Roundup} \left\{ \begin{array}{l} \left( \frac{1}{360} \right) \\ \left( \frac{19 \cdot 10^6}{\text{PRI}_{\mu\text{sec}}} \right) \end{array} \right\}$	60%	30
		Test B: 15 unique PRI values randomly selected within the range of 518-3066 μsec, with a			

		minimum increment of 1 $\mu$ sec, excluding PRI values selected in Test A			
2	1-5	150-230	23-29	60%	30
3	6-10	200-500	16-18	60%	30
4	1-20	200-500	12-16	60%	30
Aggregate (Radar Types 1-4)				80%	120
Note 1: Short Pulse Radar Type 0 should be used for the detection bandwidth test, channel move time, and channel closing time tests.					

A minimum of 30 unique waveforms are required for each of the Short Pulse Radar Types 2 through 4. If more than 30 waveforms are used for Short Pulse Radar Types 2 through 4, then each additional waveform must also be unique and not repeated from the previous waveforms. If more than 30 waveforms are used for Short Pulse Radar Type 1, then each additional waveform is generated with Test B and must also be unique and not repeated from the previous waveforms in Tests A or B.

#### Pulse Repetition Intervals Values for Test A

Pulse Repetition Frequency Number	Pulse Repetition Frequency (Pulses Per Second)	Pulse Repetition Interval (Microseconds)
1	1930.5	518
2	1858.7	538
3	1792.1	558
4	1730.1	578
5	1672.2	598
6	1618.1	618
7	1567.4	638
8	1519.8	658
9	1474.9	678
10	1432.7	698
11	1392.8	718
12	1355	738
13	1319.3	758
14	1285.3	778
15	1253.1	798
16	1222.5	818
17	1193.3	838
18	1165.6	858
19	1139	878
20	1113.6	898
21	1089.3	918
22	1066.1	938
23	326.2	3066

### 6.3.2 Long Pulse Radar Test Waveform

Radar Type	Pulse Width (μsec)	Chirp Width (MHz)	PRI (μsec)	Number of Pulses per Burst	Number of Bursts	Minimum Percentage of Successful Detection	Minimum Number of Trials
5	50-100	5-20	1000-2000	1-3	8-20	80%	30

The parameters for this waveform are randomly chosen. Thirty unique waveforms are required for the Long Pulse Radar Type waveforms. If more than 30 waveforms are used for the Long Pulse Radar Type waveforms, then each additional waveform must also be unique and not repeated from the previous waveforms.

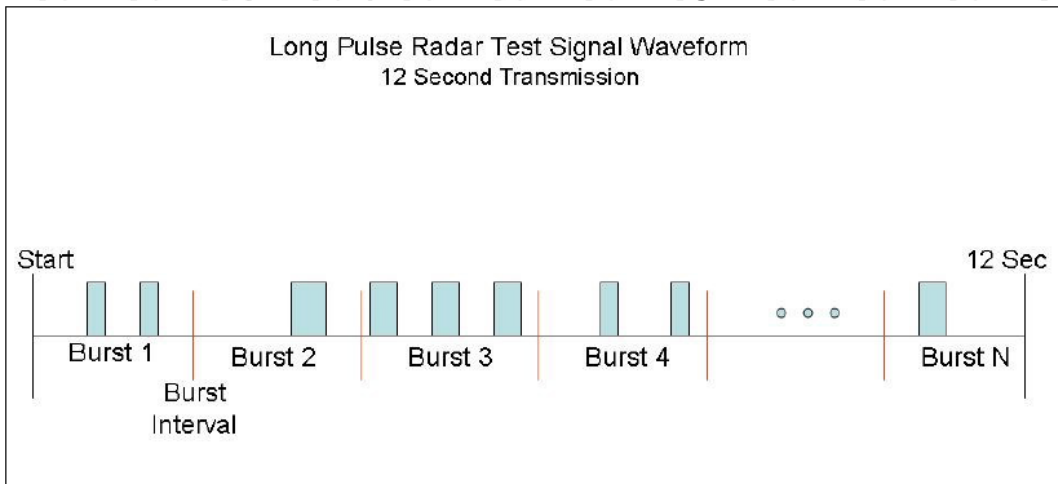
#### Each waveform is defined as follows:

- 1) The transmission period for the Long Pulse Radar test signal is 12 seconds.
- 2) There are a total of 8 to 20 Bursts in the 12 second period, with the number of Bursts being randomly chosen. This number is Burst Count.
- 3) Each Burst consists of 1 to 3 pulses, with the number of pulses being randomly chosen. Each Burst within the 12 second sequence may have a different number of pulses.
- 4) The pulse width is between 50 and 100 microseconds, with the pulse width being randomly chosen. Each pulse within a Burst will have the same pulse width. Pulses in different Bursts may have different pulse widths.
- 5) Each pulse has a linear frequency modulated chirp between 5 and 20 MHz, with the chirp width being randomly chosen. Each pulse within a transmission period will have the same chirp width. The chirp is centered on the pulse. For example, with a radar frequency of 5300 MHz and a 20 MHz chirped signal, the chirp starts at 5290 MHz and ends at 5310 MHz.
- 6) If more than one pulse is present in a Burst, the time between the pulses will be between 1000 and 2000 microseconds, with the time being randomly chosen. If three pulses are present in a Burst, the random time interval between the first and second pulses is chosen independently of the random time interval between the second and third pulses.
- 7) The 12 second transmission period is divided into even intervals. The number of intervals is equal to Burst Count. Each interval is of length  $(12,000,000 / \text{Burst Count})$  microseconds. Each interval contains one Burst. The start time for the Burst, relative to the beginning of the interval, is between 1 and  $[(12,000,000 / \text{Burst Count}) - (\text{Total Burst Length}) + (\text{One Random PRI Interval})]$  microseconds, with the start time being randomly chosen. The step interval for the start time is 1 microsecond. The start time for each Burst is chosen randomly.

#### A representative example of a Long Pulse Radar Type waveform:

- 1) The total test waveform length is 12 seconds.
- 2) Eight (8) Bursts are randomly generated for the Burst Count.
- 3) Burst 1 has 2 randomly generated pulses.
- 4) The pulse width (for both pulses) is randomly selected to be 75 microseconds.
- 5) The PRI is randomly selected to be at 1213 microseconds.
- 6) Bursts 2 through 8 are generated using steps 3 – 5.
- 7) Each Burst is contained in even intervals of 1,500,000 microseconds. The starting location for Pulse 1, Burst 1 is randomly generated (1 to 1,500,000 minus the total Burst 1 length + 1 random PRI interval) at the 325,001 microsecond step. Bursts 2 through 8 randomly fall in successive 1,500,000 microsecond intervals (i.e. Burst 2 falls in the 1,500,001 – 3,000,000 microsecond range).

### Graphical representation of the Long Pulse Radar Test Waveform.



#### 6.3.3 Frequency Hopping Radar Test Waveform

Radar Type	Pulse Width (μsec)	PRI (μsec)	Pulses per Hop	Hopping Rate (kHz)	Hopping Sequence Length (msec)	Minimum Percentage of Successful Detection	Minimum Number of Trials
6	1	333	9	0.333	300	70%	30

For the Frequency Hopping Radar Type, the same *Burst* parameters are used for each waveform. The hopping sequence is different for each waveform and a 100-length segment is selected from the hopping sequence defined by the following algorithm:

The first frequency in a hopping sequence is selected randomly from the group of 475 integer frequencies from 5250 – 5724 MHz. Next, the frequency that was just chosen is removed from the group and a frequency is randomly selected from the remaining 474 frequencies in the group. This process continues until all 475 frequencies are chosen for the set. For selection of a random frequency, the frequencies remaining within the group are always treated as equally likely

#### Radar Waveform Calibration

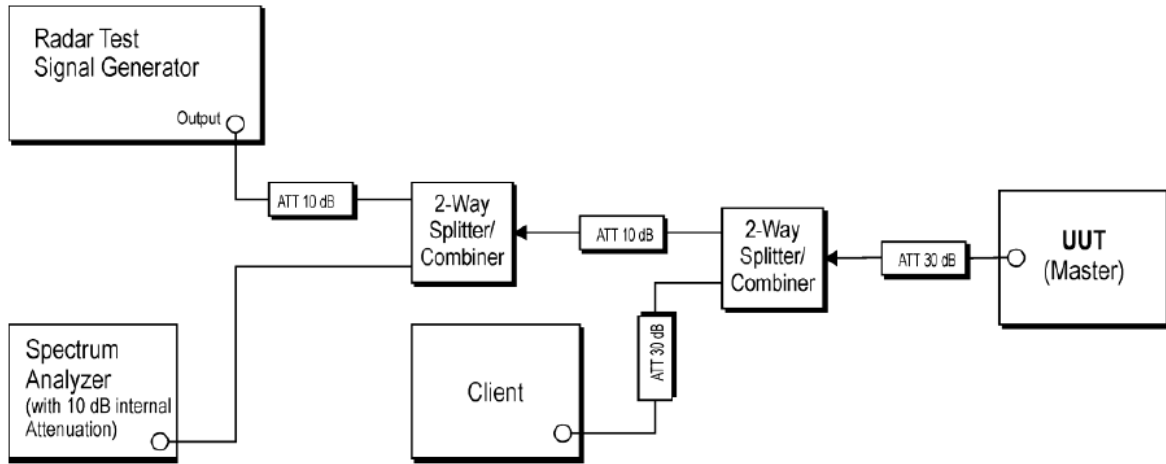
The following equipment setup was used to calibrate the conducted radar waveform. A spectrum analyzer was used to establish the test signal level for each radar type. During this process there were replace 50ohm terminal from master and client device and no transmissions by either the master or client device. The spectrum analyzer was switched to the zero span (time domain) at the frequency of the radar waveform generator. Peak detection was utilized. The spectrum analyzer resolution bandwidth (RBW) and video bandwidth (VBW) were set to 3MHz and 3 MHz.

The signal generator amplitude was set so that the power level measured at the spectrum analyzer was -61dBm due to the interference threshold level is not required

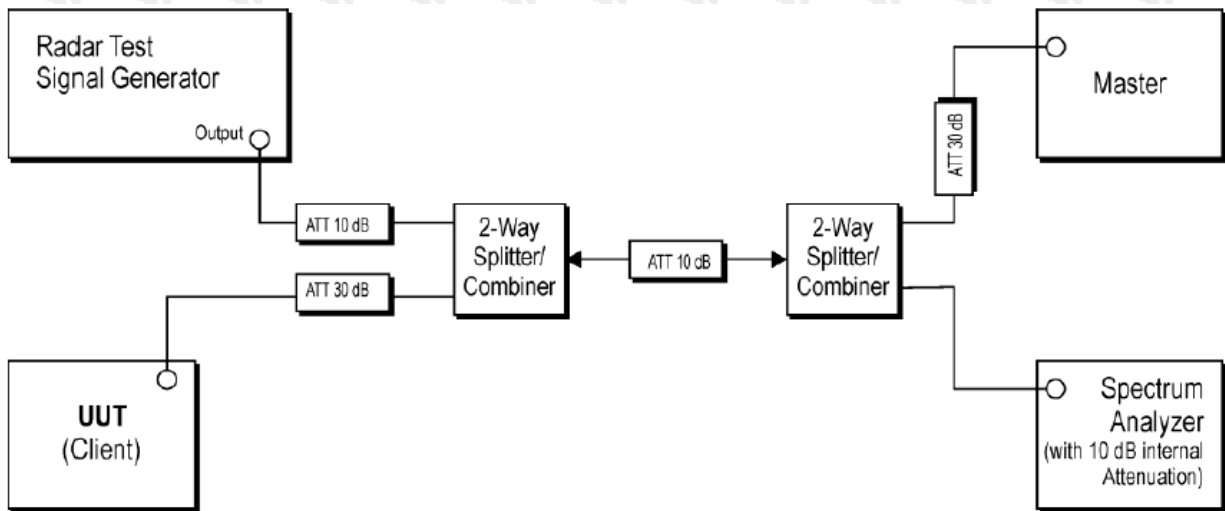


### 6.3.4 DFS test setup

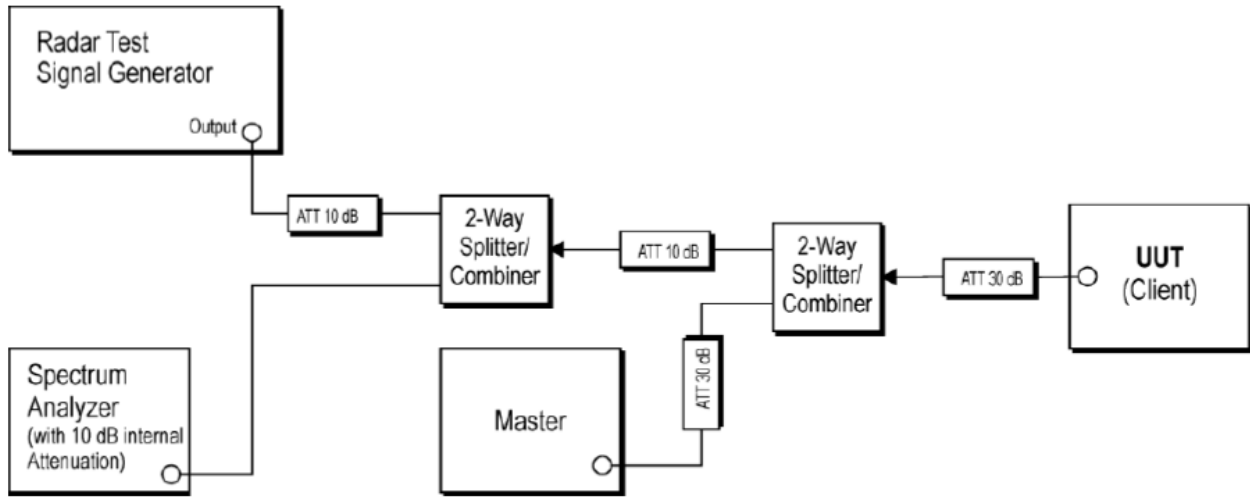
Setup for Master with injection at the Master



Setup for Client with injection at the Master



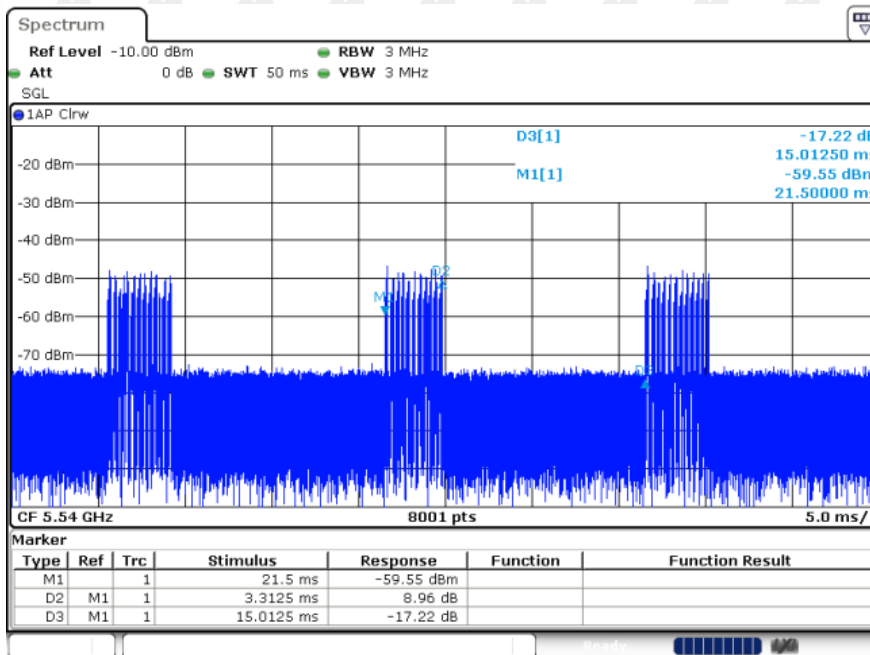
### Setup for Client with injection at the Client



### 6.3.5 Channel Loading/Data Streaming

Timing plots are required with calculations demonstrating a minimum channel loading of approximately 17% or greater.

**VHT80 Channel Loading: 22.06%**



## 7. DFS DETECTION THRESHOLD LEVELS

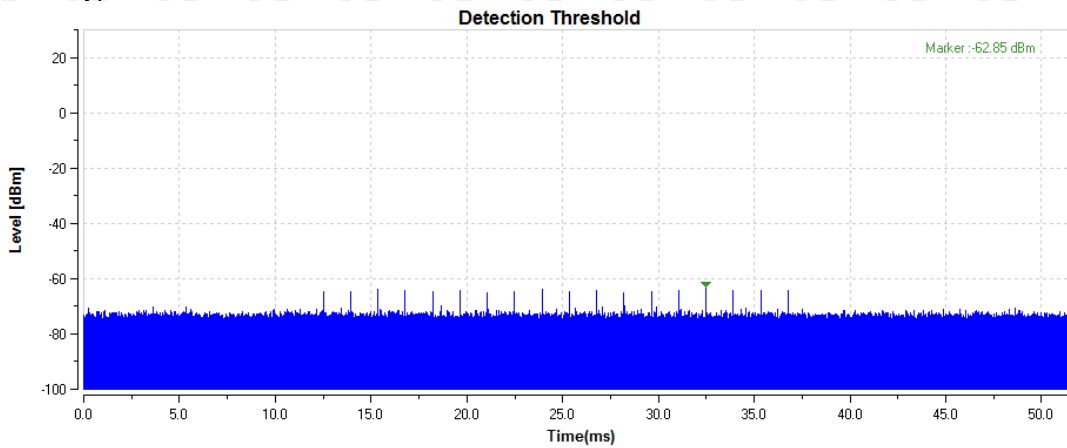
Test result:

DFS Threshold level: -58 dBm

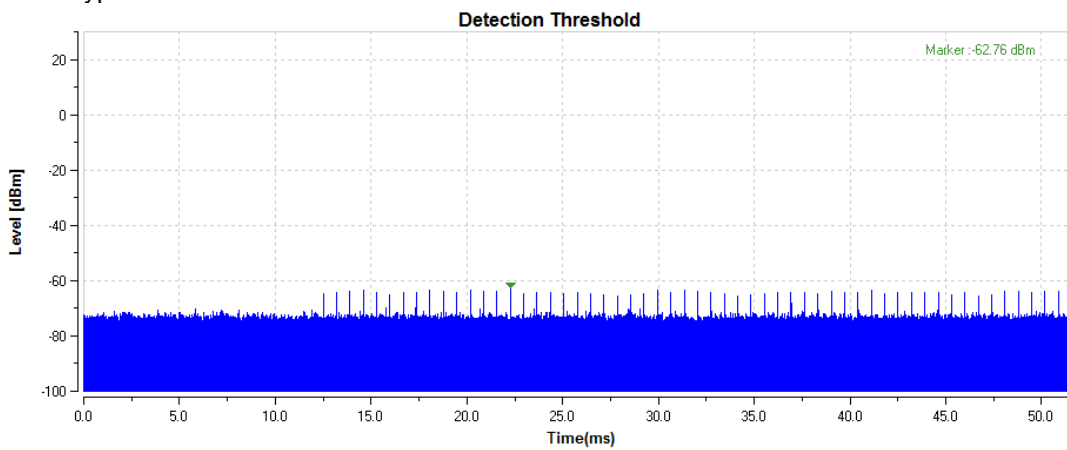
The Interference Radar Detection Threshold Level is  $(-64\text{dBm}) + (5)[\text{dBi}] + 1 \text{ dB} = -58 \text{ dBm}$ . That ad been taken into account the master output power range and antenna gain.

### Calibration plots for each of the required radar waveforms

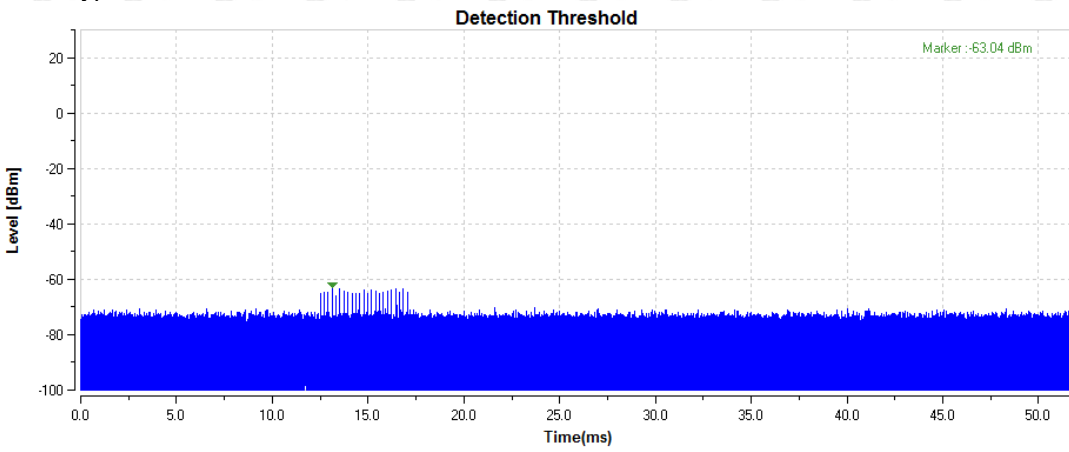
Radar type0



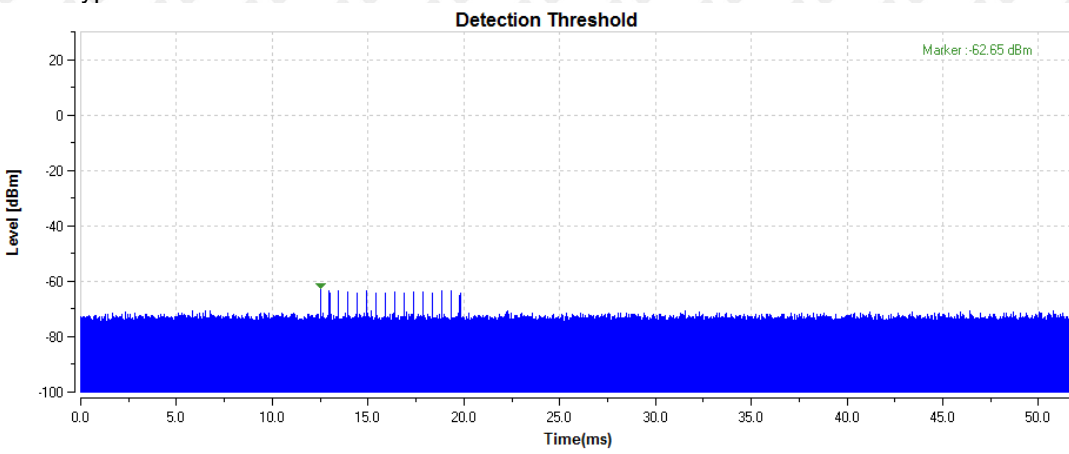
Radar type1



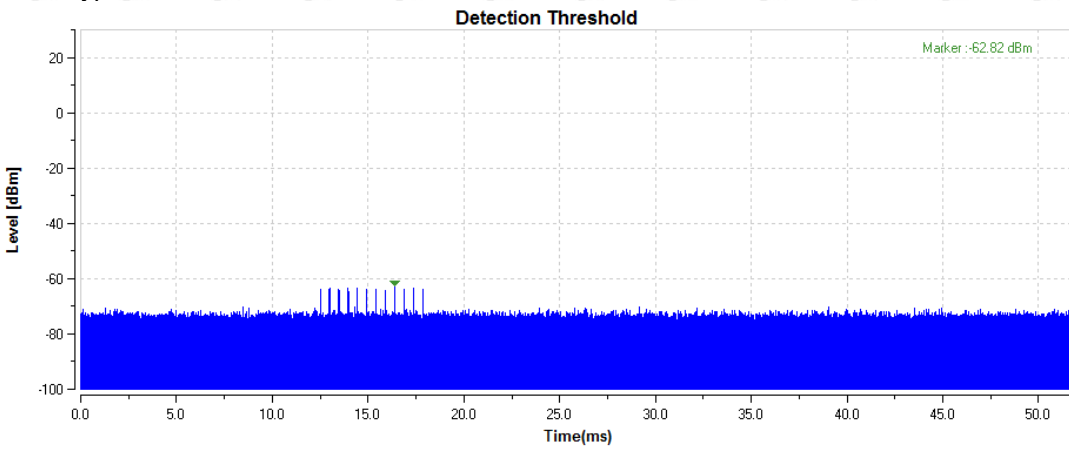
Radar type2



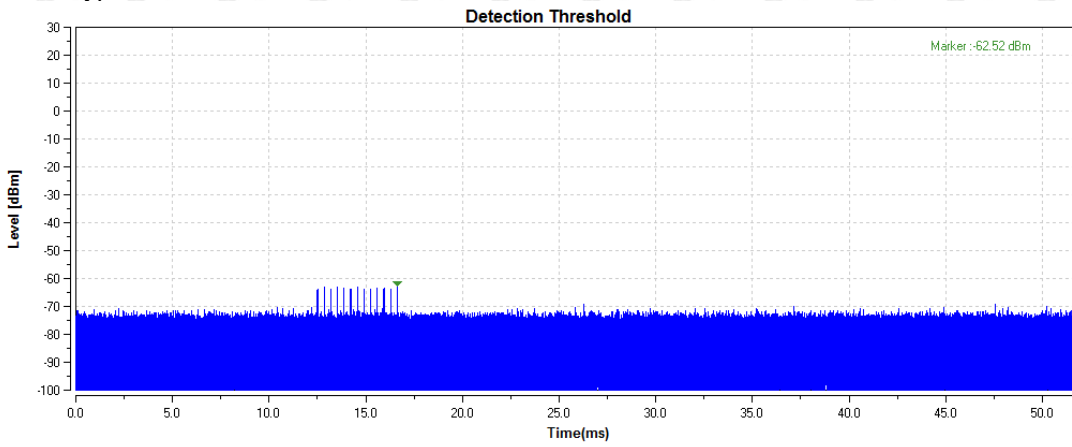
Radar type3



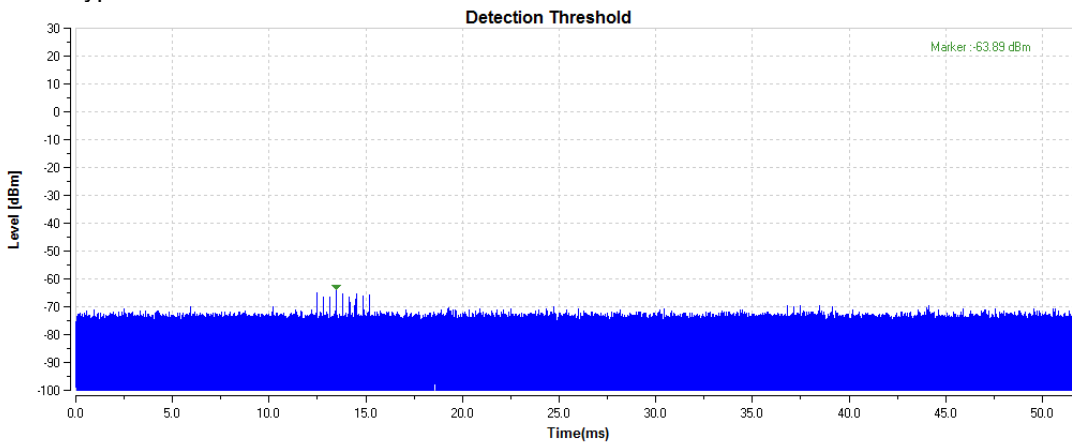
Radar type4



Radar type5



Radar type6



## 8. CONDUCTED TEST PROCEDURE

- 1) One frequency will be chosen from the Operating Channels of the UUT within the 5250-5350 MHz or 5470-5725MHz bands.
- 2) The Client Device (EUT) is set up the above diagram and communications between the Master device and the Client is established.
- 3) Stream the channel loading test file from the Master Device to the Client Device on the test Channel for the entire period of the test.
- 4) An additional 1 dB is added to the radar test signal to ensure it is at or above the DFS Detection Threshold, accounting for equipment variations/errors.
- 5) Observe the transmissions of the UUT at the end of the Burst on the Operating Channel for duration greater than 12 seconds for Radar Type 0 to ensure detection occurs.
- 6) After the initial radar burst the channel is monitored for 30 minutes to ensure no transmissions or beacons occur. A second monitoring setup is used to verify that the Master and Client have both moved to different channels.

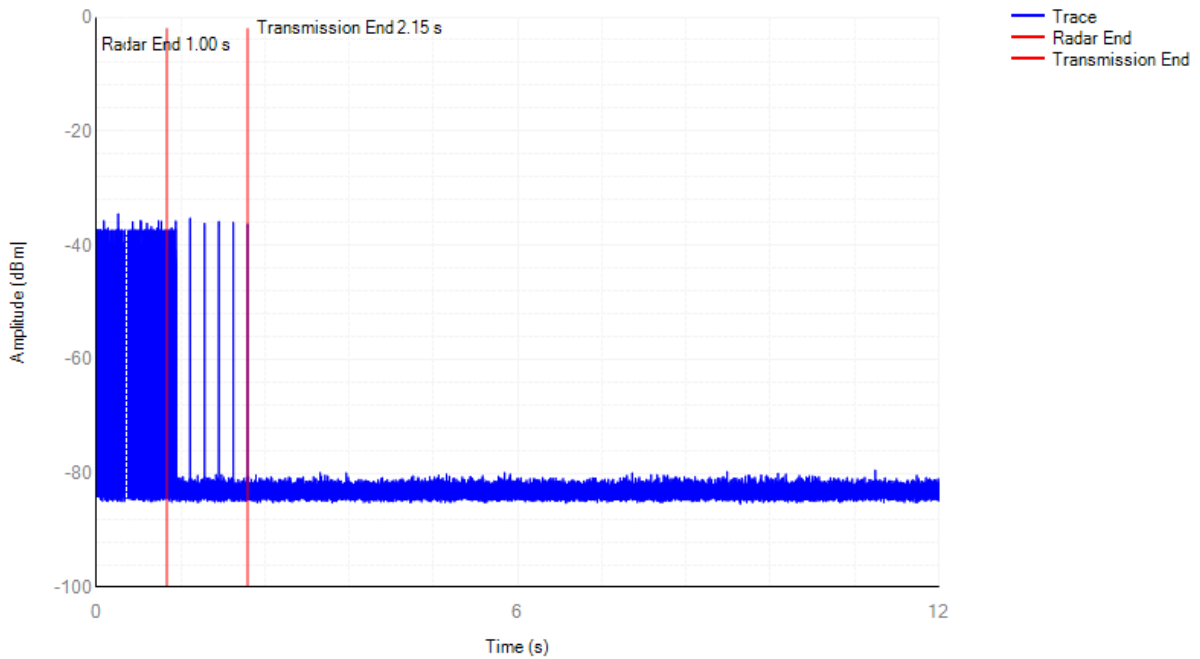
Test Results:

SHUTDOWN TIME

Mode	Frequency (MHz)	Channel Move Time (s)	Limit Channel Move Time (s)	Close Transmission Time (s)	Limit Close Transmission Time (s)	Close Transmission Time after 200ms(s)	Limit Close Transmission Time after 200ms (s)	Verdict
ac80	5320	1.1513	10	0.0471	0.26	0.003	0.06	Pass

5320MHz ac80 Shutdown

Channel Shutdown



## 9. EUT PHOTOGRAPHS

Refer to Report No.CTB200521016RFX for EUT external and internal photos.



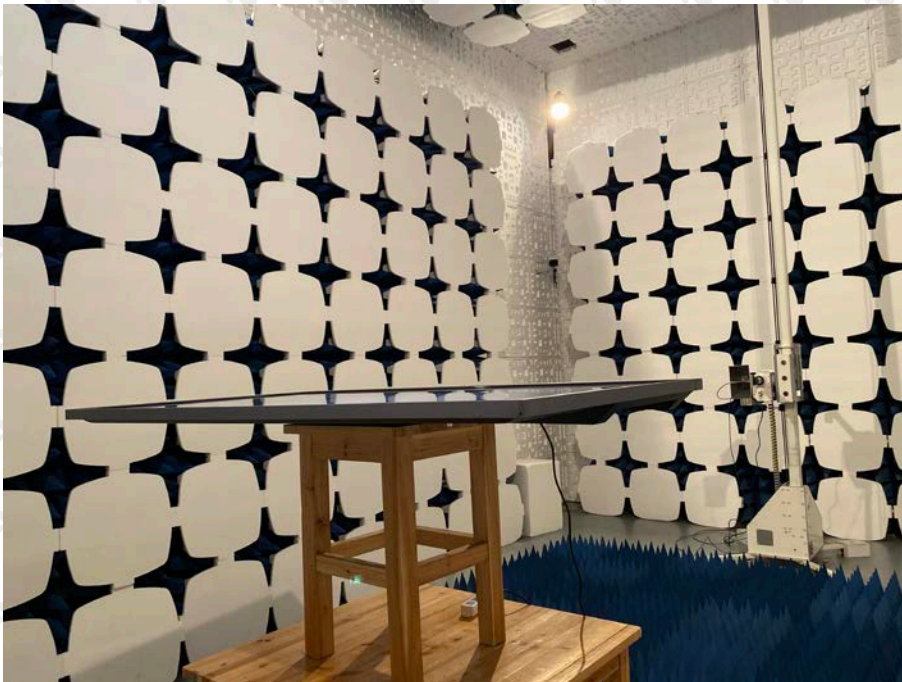
## 10. EUT TEST SETUP PHOTOGRAPHS

Spurious emissions

Below 1GHz



Above 1GHz



\*\*\*\*\* END OF REPORT \*\*\*\*\*