



Shenzhen Tian wei xun wireless technology co., ltd.

Product performance and specification

CUSTOMER NAME:

思锐

3-WIFI-2450-05

2.4G + 5G
antenna, BT +
WIFI, FPC + 0
.18mm * 109mm
black coaxis,
glue, three
generations
Antenna seat
(with
T86)

PRODUCT NAME:

NOTE:

Client	Admit manufacturing party		
Customers confirmation	Quality department	R&D	Approval
		ME: RF:	
Date:	Date: 2022-11-25		

Shenzhen Tian wei xun wireless technology co., ltd.

Te l:+860755-293617 26 Fax:+860755-85268343

R&d Add: 401A NO.A1 Huarong Road No.528,Rixin Technology park, Dalang Longhua D istrict.Shenzhen GD 518109

Shenzhen Tian wei xun wireless technology co., ltd.

Issuer	XianMing Liao	Product performance and specification	VER	V0
Design department	R&D center		DATE	2022-11-25

Catalogue

- 1. PROJECT PHOTO..... 2
- 1.1. ANTENNA MACHING CIRCUIT..... 2
- 2. PRODUCT DESIGN PURPOSE..... 3
- 3. ANTENNA INTRODUCED..... 3
- 3.1.1 ANTENNA DATA AND MATERIALS..... 3
- 3.1.2 ANTENNA MODE..... 3
- 3.1.3 ANTENNA DSINGN FREQUENCY BAND..... 3
- 3.1.4 THE ANTENNA IS TEST IN ETS-SG24 SYSTEM 3D DATA..... 4
- 3.1.5 ANTENNA PASSIVE VSWR AND RETURN LOSS..... 5
- 3.1.6 ANTENNA ACTUAL TEST RESULTS..... 6
- 4.1 DRAWINGS OF PRODUCT DESIGN..... 6

Requirements on confidentiality of information

Shenzhen tianweixun wireless technology CO., LTD.Has proprietary technology and is not allowed to disclose the information to any company or individual without the prior written consent of the company.

Shenzhen Tian wei xun wireless technology co., ltd.

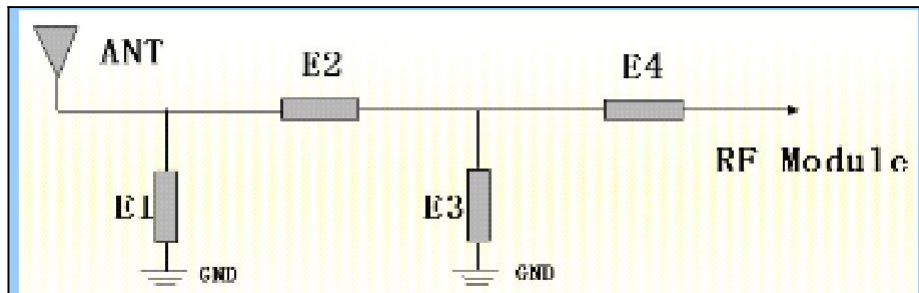
Issuer	XianMing Liao	Product performance and specification	VER	V0
Design department	R&D center		DATE	2022-11-25

1.1 Project photo

NO photo

OdinSmart

1.1.1 Antenna Matching Circuit



Element	Value	Value
E1(0402)	--	--
E2(0402)	--	--
E3(0402)	--	--
E4((00402)	--	--

Matching mark: No change in matching circuit.

2.1 Product design purpose

To standardize the testing method of the product specification of communication

Requirements on confidentiality of information

Shenzhen tianweixun wireless technology CO., LTD.Has proprietary technology and is not allowed to disclose the information to any company or individual without the prior written consent of the company.

Shenzhen Tian wei xun wireless technology co., ltd.

Issuer	XianMing Liao	Product performance and specification	VER	V0
Design department	R&D center		DATE	2022-11-25

terminal antenna produced by shenzhen tianwei xun wireless technology co., LTD., to avoid errors caused by different testing conditions and method.

3.1 Antenna

3.1.1 Antenna electrical specification and material

This report mainly provides the test status of the structural performance parameters of OdinSmart antenna



Photo of antenna designed by tianweixun

3.1.2 ANTENNA MOLD:

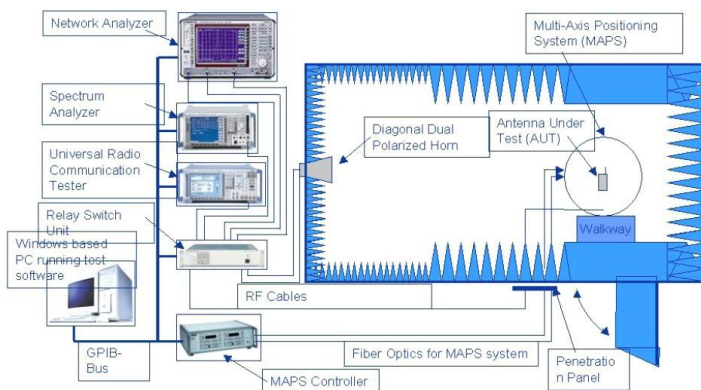
Antenna category: monopole

Antenna material: FPC

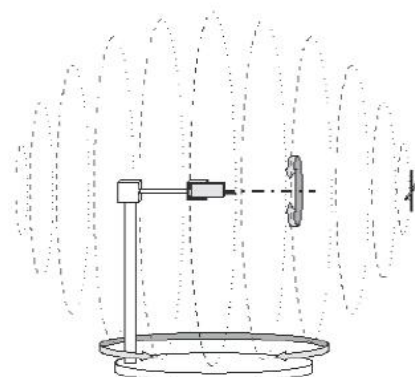
3.1.3 ANTENNA DESIGN FREQUENCY BAND:

The antenna frequency band is 2400MHz~2500MHz , 5150mhz~5250mhz,, 5700mhz~5800mhz

3.1.4 THE ANTENNA IS TEST IN ETS-SG24 SYSTEM 3D CHAMBER



picture (1) ETS-SG24 SYSTEM



picture (2) The product is placed in the 3D test device

Requirements on confidentiality of information

Shenzhen tianweixun wireless technology CO., LTD.Has proprietary technology and is not allowed to disclose the information to any company or individual without the prior written consent of the company.

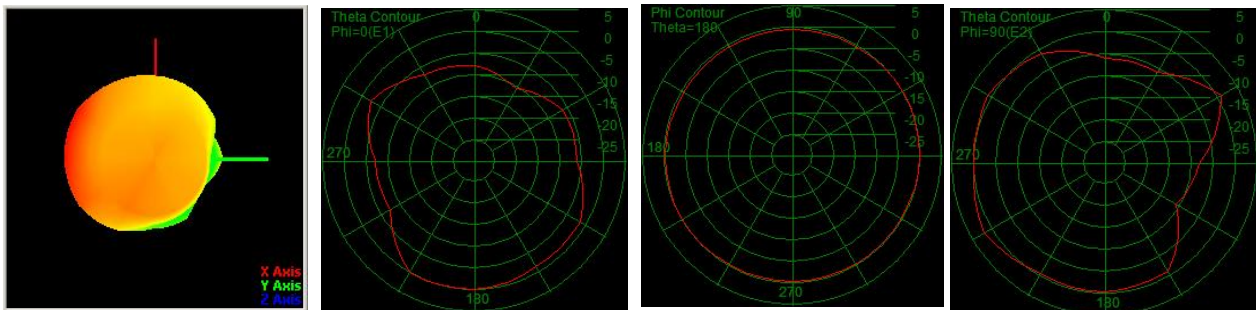
Shenzhen Tian wei xun wireless technology co., ltd.

Issuer	XianMing Liao	Product performance and specification	VER	V0
Design department	R&D center		DATE	2022-11-25

3D data designed by tianweixun(Gain , Efficiency and pattern): 2.4G gain: 3.35dBi & 5G gain: 2.49dBi

Test Point ID	Freq. (MHz)	TRP (dBm)	Gain (dBi)	Directivity (dBi)	Efficiency (%)	Efficiency (dB)
1	2400.0	2400.00	2.37	5.76	45.8%	-3.39
2	2410.0	2410.00	2.55	5.74	48.0%	-3.19
3	2420.0	2420.00	2.55	5.78	47.6%	-3.22
4	2430.0	2430.00	2.72	5.85	48.6%	-3.14
5	2440.0	2440.00	2.80	5.92	48.8%	-3.11
6	2450.0	2450.00	3.08	6.02	50.8%	-2.94
7	2460.0	2460.00	3.14	6.09	50.7%	-2.95
8	2470.0	2470.00	3.17	6.22	49.6%	-3.05
9	2480.0	2480.00	3.24	6.25	50.0%	-3.01
10	2490.0	2490.00	3.32	6.34	49.9%	-3.02
11	2500.0	2500.00	3.35	6.36	50.0%	-3.01
12	5700.0	5700.00	0.47	4.44	40.1%	-3.96
13	5710.0	5710.00	0.19	4.39	38.0%	-4.20
14	5720.0	5720.00	0.50	4.62	38.8%	-4.11
15	5730.0	5730.00	0.28	4.29	39.8%	-4.01
16	5740.0	5740.00	0.38	4.45	39.2%	-4.07
17	5750.0	5750.00	0.87	4.99	38.7%	-4.12
18	5760.0	5760.00	-0.10	4.26	36.7%	-4.36
19	5770.0	5770.00	-0.04	4.36	36.3%	-4.40
20	5780.0	5780.00	0.46	4.43	40.0%	-3.98
21	5790.0	5790.00	0.43	4.39	40.2%	-3.96
22	5800.0	5800.00	0.49	4.55	39.3%	-4.06
8	5150.0	5150.00	1.68	6.00	37.1%	-4.31
9	5160.0	5160.00	2.49	6.27	41.9%	-3.78
10	5170.0	5170.00	1.65	6.21	35.0%	-4.57
11	5180.0	5180.00	1.63	6.29	34.2%	-4.66
12	5190.0	5190.00	1.65	6.34	34.0%	-4.69
13	5200.0	5200.00	1.56	6.15	34.7%	-4.60
14	5210.0	5210.00	1.96	6.34	36.5%	-4.38
15	5220.0	5220.00	1.88	6.49	34.6%	-4.61
16	5230.0	5230.00	1.74	6.46	33.7%	-4.73
17	5240.0	5240.00	1.58	6.21	34.4%	-4.63
18	5250.0	5250.00	1.66	6.16	35.5%	-4.50

2400MHZ: Directivity: dBi



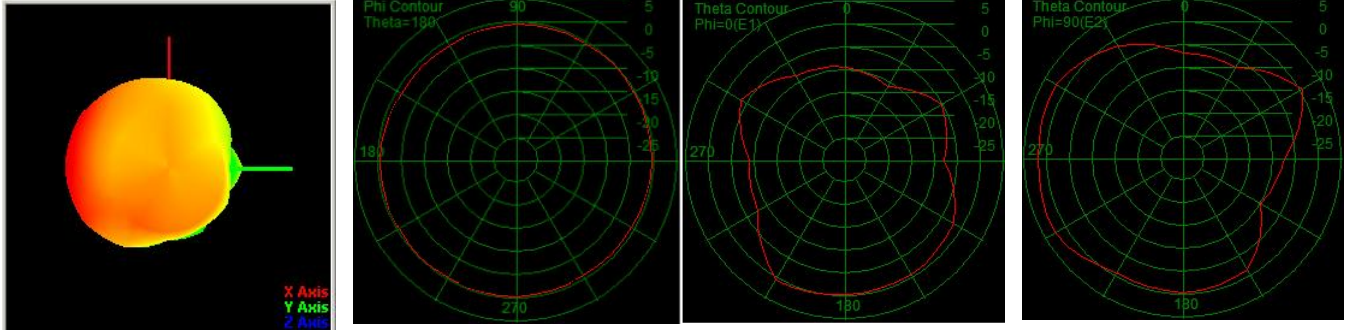
2450MHZ: Directivity: dBi

Requirements on confidentiality of information

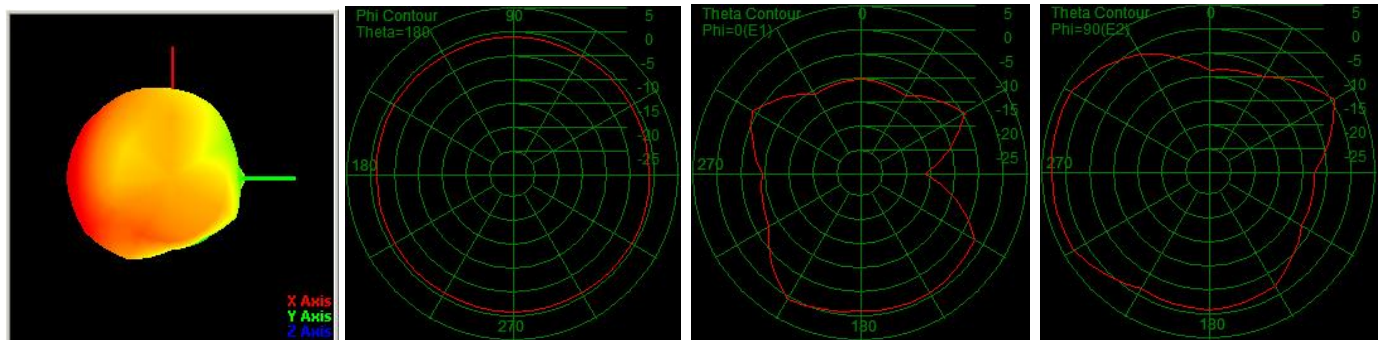
Shenzhen tianweixun wireless technology CO., LTD.Has proprietary technology and is not allowed to disclose the information to any company or individual without the prior written consent of the company.

Shenzhen Tian wei xun wireless technology co., ltd.

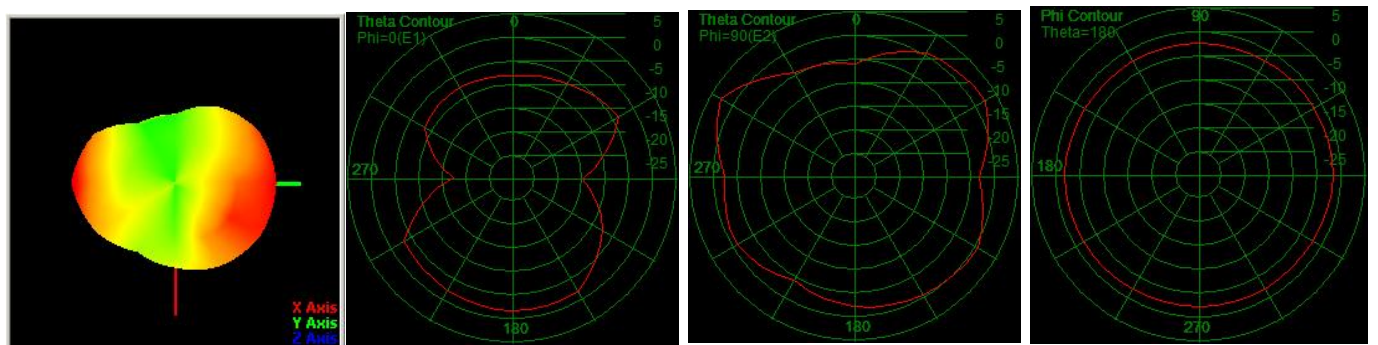
Issuer	XianMing Liao	Product performance and specification	VER	V0
Design department	R&D center		DATE	2022-11-25



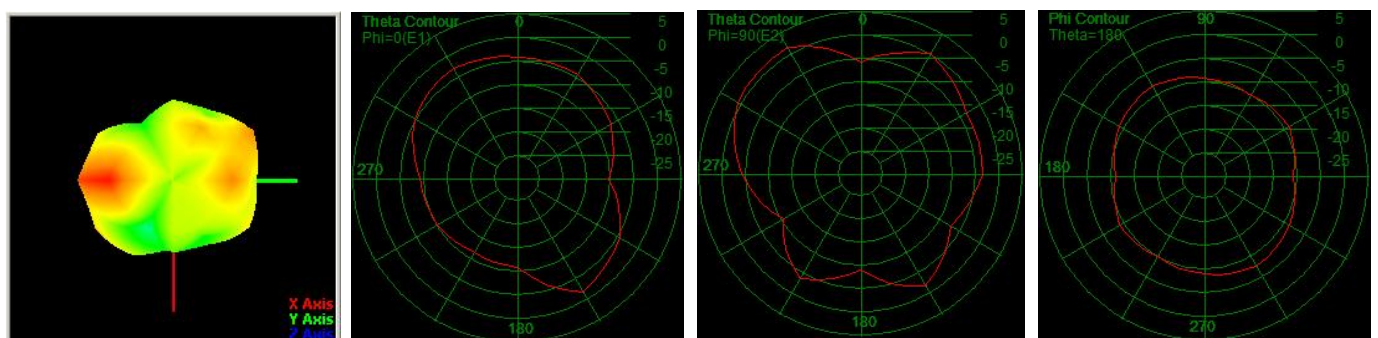
2500MHZ: Directivity: dBi



5150MHZ: Directivity: dBi



5250MHZ: Directivity: dBi



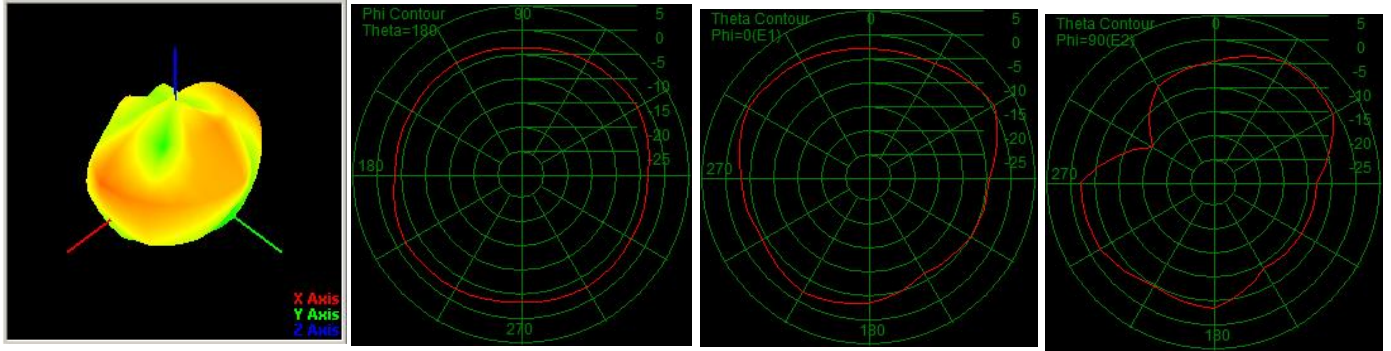
Requirements on confidentiality of information

Shenzhen tianweixun wireless technology CO., LTD.Has proprietary technology and is not allowed to disclose the information to any company or individual without the prior written consent of the company.

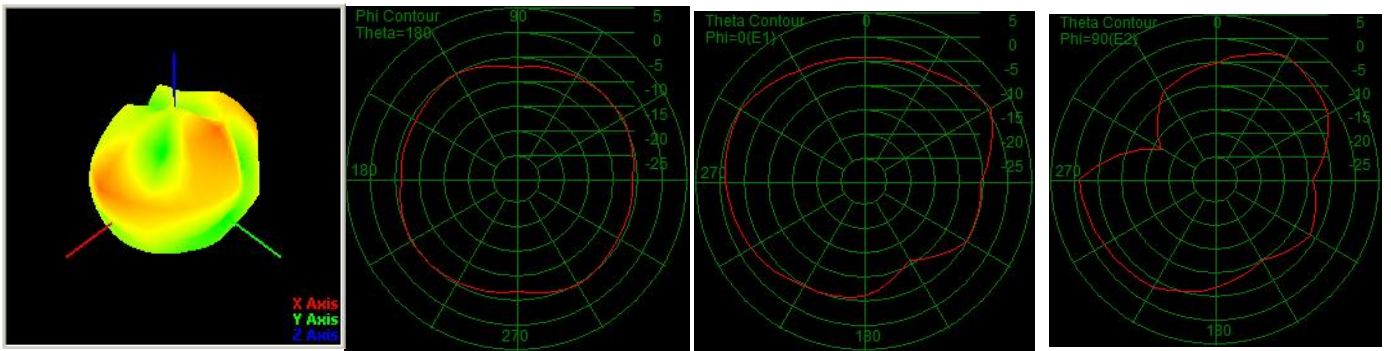
Shenzhen Tian wei xun wireless technology co., ltd.

Issuer	XianMing Liao	Product performance and specification	VER	V0
Design department	R&D center		DATE	2022-11-25

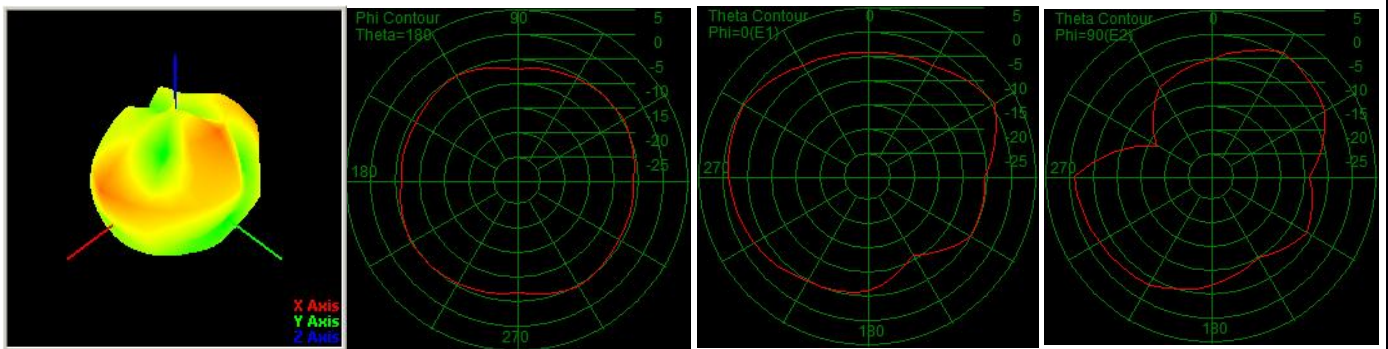
5700mhz: Directivity: dBi



5750mhz: Directivity: dBi



5800mhz: Directivity: dBi



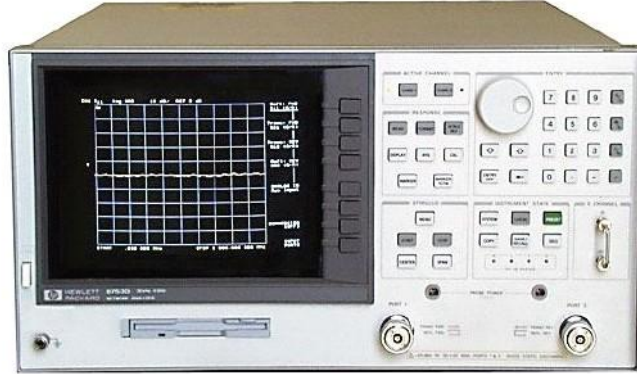
3.1.5 ANTENNA PASSIVE VSWR AND RETURN LOSS

Requirements on confidentiality of information

Shenzhen tianweixun wireless technology CO., LTD.Has proprietary technology and is not allowed to disclose the information to any company or individual without the prior written consent of the company.

Shenzhen Tian wei xun wireless technology co., ltd.

Issuer	XianMing Liao	Product performance and specification	VER	V0
Design department	R&D center		DATE	2022-11-25



(VSWR)



(Return loss)

3.1.6 ANTENNA ACTUAL TEST RESULTS (Active)

Requirements on confidentiality of information

Shenzhen tianweixun wireless technology CO., LTD.Has proprietary technology and is not allowed to disclose the information to any company or individual without the prior written consent of the company.

Shenzhen Tian wei xun wireless technology co., ltd.

Issuer	XianMing Liao	Product performance and specification	VER	V0
Design department	R&D center		DATE	2022-11-25

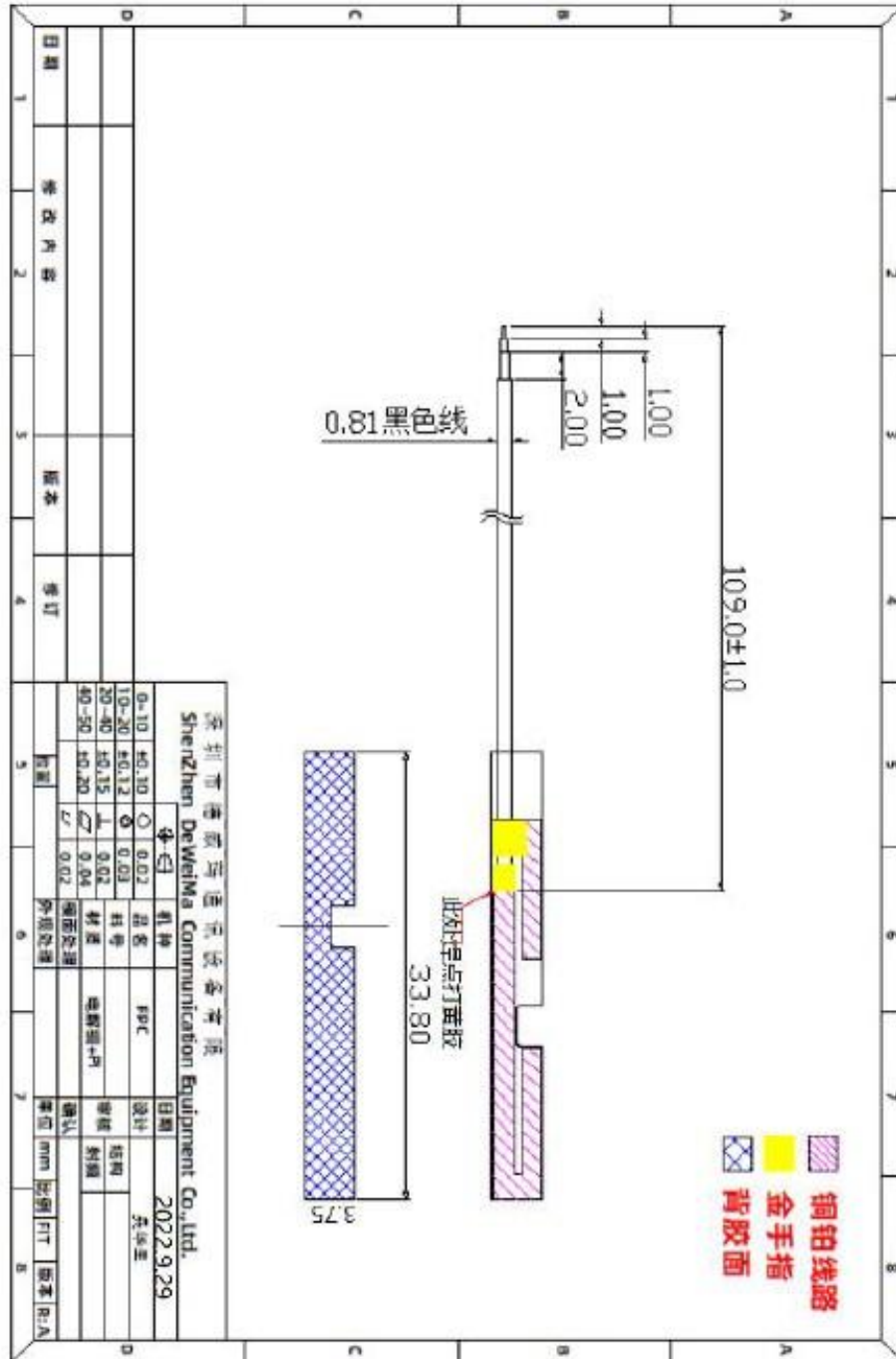
4.1 DRAWUNG OF PRODUCT DESING

Requirements on confidentiality of information

Shenzhen tianweixun wireless technology CO., LTD.Has proprietary technology and is not allowed to disclose the information to any company or individual without the prior written consent of the company.

Shenzhen Tian wei xun wireless technology co., ltd.

Issuer	XianMing Liao	Product performance and specification	VER	V0
Design department	R&D center		DATE	2022-11-25



Requirements on confidentiality of information

Shenzhen tianweixun wireless technology CO., LTD.Has proprietary technology and is not allowed to disclose the information to any company or individual without the prior written consent of the company.