

# 产品规格承认书

## SPECIFICATIONS

客户:

CUSTOMER: \_\_\_\_\_

产品名称:

DESCRIPTION: Ceramic Antenna

客户型号:

CUSTOMER PART NO: \_\_\_\_\_

产品型号:

OUR MODEL NO: LTC-2012MA01

日期:

DATE: 2024/01/01

确认签字, 盖章后请返回承认书一份

PLEASE RETURN TO US ONE COPY OF "SPECIFICATION FOR APPROVAL" WITH YOUR APPROVED SIGNATURES

核准	王海	审核	康中主	制作	陈映宣
----	----	----	-----	----	-----

客户确认签章 (APPROVED SIGNATURE)			

# LTC2012MA01 Specification

Operating Temp. : -40°C~+85°C

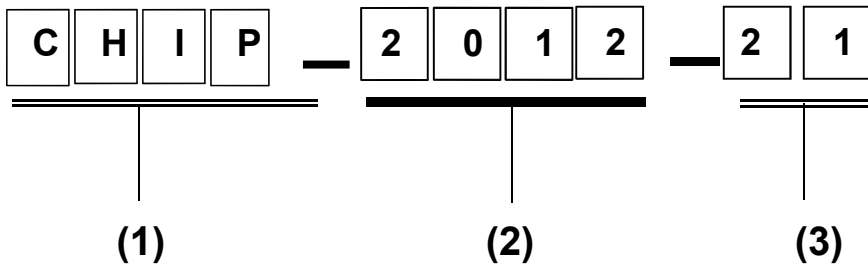
## 1. FEATURES:

- Light weight, compact
- Wide bandwidth, low cost
- Built-in antenna with high gain

## 2. APPLICATIONS:

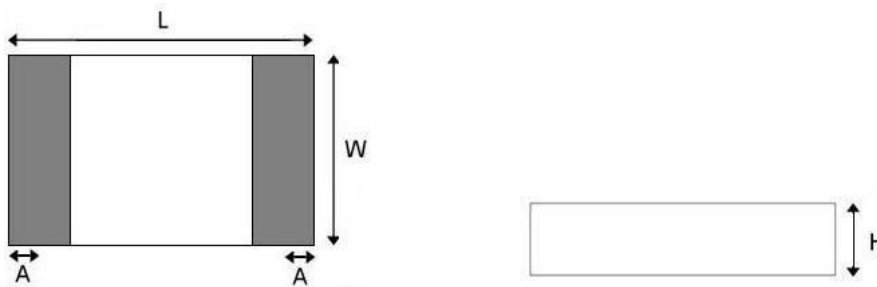
- Bluetooth, Wireless LAN, Mobile TV
- Home RF System, etc

## 3. PRODUCT IDENTIFICATION



- (1) Product type: Multilayer chip Antenna  
 (2) External Dimensions (L×W) (mm): 2.0\*1.2

## 4. SHAPE AND DIMENSIONS:



### SHAPE AND DIMENSIONS

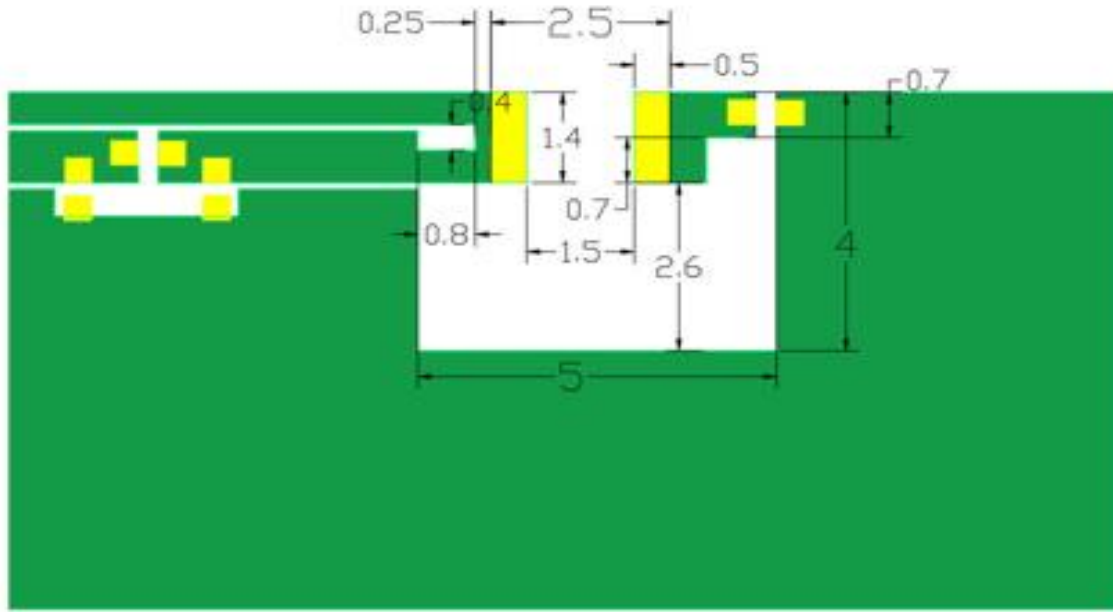
L	W	H	A
2.0±0.2	1.2±0.2	0.55±0.1	0.4±0.1

UNLESS OTHER SPECIFIED TOLERANCES ON: <b>X=±      X.X=±      X.XX=</b> <b>ANGLES =±      HOLEDIA =±</b>		Shenzhen Litongchuang Technology Co., Ltd.	
SCALE: N/A	UNIT: mm		
DRAWN BY : Sera	CHECKED BY: XD		
DESIGNED BY: Sera	APPROVED BY: XD		
TITLE: CHIP2450-21 Specification		DOCUMENT NO.	2024
			SPEC REV. P1

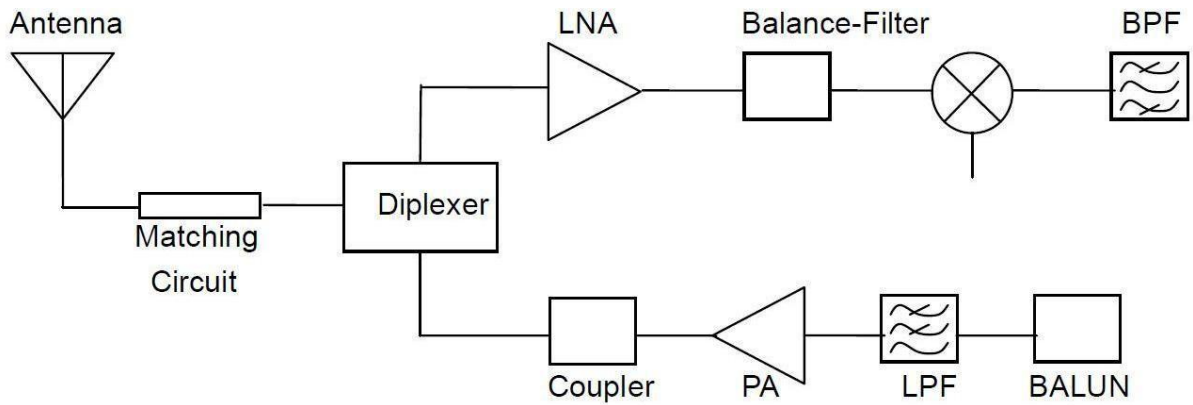
**TERMINAL-CONFIGURATION**



**EVALUATION BOARD**



**APPLICATION GUIDE**



UNLESS OTHER SPECIFIED TOLERANCES ON: <b>X=±</b> <b>X.X=±</b> <b>X.XX=</b> <b>ANGLES =±</b> <b>HOLEDIA =±</b>		Shenzhen Litongchuang Technology Co., Ltd.		
SCALE: N/A	UNIT: mm			
DRAWN BY : Sera	CHECKED BY: XD			
DESIGNED BY: Sera	APPROVED BY: XD			
TITLE: CHIP2450-21 Specification		DOCUMENT NO.	2024	SPEC REV. P1

### 5. SPECIFICATIONS:

ITEM	SPECIFICATION
Frequency Band	2400MHz~2500MHz
VSWR	Less than 3
Polarization	Linear
*Peak Gain	2.48 dBi
*Peak Efficiency	72.6% Typ.
Impedance	50 Ω Typ.

\* Test condition: Test board size 98\*65 mm

Matching circuit: Pi matching circuit will be required

### 6. Electrical Characteristics :

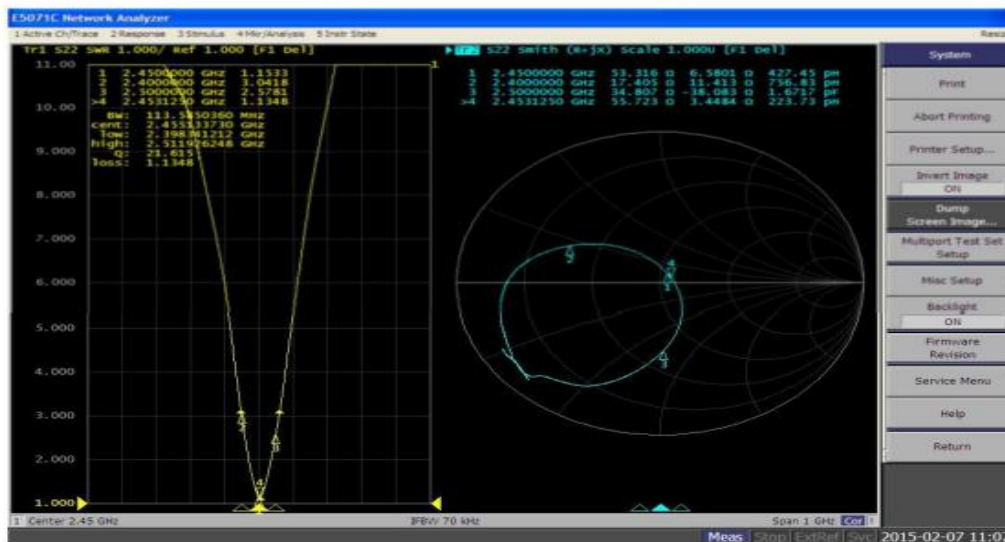
#### VSWR

\* Test condition: Test board size 98\*65 mm

Matching circuit: Pi matching circuit will be required

### 6. Electrical Characteristics :

#### VSWR



Mark	Frequency	VSWR
1	2400 MHz	3.04
2	2450 MHz	1.15
3	2500 MHz	2.57

UNLESS OTHER SPECIFIED TOLERANCES ON:

X=±      X.X=±      X.XX=  
 ANGLES =±      HOLEDIA =±

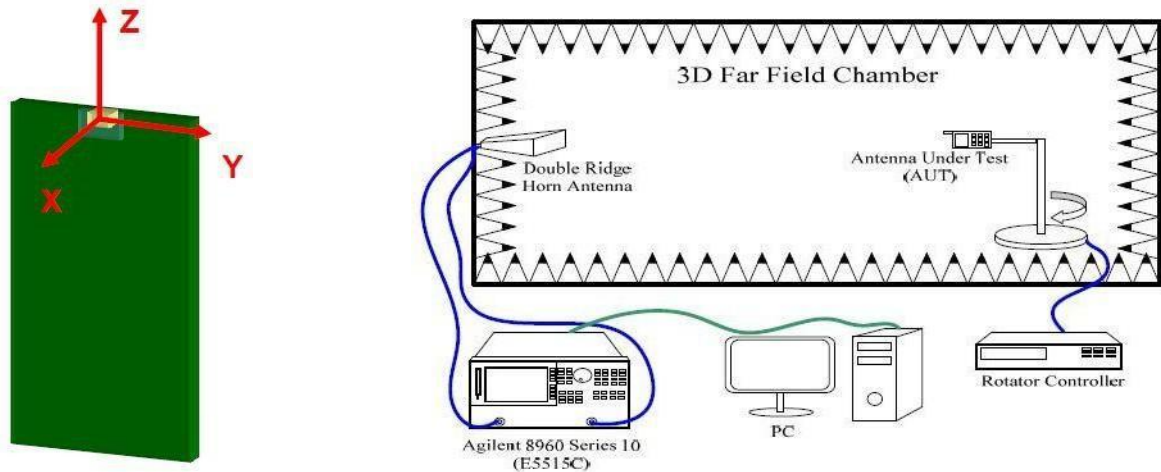
Shenzhen Litongchuang Technology Co., Ltd.

SCALE: N/A	UNIT: mm
DRAWN BY : Sera	CHECKED BY: XD
DESIGNED BY: Sera	APPROVED BY: XD

TITLE: CHIP2450-21 Specification	DOCUMENT NO.	2024	SPEC REV.
			P1

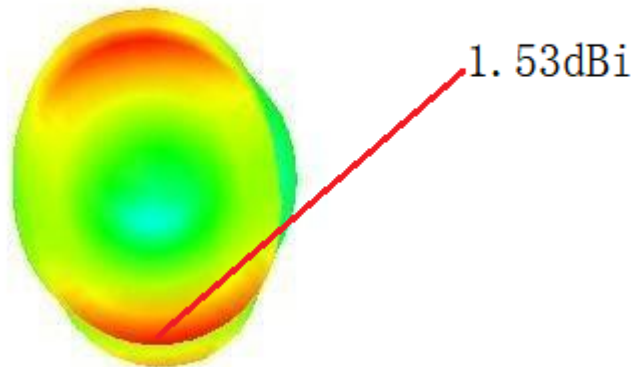
### Radiation Pattern

The Gain pattern is measured in INPAQ's FAR-field chamber. DUT is placed on the table of rotator, a standard horn antenna and Vector Network Analyzer is used to collect data.



© 3D Gain Pattern (2400 MHz)

2400.000MHz



Frequency (MHz)	2400	2440	2500
Gain (dBi)	1.53	2.48	2.18

UNLESS OTHER SPECIFIED TOLERANCES ON: X=±      X.X=±      X.XX=± ANGLES=±      HOLEDIA=±			
SCALE: N/A	UNIT: mm		
DRAWN BY : Sera	CHECKED BY: XD		
DESIGNED BY: Sera	APPROVED BY: XD		
TITLE: CHIP2450-21 Specification	DOCUMENT NO.	2024	SPEC REV. P1