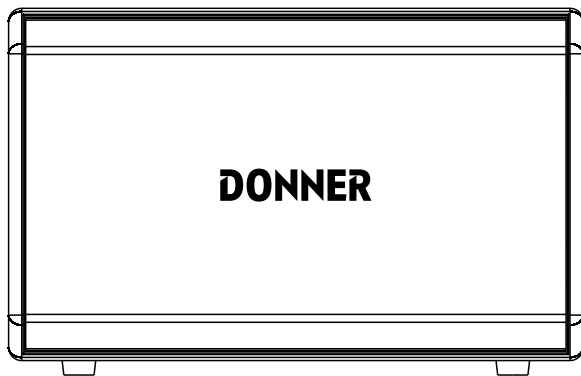




DDA-80




OWNER'S MANUAL

Catalog

Important Safety Introductions	01-03
Components in the Package	04
Technical Parameters	04
Features and Instructions of This Machine	05
Instructions	05
Description of Panel Functions	06
Description of Rear Panel Functions	06
Fault List	07

The company is constantly working to improve the quality and performance of the product, product technology and design are subject to update without prior notice.

For your own safety please read the following important safety instructions carefully before attempting to connect this unit to the mains power supply. They will also enable you to get the best performance from and prolong the life of the unit:

1. Read these instructions.
2. Keep these instructions.
3. Heed all warnings.
4. Follow all instructions.
5. Do not use this apparatus near water.
6. Clean only with a dry cloth.
7. Do not block any ventilation openings. Install in accordance with the manufacturer's instructions.
8. Do not install near any heat sources such as radiators, heat registers, stoves, or other apparatus (including amplifiers) that produce heat.
9. Do not defeat the safety purpose of the polarized or grounding-type plug. A polarized plug has two blades with one wider than the other. A grounding-type plug has two blades and a third grounding prong. The wide blade or the third prong are provided for your safety. If the provided plug does not fit into your outlet, consult an electrician for replacement of the obsolete outlet.
10. Protect the power cord from being walked on or pinched, particularly at plugs, convenience receptacles and the point where they exit from the apparatus.
11. Only use attachments/accessories specified by the manufacturer.
12. Use with only the cart, stand, tripod, bracket, or table specified by the manufacturer, or sold with the apparatus. When a cart is used, use caution when moving the cart/ apparatus combination to avoid injury from tip-over. 
13. Unplug this apparatus during lightning storms or when unused for long periods of time.
14. Refer all servicing to qualified service personnel. Servicing is required when the apparatus has been damaged in any way, such as the power-supply cord or plug having been damaged, liquid has been spilled or objects have fallen into the apparatus, the apparatus has been exposed to rain or moisture, does not operate normally, or has been dropped.

WARNING – To reduce the risk of fire or electric shock, DO NOT expose this unit to rain or moisture.

The unit must be installed in a manner that makes disconnection of the mains plug from the mains socket outlet (or appliance connector from the rear of the unit) possible. Where the mains plug is used as the disconnect device, the disconnect device shall remain readily operable. Only use the mains cord supplied with this unit.

Please ensure there is ample ventilation (at least 10cm clearance all round). Do not put any objects on top of this unit. Do not situate it on a rug or other soft surface and do not obstruct any air inlets or outlet grilles. Do not cover the ventilation grilles with items such as newspapers, tablecloths, curtains, etc.

This unit must not be used near water or exposed to dripping or splashing water or other liquids. No objects filled with liquid, such as vases, shall be placed on the unit.



The lightning flash with the arrowhead symbol within an equilateral triangle is intended to alert the user to the presence of un-insulated 'dangerous voltage' within the product's enclosure that may be of sufficient magnitude to constitute a risk of electric shock to persons.

The exclamation point within an equilateral triangle is intended to alert the user to the presence of important operating and maintenance instructions in the service literature relevant to this appliance.

FCC regulations

This device complies with Part 15 of the FCC rules. Operation is subject to the following two conditions: (1) This device may not cause harmful interference; and (2) this device must accept any interference received, including interference that may cause undesired operation.



This equipment has been tested and found to comply with the limits for a Class B digital device, pursuant to Part 15 of the FCC Rules. These limits are designed to provide reasonable protection against harmful interference in a residential installation. This equipment generates, uses and can radiate radio frequency energy and, if not installed and used in accordance with the instructions, may cause harmful interference to radio communications. However, there is no guarantee that interference will not occur in a particular installation. If this equipment does cause harmful interference to radio or television reception, which can be determined by turning the equipment off and on, the user is encouraged to try to correct the interference by one or more of the following measures:

- Re-orient or relocate the receiving antenna.
- Increase the separation between the equipment and receiver.
- Connect the equipment into an outlet on a circuit different from that to which the receiver is connected.
- Consult the dealer or an experienced radio/TV technician for help.

Any changes or modifications not expressly approved by the party responsible for compliance could void the user's authority to operate the equipment.

IC WARNING

This device complies with Industry Canada's license-exempt RSSs. Operation is subject to the following two conditions:

(1) This device may not cause harmful interference; and (2) this device must accept any interference received, including interference that may cause undesired operation.

Le présent appareil est conforme aux CNR d'Industrie Canada applicables aux appareils radio exempts de licence. L'exploitation est autorisée aux deux conditions suivantes: (1) l'appareil ne doit pas produire de brouillage, et (2) l'utilisateur de l'appareil doit accepter tout brouillage radioélectrique subi, même si le brouillage est susceptible d'en compromettre le fonctionnement.

WEEE symbol



The crossed-out wheeled bin is the European Union symbol for indicating separate collection for electrical and electronic equipment. This product contains electrical and electronic equipment which should be reused, recycled or recovered and should not be disposed of with unsorted regular waste. Please return the unit or contact the authorised dealer from whom you purchased this product for more information.

CE mark

The instructions shall include the following as far as applicable.

- Instructions to ensure correct and safe installation and interconnection of the equipment.
 - For equipment intended only for use in a restricted access area, the instructions shall so state.
 - If the equipment is intended to be fastened in place, the instructions shall explain how to securely fasten the equipment.
 - For audio equipment with terminals classified as ES3 in accordance with Table E.1, and for other equipment with terminals marked in accordance with F.3.6.1, the instructions shall require that the external wiring connected to these terminals shall be installed by a skilled person, or shall be connected by means of ready-made leads or cords that are constructed in a way that would prevent contact with any ES3 circuit.
 - If protective earthing is used as a safeguard, the instructions shall require connection of the equipment protective earthing conductor to the installation protective earthing conductor (for example, by means of a power cord connected to a socket-outlet with earthing connection).
 - For equipment with protective conductor current on the protective earthing conductor exceeding the ES2 limits of 5.2.2.2, the equipment shall bear an instructional safeguard in accordance with 5.7.5.
 - Graphical symbols placed on the equipment and used as an instructional safeguard shall be explained.
 - If a permanently connected equipment is not provided with an all-pole mains switch, the instructions for installation shall state that an all-pole mains switch in accordance with Annex L shall be incorporated in the electrical installation of the building.
 - If a replaceable component or module provides a safeguard function, identification of a suitable replacement component or module shall be provided in the ordinary person instructions or instructed person instructions, or skilled person instructions, as applicable.
- Equipment for use in locations where children not likely to be present.

Components in the Package

Serial Number	Specifications	Model	Quantity
01	Main Body	/	1
02	Manual	/	1
03	Warranty Card	/	1
04	Power Cable	/	1

*All accessories are subject to actual conditions

Technical Parameters

Basic Parameters	
	Donner DDA-80 Electronic drum amplifier
Supply Voltage	110-230V AC 50/60Hz
Speaker Configurations	8-inch bass + 25-core treble
Scope of Frequency Response (-3dB)	40Hz~20kHz
Dimensions (Width * Height * Depth)	437x279x248mm
Weight	9.5KG

Performance Parameters		Music Channel	Instrument Channel
Maximum Power Output (W)	Normal working conditions, 1KHz, 3% distortion	≥ 80	≥ 80
Noise (mV)	Rated condition A weighting	< 6	< 6
Signal to Noise Ratio (S/N)	Rated conditions, input 1KHz, THD1%A weighting	≥ 72	≥ 72
Total Harmonic Distortion (%)	Main channel, normal working conditions, 1KHz, A weighting	≤ 0.1	≤ 0.1
Frequency Response (dB(A))	Main channel, normal working conditions, 20Hz-1KHz-20KHz	± 3	± 3
Overload Source Electromotive Force (V)	Main channel, normal working conditions, 1KHz, 1% distortion	≥ 3	≥ 2
Sensitivity (mV)	Normal working conditions, 1KHz, 3% distortion	350 ± 20	100 ± 10

The above specifications are for reference only. Due to continuous product improvement, design specifications and functions may be changed without notice.

Features of This Machine

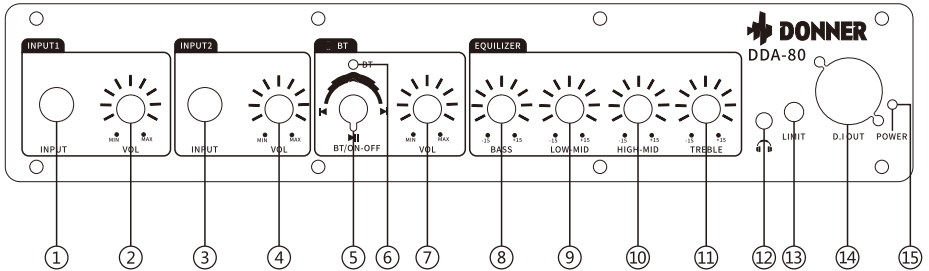
The system can be used with musical instruments (including guitars, basses, saxophones, pianos, etc.), PCs, tablets, mobile phones, DVDs, VCDs, and other devices with audio output. The machine is easy to use and provides a complete solution for musical instrument lovers. It has the following characteristics:

- It supports external AUX devices, and can directly play the audio in the device.
- It supports external musical instruments and allows users to adjust the sound effect of the musical instrument according to their preference.
- It supports Bluetooth connection, which can connect to Bluetooth devices, any computer and mobile phone, the users just need to turn on Bluetooth to connect and play.
- The system speakers have an outstanding effect, powerful and realistic deep bass, strong alto expression, clear and pleasing treble.

Instructions

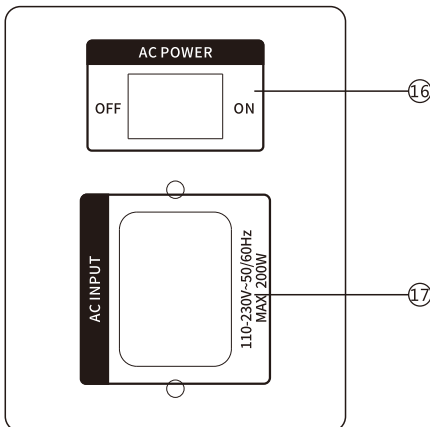
- Bluetooth connection (iOS/Android)
Bluetooth audio connection: please turn on the Bluetooth in the settings of the mobile phone/tablet device, after which, connect to "Donner DDA- 80 Amplifier" to play the audio.
- Description of Indicator Lights
The power indicator light is normally on after the device is turned on.
The Bluetooth indicator light is normally on after connecting to the Bluetooth, but goes off after disconnecting.

Description of Panel Functions



- | | |
|---|--|
| ① Instrument input channel 1 | ⑧ Bass adjustment |
| ② Volume adjustment of instrument channel 1 | ⑨ Bass and alto adjustment |
| ③ Instrument input channel 2 | ⑩ treble and alto adjustment |
| ④ Volume adjustment of instrument channel 2 | ⑪ Treble adjustment |
| ⑤ Rotate to the left to the previous song, rotate to the right to the next one. Press down to pause (long press for 3 seconds to turn on/off Bluetooth) | ⑫ Headphone output |
| ⑥ Bluetooth indicator light | ⑬ Compressor/limiter switch (press the switch to turn on the function) |
| ⑦ Volume adjustment of AUX channel | ⑭ Line output |
| | ⑮ Power indicator light |

Description of Rear Panel Functions



- | |
|--|
| ⑯ Power Switch |
| ⑰ AC 110-230V ~ 50/60Hz AC Power Input |

Fault List

Fault Phenomenon	Possible Causes	Handling Method
No sound when turning on the power	<ol style="list-style-type: none"> 1. No input of audio source 2. The volume adjustment is at the minimum position 	<ol style="list-style-type: none"> 1. Input of music signal 2. Adjust the volume appropriately
Distorted sound	<ol style="list-style-type: none"> 1. The volume is adjusted to be too high 2. The speaker may be damaged 	<ol style="list-style-type: none"> 1. Turn down the main volume 2. Check whether the speaker is damaged, and repair it if yes
The instrument's sound is too small	<ol style="list-style-type: none"> 1. The instrument connection plug is not fully inserted 	<ol style="list-style-type: none"> 1. Fully insert the instrument plug into the instrument channel
Bluetooth connection is unavailable	<ol style="list-style-type: none"> 1. Already paired with other devices 	<ol style="list-style-type: none"> 1. Disconnect the connection with other devices and try again 2. Restart the machine

If the fault still exists after the above inspections, please contact the nearest local maintenance department. The user is not allowed to open the machine without authorization to avoid a short circuit caused by touching the charged parts or some components and the occurrence of dangerous accidents! This manual strives to make the introductions and descriptions of the machine's functions as complete as possible, but there may be mistakes or omissions in printing or batches. Please be subject to the actual operations. The company will constantly upgrade, perfect and update when designing the products without prior notice.



www.idonner.com

www.donnerdirect.com

Email: donnerdeal@gmail.com

Facebook: <http://facebook.com/Donnerdeal.com>