

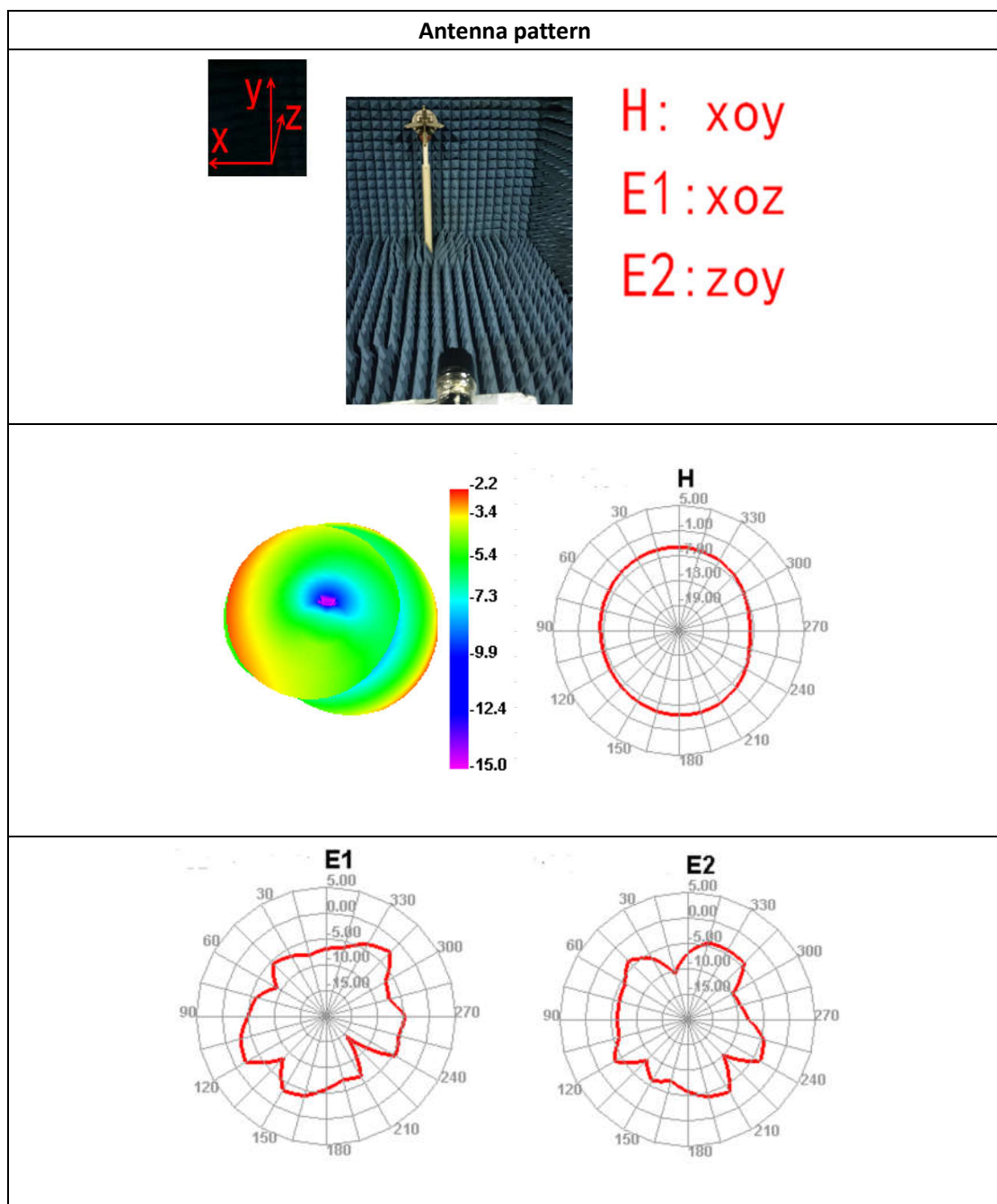
Product Specification

Version information

Date	Version	Description
2022-07-16	V1.0	First revision

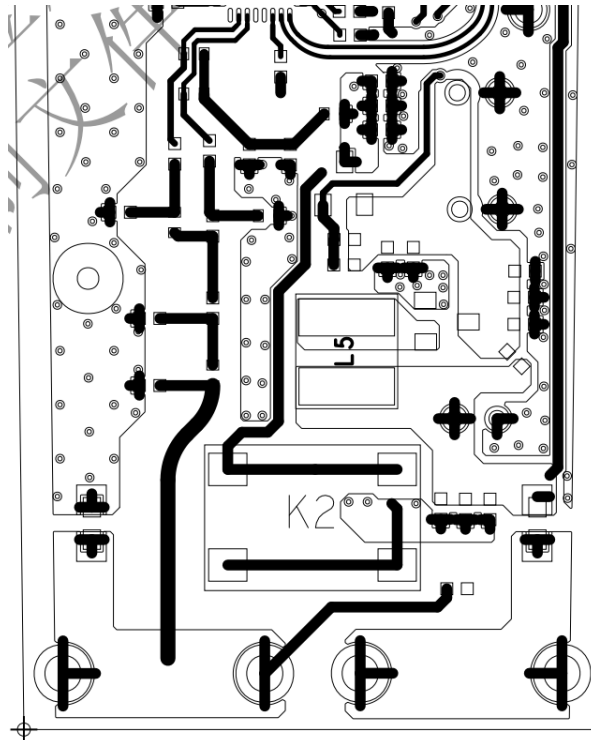
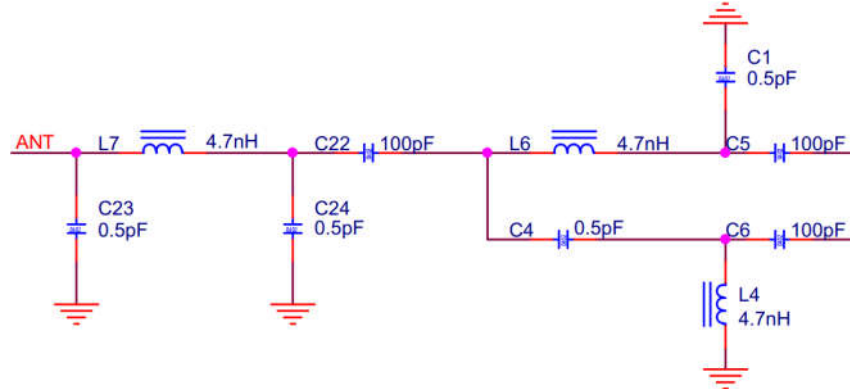
Electrical specifications		
Antenna type	Battery antenna	
Frequency range(MHz)	600-950	
VSWR	$\leq 2.0@600-950$	
Impedance(Ohm)	50	
Peak Gain(dBi)	3@600-950	
Polarization Type	Vertical	

Mechanical specifications		
Dimensions(mm)	$\Phi 13.7-14.5\text{mm} \times 100\text{mm}$	



Circuit design considerations:

1. The reference circuit is shown in the reference diagram below.
2. Single end adopts 50 Ω impedance.
3. The difference adopts 100 Ω impedance.
4. The electronic components are grounded nearby and GND vias are drilled.



Manufacturer: Jiangsu ainuoxin Circuit Technology Co., Ltd