



PURE ONE STATION FURFREE SERIES
Clean Station

Instruction Manual

Manual De Uso

Mode D'emploi



*Actual product may differ from illustration.

TINECO IS HERE TO HELP.

We'll get back to you within 1 business day.



 www.tineco.com

 1-855-292-8864

CONTENTS

Important Safety Instructions.....	2
Specifications.....	6
Overview.....	7
Assembly.....	9
Operation.....	11
Maintenance.....	16
Troubleshooting.....	19
Warranty.....	20

TINECO IS HERE TO HELP.

We'll get back to you within 1 business day.

 www.tineco.com

 1-855-292-8864

Important Safety Instructions

SAVE THESE INSTRUCTIONS

Household use only.

When using an electrical appliance, basic precautions should always be followed, including the following:

READ ALL INSTRUCTIONS BEFORE USING (THIS APPLIANCE). Failure to follow the warnings and instructions may result in electric shock, fire and/or serious injury.

WARNING – To reduce the risk of fire, electric shock, or injury:

1. This appliance can be used by children aged from 8 years and above and persons with reduced physical, sensory or mental capabilities or lack of experience and knowledge if they have been given supervision or instruction concerning use of the appliance in a safe way and understand the hazards involved. Children should not play with the appliance. Cleaning and user maintenance shall not be performed by children without supervision.
2. The appliance is not to be used by persons (including children) with reduced physical, sensory or mental capabilities, or lack of experience and knowledge, unless they have been given supervision or instruction.
3. For INDOOR use ONLY. Do not use the appliance outdoors, nor in commercial or industrial environments. Do not use the appliance on wet surfaces or surfaces with standing water.
4. Do not allow to be used as a toy. Close attention is necessary when used by or near children, pets or plants.
5. Use only as described in this manual. Use only manufacturer's recommended attachments.
6. Do not use with a damaged cord or plug. If appliance has been dropped, damaged, left outdoors, dropped into water, or is not working as it should, return it to a service center.
7. Do not handle charger, including charger plug, and charger terminals with wet hands.
8. Do not block openings. Stop use if openings become blocked. Clean and remove any blocked objects according to the manual instructions.
9. Keep hair, loose clothing, fingers, and all parts of your body away from openings and moving parts.
10. Use extra care when cleaning on stairs.
11. Do not use to pick up flammable or combustible liquids, such as gasoline, or use in areas where they may be present.
12. Do not pick up anything that is burning or smoking, such as cigarettes, matches, or hot ashes.
13. Do not use without a filter.
14. Prevent unintentional activation. Ensure the switch is in the off position before connecting to the battery pack, picking up or carrying the appliance. Carrying the appliance with your finger on the switch or powering on the appliance with the switch on may cause accidents.

15. Disconnect the battery pack from the appliance before making any adjustments, changing accessories, storing the appliance. Such preventive safety measures reduce the risk of starting the appliance accidentally.
16. For the purposes of recharging the battery, only use the detachable supply unit provided with this appliance. A charger that is suitable for one type of battery pack may create a risk of fire when used with another battery pack.
17. Use appliances only with specifically designated Tineco battery packs. Use of any other battery packs may create a risk of injury and fire.
18. When battery pack is not in use, keep it away from other metal objects, like paper clips, coins, keys, nails, screws or other small metal objects, that can make a connection from one terminal to another. Shorting the battery terminals together may cause burns or a fire.
19. Under improper usage, liquid may be ejected from the battery; avoid contact. If contact accidentally occurs, flush with water. If liquid comes into eye contact, seek medical help. Liquid ejected from the battery may cause irritation or burns.
20. Do not use a battery pack or appliance that is damaged or modified. Damaged or modified batteries may exhibit unpredictable behavior resulting in fire, explosion or risk of injury.
21. Do not expose a battery pack or appliance to fire or excessive heat. Exposure to fire or temperatures above 266°F (130°C) may cause an explosion.
22. Follow all charging instructions and do not charge the battery pack or appliance outside of the temperature range specified in the instructions. Charging improperly or at temperatures outside of the specified range may damage the battery and increase the risk of fire.
23. Have servicing performed by a qualified repair person using only identical replacement parts. This will ensure that the safety of the product is maintained.
24. This appliance contains battery cells that are non-replaceable. Do not modify or attempt to repair the appliance or the battery pack except as indicated in the instructions for use and care.
25. Always turn off this appliance before connecting or disconnecting the motorized nozzle.
26. Do not charge or store the appliance outdoors or inside a car. Only charge, store or use the battery in a dry indoor area where the temperature is higher than 39.2°F (4°C) but lower than 104°F (40°C). The charger is for indoor use only.
27. The appliance is only to be used with the unit provided. The plug must be removed from the socket-outlet before cleaning or maintaining the appliance.
28. Do not leave appliance when plugged in. Unplug from outlet when not in use and before servicing.
29. Do not pull or carry by cord, use cord as a handle, close a door on cord, or pull cord around sharp edges or corners. Do not run appliance over cord. Keep cord away from heated surfaces.
30. Do not unplug by pulling on cord. To unplug, grasp the plug, not the cord.
31. Do not handle plug or appliance with wet hands.

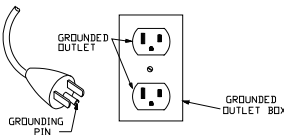
32. Do not handle plug or appliance with wet hands.
33. Do not use with any opening blocked; keep free of dust, lint, hair, and anything that may reduce air flow.
34. Turn off all controls before unplugging.
35. "Connect to a properly grounded outlet only. See Grounding Instructions."
36. "While grooming your pet, use proper care. Handle carefully and brush gently. To prevent injury to your pet, avoid using this tool on the face of your pet."

GROUNDING INSTRUCTIONS

1) This appliance must be grounded. If it should malfunction or breakdown, grounding provides a path of least resistance for electric current to reduce the risk of electric shock. This appliance is equipped with a cord having an equipment-grounding conductor and grounding plug. The plug must be inserted into an appropriate outlet that is properly installed and grounded in accordance with all local codes and ordinances.

WARNING – Improper connection of the equipment-grounding conductor can result in a risk of electric shock. Check with a qualified electrician or service person if you are in doubt as to whether the outlet is properly grounded. Do not modify the plug provided with the appliance – if it will not fit the outlet, have a proper outlet installed by a qualified electrician.

2) This appliance is for use on a nominal 120-V circuit and has a grounding attachment plug that looks like the plug illustrated below. Make sure that the appliance is connected to an outlet having the same configuration as the plug. No adaptor should be used with this appliance.



FCC Supplier's Declaration of Conformity

Tineco / PURE ONE STATION FURFREE SERIES

This appliance complies with part 15 of the FCC Rules. Operation is subject to the following two conditions:

(1) This appliance may not cause harmful interference, and (2) this appliance must accept any interference received, including interference that may cause undesired operation.

Tineco INTELLIGENT, INC.

1700 WESTLAKE AVENUE N., SUITE 200, SEATTLE, WA, 98109, USA

WWW.TINECO.COM

1-855-292-8864

Changes or modifications not expressly approved by the party responsible for compliance could void the user's authority to operate the equipment.

Note: This equipment has been tested and found to comply with the limits for a Class B digital appliance, pursuant to Part 15 of the FCC Rules. These limits are designed to provide reasonable protection against harmful interference in a residential installation. This equipment generates uses and can radiate radio frequency energy and, if not

installed and used in accordance with the instructions, may cause harmful interference to radio communications. However, there is no guarantee that interference will not occur in a particular installation. If this equipment does cause harmful interference to radio or television reception, which can be determined by turning the equipment off and on, the user is encouraged to try to correct the interference by one or more of the following measures:

- (1) Reorient or relocate the receiving antenna.
- (2) Increase the separation between the equipment and receiver.
- (3) Connect the equipment into an outlet on a circuit different from that to which the receiver is connected.
- (4) Consult the dealer or an experienced radio/TV technician for help.

FCC Radiation Exposure Statement

This equipment complies with FCC radiation exposure limits set forth for an uncontrolled environment. This equipment should be installed and operated with a minimum distance of 20cm between the radiator and any part of your body.

Note

The manufacturer is not responsible for any radio or TV interference caused by unauthorized modifications to this equipment, such modifications could void the user's authority to operate this equipment.

IC Note

This appliance contains licence-exempt transmitter(s)/receiver(s) that comply with Innovation, Science and Economic Development Canada's licence-exempt RSS(s). Operation is subject to the following two conditions:

- (1) this appliance may not cause interference.
 - (2) this appliance must accept any interference, including interference that may cause undesired operation of the appliance.
- This Class B digital apparatus complies with Canadian ICES-003.
 - This equipment complies with ISED RSS-102 radiation exposure limits set forth for an uncontrolled environment. This equipment should be installed and operated with a minimum distance of 20cm between the radiator and any part of your body.


Specifications

EN

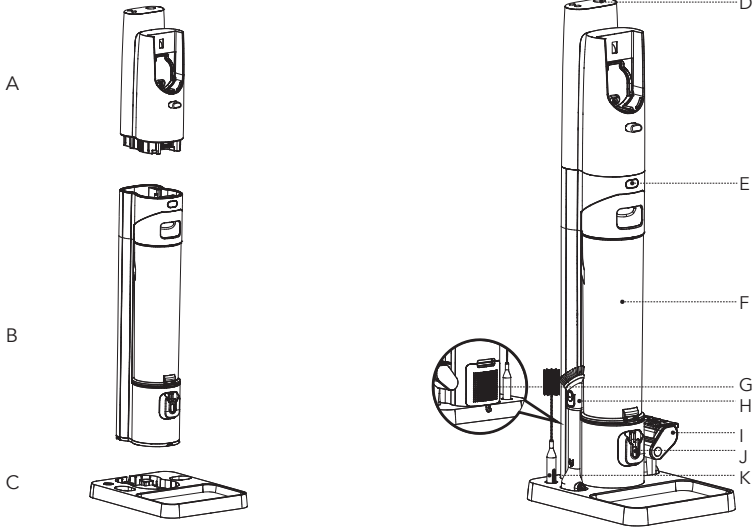
CLEAN STATION

Input (Self-Cleaning Mode)	120V 60Hz 4.2A
Input (Charging)	120V 60Hz 0.5A
Output	18V \equiv 1A

Disposal

- The battery contains materials that are harmful to the environment and must be removed from the appliance before it is discarded.
- Batteries, chargers, accessories and packaging should be sorted for environmental friendly recycling. Do not put them into fire, water or soil. Do not dispose of chargers into household waste! 
- If battery leakage contacts skin or clothing, immediately flush with water to avoid irritation and seek medical help.

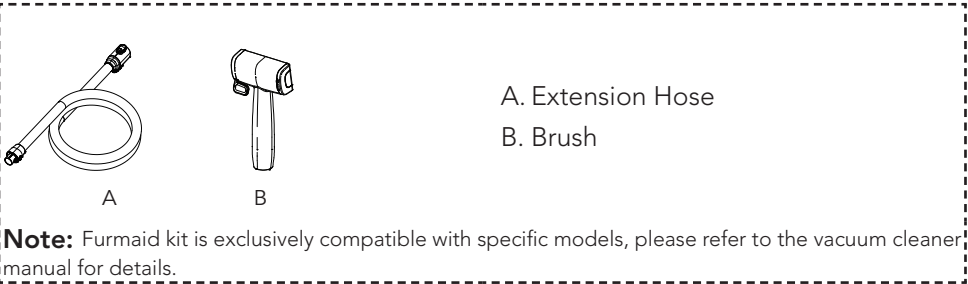
Overview



- A. Upper Part
- B. Dustbin Module
- C. Docking Base
- D. Digital Display
- E. Dustbin Release Button
- F. Dustbin

- G. HEPA Filter
- H. 2-in-1 Crevice Dusting Brush
- I. Mini Power Brush
- J. Charging port
- K. Cleaning tool

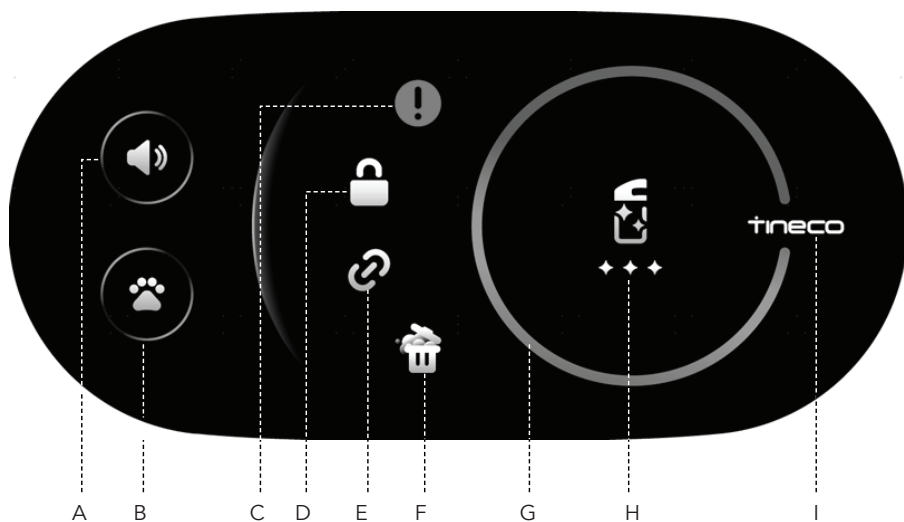
FURFREE KIT



- A. Extension Hose
- B. Brush

Note: Furmaid kit is exclusively compatible with specific models, please refer to the vacuum cleaner manual for details.

Digital Display of Clean Station



A. Voice Prompt Button

B. Pet Grooming Button

C. Malfunction

D. Vacuum Locked/Unlocked

E. Signal Connection

F. Dustbin Maintenance

G. Dust Monitoring Loop (Cleaning is complete when the dust monitoring loop turns from red to solid blue.)

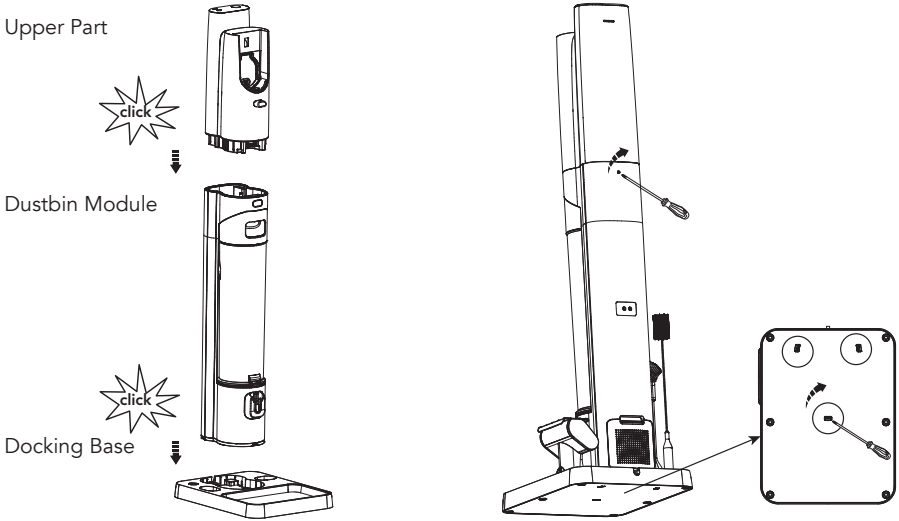
H. Self-cleaning

I. Tineco Logo

Assembly

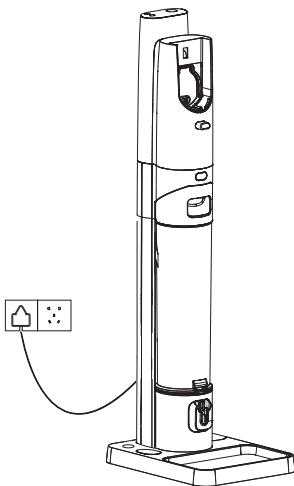
Clean Station Assembly

Note: Please make sure the clean station is placed on a hard flat surface

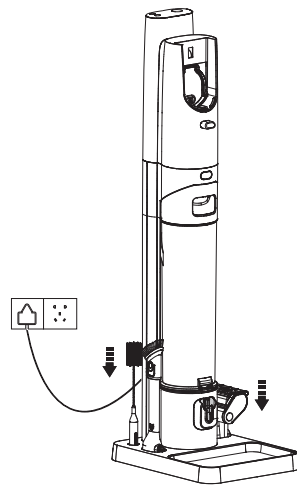


Insert dustbin module into docking base first, then insert upper part into dustbin module.

In the event that the Clean Station need to be disassembled, press the latch with tool to remove the three parts.



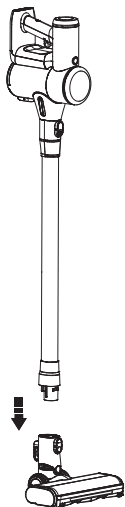
Plug in the Clean Station.



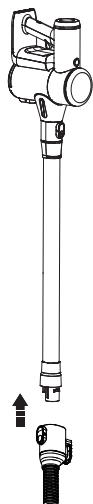
Place the accessories on the clean station for convenient storage after use .

FURFREE Kit installation.

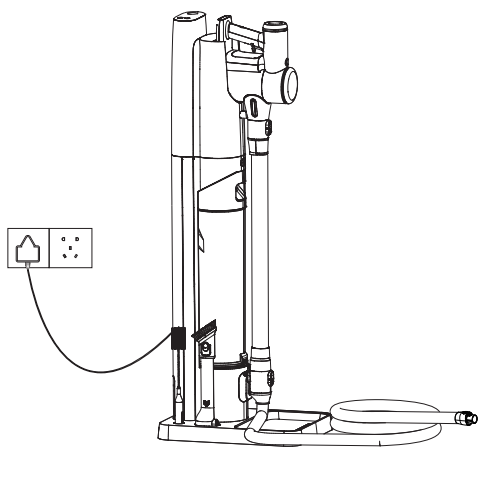
EN



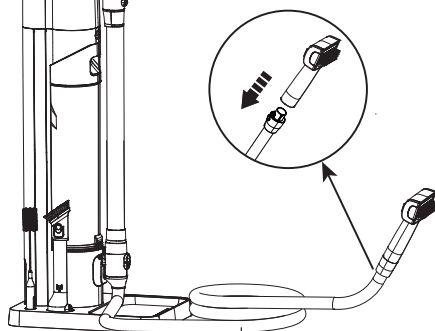
Remove the brush roller.



Install the extension hose.



Place the vacuum cleaner onto the Clean Station.



Insert the extension hose to the connection part of the brush.

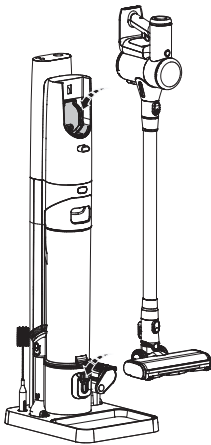
Note: Do not bend connecting part when assembling.

Operation

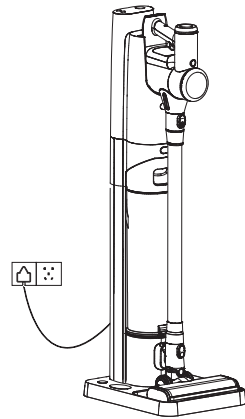
Vacuum's Dustbin Emptying & Vacuum Charging

Note:

- To make sure that the vacuum cleaner is successfully charged, please place it near the charging port. Also, place the dustbin close enough to the suction port of the Clean Station to ensure that the Clean Station is fully operational.
- The vacuum cleaner cannot be charged when connected to accessories other than the brush roller.
- The vacuum cleaner is not allowed to be removed when the self-cleaning or pet grooming feature is activated.



Place the vacuum onto the Clean Station. The Clean Station will then start charging, and meantime, self-cleaning will also be activated.



When self-cleaning is complete, the Dust Monitoring Loop turns solid blue, and the voice announces "Self-cleaning completed."

Warning:

- Only use the Tineco-provided adapter to charge the appliance.
- To avoid trip hazards, please place the appliance securely on the charging dock, near a wall during charging.
- During long periods of not being used, store the appliance in a cool, dry place. Ensure the battery is fully charged every 3 months.
- Do not expose appliance to sunlight or freezing temperature. Recommended temperature range: 39.2°F (4°C)~104°F (40°C).