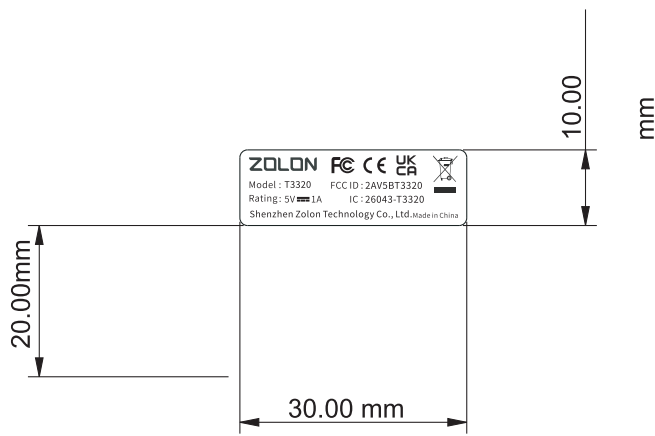


REV	DESCRIPTION	DATE	NUMBER
1.0		20230707	
2.0			



TOLERANCE TABLE FOR UNTOLERANCED DIMENSIONS		Designed by	Title/Name		Part no
DIMENSIONS	TOLERANCE	Checked by	T3320英文铭牌 贴纸(北美+欧亚)		Model no
0.00 To 25.00 25.01 To 50.00 50.01 To 100.00 100.00 AND ABOVE ANGLES	±0.10 ±0.15 ±0.20 ±0.30 ±1.00°	Confirmed by	Material/Color		Marker
		Product	General Wall Thickness		Scale
		Standardization	PAX Computer Technology (SHENZHEN) Co., Ltd.		Unit
		Approved by			Size
				mm	Sheet   Of