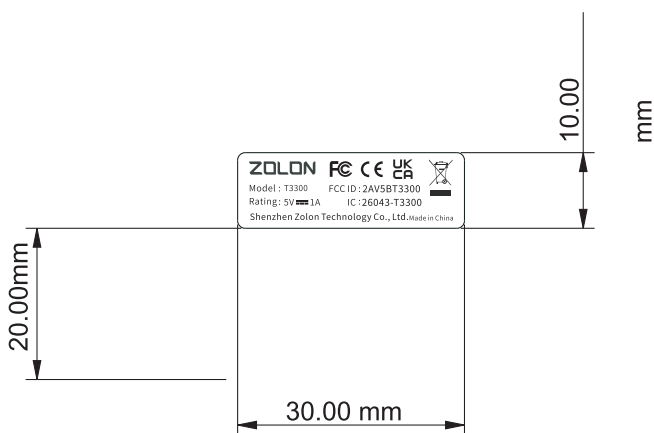




REV	DESCRIPTION	DATE	NUMBER
1.0		20230707	
2.0			



TOLERANCE TABLE FOR UNTOLERANCED DIMENSIONS		Designed by	Title/Name		Part no				
DIMENSIONS	TOLERANCE	Checked by	T3300英文铭牌 贴纸(北美+欧亚)		Model no	T3320			
0.00 To 25.00 25.01 To 50.00 50.01 To 100.00 100.00 AND ABOVE ANGLES	±0.10 ±0.15 ±0.20 ±0.30 ±1.00°	Confirmed by	Material/Color		Marker				
		Product	General Wall Thickness		Scale	1 : 1	Weight/g		
		Standardization	PAX Computer Technology (SHENZHEN) Co., Ltd.			Unit	mm	 	
		Approved by				Size		Sheet Of	