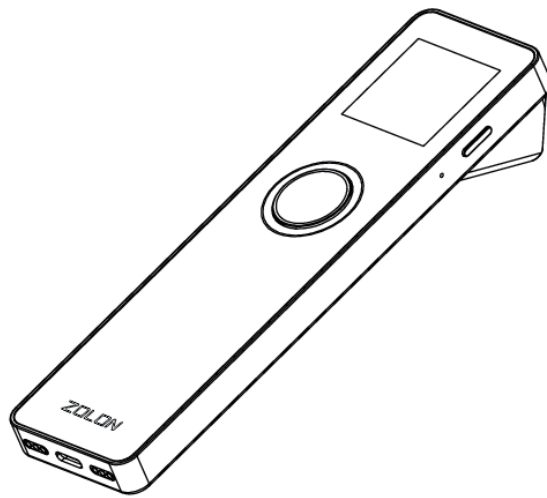


ZOLON

Quick Setup Guide

T3300 Data Service Terminal



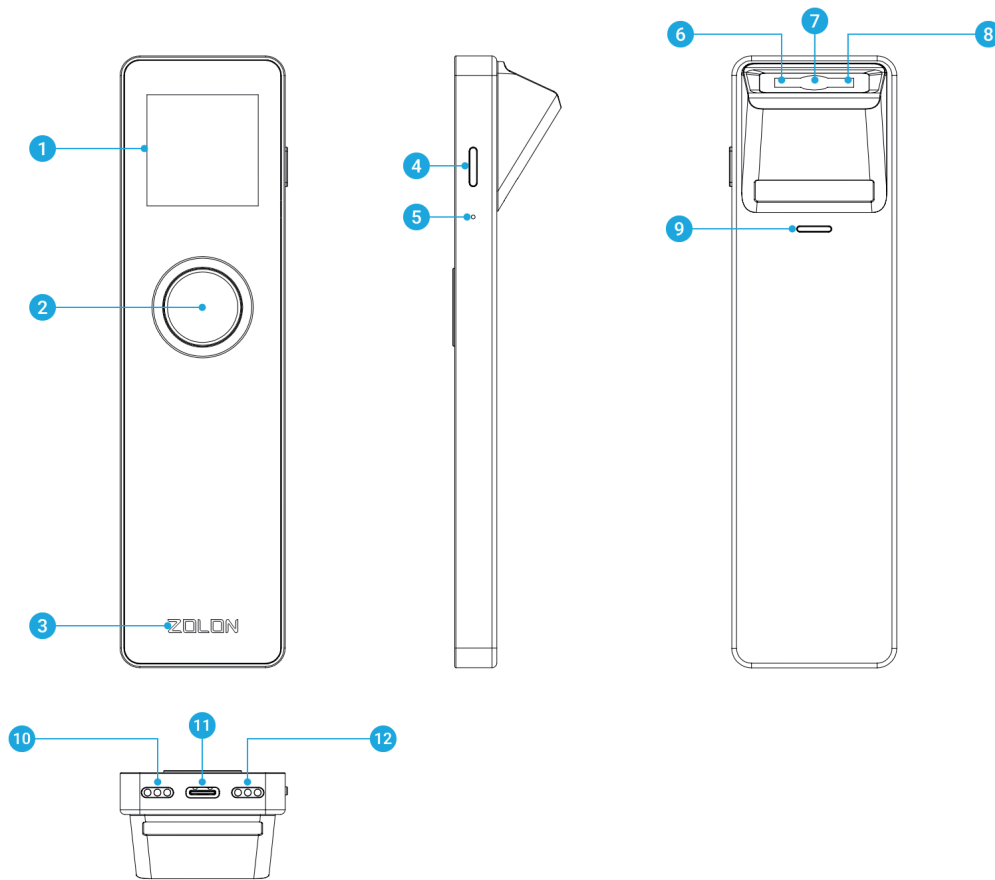
Shenzhen Zolon Technology Co., Ltd.

1. Contents Checklist

Congratulations on receiving your Zolon Technology payment terminal. We do hope you enjoy it!
The box you have just opened should contain the following items:

- 1 x T3300 Data Service Terminal
- 1 x T3300 Base
- 1 x USB Cable

2. Description



- | | |
|----------------------------|----------------------------|
| 1. LCD touchscreen | 7. Camera |
| 2. Scan code/ photo button | 8. Locator light |
| 3. LOGO | 9. Speaker |
| 4. Power button | 10. Charging base contacts |
| 5. Microphone jack | 11. USB Type-C port |
| 6. Fill light | 12. Charging base contacts |

3. Installation

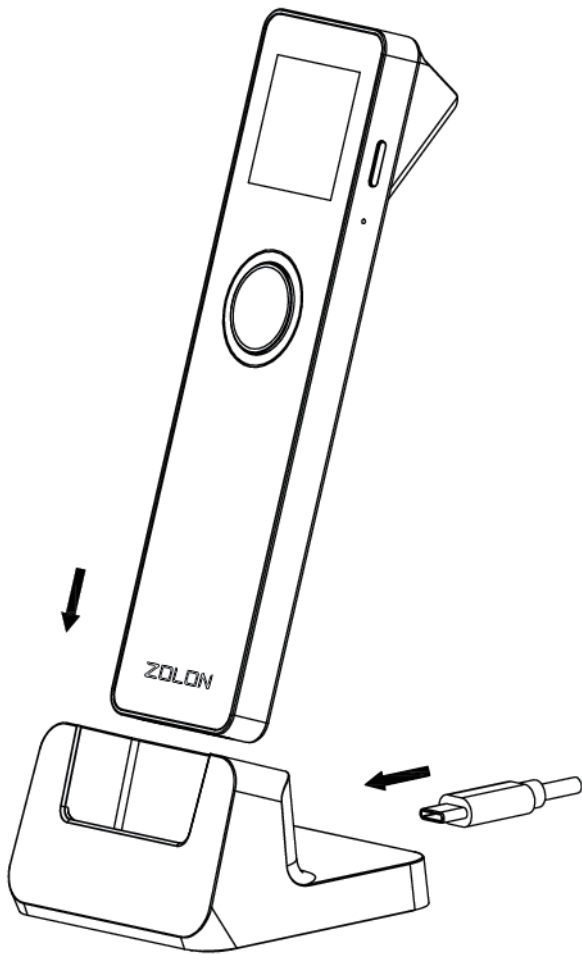
- **Power ON/OFF**
- **Power on:** Press and hold the Power button (on the top side) for three seconds until the circular LED light up.
- **Power off:** Press and hold the Power button (on the top side) for three seconds until the shutdown menu appears, tap "Shutdown", The terminal will be turned off after a few seconds.

4. Performance Parmmeters

Basic specifications	External dimension	156mm*42mm*26.8mm
	CPU	ARM Cortex-A7 DualCore,1GHz processor
	Memory	128MB DDR+128MB Flash
	LCD&TP	1.54 inch color touch screen,240*240pixels
	Camera	2 mega-pixel camera
	Audio	Built-in speaker/Built-in MIC.
	Battery capacity	1400mAh
	WirelessCommunication	Support Wi-Fi [®] 2.4/5G, Bluetooth [®] 5.0
	Type-C power port	DC 5V±5% 1A
	Peripheral Ports	1 * Type-C ports,1* Pogo pin port
	Aiming indicator	Red LED 625nm
Scanning performace	Symbologies	ID:EAN13,EAN8,UPC-A,UPC-E,Code128,Code39,Code93,Codabar,Interleaved 2 of 5, and etc.
		2D:QR Code ,PDF417,DataMatrix ,Aztec and etc.
	Reading precision	≥4mil
	Depth of scan field	EAN-13: 50~280mm (13mil)
		Code128:50~320mm (15mil)
		QR Code:30~200mm (15mil)
	Field of view angle	Horizontal 42°,vertical 25°
	Barcode sensitivity	Picth ±50°
Roll ±360° Yaw ±50°		
Contrast signal	≥25%	
Environment paramters	Operating Temperature	Temperature (for battery discharge mode) : -10°C~50°C(14°F ~ 122°F)
		Temperature (for charge mode) : 0°C~45°C(32°F ~ 113°F)
	Storage temperature	Temperature:-20°C ~ 70°C(-4°F ~ 158°F)
	Relative humidity	5% ~ 95% (non-condensing)
Drop height	1.2m	

5. Terminal Installation and Usage Tips

- Remove the stains on the reading window with a hairbrush.
- Please clean the window with a piece of soft cloth, e.g., glasses cleaning cloth.
- Please use in the normal environment indoor and outdoor, avoid wet and water.
- Install the T3300 Base. Plug in Type C port in the Base.
- Place the T3300 in the right direction as the Description picture shows.
- The T3300 will Power ON when place T3300 on the Base.
- Press the power Key to shutdown the T3300 when not use it. Press the power Key until the shutdown menu appears, press the menu to shut down T3300.
- Charge the T3300 in two ways: Place T3300 on the Base with Type C plug in or plug Type C into T3300.



Zolon Technology Limited reserves the right to change product technology specifications at any time.

6. Important Safety Warning

- Do not place the terminal or battery in direct sunlight, nor in environments with excessively high temperatures, smoke, dust, or dampness.
- Do not attempt to disassemble the battery, nor insert or use foreign objects to penetrate the casing. Never place the battery in a fire or excessively hot surfaces. Take care not to drop the battery. Excessive external shocks or pressure could cause battery liquid leakage

or result in the battery catching fire or even exploding. Keep the battery well away from children and animals.

- Immediately replace any battery which appears to be deformed, expanded or in an overheated state.
 - We recommend you only use power adaptors supplied by Zolon Technology. If you must use 3rd party supplier accessories, please ensure specifications meet exactly those recommended for our products, which must comply with international and local regulations & standards. Non-compatible power supplies, chargers or batteries could cause fires or even explosions, and will invalidate any product warranty.
 - Charge the battery when the indicator level is low, but make sure to never charge a battery continuously for more than 24 hours. If a battery is not used for a long time, please charge it at least once every 6 months to avoid overcharge or discharge damage. For long-term optimal product performance, it is recommended that a battery be replaced after 2 years of continual usage.
 - When disposing of the device, battery, or accessories, please do so responsibly and according to local regulations. These are not household waste items. Improper disposal of the battery could cause a fire or explosion, and any liquid leakage could be damaging to the environment and toxic to humans & animals.
-
- **Replacement of a battery with an incorrect type that can defeat a safeguard (for example, in the case of some lithium battery types);**
 - Disposal of a battery into fire or a hot oven, or mechanically crushing or cutting of a battery, can result in an explosion;
 - Leaving a battery in an extremely high temperature surrounding environment can result in an explosion or the leakage of flammable liquid or gas;
 - A battery subjected to extremely low air pressure that may result in an explosion or the leakage of flammable liquid or gas.

FCC Regulations:

This device complies with part 15 of the FCC Rules. Operation is subject to the following two conditions: (1) This device may not cause harmful interference, and (2) this device must accept any interference received, including interference that may cause undesired operation.

This device has been tested and found to comply with the limits for a Class B digital device, pursuant to Part 15 of the FCC Rules. These limits are designed to provide reasonable protection against harmful interference in a residential installation. This equipment generates, uses and can radiate radio frequency energy and, if not installed and used in accordance with the instructions, may cause harmful interference to radio communications. However, there is no guarantee that interference will not occur in a particular installation. If this equipment does cause harmful interference to radio or television reception, which can be determined by turning the equipment off and on, the user is encouraged to try to correct the interference by one or more of the following measures:

-Reorient or relocate the receiving antenna.

-Increase the separation between the equipment and receiver.

-Connect the equipment into an outlet on a circuit different from that to which the receiver is connected.

-Consult the dealer or an experienced radio/TV technician for help.

Caution: Changes or modifications not expressly approved by the party responsible for compliance could void the user's authority to operate the equipment.

RF Exposure Information

This device meets the government's requirements for exposure to radio waves.

This device is designed and manufactured not to exceed the emission limits for exposure to radio frequency (RF) energy set by the Federal Communications Commission of the U.S. Government.

This device complies with FCC radiation exposure limits set forth for an uncontrolled environment. In order to avoid the possibility of exceeding the FCC radio frequency exposure limits, human proximity to the antenna shall not be less than 20cm (8 inches) during normal operation.

ISED Notice

This device complies with Innovation, Science and Economic Development Canada license-exempt RSS standard(s). Operation is subject to the following two conditions:

- 1) this device may not cause interference, and
- 2) this device must accept any interference, including interference that may cause undesired operation of the device.

Le présent appareil est conforme aux CNR Innovation, Sciences et Développement économique Canada applicables aux appareils radio exempts de licence. L'exploitation est autorisée aux deux conditions suivantes:

1) l'appareil ne doit pas produire de brouillage, et

2) l'utilisateur de l'appareil doit accepter tout brouillage radioélectrique subi, même si le brouillage est susceptible d'en

IC:26043-T3300

ISED RF Exposure Statement

This device complies with ISED RSS-102 RF exposure limits set forth for an uncontrolled environment. In order to avoid the possibility of exceeding the IC RSS-102 RF exposure limits, human proximity to the antenna shall not be less than 20cm (8 inches) during normal operation.

Cet appareil est conforme aux limites d'exposition aux rayonnements de la CNR-102 définies pour un environnement non contrôlé. Afin d'éviter la possibilité de dépasser les limites d'exposition aux fréquences radio de la CNR-102, la proximité humaine à l'antenne ne doit pas être inférieure à 20 cm (8 pouces) pendant le fonctionnement normal.

Zolon Technology Co., Ltd.

Manufacturer:	Shenzhen Zolon Technology Co.,Ltd.
Address:	401, Building 3, Shenzhen Software Park, Maling Community, Yuehai Street, Nanshan District, Shenzhen City, Guangdong Province, P.R.C
Tel:	+86 755 86727847
Website:	www.szzolon.com

Zolon continually invests to maintain its high quality products up to date with the latest certifications, therefore a comprehensive list can be requested via the website's contact form or on downloadable product brochures.

T3300 User Guide



<https://manual.szzolon.com/ProHTML/20230627171142300.html>