

What's in the Box



Tools needed but not included: Allen Key & Spanner
CAUTION: Before operating the Force Combo please tighten all nuts and bolts.

Specs & Features

Vega

- Max Speed: Up To 9 mph
- Max Range: Up To 12 miles
- Battery: 25.2V, 4.0Ah Lithium-Ion
- Motor: 500W Dual Hub Motor, (250w x 2)
- Product Weight: 17 lb
- Product Dimensions: 24.5" x 8" x 7.5"
- Tire Size: 6.5"
- Charger: UL Listed, 100-130V
- Charge Time: Up To 3 Hours
- Climbing Angle: Up To 15°
- Weight Limit: 220 lb
- Recommended Age: 12+

Force

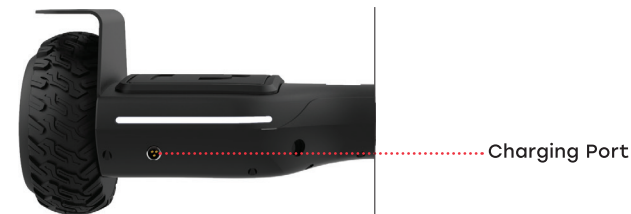
- Weight Limit: 220 lb
- Recommended Age: 12+
- Product Weight: 17 lb
- Product Dimensions: 39" x 22.5" x 12"

*Adults must assist children in the initial assembly and adjustment procedures to fold/unfold product and adjust handlebars.

1. Get Started

1.1 Charging the Battery

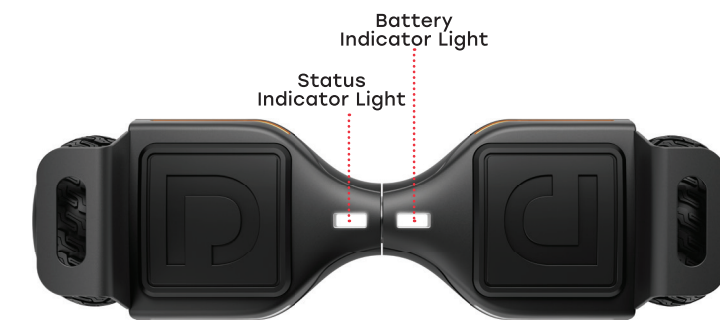
- Only use the included charger
- Plug the charger into the wall before the Charging Port
- Don't turn on the Vega while it's charging
- Charge the battery until it is fully charged - up to 3 hours



CHARGING INDICATOR ON THE CHARGER:

- - Charging
- - Charge Complete

1.2 Indicator Lights

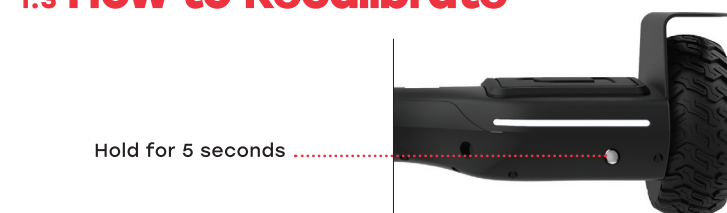


Battery Indicator Light	●	●	●
Percentage	< 20%	20-49%	50% +

Warning: The Vega will automatically slow down and lean up once the battery power goes below 10% as a safety precaution.

Status Indicator Light - Lights up blue when you step onto the Vega. If the Status Indicator Light turns red or if you are having issues with the Vega, you may need to recalibrate it.

1.3 How to Recalibrate



Follow these 3 simple steps...

1. Place the Vega on a flat, level surface and hold still.
2. Hold the Power Button (for about 5 seconds) until you are notified of a successful recalibration.
3. Restart the Vega by turning it off and then on.

1.4 Connecting to Bluetooth®

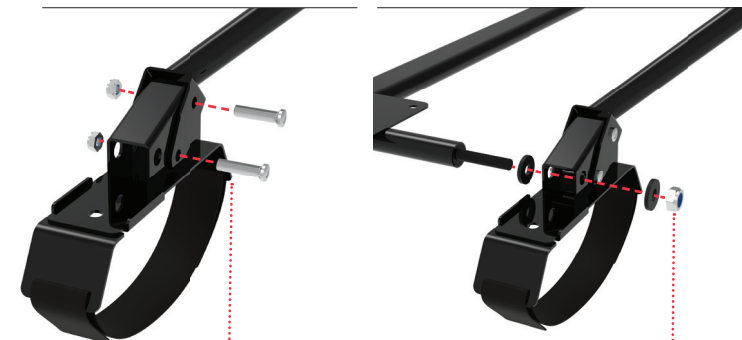
The Vega comes equipped with Bluetooth® speaker.

To connect to your Bluetooth® speaker:

- Turn on the Vega, and it will become discoverable to your handheld device.
- Activate your Bluetooth® in your handheld device's settings.
- Find the Vega in your handheld device's list and select it.
- Now you can play your music.

2. Assembly

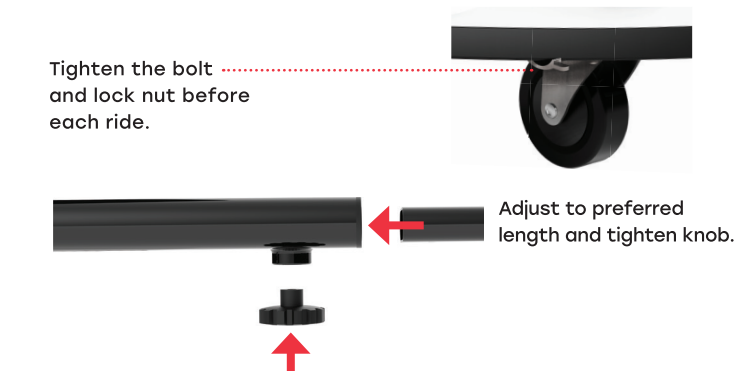
2.1 Assembling the Handles



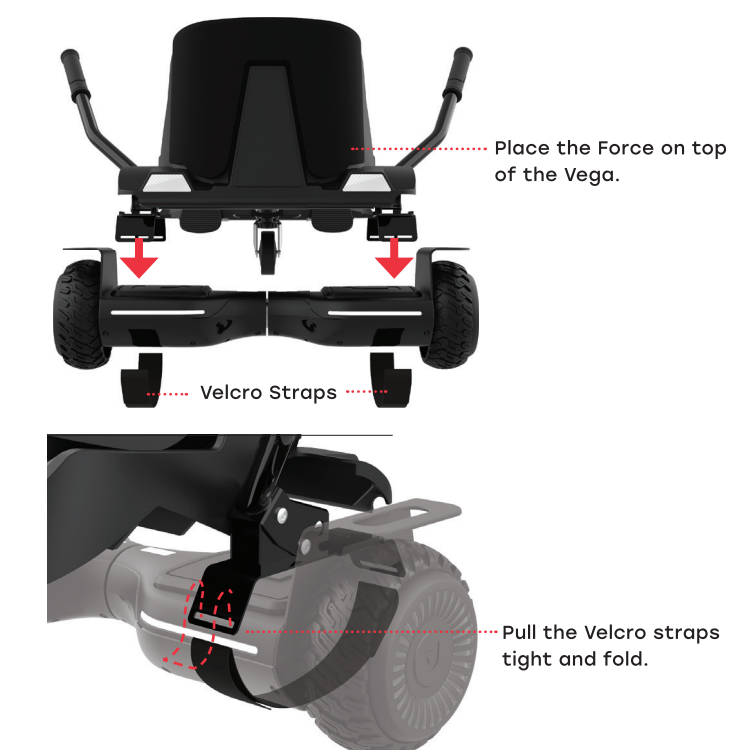
Attach the handle to the bracket using **A(x2)** and **B(x2)**.

Then, attach to the frame using **B(x1)** and **C(x2)**. Remember to do this on both sides of the Force.

2.2 Adjusting the Foot Rest



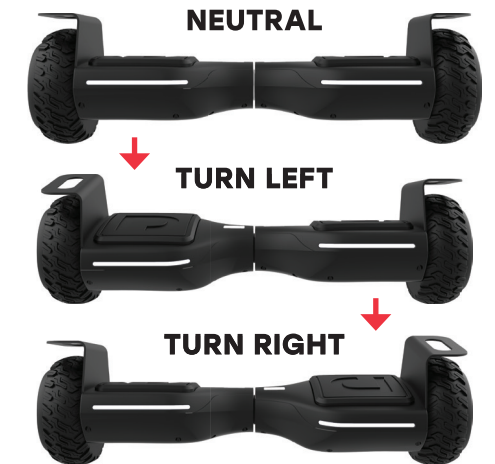
2.3 Attaching the Force



Please Note: Images may not reflect exact appearance of actual product.

3. Make Moves

3.1 Riding the Vega



3.2 Turning the Lights On

Follow these 3 simple steps...

1. Connect the wire at the back of the Seat into the Charging Port.
2. Make sure the Connector is secure.
3. Power the Vega on and the Seat Light will turn on.

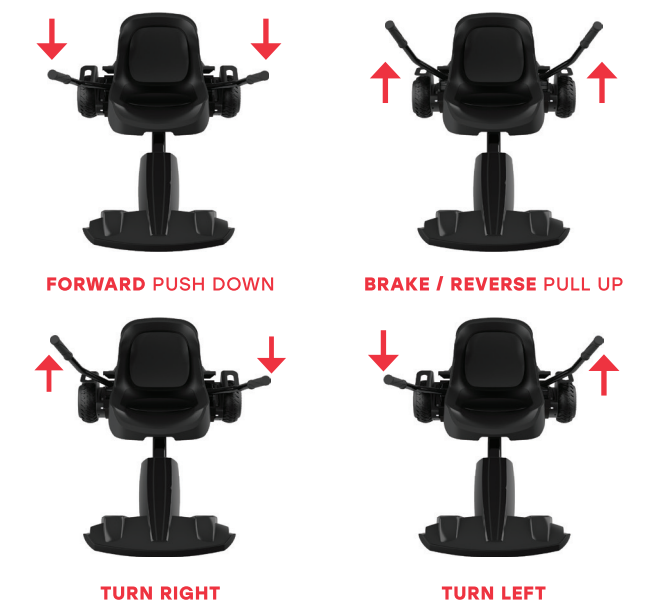
Please Note: The Connector should always be connected while riding.

- The default lighting mode will display when the Force and Vega are both connected and powered on.
- Short press the power button to switch between 4 lighting effects.

Lighting effect modes:

1. Inward Lighting Effect
2. Outward Lighting Effect
3. Flashing Lighting Effect
4. Cool Blue Lighting Effect

3.3 Riding the Force



1. Place the Force on a flat surface with the Vega turned off.
2. Carefully take a seat and place your feet on the Foot Rest.
3. Make sure the Vega is leveled.
4. Now it's time to turn on your Vega.

Note: If the Vega is not leveled when you turn it on, the Force will go forward or backward immediately. Tighten all screws and locking nuts before each ride to ensure they are tight.

Care & Maintenance

CLEANING

THE Force

To clean the Force, carefully wipe with a damp cloth, then dry with a dry cloth. Do not use water to clean the Force, this may damage the frame or seat.

THE Vega

To clean the Vega, carefully wipe with a damp cloth, then dry with a dry cloth. Do not use water to clean the Vega, as the electrical and electronic systems may get wet, resulting in personal injury or malfunction of the Vega. If the electric parts or battery get wet, do not power on the Vega. Please contact Jetson Customer Support for assistance.

FEW MUST-DO'S

- Keep away from fire and excessive heat.
- Avoid intense physical shock, severe vibration, or impact.
- Please ride the Force on a smooth, flat surface.
- Protect from water or moisture.
- Contact Jetson Customer Support if there are any issues with the Force.

RIDING RANGE

The maximum range is 12 miles. However, many factors will affect how far you can go per charge:

- Driving Surface: A smooth, flat surface will increase driving distance.
- Weight: More weight means less distance.
- Temperature: Ride, store, and charge the Vega above 50°F.
- Maintenance: Timely battery charging will increase driving distance.
- Riding Style: Frequent starting and stopping will reduce driving distance.

BATTERY

- Keep away from fire and excessive heat.
- Avoid intense physical shock, severe vibration, or impact.
- Protect from water or moisture.
- Do not disassemble the Vega or its battery.
- Contact Jetson Customer Support if there are any issues with the battery.

STORAGE

- Fully charge the battery before storing. The battery should be fully charged once a month after this.
- Cover to protect against dust.
- Store indoors, in a dry place.


MODIFICATIONS

Do not attempt to disassemble, modify, repair, or replace the product or any components of the unit without instruction from Jetson Customer Support. This will void any warranty, and can lead to malfunctions which may cause injury.

ADDITIONAL OPERATION CAUTIONS

Do not lift the product off the ground while it is on and the wheels are in motion. This can result in freely spinning wheels, which may cause injury to yourself or others nearby. Do not jump on or off the product, and do not jump while using it. Always keep your feet firmly planted on the mat sensors while in operation. Always check the battery charge before using.

DISPOSAL OF USED BATTERY

 Battery may contain hazardous substances which could endanger the environment and human health. This symbol marked on the battery and/or packaging indicates that used battery shall not be treated as municipal waste. Batteries should be disposed of at an appropriate collection point for recycling. By ensuring the used batteries are disposed of correctly, you will help preventing potential negative consequences for the environment and human health. The recycling of materials will help to conserve natural resources. For more information about recycling of used batteries, please contact your local municipality waste disposal service.

The Bluetooth® word mark and logos are registered trademarks owned by the Bluetooth SIG, Inc. And any use of such marks by Jetson Electric Bike LLC. is under license. Other trademarks and trade names are those of their respective owners.

To maintain compliance with FCC's RF Exposure guidelines, This equipment should be installed and operated with minimum distance between 20cm the radiator your body: Use only the supplied antenna.

Remember to be safe and most importantly, have fun!

Safety Warnings

- Before use, please read the user manual and safety warnings carefully, and make sure you understand and accept all the safety instructions. The user will be responsible for any loss or damage caused by improper use.
- Before each cycle of operation, the operator shall perform the preoperation checks specified by the manufacturer: That all guards and pads originally supplied by the manufacturer are in proper place and in serviceable condition; That the braking system is functioning properly; That any and all axle guards, chain guards, or other covers or guards supplied by the manufacturer are in place and in serviceable condition; That tires are in good condition, inflated properly, and have sufficient tread remaining; The area that the product is to be operated should be safe and suitable for safe operation.
- Components shall be maintained and repaired in accordance with the manufacturer's specifications and using only the manufacturer's authorized replacement parts with installation performed by dealers or other skilled persons.
- Warning against recharging non-rechargeable batteries.
- Don't allow hands, feet, hair, body parts, clothing, or similar articles to come in contact with moving parts, wheels, or drive train, while the motor is running.
- This product should not be used by children or persons with reduced physical, sensory or mental capabilities, or lack of experience and knowledge, unless they have been given supervision or instruction (IEC 60335-1A2:2006).
- Unsupervised children should not play with the product (IEC 60335-1A2:2006).
- Adult supervision is required.
- The rider should not exceed 220 lb.
- Units shall not be operated to perform racing, stunt riding, or other maneuvers, which may cause loss of control, or may cause uncontrolled operator/passenger actions or reactions.
- Never use near motor vehicles.
- Avoid sharp bumps, drainage grates, and sudden surface changes. Scooter may suddenly stop.
- Avoid streets and surfaces with water, sand, gravel, dirt, leaves, and other debris. Wet weather impairs traction, braking, and visibility.
- Avoid riding around flammable gas, steam, liquid, or dust that could cause fire.
- Operators shall adhere to all of the manufacturer's recommendations and instructions, as well as comply with all laws and ordinances: Units without headlights shall be operated only with adequate daylight conditions of visibility, and; Owners shall be encouraged to highlight (for conspicuity) using lighting, reflectors, and for low-riding units, signal flags on flexible poles.
- Persons with the following conditions shall be cautioned not to operate: Those with heart conditions; Pregnant women; Persons with head, back, or neck ailments, or prior surgeries to those areas of the body; and persons with any mental or physical conditions that may make them susceptible to injury or impair their physical dexterity or mental capabilities to recognize, understand, and perform all of the safety instructions and to be able to assume the hazards inherent in unit use.
- Do not ride at night.
- Do not ride after drinking or taking prescription medication.
- Do not carry items when riding.
- Never operate the product barefooted.
- Always wear shoes and keep shoelaces tied.
- Make sure your feet are always placed securely on the deck.
- Operators always shall use appropriate protective clothing, including but not limited to a helmet, with appropriate certification, and any other equipment recommended by the manufacturer: Always wear protective equipment such as helmet, knee pads, and elbow pads.
- Always give way to pedestrians.
- Be alert to things in front and far away from you.
- Do not allow distractions when riding, such as answering the phone or engaging in any other activities.
- The product cannot be ridden by more than one person.
- When you ride the product along with other riders, always keep a safe distance to avoid a collision.
- When turning, be sure to maintain your balance.
- Riding with improperly adjusted brakes is dangerous and can result in serious injury or death.
- The brake may become hot while operating, do not touch the brake with your bare skin.
- Applying brakes too hard or too suddenly can lock up a wheel, which could cause you to lose control and fall. Sudden or excessive application of the brake may result in injury or death.
- If the brake loosens, please adjust with the hexagon wrench, or please contact Jetson Customer Support.
- Replace worn or broken parts immediately.
- Check whether all safety labels are in place and understood before riding.
- The owner shall allow the use and operation of the unit after a demonstration that such operators can understand and operate all components of the unit before use.
- Do not ride without proper training. Do not ride at high speeds, on uneven terrain, or on slopes. Do not perform stunts or turn abruptly.
- Recommended for indoor use.
- Prolonged exposure to UV rays, rain and the elements may damage the enclosure materials, store indoors when not in use.

California Proposition 65

WARNING:

This product can expose you to a chemical such as Cadmium that is known to the state of California to cause cancer or birth defects or other reproductive harm. For more information go to www.p65warnings.ca.gov/product

NOTICE OF COMPLIANCE

This device complies with Part 15 of the FCC Rules. Operation is subject to the following two conditions: (1) this device may not cause harmful interference, and (2) this device must accept any interference received, including interference that may cause undesired operation.

Warning: Changes or modifications to this unit not expressly approved by the party responsible for compliance could void the user's authority to operate the equipment.

NOTE: This equipment has been tested and found to comply with the limits for a Class B digital device, pursuant to Part 15 of the FCC Rules. These limits are designed to provide reasonable protection against harmful interference in a residential installation. This equipment generates, uses and can radiate radio frequency energy and, if not installed and used in accordance with the instructions, may cause harmful interference to radio communications. However, there is no guarantee that interference will not occur in a particular installation. If this equipment does cause harmful interference to radio or television reception, which can be determined by turning the equipment off and on, the user is encouraged to try to correct the interference by one or more of the following measures:

- Reorient or relocate the receiving antenna.
- Increase the separation between the equipment and receiver.
- Connect the equipment into an outlet on a circuit different from that to which the receiver is connected.
- Consult the dealer or an experienced radio/ TV technician for help.

Shielded cables must be used with this unit to ensure compliance with the Class B FCC limits.

JETSON

Force Extreme-Terrain Combo.

A guide for your ride.

Model: JFORCE-BLK

Enjoying the ride?

Leave a review on ridejetson.com/reviews or share your photos with us online using the #RideJetson hashtag!

Questions? Let us know.

support.ridejetson.com

Hours of Operation: 7 Days a Week, 10am-6pm
US 1-(888) 976-9904 | UK +44 (0)33 0838 2551

Manufactured in Yueyang, China
Imported by Jetson Electric Bikes LLC.
1 Rewe Street, Brooklyn, New York 11211

www.ridejetson.com



Follow us @ridejetson
#MakeMoves



Date Code: 03/2020
Made in China

JETSON

CONFIDENTIAL FILE INFORMATION

DATE: 04/02/2020

FILE NAME: Force-manual.indd

FOLDED SIZE: L4.321" * H11" | L109.7mm * H279.4mm

UNFOLDED: L17" * H11" | L431.8mm * H279.4mm

BLEED: .125" | 3.175mm ON ALL SIDES

PRINTER SPECIFICATIONS

SCALE: 100%

MATERIALS:

- 350g C2S
- Printed double sided: 4C



PRINTER SPECIFICATIONS

SCALE: 100%

MATERIALS:

- 80lbs Matte 96/97 Bright White Art Paper
- Printed double sided

FINISHING/NOTES AND SYMBOLS:

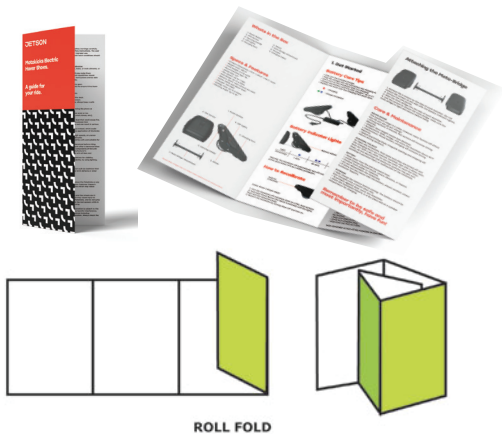
TRIM TO SIZE, SCORE, FOLD and GLUE IN SPECIFIED AREAS.

SCORE



FOLDING INSTRUCTIONS:

FOLLOW THE SCORING LINES 8 PANEL ROLL FOLD



ROLL FOLD

DO NOT PRINT COMMENT, SCORING OR DIE LINES LAYERS!

Physical sample according to specs must be approved by JETSON BIKE before proceeding to production.

COMMENTS (Internal reference only)

File created by Eitan Adika & Angelina Zavilevich