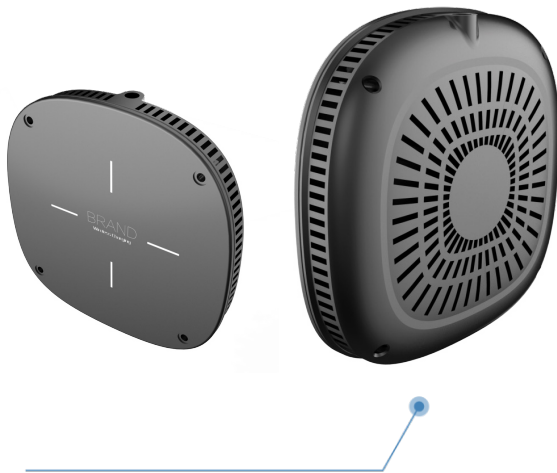


Product Introduction and Test Report

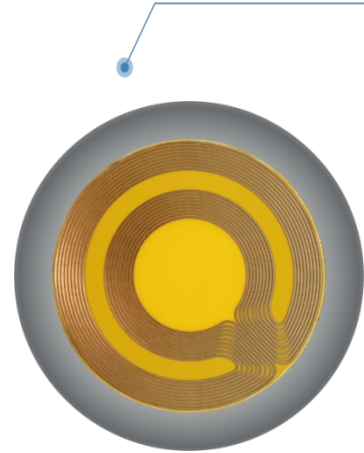
V1.0_20190902



01 Product Introduction



Enhancing Sticker



Magnetic resonance wireless charging transmitter

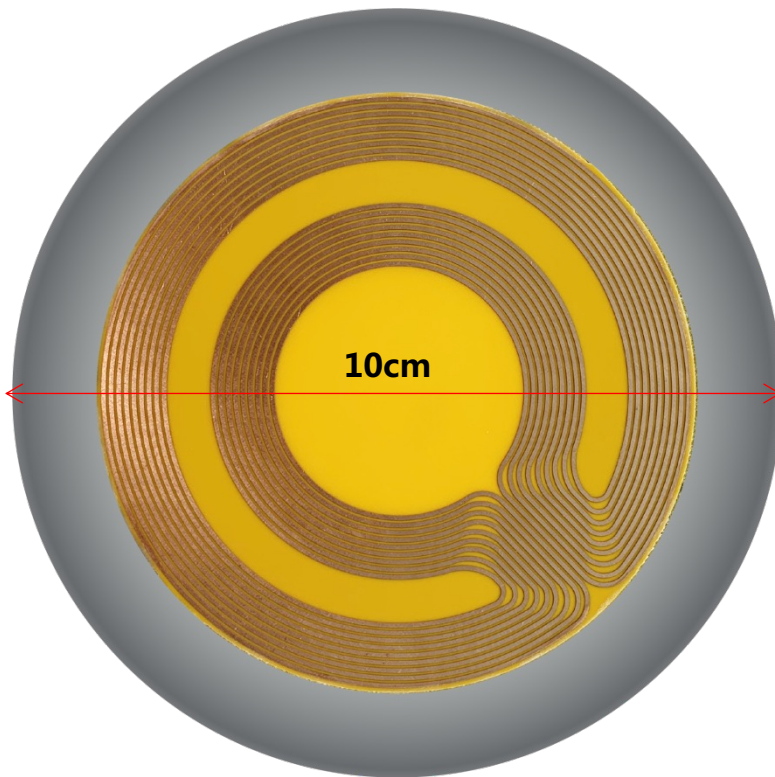
This product is a wireless charging transmitter which is compatible with Qi. New designs are added to the coil of standard Qi transmitter by adopting proprietary long-distance coil and making adjustments to the control strategy. Compared with the traditional A11 coil with 8mm charging distance, this product can achieve vertical shift at a range of 18mm-35mm with a single coil, which enables it to adapt to the needs of various situations.

02

Electrical Specification of Transmitting Terminal

Project	Specification
Product Model	U280-Q01FL-UD
Dimension	106mm * 106mm *20mm
Net Weight	190g
Material	ABS
Work Temperature	0-45°C
Wireless charging standard	Compatible with Qi-BPP / SFC
Input	24V-29V / 1A
Output Power	10W
Effective charging distance	18-35mm
Range of horizontal shift	φ20mm
Working frequency	115-205kHz
Standby power loss	<1W
Protection	FOD, OTP , OVP , etc
Product certificate	CE、 FCC、 PSE、 RoHS

03 Enhancing Sticker



Specifications of enhancing sticker

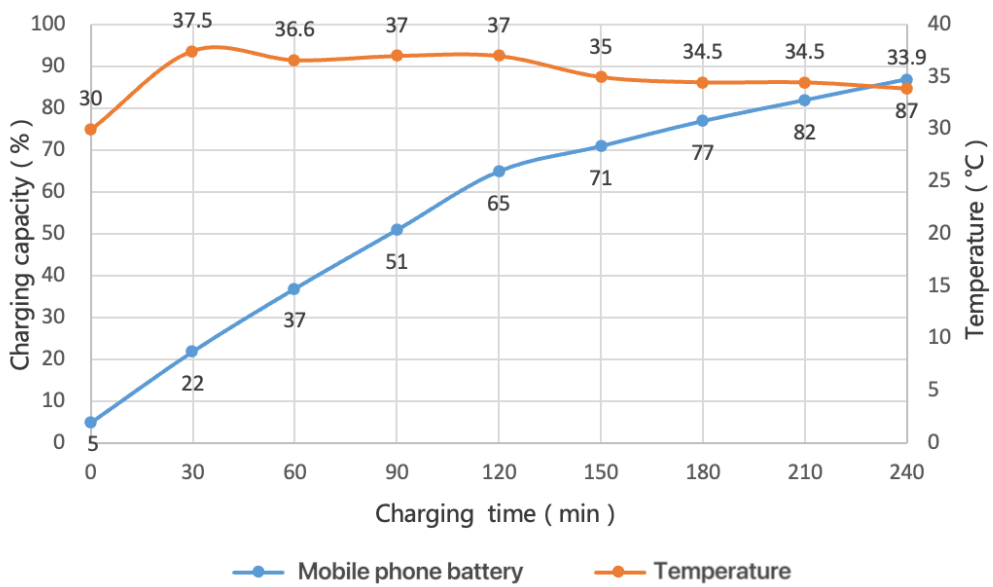
Size: 10cm diameter

Thickness: 0.35mm

Material : Copper Cable

04 Curve of Charging Process & Temperature Rise

Charging Capacity and Temperature Changes



Charging process and Temperature changes

Experimental phone : iPhone X

Experimental distance : 30mm

05

List of Compatibility Test

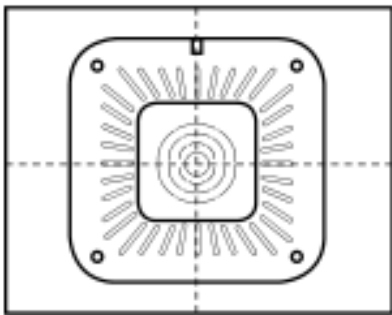
Phone Model			Compatibility
iPhone 8	Samsung S6	Huawei Mate Rs	√
iPhone 8P	Samsung S7	Huawei Mate 20 Rs	√
iPhone X	Samsung S8	Huawei Mate 10Pro	√
iPhone 10	Samsung S9	Huawei Mate 20Pro	√
iPhone 11	Samsung S10	Huawei 30	√
iPhone 11Pro	Samsung S20	Huawei Mate 30Pro	√
iPhone 12/13	Samsung note10	Huawei Mate30e Pro	√
iPhone 12/13 Pro	Samsung note20	Huawei P40	
Wireless charging patch A			√
Wireless charging patch B			√
Wireless charging patch C			√

06

List of FOD Test

Receiver	Powering FOD	Working FOD
Sumsung S7	√	√
Sumsung S10	√	√
Sumsung Note8	√	√
iPhone 8	√	√
iPhone X	√	√
Huawei Mate20 pro	√	√
Wireless charging patch	√	√

07 Installation Instructions



Install the device under the desktop.



The thickness of the table should be more than 15mm and less than 35mm.



After aligning the position of the sticker, attach the magnetic sheet and the table sticker in sequence.



Place the phone in the center of the table sticker to charge.

RF exposure considerations

This equipment complies with the FCC RF radiation exposure limits set forth for an uncontrolled environment. This equipment should be installed and operated with a minimum distance of 20cm between the radiator and any part of your body.

This equipment meets the exemption from the routine evaluation limits in section 2.5 of RSS-102. It should be installed and operated with a minimum distance of 20cm between the radiator and any part of your body.

Cet équipement est conforme à l'exemption des limites d'évaluation habituelle de la section 2.5 de la norme RSS-102. Il doit être installé et utilisé à une distance minimale de 20 cm entre le radiateur et toute partie de votre corps.

FCC Warning

This device complies with Part 15 of the FCC Rules.

Operation is subject to the following two conditions:

- (1) This device may not cause harmful interference, and
- (2) This device must accept any interference received including interference that may cause undesired operation.

Note: This equipment has been tested and found to comply with the limits for a Class B digital device, pursuant to part 15 of the FCC Rules. These limits are designed to provide reasonable protection against harmful interference in a residential installation. This equipment generates, uses and can radiate radio frequency energy and, if not installed and used in accordance with the instructions, may cause harmful interference to radio communications. However, there is no guarantee that interference will not occur in a particular installation. If this equipment does cause harmful interference to radio or television reception, which can be determined by turning the equipment off and on, the user is encouraged to try to correct the interference by one or more of the following measures:

FCC Warning

- Reorient or relocate the receiving antenna.
- Increase the separation between the equipment and receiver.
- Connect the equipment into an outlet on a circuit different from that to which the receiver is connected.
- Consult the dealer or an experienced radio/TV technician for help.

NOTE 2: Any changes or modifications to this unit not expressly approved by the party responsible for compliance could void the user's authority to operate the equipment.

IC Warning

This device contains licence-exempt transmitter(s) that comply with Innovation, Science and Economic Development Canada's licence-exempt RSS(s). Operation is subject to the following two conditions:

- (1) This device may not cause interference.
- (2) This device must accept any interference, including interference that may cause undesired operation of the device.

L'émetteur/récepteur exempt de licence contenu dans le présent appareil est conforme aux CNR d'Innovation, Sciences et Développement économique Canada applicables aux appareils radio exempts de licence. L'exploitation est autorisée aux deux conditions suivantes:

1. L'appareil ne doit pas produire de brouillage;
2. L'appareil doit accepter tout brouillage radioélectrique subi, même si le brouillage est susceptible d'en compromettre le fonctionnement.

Tips



The vertical distance should be no less than 15mm.

Do not put metal material like credit cards, ID cards, etc.on the device.



- Do not put cell phones directly on the transmitter.
- Vertical distance should be longer than 15 mm.
- Do not put the metal objects such as credit cards and ID cards between the charger and the charging phone.