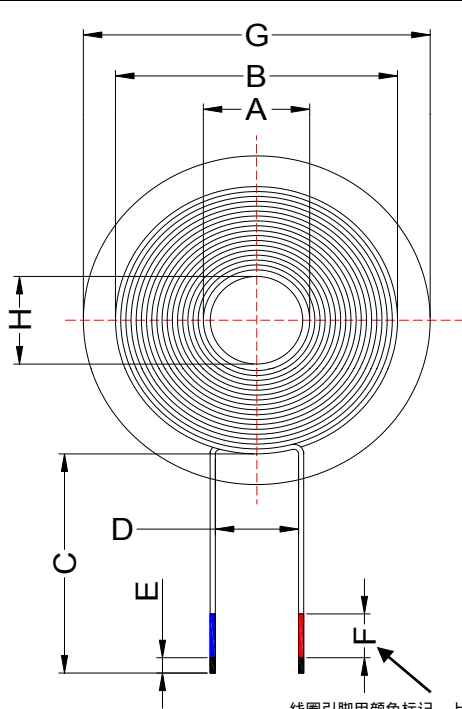


承認書 APPROVAL SHEET

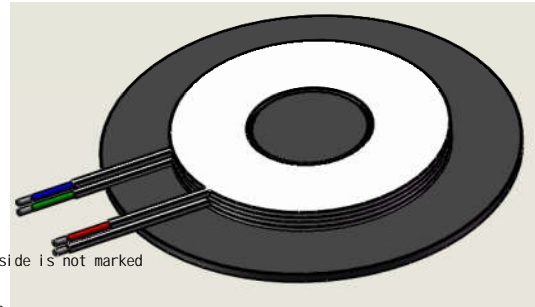
客户 Customer		規格 Description	發行號碼 Issue No.
客戶料號 Customer P/N	WE-L7520-B	客戶圖號 Customer Doc	版本號 Version

1. 尺寸 Dimension(unit: mm):



J尺寸总厚度
J Dimension Total thickness

位置 Position	尺寸 Dimension	公差 Tolerance
A	23.0	±1.0
B	60.0	±1.5
C	60.0	±2.0
D	18.0	REF
E	3.0	±1.5
F	10.0	REF
G	75.0	±1.5
H	20.0	±0.5
I	2.0	±0.15
J	7.0	±0.5



线圈引脚用颜色标记, 上层线圈:
左边用蓝色, 右边用红色标示, 下
线圈左边用绿色示, 右边不用标示
The coil pins are color-coded, and the upper coil:
Blue on the left, red on the right. Down
The left side of the coil is shown in green, and the right side is not marked

2. 備註 Note:

- 1: AFA顺时针绕线, 单线, 双层, 每层圈数为17TS, 共34圈;
AFA clockwise winding, single wire, double layer, the number of turns per layer is 17TS, a total of 34 turns
- 2: 两引线交接, 排线均匀、整齐;
The two leads are connected, and the line is uniform and whole.
- 3: 产品为两个线圈组合贴装磁片, 两线圈之间用丙酮固定, 线圈和磁片之间用AS-126T胶固定;
The product is a combination of two coils mounted magnetic disc, fixed between the two coils with acetone, fixed between the coil and the magnetic disc with AS-126T glue;
- 4: 成品电感 (LS) 为: 上层线圈90.0uH±10%, 下层线圈105.0uH±10% (100KHZ/1V);
The finished inductance (LS) is: upper coil 90.0uH±10%, lower coil 105.0uH±10% (100KHZ/1V);
- 5: 成品Q值为: 158.0 MIN (100KHZ/1V);
Q value of finished product: 158.0MIN (100KHZ/1V);
- 6: 成品直流电阻 (DCR) 为: 197.0m MAX (25℃);
Finished DC resistance (DCR): 197.0m MAX (25℃)
- 7: 材料符合RoHS 及无卤标准要求。
Materials comply with RoHS and halogen-free standards.

3. 材料清單 Raw material:

No.	材料 Material	規格型號 DescriptionPart No.	供應商1 Supplier1	供應商2 Supplier2	供應方式 Method of Supply	備註 Note
1	丙酮丝包线 Acetone silk covered wire	2UEW-F/BT UDTC0.05*250P (AFAR23*0.05*250P*34TS)	BTB-392	BTA-005 BTB-253	自購 Self-buying	
2	无铅锡 Lead-free tin	Sn99.3Cu0.7	BTB-402	BTB-330	自購 Self-buying	
3	磁片 Magnetic sheet	PC95-Φ75*2.0MM(20*5)			客供 Customer supply	
4	双面胶 Double-sided tape	Φ19.0MM 3M9448A	BTB-421	BTB-397	自購 Self-buying	
5	胶水 glue	AS-126T	BTB-326		自購 Self-buying	
6	墨水 Ink	环保墨水 Eco-friendly ink	BTB-326		自購 Self-buying	

(製圖)DRAWN:

(審查)CHECKED:

(核准)
APPROVED:

(客户)Customer: