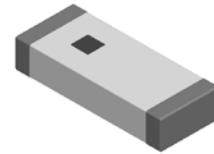


Multilayer Chip Antenna – SLDA Series

Operating Temp. : -40°C~+85°C



FEATURES

- Light weight, compact
- Wide bandwidth, low cost
- Built-in antenna with high gain

APPLICATIONS

- Bluetooth, Wireless LAN, Mobile TV
- Home RF system, etc

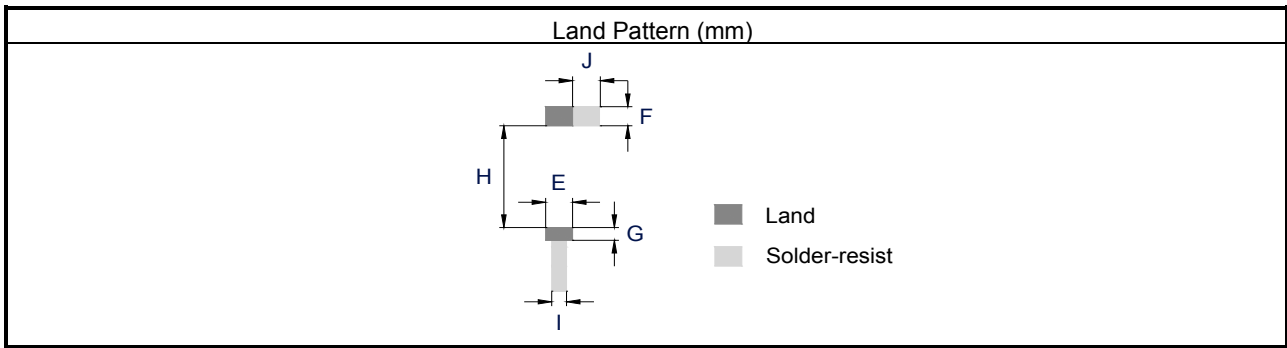
PRODUCT IDENTIFICATION

<u>SLDA</u> ①	<u>31</u> ②	<u>-2R800G</u> ③	<u>-S1</u> ④	<u>T</u> ⑤	<u>F</u> ⑥																																				
①	②	③	④	⑤	⑥																																				
<table border="1"> <thead> <tr> <th colspan="2">Type</th> </tr> </thead> <tbody> <tr> <td>SLDA</td> <td>Multilayer Chip Antenna</td> </tr> </tbody> </table>	Type		SLDA	Multilayer Chip Antenna	<table border="1"> <thead> <tr> <th colspan="2">(L×W) (mm)</th> </tr> <tr> <th colspan="2">External Dimensions (L×W) (mm)</th> </tr> </thead> <tbody> <tr> <td>21</td> <td>2.0×1.2</td> </tr> <tr> <td>31</td> <td>3.2×1.6</td> </tr> <tr> <td>52</td> <td>5.2×2.1</td> </tr> <tr> <td>62</td> <td>6.0×2.0</td> </tr> <tr> <td>72</td> <td>7.0×2.0</td> </tr> <tr> <td>81</td> <td>8.0×1.0</td> </tr> <tr> <td>92</td> <td>9.0×2.0</td> </tr> </tbody> </table>	(L×W) (mm)		External Dimensions (L×W) (mm)		21	2.0×1.2	31	3.2×1.6	52	5.2×2.1	62	6.0×2.0	72	7.0×2.0	81	8.0×1.0	92	9.0×2.0	<table border="1"> <thead> <tr> <th colspan="2">Center Frequency</th> </tr> <tr> <th>Example</th> <th>Nominal Value</th> </tr> </thead> <tbody> <tr> <td>2R800G</td> <td>2800.0MHz</td> </tr> <tr> <td>2R450G</td> <td>2450.0MHz</td> </tr> </tbody> </table>	Center Frequency		Example	Nominal Value	2R800G	2800.0MHz	2R450G	2450.0MHz	<table border="1"> <thead> <tr> <th>Series Code</th> </tr> </thead> <tbody> <tr> <td>S1, 01, etc.</td> </tr> </tbody> </table>	Series Code	S1, 01, etc.	<table border="1"> <thead> <tr> <th>Packing</th> </tr> </thead> <tbody> <tr> <td>T Tape & Reel</td> </tr> </tbody> </table>	Packing	T Tape & Reel	<table border="1"> <tbody> <tr> <td style="text-align: center;">Hazardous Substance Free Products</td> </tr> <tr> <td style="text-align: center;">F</td> </tr> </tbody> </table>	Hazardous Substance Free Products	F
Type																																									
SLDA	Multilayer Chip Antenna																																								
(L×W) (mm)																																									
External Dimensions (L×W) (mm)																																									
21	2.0×1.2																																								
31	3.2×1.6																																								
52	5.2×2.1																																								
62	6.0×2.0																																								
72	7.0×2.0																																								
81	8.0×1.0																																								
92	9.0×2.0																																								
Center Frequency																																									
Example	Nominal Value																																								
2R800G	2800.0MHz																																								
2R450G	2450.0MHz																																								
Series Code																																									
S1, 01, etc.																																									
Packing																																									
T Tape & Reel																																									
Hazardous Substance Free Products																																									
F																																									

SHAPE AND DIMENSIONS

Type:	Dimensions (mm)
Type: SLDA21-2R450G-S1TF	Land Pattern (mm)

SHAPE AND DIMENSIONS



SHAPE AND DIMENSIONS

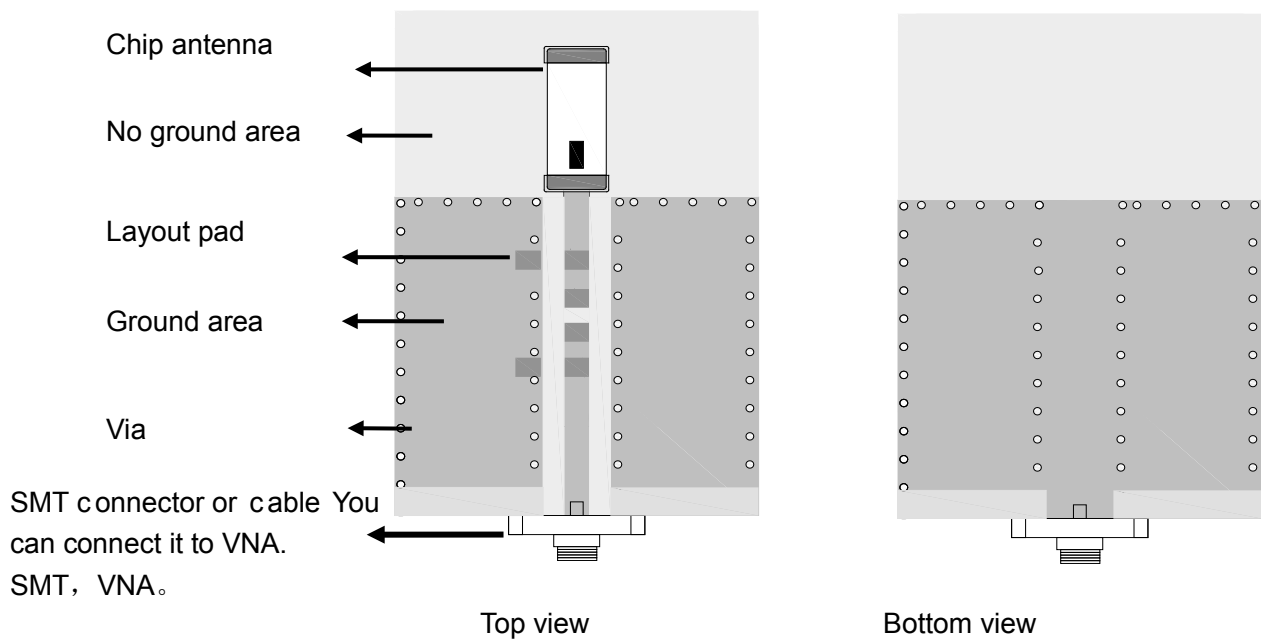
Series	A	B	C	D	E	F	G	H	I	J
SLDA21	2.0±0.2	1.25±0.2	0.85±0.2	0.5±0.2	1.0±0.2	1.0±0.2	1.5±0.2	-	-	-
SLDA31	3.2±0.2	1.6±0.2	1.2±0.2	0.5±0.2	1.6±0.2	0.8±0.2	0.8±0.2	2.2±0.2	1.4	1.6±0.2
SLDA52	5.2±0.2	2.1±0.2	1.0±0.2	0.5±0.2	2.3±0.2	1.5±0.2	1.0±0.2	4.0±0.2	1.4	2.3±0.2
SLDA62	6.0±0.2	2.0±0.2	1.0±0.2	0.5±0.2	2.2±0.2	1.5±0.2	1.0±0.2	5.0±0.2	1.4	2.2±0.2
SLDA72	7.0±0.2	2.0±0.2	1.0±0.2	0.5±0.2	2.2±0.2	1.5±0.2	1.0±0.2	6.0±0.2	1.4	2.2±0.2
SLDA81	8.0±0.2	1.0±0.2	1.0±0.2	0.5±0.2	1.5±0.2	1.5±0.2	1.0±0.2	7.0±0.2	1.4	1.5±0.2
SLDA92	9.0±0.2	2.0±0.2	1.0±0.2	0.5±0.2	2.2±0.2	1.5±0.2	1.0±0.2	8.0±0.2	1.4	2.2±0.2

TERINAL-CONFIGURATION

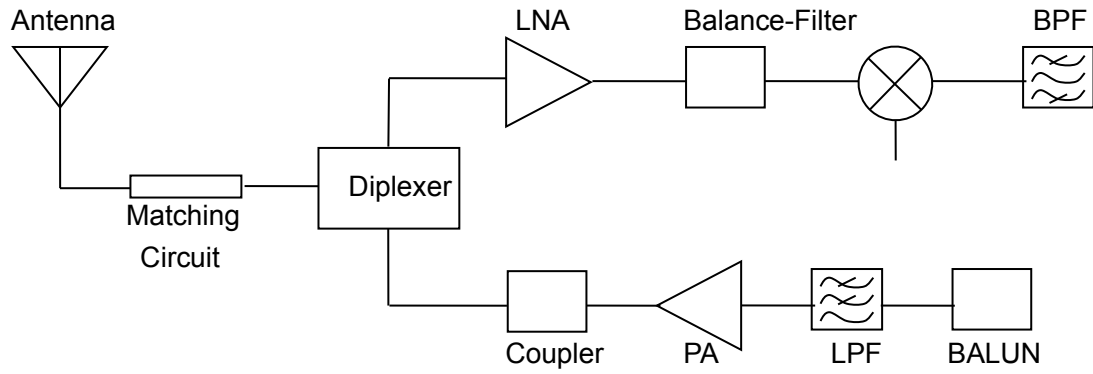


No.	Terminal Name	No.	Terminal Name
(1)	Feeding Point	(2)	NC

EVALUATION BOARD



APPLICATION GUIDE



SPECIFICATIONS

Part Number	Band Width	Peak Gain	Average Gain	VSWR	Impedance	Power Capacity
	MHz	V-XZ	V-XZ	In BW	Ω	W
SLDA31-2R800G-S1TF	≥ 100	0.5dBi Typ.	-1dBi Typ.	<2	50	3

RETURN LOSS

SLDA31-2R800G-S1TF

