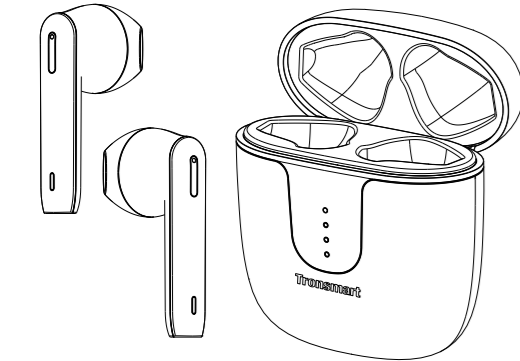


**Tronsmart**  
USER MANUAL



**Onyx Ace Pro**  
True Wireless Earphones

**English**

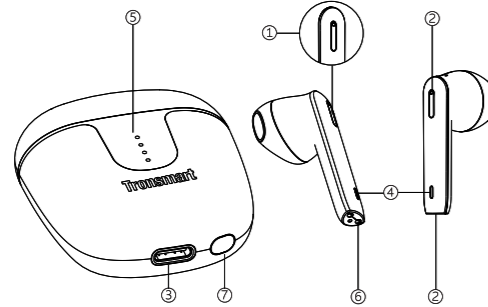
Thank you for purchasing the Tronsmart Onyx Ace Pro True Wireless Earphones. Please read the user manual before use and keep it handy for future reference. If you have trouble understanding or following the instructions in this manual, please contact our customer support team directly at [support@tronsmart.com](mailto:support@tronsmart.com).

**Package Content**

- 1 x Onyx Ace Pro True Wireless Earphones
- 1 x Type-C Charging Cable
- 1 x Warranty Card
- 1 x User Manual

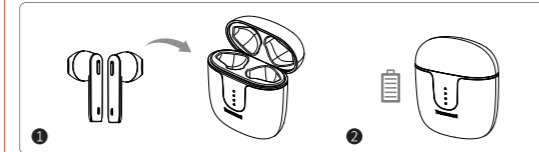
**Product Overview**

- ① Multifunction touch area
- ② Microphone
- ③ Type-C charging port
- ④ Earphones indicator light
- ⑤ Charging case indicator light
- ⑥ Charging contact
- ⑦ Reset Button



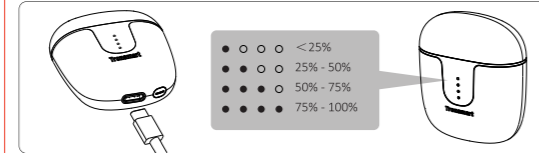
**First Use of Earphones**

Place the two earphones back in the charging case and then fully charge the case and earphones before first use. The recommended charging time is 2 hours.

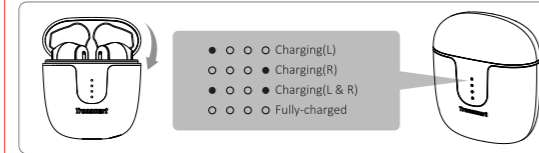


**Charging**

Use the comes along with Type-C cable to charge.

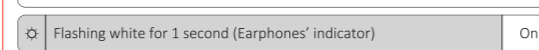


Put both earbuds into charging case to get them charged.

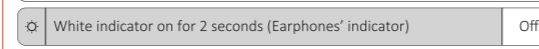


**Turn On / Off**

1. While charging case has remaining power, the earbuds will turn on automatically once taken out. To manually turn on, tap and hold the multifunction touch area on both earphones for 2 seconds.

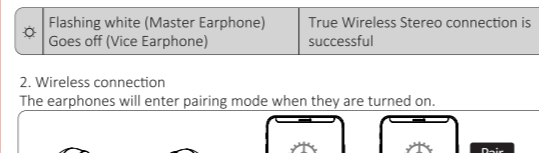


2. While charging case has remaining power, the earbuds will turn off automatically once put into. To manually turn off, tap and hold the multifunction touch area on either earphone for 5 seconds.

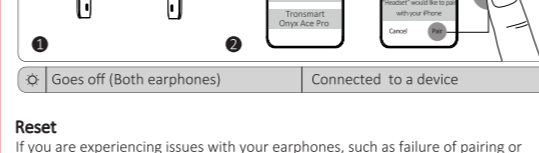


**Wireless Pairing**

1. Auto True Wireless Stereo Connection

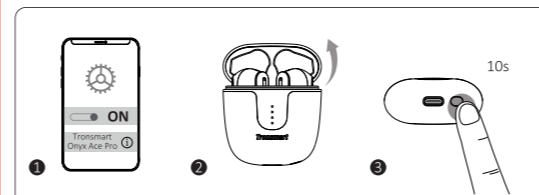


2. Wireless connection  
The earphones will enter pairing mode when they are turned on.



**Reset**

If you are experiencing issues with your earphones, such as failure of pairing or functionality issues, you can try to reset your earphones by pressing the reset button for 10s.



**Controls**

L/R	Turn on manually	Tap and hold for 2 seconds
L/R	Turn off manually	Tap and hold for 5 seconds

L/R	Play/Pause	Tap twice
R	Next track	Tap and hold for 2 seconds
L	Previous track	Tap and hold for 2 seconds
R	Volume +	Tap once
L	Volume -	Tap once
L/R	Answer/End a phone call	Tap twice
L/R	Reject a phone call	Tap and hold for 2 seconds
L	Activate voice assistant	Tap three times quickly
R	Enter Gaming Mode	Tap three times quickly

**Note:**

- The earphones will turn off automatically after 5 minutes if they have not paired with any device. When in low battery, they will turn off automatically as well.
- Under Mono mode, please note that the volume cannot be adjusted. Press the Left one for 2 seconds to skip to the next song; Triple tap on either earbud to enter gaming mode.
- Under music-playing mode, it is recommended that exit the gaming mode for a better auditory experience.

**Specifications**

Model	E2231
Chip	Qualcomm® QCC3040
Wireless Version	5.2
Wireless Profile	HFP/HSP/AVRCP/AZDP
Audio Codec	aptX adaptive, aptX, AAC, SBC
Transmission Distance	Up to 10 meters / 33 feet
Driver	13 mm

Frequency Range	20-20KHz
Playtime	Earphones: up to 6.5 Hours (60% Volume) With Charging Case: up to 27 Hours (60% Volume)
Battery	Earphone: 35 mAh Charging Case: 400 mAh
Charging time	Earphone: about 1.5 Hours Charging Case: about 2 Hours
Dimension	Earphone: 39 x 16.5 x 16.8 mm / 1.54 x 0.65 x 0.66 inches Charging Case: 48 x 23 x 57.5 mm / 1.89 x 0.9 x 2.26 inches
Weight	Earphone: about 4 g / 0.14 oz Charging Case: about 37 g / 1.31 oz

**Care and Maintenance**

- If this product is not used for a long period of time, it's recommended to recharge it at least once a month to extend its life and maintain the normal use performance.
- Keep the product in a dry location.
- Do not dispose this product in fire as batteries may explode or leak.
- To clean the product, use a lightly dampened cloth in water to clean the exterior in case it gets dirty.
- Do not disassemble this product. It contains no user serviceable parts.

**Warranty Information**

Your 'Tronsmart Onyx Ace Pro True Wireless Earphones', is warranted to the original owner for 1 year from the date of purchase against defects in material and workmanship under normal use and service. Tronsmart is not responsible for the accidental use of this product and its liability will not exceed the purchase price of the product. If you have any problems while using the product, please do not hesitate to contact our customer support team at [support@tronsmart.com](mailto:support@tronsmart.com).

**FCC Statement**

This device complies with Part 15 of the FCC Rules. Operation is subject to the following two conditions:  
(1) this device may not cause harmful interference, and (2) this device must accept any interference received, including interference that may cause undesired operation.

NOTE: This equipment has been tested and found to comply with the limits for a Class B digital device, pursuant to part 15 of the FCC Rules. These limits are designed to provide reasonable protection against harmful interference in a residential installation. This equipment generates uses and can radiate radio frequency energy and, if not installed and used in accordance with the instructions, may cause harmful interference to radio communications. However, there is no guarantee that interference will not occur in a particular installation. If this equipment does cause harmful interference to radio or television reception, which can be determined by turning the equipment off and on, the user is encouraged to try to correct the interference by one or more of the following measures:

- Reorient or relocate the receiving antenna.
- Increase the separation between the equipment and receiver.
- Connect the equipment into an outlet on a circuit different from that to which the receiver is connected.
- Consult the dealer or an experienced radio/TV technician for help.

Changes or modifications not expressly approved by the party responsible for compliance could void the user's authority to operate the equipment.

**RF warning statement:**

The device has been evaluated to meet general RF exposure requirement. The device can be used inportable exposure condition without restriction.

Qualcomm aptX adaptive, Qualcomm aptX and Qualcomm cVc are products of Qualcomm Technologies, Inc. and/or its subsidiaries. Qualcomm is a trademark of Qualcomm Incorporated, registered in the United States and other countries. aptX and cVc are trademarks of Qualcomm Technologies International, Ltd., registered in the United States and other countries.



**SHENZHEN GEEKBUY E-COMMERCE CO., LTD.**

Warehouse 101H, No. 49 Wuhe Avenue, Wuhe Community, Bantian Street, Longgang District, Shenzhen  
Email: [support@tronsmart.com](mailto:support@tronsmart.com)  
800-270-1082 (USA & Canada)      FCC ID: 2AV3Z-ONYXACEPRO  
+86-755-23603740 (Global)      [www.tronsmart.com](http://www.tronsmart.com)

