

Scouting Camera Instruction Manual

5466



Watch the set up video on our website at: www.covertscoutingcameras.com

What you will need to set this camera up:

-Internet Access to Choose Your Plan.

<https://secure.covert-wireless.com>

-At least 4 AA Batteries

-TF Card

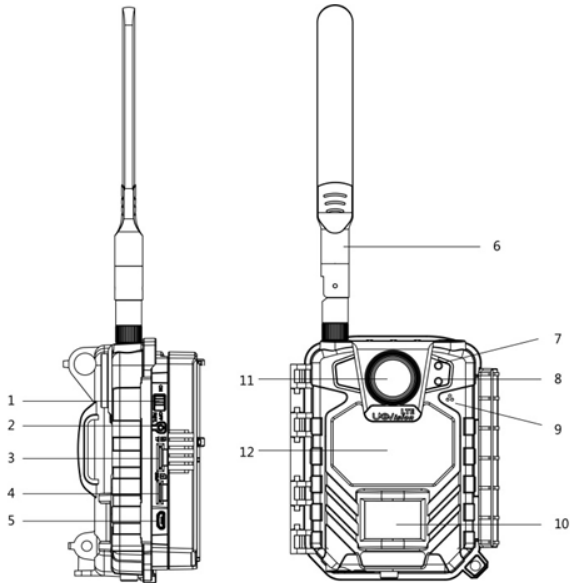
Camera overview

This camera is a LTE cloud hunting camera. The features:

Image Quality	3/5/8/12/16/20MP
Lens	F/NO=1.8 FOV (Field of View)=58°
PIR Detection Range (meter)	Up to 20meter
PIR angle	<u>54degree@4meter</u>
Video Quality	WVGA/720P/1080P with Audio
Trigger Time	0.6s
Trigger Interval	5s-60min
Time Lapse	3min-24hours
Work Time	Up to Four operation settings
Photo Burst	1-10

SD Overwrite	Support
Flash range	Up to 20 meter
Infrared LED's	40pcs 940nm LEDs
Camera colour	Camo
Network	LTE , real 4G network.
Frequency Bands	AT&T: FDD-LTE B2/B4/B12; UMTS/HSDPA/HSPA+ B2/B4/B5
Wireless function	Free cloud platform with remote control features;Free Web-portal and APP (Android & iOS);Send VGA pictures to cloud platform. Support retrieving high quality pictures or 5s WVGA video clips.
GPS	Support
Power	8*AA rechargeable batteries(Not included);Supports 6V external power

Other Interface	TF card(Max to 32GB), Nano-SIM,
Operation /Storage Temperature	Operation/Storage Tem. -20 – +60°C / -25 – +60°C
Operation Humidity	5% – 90%
Waterproofing Grade	IP68
Mounting	Belt/Cable Lock/Threaded/Adjustable angle bracket
Size	4.5”x2.2”x4.1”



1.Switch

2.Reset

3.TF slot

4.SIM slot

5.USB

6. Antenna

7."PIR&Power"Light

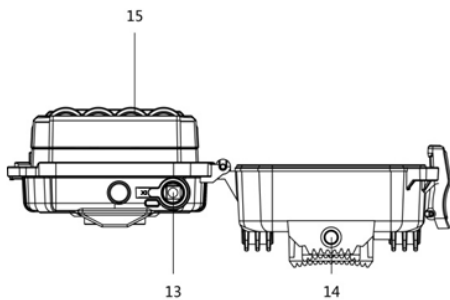
8."Status"Light

9.MIC

10.PIR

11.Lens

12. IR Flash LED



13.V Jack 14.Tripod stand 15. Eject button

Purchasing your Plan:

Follow these simple steps to activate or renew an **AT&T** plan:

1. Open your web browser to:
<https://secure.covert-wireless.com>
2. Select the type of plan you'd like to add
3. Follow the prompts to select your **rate plan**, enter your **personal/billing information** and complete your purchase.
4. Log back into your account.
5. Enter the ICCID number located on the SIM card included with your camera. Then enter the IMEI for your camera found on the inside white label of the



camera or on the outer packaging.

6. Click the green activate button and refresh your page.

7. Rename your camera in the nickname field provided. (OPTIONAL)

Activating Multiple Cameras:

Same Rate Plan- To activate multiple cameras on the same rate plan, simply enter the ICCID and IMEI number under said rate plan and click activate.

Note: You can activate as many cameras as you'd like on a rate plan. Rate plans are a per device charge.

Different Rate Plan- To activate cameras on a different rate plan, scroll to **Purchase Additional Subscription Plans**. Select the provider and the rate plan of your choice. This will add the rate plan option under **My Services and Equipment**.

Other Plan Information:

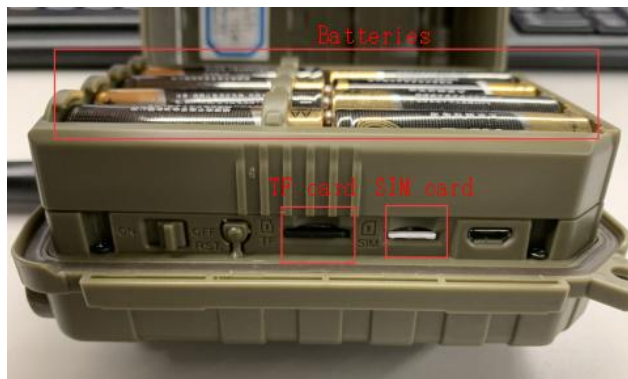
Auto Renew: Covert Wireless plans automatically renew, however there is no long-term contract. To opt out of your billing for certain months, simply hover over the “active” button and click. You will no longer be billed for services until you log back into your account and “click to activate.”



Quick start your cameras:

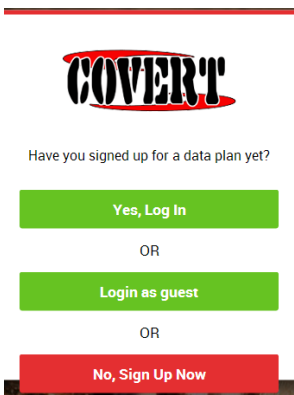
Prepare

Before you start, you need to prepare a TF card(up to 32G), a Nano SIM card and 8 AA batteries. Please insert them correctly.



Connecting your Camera to Cloud Server

Login a cloud account:



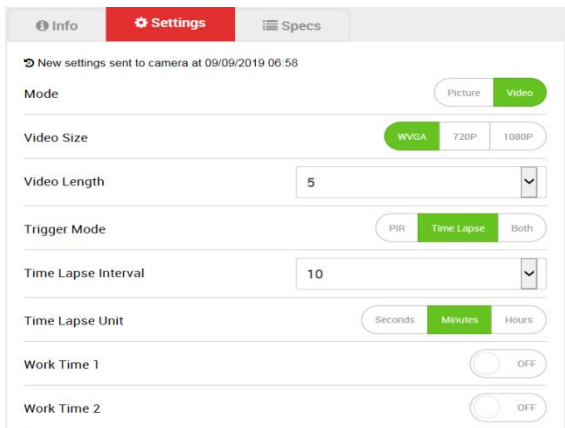
a. Open:<https://www.covert-wireless.com/>

b. b. If you already have an account just login. If not, register one with your email address, and fill out the necessary information.

Settings and Start

You can change the camera settings via APP. Click ‘Save’ to save and send the settings.

Slide the power switch to ‘ON’, the camera will receive settings and start to work.



The screenshot shows the 'Settings' screen of a camera application. At the top, there are three tabs: 'Info', 'Settings' (which is highlighted in red), and 'Specs'. Below the tabs, a notification reads: 'New settings sent to camera at 09/09/2019 06:58'. The settings are organized into several rows, each with a label on the left and a control on the right:

- Mode:** A toggle switch between 'Picture' and 'Video'. 'Video' is currently selected and highlighted in green.
- Video Size:** A toggle switch between 'WVGA', '720P', and '1080P'. 'WVGA' is currently selected and highlighted in green.
- Video Length:** A text input field containing the number '5' and a dropdown arrow on the right.
- Trigger Mode:** A toggle switch between 'PIR', 'Time Lapse', and 'Both'. 'Time Lapse' is currently selected and highlighted in green.
- Time Lapse Interval:** A text input field containing the number '10' and a dropdown arrow on the right.
- Time Lapse Unit:** A toggle switch between 'Seconds', 'Minutes', and 'Hours'. 'Minutes' is currently selected and highlighted in green.
- Work Time 1:** A toggle switch currently in the 'OFF' position.
- Work Time 2:** A toggle switch currently in the 'OFF' position.

Work Time 3



Work Time 4



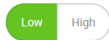
Overwrite



Use Timestamp



Flashpower



Remote Control

RealTime



✓ Save

The Light Information

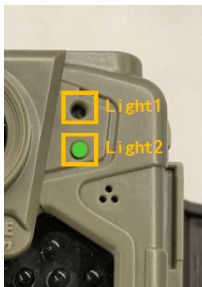


	Status	Slow flash	Steady	Fast flash
Light1	Red	PIR is working		Low power
Light2	Green	Searching for signal	Good signal	Sending pictures
	Yellow-gree		Weak signal	

	n		
	Red	No signal	

The camera begins to monitor When the two lights are off.

Manual shooting



You can manually shooting a picture and check if your APP has successfully received.

Press the “RST” button when the light2 is green or yellow-green. Camera will shoot a picture at once and send to cloud platform.

The cloud platform will receive the photo within 30 seconds if the camera has good signal.

Customizing the camera settings with APP

Camera Mode

Photo Mode: You can change Photo Size, set Flash power, and Photo Burst in Photo Mode.

Video Mode: You can further set the Video Size and Video Length.

Picture +Video Mode: If you select the combination of photo and video, the camera will automatically take a 8MP picture and a video of 10s length with 720p resolution.

Trigger Mode Settings

PIR Sensitivity: The camera will react on movements and temperature changes(Low/ Auto/ High).

PIR Interval: The PIR sensor takes a break in order to avoid unnecessary recordings. (0 seconds means the

PIR function is opened all the time.5-60 seconds in 5 seconds steps1-5 minutes in steps of 1 minute5-60 minutes in steps of 5 minutes)

Time Lapse: Camera release at defined intervals:5-60 seconds in 5 seconds steps1-5 minutes in steps of 1 minute5-60 minutes in steps of 5 minutes1-8 hours in steps of 1 hour12,16,20,24 hours in steps of 4 hours.

Time Frame Setting: Select "ON" or" OFF". Select a work time for the activity of the camera. You can select the weekdays and start-stop time.

If you wish the camera to be active permanently, select the time frame menu and switch it "OFF".

Note: 1. Work hour: 00:00-00:00 means 24 hours.2. Start: 20:00 Stop: 10:00 means 00:00-10:00 am and 20:00-24:00 of the chosen day.

System Settings

The following settings can be done. (Information about navigation please see chapter camera programming)

Set Clock

You can choose different date formats according to different countries to set date and time.

Password:

Select "On" and enter a 4 digit code to protect the camera from unauthorized use. Be sure to note the password and store the code at a safe place. It will not be possible to reset the code on your own. Select "Off", if you do not wish to use a password. The pre-set code is 0000.

Rename:

Enter a name that will be shown on each picture stamp.

Overwrite

Save the new data file to overwrite the old data file when TF card is full.

TF card formatting: Delete all data of your memory card. Be sure that you won't need the data any more.

Default: With a reset to factory settings, all your own settings will be lost.

Software Version: Indicate the software version in case of contact to our service agents.

AUXILIARY POWER: Your camera comes with a standard 4mm Auxiliary power jack. Covert offers an auxiliary cable to extend your battery life with an external 6, 9 or 12 volt battery. In order to use 12volt, you must use the Covert auxiliary battery cable. We also sell a Covert Solar Panel to directly hook up to your camera for optimal battery usage.

Mounting

To enhance the flash, we recommend positioning the camera in an area with a backdrop to reflect the maximum amount of light.

For instance, place the camera 20-30' from a field edge facing the woods. For the inside of timber, positioning the camera facing a thicket approximately 20-30' away.☒

Try to set the camera up so it's not facing directly into the sun either in the morning or the evening when game movement is at its peak.☒

Use the Covert Tree60 mounting system to mount the camera up higher pointing down on them for a better look. Works great when you don't have a straight tree to attach to.☒

Included in this manual is an extra "O" ring/seal for your Covert L4-AG. You don't need to do anything with this seal.☒

The FW version is reference to our engineers to ensure a speedy and efficient warranty repair should the need arise.

FCC Warning

This device complies with part 15 of the FCC rules. Operation is subject to the following two conditions: (1) this device may not cause harmful interference, and (2) this device must accept any interference received, including interference that may cause undesired operation.

Changes or modifications not expressly approved by the party responsible for compliance could void the user's authority to operate the equipment.

NOTE: This equipment has been tested and found to comply with the limits for a Class B digital device, pursuant to part 15 of the FCC Rules. These limits are designed to provide reasonable protection against harmful interference in a residential installation. This equipment generates uses and can radiate radio frequency energy and, if not installed and used in accordance with the instructions, may cause harmful interference to radio communications. However, there is no guarantee that interference will not occur in a particular installation. If this equipment does cause harmful interference to radio or television reception, which can be determined by turning the equipment off and on, the user is encouraged to try to correct the interference by one or more of the following measures:

- Reorient or relocate the receiving antenna.
- Increase the separation between the equipment and receiver.
- Connect the equipment into an outlet on a circuit different from that to which the receiver is connected.
- Consult the dealer or an experienced radio/TV technician for help.

Radiation Exposure Statement

This equipment complies with FCC radiation exposure limits set forth for an uncontrolled environment. This equipment should be installed and operated with minimum distance 20cm between the radiator and your body.