

Custos BVS

- Ball Valve Servo

Technology for Humanity

Model: BVSLWU

FCC ID: 2AUZXBVSLWU

User Manual

Thank you for choosing our products.

Custos provide whole solution to prevent water damage.

product information

- ✓ Utility/insurance driven vertical market
- ✓ LoRaWAN Class-C compliant
- ✓ Act as Actuator & sensor device
- ✓ Nationwide deployment capable
- ✓ Smart battery box “Optional accessory”
- ✓ Outdoor power adapter
- ✓ 10-year warranty
- ✓ IP66 waterproof rating

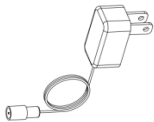
What's in the box



The Custos BVS snaps over the existing water main valve and will automatically stop the water supply when a leak is detected.

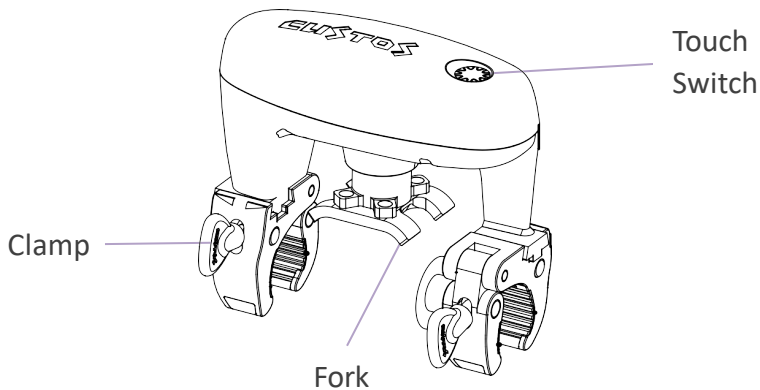


The Remote Sensor connects to either the Valve Controller or any Leak Detector to monitor hard to reach areas for leaks.



The Power Supply is a standard 12V power supply, and it is required to power up the Valve Controller.

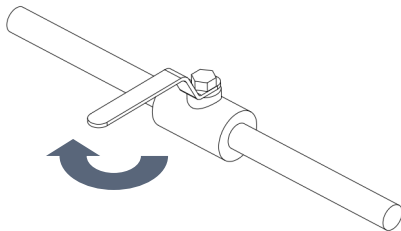
Understanding the Custos BVS



Custos BVS

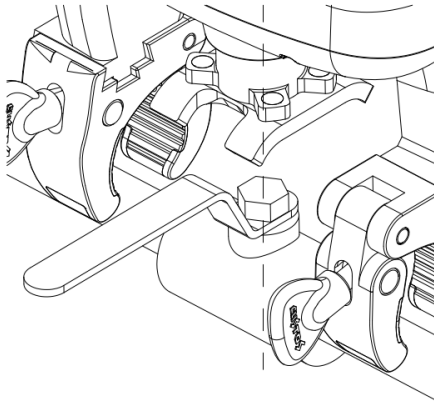
Set-up instructions

① Close your valve

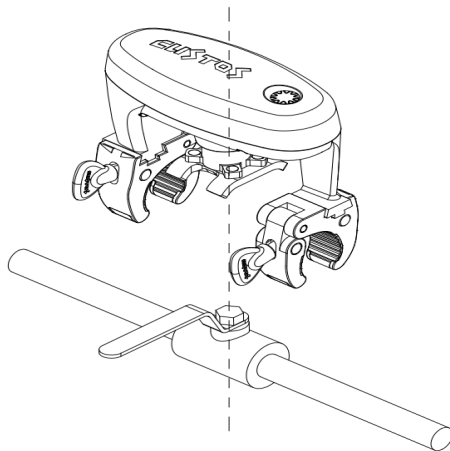


Valve should open/close easily by hand, without the use of any tools.
The valve handle should be perpendicular to the pipe, which means the valve is closed.

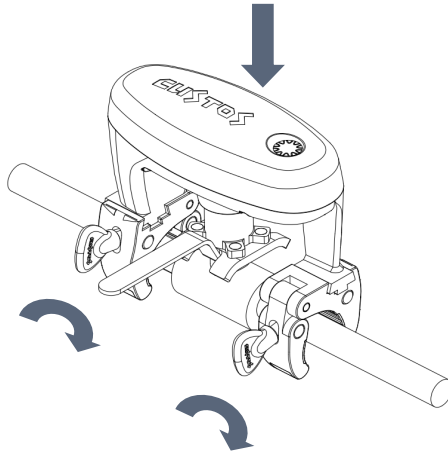
② Align the fork with the valve handle



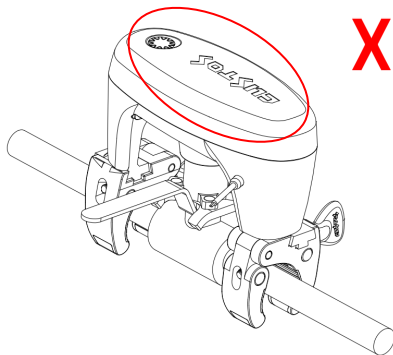
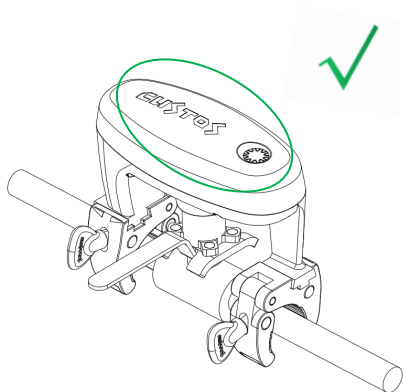
③ Push down the Custos BVS onto your valve



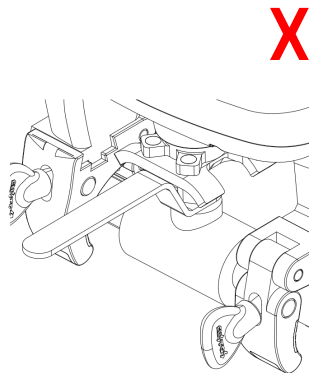
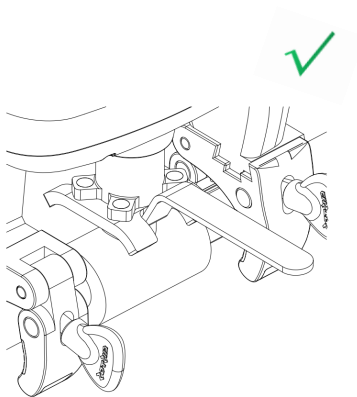
④ Tighten clamps while holding the Custos BVS down



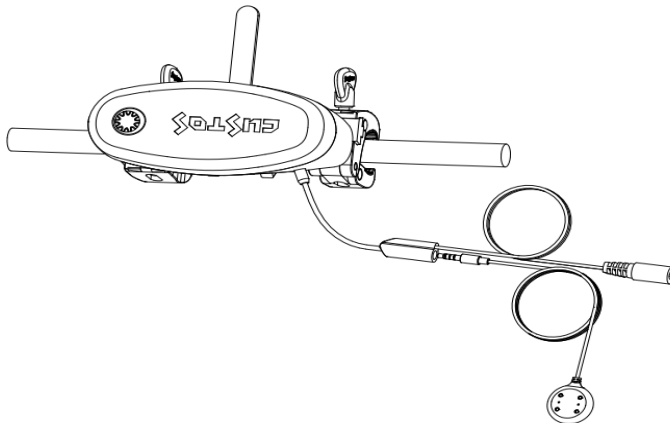
⑤ Check if the Custos BVS is facing the right direction



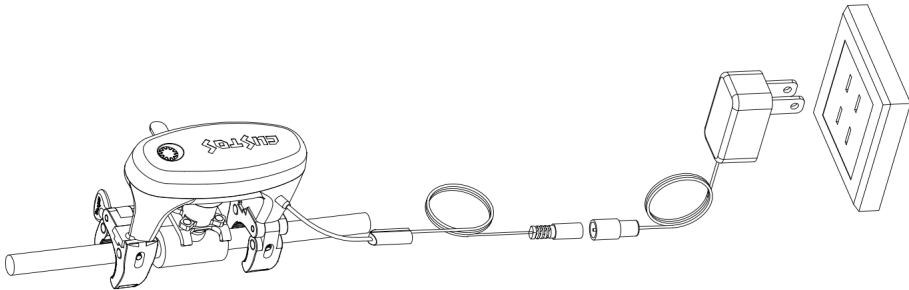
⑥ Check if the Fork is aligned with the valve handle correctly



⑦ Plug the Remote Sensor Probe into the Custos BVS



⑧ Connect the power supply to the Custos BVS and plug it into an outlet



Contact us if you have any questions

Website: <http://www.ubitech.hk/>

E-mail: info@ubitech.hk

FCC Warning

This device complies with part 15 of the FCC Rules. Operation is subject to the following two conditions:

(1) This device may not cause harmful interference, and (2) this device must accept any interference received, including interference that may cause undesired operation.

Any Changes or modifications not expressly approved by the party responsible for compliance could void the user's authority to operate the equipment.

Note: This equipment has been tested and found to comply with the limits for a Class B digital device, pursuant to part 15 of the FCC Rules. These limits are designed to provide reasonable protection against harmful interference in a residential installation. This equipment generates uses and can radiate radio frequency energy and, if not installed and used in accordance with the instructions, may cause harmful interference to radio communications. However, there is no guarantee that interference will not occur in a particular installation. If this equipment does cause harmful interference to radio or television reception, which can be determined by turning the equipment off and on, the user is encouraged to try to correct the interference by one or more of the following measures:

- Reorient or relocate the receiving antenna.
- Increase the separation between the equipment and receiver.
- Connect the equipment into an outlet on a circuit different from that to which the receiver is connected.
- Consult the dealer or an experienced radio/TV technician for help.

*RF warning for Mobile device:

This equipment complies with FCC radiation exposure limits set forth for an uncontrolled environment. This equipment should be installed and operated with minimum distance 20cm between the radiator & your body.