



Attachment A
- Photo documentation of the EuT -

Type / Model Name : Wusu Sensit 87E

Product Description : Transmitter for a TPMS

Applicant : WEGMANN Automotive GmbH

Address : Rudolf-Diesel-Str. 6

97209 VEITSHOECHHEIM, GERMANY

Manufacturer : LDL Technology

Address : 3 Rue Giotto

31520 RAMONVILLE-SAINT-AGNE, FRANCE

Test Report No. : **80098855-00 Rev_0**

19. October 2021

Date of issue

Contents

1	<u>EQUIPMENT UNDER TEST</u>	<u>3</u>
1.1	Information provided by the Client	3
1.2	Sampling	3
2	<u>Photo documentation of the EUT</u>	<u>4</u>
2.1	External views – Version 030198:	4
2.2	External views – Version 030199:	8
2.3	Internal views – Version 030198 / Version 030199:	12

1 EQUIPMENT UNDER TEST

1.1 Information provided by the Client

Please note, we do not take any responsibility for information provided by the client or his representative which may have an influence on the validity of the test results.

1.2 Sampling

The customer is responsible for the choice of sample. Sample configuration, start-up and operation is carried out by the customer or according his/her instructions.

2 Photo documentation of the EUT

2.1 External views – Version 030198:

Scale 1 cm per square

Top view



Bottom view



Front view



Left view

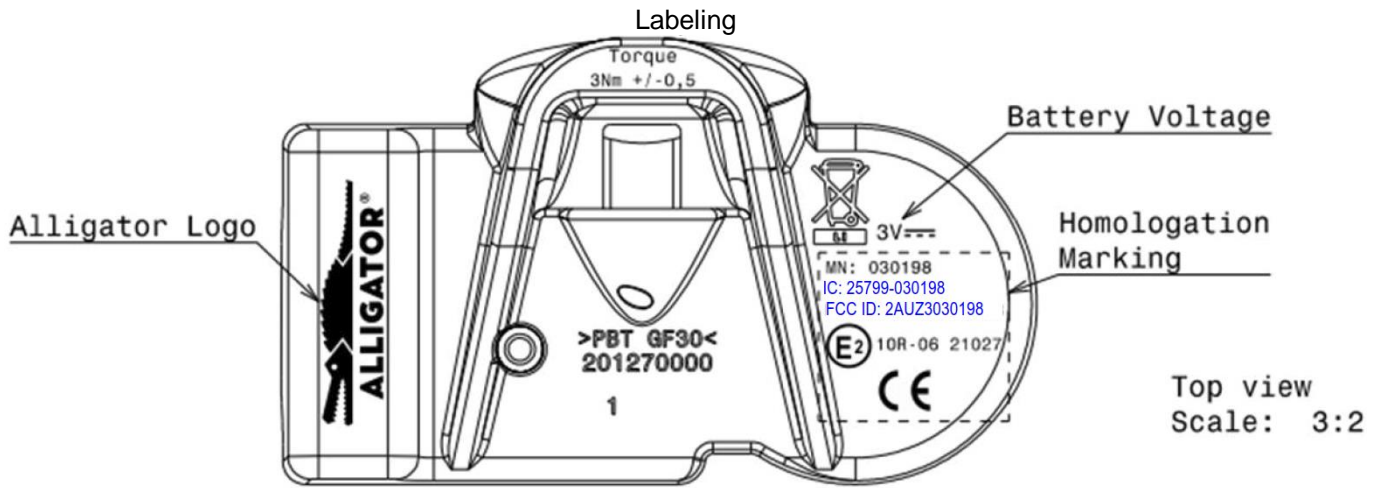


Rear view



Right view





The test report merely corresponds to the test sample. It is not permitted to copy extracts of these test results without the written permission of the test laboratory.

2.2 External views – Version 030199:

Scale 1 cm per square

Top view



Bottom view



Front view



Left view



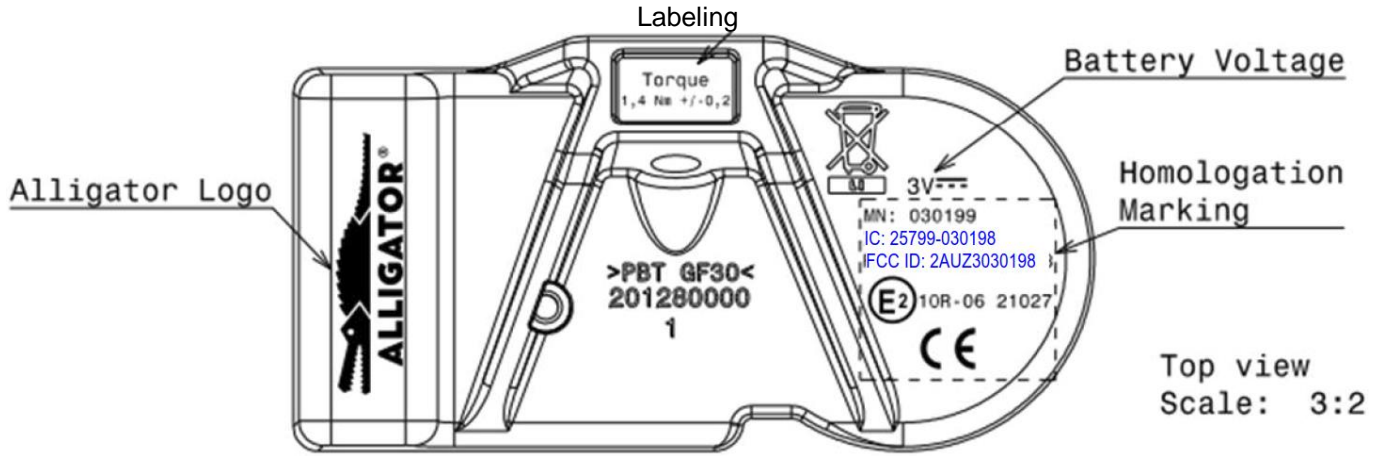
Rear view



Right view



The test report merely corresponds to the test sample. It is not permitted to copy extracts of these test results without the written permission of the test laboratory.



The test report merely corresponds to the test sample. It is not permitted to copy extracts of these test results without the written permission of the test laboratory.