

# FCC TEST REPORT

For

**Mobile Phone**

**Model Number: RMX2195**

**FCC ID: 2AUYFRMX2195**

**Report Number : WT208002437**

Test Laboratory : Shenzhen Academy of Metrology and Quality  
Inspection  
Site Location : NETC Building, No.4 Tongfa Rd., Xili, Nanshan,  
Shenzhen, China  
Tel : 0086-755-86928965  
Fax : 0086-755-86009898-31396  
Web : [www.smq.com.cn](http://www.smq.com.cn)  
E-mail : [emcrf@smq.com.cn](mailto:emcrf@smq.com.cn)

## Test report declaration

Applicant : Realme Chongqing Mobile Telecommunications Corp., Ltd.  
Address : No.178 Yulong Avenue, Yufengshan, Yubei District,  
Chongqing,China.  
Manufacturer : Realme Chongqing Mobile Telecommunications Corp., Ltd.  
Address : No.178 Yulong Avenue, Yufengshan, Yubei District,  
Chongqing,China.  
EUT : Mobile Phone  
Description :  
Model No. : RMX2195  
Trade mark : realme  
FCC ID : 2AUYFRMX2195

Test Standards:

**FCC PART 22H , 24E , 27 & 90S (2019)**

The EUT described above is tested by Shenzhen Academy of Metrology and Quality Inspection EMC Laboratory to determine the maximum emissions from the EUT. Shenzhen Academy of Metrology and Quality Inspection EMC Laboratory is assumed full responsibility for the accuracy of the test results. The test data, data evaluation, test procedures, and equipment configurations shown in this report were made in accordance with the procedures given in ANSI C63.26 (2015) & KDB971168 and the energy emitted by the sample EUT tested as described in this report is in compliance with FCC Rules Part 22H, 24E, 27 and 90S.

The test report is valid for above tested sample only and shall not be reproduced in part without written approval of the laboratory.

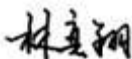
Project  
Engineer:



(Zeng Wei 曾伟)

Date: Nov.05, 2020

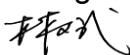
Checked by:



(Lin Yixiang 林奕翔)

Date: Nov.05, 2020

Approved by:



(Lin Bin 林斌)

Date: Nov.05, 2020

## TABLE OF CONTENTS

<b>TEST REPORT DECLARATION .....</b>	<b>2</b>
<b>1. TEST RESULTS SUMMARY .....</b>	<b>4</b>
<b>2. GENERAL INFORMATION .....</b>	<b>5</b>
2.1. Report information .....	5
2.2. Laboratory Accreditation and Relationship to Customer .....	5
2.3. Measurement Uncertainty .....	6
<b>3. PRODUCT DESCRIPTION .....</b>	<b>7</b>
3.1. EUT Description .....	7
3.2. Related Submittal(s) / Grant (s) .....	8
3.3. Block Diagram of EUT Configuration .....	8
3.4. Operating Condition of EUT .....	9
3.5. Support Equipment List .....	62
3.6. Test Conditions .....	62
3.7. Special Accessories .....	62
3.8. Equipment Modifications .....	62
<b>4. TEST EQUIPMENT USED .....</b>	<b>63</b>
<b>5. TEST RESULTS .....</b>	<b>64</b>
5.1. RF Power Output .....	64
5.2. Peak to Average Ratio .....	110
5.3. Occupied Bandwidth/Emission Bandwidth .....	117
5.4. Spurious Emission at Antenna Terminal .....	172
5.5. Spurious Emissions Radiated .....	342
5.6. Frequency Stability .....	358

## 1. TEST RESULTS SUMMARY

Table 1 Test Results Summary

FCC Measurement Specification	FCC Limits Part(s)	Description	Result
2.1046	22.913 24.232 27.50(b) 27.50(c) 27.50(d) 27.50(h) 90.205 90.635	Effective Radiated Power of Transmitter	PASS
2.1046	22.913 24.232 27.50(b) 27.50(c) 27.50(d) 27.50(h)	Peak to Average Ratio	PASS
2.1049	22.917(b) 24.238(b) 27.53 90.209	Occupied Bandwidth	PASS
2.1051	22.917 24.238 27.53 90.691	Spurious Emission at Antenna Terminal	PASS
2.1053	22.917 24.238 27.53 90.691	Radiated Spurious Emissions	PASS
2.1055	22.355 24.235 27.54 90.213	Frequency Stability	PASS

Remark: "N/A" means "Not applicable."

The tests documented in this report were performed in accordance with ANSI C63.26 (2015), FCC CFR 47 Part 2, Part 22H, 24E, 27 & 90S.

## **2. GENERAL INFORMATION**

### **2.1. Report information**

This report is not a certificate of quality; it only applies to the sample of the specific product/equipment given at the time of its testing. The results are not used to indicate or imply that they are application to the similar items. In addition, such results must not be used to indicate or imply that SMQ approves recommends or endorses the manufacture, supplier or use of such product/equipment, or that SMQ in any way guarantees the later performance of the product/equipment.

The samples mentioned in this report is/are supplied by Applicant, SMQ therefore assumes no responsibility for the accuracy of information on the brand name, model number, origin of manufacture or any information supplied.

Additional copies of the report are available to the Applicant at an additional fee. No third part can obtain a copy of this report through SMQ, unless the applicant has authorized SMQ in writing to do so.

The lab will not be liable for any loss or damage resulting from false, inaccurate, inappropriate or incomplete product information provided by the applicant/manufacture.

### **2.2. Laboratory Accreditation and Relationship to Customer**

The testing report were performed by the Shenzhen Academy of Metrology and quality Inspection EMC Laboratory (Guangdong EMC compliance testing center), in their facilities located at NETC Building, No.4 Tongfa Rd., Xili, Nanshan, Shenzhen, China.

At the time of testing, Laboratory is accredited by the following organizations:

China National Accreditation Service for Conformity Assessment (CNAS) accredits the Laboratory for conformance to FCC standards, EMC international standards and EN standards. The Registration Number is CNAS L0579.

The Laboratory is Accredited Testing Laboratory of FCC with Designation number CN1165 and Site registration number 582918.

The Laboratory is registered to perform emission tests with Innovation, Science and Economic Development (ISED), and the registration number is 11177A.

The Laboratory is registered to perform emission tests with VCCI, and the registration number are C-20048, G20076, R-20077, R-20078, and T-20047.

The Laboratory is Accredited Testing Laboratory of American Association for Laboratory Accreditation (A2LA) and certificate number is 3292.01.

### 2.3. Measurement Uncertainty

For a 95% confidence level ( $k = 2$ ), the measurement expanded uncertainties for defined systems, in accordance with the recommendations of ISO 17025 as following:

Radiated Emission

30MHz~1000MHz 4.5dB

1GHz~26.5GHz 4.6dB

26dB & Occupied Bandwidth:  $\pm 0.39\%$

Frequency Stability:  $\pm 0.42\%$

Peak to Average Ratio: 0.45 dB

Conducted power: 0.3 dB

Temperature:  $\pm 0.698$

Supply voltages:  $\pm 0.15\%$

### 3. PRODUCT DESCRIPTION

NOTE: The extreme test conditions for temperature and antenna gain were declared by the manufacturer.

#### 3.1. EUT Description

Table 2 Specification of the Equipment under Test

Product Type:	Mobile Phone
Hardware Revision :	11
Software Revision :	Color OS 7.2
FCC ID:	2AUYFRMX2195
Frequency:	GSM850: TX 824MHz~849MHz   RX 869MHz~894MHz PCS1900: TX 1850MHz~1910MHz RX 1930MHz~1990MHz WCDMA 850: TX 824MHz~849MHz   RX 869MHz~894MHz WCDMA 1700: TX: 1710MHz~1755MHz RX 2110MHz~2155MHz WCDMA 1900: TX 1850MHz~1910MHz RX 1930MHz~1990MHz LTE Band 2: TX 1850MHz~1910MHz RX 1930MHz~1990MHz LTE Band 4: TX: 1710MHz~1755MHz RX 2110MHz~2155MHz LTE Band 5: TX 824MHz~849MHz   RX 869MHz~894MHz LTE Band 7: TX 2500MHz~2570MHz RX 2620MHz~2690MHz LTE Band 12: TX 699 ~ 716MHz RX 729 ~ 746MHz LTE Band 17: TX 704~716MHz RX 734~ 746MHz LTE Band 26: TX 814 ~ 849 MHz RX 859 ~ 894MHz LTE Band 38: TX 2570MHz~2620MHz   RX 2570MHz~2620MHz LTE Band 41: TX 2535MHz~2655MHz   RX: 2535MHz~2655MHz LTE Band 66: TX: 1710MHz~1780MHz   RX 2110MHz~2200MHz
Type(s) of Modulation:	GSM:GMSK, 8PSK WCDMA:QPSK LTE:QPSK, 16QAM

Antenna Type:	PIFA antenna
Antenna Gain:	699MHz~716MHz: 0.5 dBi 777MHz~787MHz: 0.5 dBi 814MHz~849MHz: 0.5 dBi 1710MHz~1780MHz: 1.1 dBi 1850MHz~1910MHz: 1.1 dBi 2500MHz~2655MHz: 1.1 dBi
Operating voltage:	DC: 3.45V (Low)/3.87V (Nominal)/ 4.45V (Max)

Table 3 Identification of the Equipment Under Test (EUT)

EUT	Serial Number/IMEI	HW Version	SW Version	Notes
1	862732050023519	11	Color OS 7.2	Conducted testing sample.
2	862732050023915	11	Color OS 7.2	Radiated testing sample.

Table 4 Identification of Accessory equipment

AE #	Type	Manufacturer	Model	Serial Number
--	--	--	--	--

Remark:

### 3.2. Related Submittal(s) / Grant (s)

This submittal(s) (test report) is intended for FCC ID: 2AUYFRMX2195 filing to comply with FCC PART 22H, 24E, 27 AND 90S.

### 3.3. Block Diagram of EUT Configuration

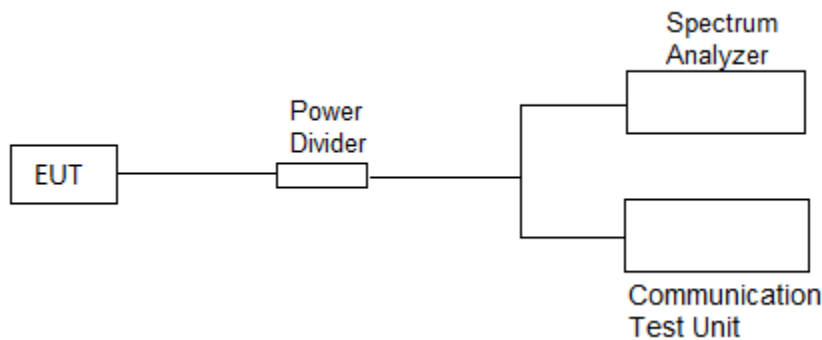


Figure 1 EUT setup of test mode 1, 2, 3, 4, 5



### 3.4. Operating Condition of EUT

During all testing, EUT is in link mode with base station emulator at maximum power level. The spurious emission measurements were carried out in semi-anechoic chamber with 3-meter test range, and EUT is rotated on three test planes to find out the worst emission (X plane).

- TM1:** GSM Mode with GMSK Modulation
- TM2:** EDGE Mode with 8PSK Modulation
- TM3:** WCDMA Mode with QPSK Modulation
- TM4:** LTE Mode with QPSK Modulation
- TM5:** LTE Mode with 16QAM Modulation

The maximum power levels are GSM mode for GMSK link, Edge mode for 8PSK link, WCDMA mode for QPSK link, LTE Mode for QPSK link ,LTE mode for 16QAM link, only these modes were used for all tests.  
The conducted power tables are as follows:

Band: GSM850	Average Power [dBm]		
Channel	128	190	251
Frequency (MHz)	824.2	836.6	848.8
GSM (GMSK, 1 Tx slot)	33.27	33.24	32.72
GPRS (GMSK, 1 Tx slot)	33.15	32.93	32.32
GPRS (GMSK, 2 Tx slots)	30.73	30.66	30.47
GPRS (GMSK, 3 Tx slots)	28.91	28.92	28.85
GPRS (GMSK, 4 Tx slots)	27.72	27.78	27.66
EDGE (8PSK, 1 Tx slot)	26.25	26.01	25.94
EDGE (8PSK, 2 Tx slot)	24.90	24.84	24.69
EDGE (8PSK, 3 Tx slot)	22.62	22.56	22.49
EDGE (8PSK, 4 Tx slot)	21.49	21.49	21.19

Band: PCS1900	Average Power [dBm]		
Channel	512	661	810
Frequency (MHz)	1850.2	1880	1909.8
GSM (GMSK, 1 Tx slot)	29.14	29.49	29.88
GPRS (GMSK, 1 Tx slot)	29.51	29.29	29.69
GPRS (GMSK, 2 Tx slots)	26.88	26.77	26.88
GPRS (GMSK, 3 Tx slots)	25.44	25.61	25.74
GPRS (GMSK, 4 Tx slots)	24.40	24.44	24.63

<b>EDGE (8PSK, 1 Tx slot)</b>	<b>25.20</b>	<b>25.04</b>	<b>25.29</b>
EDGE (8PSK, 2 Tx slot)	24.06	24.02	24.34
EDGE (8PSK, 3 Tx slot)	21.87	21.83	22.12
EDGE (8PSK, 4 Tx slot)	20.48	20.52	20.86

<b>Band: WCDMA Band V</b>	<b>Average Power [dBm]</b>		
<b>Channel</b>	<b>4,132</b>	<b>4,182</b>	<b>4,233</b>
<b>Frequency (MHz)</b>	<b>826.4</b>	<b>836.4</b>	<b>846.6</b>
<b>RMC 12.2K</b>	<b>23.24</b>	<b>23.30</b>	<b>23.19</b>
HSDPA Subtest-1	22.18	22.23	22.11
HSDPA Subtest-2	21.29	21.42	21.35
HSDPA Subtest-3	21.24	21.36	21.23
HSDPA Subtest-4	21.20	21.35	21.23
HSUPA Subtest-1	21.85	21.85	21.75
HSUPA Subtest-2	19.91	19.93	19.82
HSUPA Subtest-3	20.83	20.82	20.78
HSUPA Subtest-4	19.87	19.93	19.81
HSUPA Subtest-5	21.87	21.92	21.81

<b>Band: WCDMA Band IV</b>	<b>Average Power [dBm]</b>		
<b>Channel</b>	<b>1312</b>	<b>1413</b>	<b>1513</b>
<b>Frequency (MHz)</b>	<b>1712.4</b>	<b>1732.6</b>	<b>1752.6</b>
<b>RMC 12.2K</b>	<b>23.04</b>	<b>23.08</b>	<b>22.93</b>
HSDPA Subtest-1	22.05	21.99	21.97
HSDPA Subtest-2	21.40	21.39	21.23
HSDPA Subtest-3	21.43	21.40	21.13
HSDPA Subtest-4	21.34	21.41	21.11
HSUPA Subtest-1	21.75	21.78	21.66
HSUPA Subtest-2	19.89	19.93	19.78
HSUPA Subtest-3	20.75	20.82	20.66
HSUPA Subtest-4	19.82	19.89	19.73
HSUPA Subtest-5	21.79	21.82	21.68

Band: WCDMA Band II	Average Power [dBm]		
Channel	9262	9400	9538
Frequency (MHz)	1852.4	1880.0	1907.6
RMC 12.2K	23.05	23.09	23.21
HSDPA Subtest-1	22.03	22.05	22.14
HSDPA Subtest-2	21.30	21.37	21.44
HSDPA Subtest-3	21.15	21.31	21.40
HSDPA Subtest-4	21.16	21.18	21.38
HSUPA Subtest-1	21.80	21.80	21.92
HSUPA Subtest-2	19.84	19.84	19.91
HSUPA Subtest-3	20.80	20.82	20.92
HSUPA Subtest-4	19.83	19.85	19.96
HSUPA Subtest-5	21.79	21.81	21.91

LTE Mode with QPSK Modulation(TM4) & LTE Mode with 16QAM Modulation(TM5)

Band	Bandwidth	Modulation	Channel	RB Configuration	Result(dBm)
Band2	1.4MHz	QPSK	18607	1RB#3	22.48
Band2	1.4MHz	QPSK	18607	1RB#5	22.44
Band2	1.4MHz	QPSK	18607	1RB#0	22.46
Band2	1.4MHz	QPSK	18607	3RB#0	22.43
Band2	1.4MHz	QPSK	18607	3RB#1	22.40
Band2	1.4MHz	QPSK	18607	3RB#3	22.35
Band2	1.4MHz	QPSK	18607	6RB#0	21.38
Band2	1.4MHz	QPSK	18900	1RB#5	22.41
Band2	1.4MHz	QPSK	18900	1RB#3	22.54
Band2	1.4MHz	QPSK	18900	1RB#0	22.48
Band2	1.4MHz	QPSK	18900	3RB#0	22.46
Band2	1.4MHz	QPSK	18900	3RB#1	22.53
Band2	1.4MHz	QPSK	18900	3RB#3	22.42
Band2	1.4MHz	QPSK	18900	6RB#0	21.39
Band2	1.4MHz	QPSK	19193	1RB#0	22.64
Band2	1.4MHz	QPSK	19193	1RB#3	22.68
Band2	1.4MHz	QPSK	19193	1RB#5	22.58
Band2	1.4MHz	QPSK	19193	3RB#1	22.59
Band2	1.4MHz	QPSK	19193	3RB#3	22.53

Band2	1.4MHz	QPSK	19193	3RB#0	22.58
Band2	1.4MHz	QPSK	19193	6RB#0	21.57
Band2	1.4MHz	16QAM	18607	1RB#3	21.35
Band2	1.4MHz	16QAM	18607	1RB#5	21.24
Band2	1.4MHz	16QAM	18607	1RB#0	21.33
Band2	1.4MHz	16QAM	18607	3RB#0	21.21
Band2	1.4MHz	16QAM	18607	3RB#1	21.22
Band2	1.4MHz	16QAM	18607	3RB#3	21.19
Band2	1.4MHz	16QAM	18607	6RB#0	20.33
Band2	1.4MHz	16QAM	18900	1RB#5	21.19
Band2	1.4MHz	16QAM	18900	1RB#3	21.28
Band2	1.4MHz	16QAM	18900	1RB#0	21.27
Band2	1.4MHz	16QAM	18900	3RB#0	21.24
Band2	1.4MHz	16QAM	18900	3RB#1	21.22
Band2	1.4MHz	16QAM	18900	3RB#3	21.21
Band2	1.4MHz	16QAM	18900	6RB#0	20.40
Band2	1.4MHz	16QAM	19193	1RB#3	21.60
Band2	1.4MHz	16QAM	19193	1RB#5	21.48
Band2	1.4MHz	16QAM	19193	1RB#0	21.53
Band2	1.4MHz	16QAM	19193	3RB#0	21.41
Band2	1.4MHz	16QAM	19193	3RB#3	21.40
Band2	1.4MHz	16QAM	19193	3RB#1	21.45
Band2	1.4MHz	16QAM	19193	6RB#0	20.55
Band2	3MHz	QPSK	18615	1RB#14	22.44
Band2	3MHz	QPSK	18615	1RB#0	22.45
Band2	3MHz	QPSK	18615	1RB#7	22.45
Band2	3MHz	QPSK	18615	8RB#4	21.44
Band2	3MHz	QPSK	18615	8RB#7	21.34
Band2	3MHz	QPSK	18615	8RB#0	21.34
Band2	3MHz	QPSK	18615	15RB#0	21.34
Band2	3MHz	QPSK	18900	1RB#7	22.48
Band2	3MHz	QPSK	18900	1RB#14	22.51
Band2	3MHz	QPSK	18900	1RB#0	22.42
Band2	3MHz	QPSK	18900	8RB#0	21.49
Band2	3MHz	QPSK	18900	8RB#7	21.40
Band2	3MHz	QPSK	18900	8RB#4	21.46

Band2	3MHz	QPSK	18900	15RB#0	21.40
Band2	3MHz	QPSK	19185	1RB#0	22.58
Band2	3MHz	QPSK	19185	1RB#14	22.52
Band2	3MHz	QPSK	19185	1RB#7	22.60
Band2	3MHz	QPSK	19185	8RB#7	21.53
Band2	3MHz	QPSK	19185	8RB#4	21.57
Band2	3MHz	QPSK	19185	8RB#0	21.58
Band2	3MHz	QPSK	19185	15RB#0	21.63
Band2	3MHz	16QAM	18615	1RB#0	21.29
Band2	3MHz	16QAM	18615	1RB#14	21.17
Band2	3MHz	16QAM	18615	1RB#7	21.37
Band2	3MHz	16QAM	18615	8RB#4	20.37
Band2	3MHz	16QAM	18615	8RB#0	20.41
Band2	3MHz	16QAM	18615	8RB#7	20.36
Band2	3MHz	16QAM	18615	15RB#0	20.32
Band2	3MHz	16QAM	18900	1RB#7	21.24
Band2	3MHz	16QAM	18900	1RB#0	21.20
Band2	3MHz	16QAM	18900	1RB#14	21.24
Band2	3MHz	16QAM	18900	8RB#4	20.45
Band2	3MHz	16QAM	18900	8RB#7	20.39
Band2	3MHz	16QAM	18900	8RB#0	20.46
Band2	3MHz	16QAM	18900	15RB#0	20.31
Band2	3MHz	16QAM	19185	1RB#7	21.62
Band2	3MHz	16QAM	19185	1RB#14	21.55
Band2	3MHz	16QAM	19185	1RB#0	21.57
Band2	3MHz	16QAM	19185	8RB#4	20.56
Band2	3MHz	16QAM	19185	8RB#0	20.65
Band2	3MHz	16QAM	19185	8RB#7	20.71
Band2	3MHz	16QAM	19185	15RB#0	20.72
Band2	5MHz	QPSK	18625	1RB#0	22.55
Band2	5MHz	QPSK	18625	1RB#12	22.50
Band2	5MHz	QPSK	18625	1RB#24	22.47
Band2	5MHz	QPSK	18625	12RB#0	21.48
Band2	5MHz	QPSK	18625	12RB#6	21.50
Band2	5MHz	QPSK	18625	12RB#13	21.42
Band2	5MHz	QPSK	18625	25RB#0	21.42

Band2	5MHz	QPSK	18900	1RB#24	22.58
Band2	5MHz	QPSK	18900	1RB#0	22.54
Band2	5MHz	QPSK	18900	1RB#12	22.61
Band2	5MHz	QPSK	18900	12RB#6	21.48
Band2	5MHz	QPSK	18900	12RB#13	21.45
Band2	5MHz	QPSK	18900	12RB#0	21.45
Band2	5MHz	QPSK	18900	25RB#0	21.50
Band2	5MHz	QPSK	19175	1RB#12	22.73
Band2	5MHz	QPSK	19175	1RB#0	22.79
Band2	5MHz	QPSK	19175	1RB#24	22.70
Band2	5MHz	QPSK	19175	12RB#13	21.69
Band2	5MHz	QPSK	19175	12RB#6	21.80
Band2	5MHz	QPSK	19175	12RB#0	21.78
Band2	5MHz	QPSK	19175	25RB#0	21.70
Band2	5MHz	16QAM	18625	1RB#24	21.58
Band2	5MHz	16QAM	18625	1RB#12	21.57
Band2	5MHz	16QAM	18625	1RB#0	21.69
Band2	5MHz	16QAM	18625	12RB#0	20.57
Band2	5MHz	16QAM	18625	12RB#6	20.57
Band2	5MHz	16QAM	18625	12RB#13	20.47
Band2	5MHz	16QAM	18625	25RB#0	20.44
Band2	5MHz	16QAM	18900	1RB#24	21.47
Band2	5MHz	16QAM	18900	1RB#0	21.43
Band2	5MHz	16QAM	18900	1RB#12	21.46
Band2	5MHz	16QAM	18900	12RB#13	20.45
Band2	5MHz	16QAM	18900	12RB#0	20.49
Band2	5MHz	16QAM	18900	12RB#6	20.50
Band2	5MHz	16QAM	18900	25RB#0	20.51
Band2	5MHz	16QAM	19175	1RB#24	21.60
Band2	5MHz	16QAM	19175	1RB#0	21.68
Band2	5MHz	16QAM	19175	1RB#12	21.64
Band2	5MHz	16QAM	19175	12RB#6	20.73
Band2	5MHz	16QAM	19175	12RB#0	20.75
Band2	5MHz	16QAM	19175	12RB#13	20.66
Band2	5MHz	16QAM	19175	25RB#0	20.68
Band2	10MHz	QPSK	18650	1RB#0	22.56

Band2	10MHz	QPSK	18650	1RB#24	22.46
Band2	10MHz	QPSK	18650	1RB#49	22.61
Band2	10MHz	QPSK	18650	25RB#0	21.41
Band2	10MHz	QPSK	18650	25RB#12	21.42
Band2	10MHz	QPSK	18650	25RB#25	21.49
Band2	10MHz	QPSK	18650	50RB#0	21.43
Band2	10MHz	QPSK	18900	1RB#49	22.69
Band2	10MHz	QPSK	18900	1RB#0	22.53
Band2	10MHz	QPSK	18900	1RB#24	22.52
Band2	10MHz	QPSK	18900	25RB#0	21.37
Band2	10MHz	QPSK	18900	25RB#12	21.39
Band2	10MHz	QPSK	18900	25RB#25	21.51
Band2	10MHz	QPSK	18900	50RB#0	21.50
Band2	10MHz	QPSK	19150	1RB#49	22.71
Band2	10MHz	QPSK	19150	1RB#0	22.70
Band2	10MHz	QPSK	19150	1RB#24	22.78
Band2	10MHz	QPSK	19150	25RB#0	21.57
Band2	10MHz	QPSK	19150	25RB#12	21.59
Band2	10MHz	QPSK	19150	25RB#25	21.58
Band2	10MHz	QPSK	19150	50RB#0	21.62
Band2	10MHz	16QAM	18650	1RB#0	21.41
Band2	10MHz	16QAM	18650	1RB#49	21.39
Band2	10MHz	16QAM	18650	1RB#24	21.27
Band2	10MHz	16QAM	18650	25RB#0	20.43
Band2	10MHz	16QAM	18650	25RB#25	20.52
Band2	10MHz	16QAM	18650	25RB#12	20.44
Band2	10MHz	16QAM	18650	50RB#0	20.44
Band2	10MHz	16QAM	18900	1RB#49	21.44
Band2	10MHz	16QAM	18900	1RB#24	21.27
Band2	10MHz	16QAM	18900	1RB#0	21.30
Band2	10MHz	16QAM	18900	25RB#25	20.55
Band2	10MHz	16QAM	18900	25RB#12	20.41
Band2	10MHz	16QAM	18900	25RB#0	20.39
Band2	10MHz	16QAM	18900	50RB#0	20.50
Band2	10MHz	16QAM	19150	1RB#24	21.81
Band2	10MHz	16QAM	19150	1RB#0	21.71

Band2	10MHz	16QAM	19150	1RB#49	21.73
Band2	10MHz	16QAM	19150	25RB#25	20.57
Band2	10MHz	16QAM	19150	25RB#0	20.57
Band2	10MHz	16QAM	19150	25RB#12	20.58
Band2	10MHz	16QAM	19150	50RB#0	20.57
Band2	15MHz	QPSK	18675	1RB#38	22.34
Band2	15MHz	QPSK	18675	1RB#74	22.42
Band2	15MHz	QPSK	18675	1RB#0	22.52
Band2	15MHz	QPSK	18675	38RB#0	21.73
Band2	15MHz	QPSK	18675	38RB#18	21.53
Band2	15MHz	QPSK	18675	38RB#37	21.61
Band2	15MHz	QPSK	18675	75RB#0	21.44
Band2	15MHz	QPSK	18900	1RB#38	22.44
Band2	15MHz	QPSK	18900	1RB#0	22.56
Band2	15MHz	QPSK	18900	1RB#74	22.64
Band2	15MHz	QPSK	18900	38RB#37	21.45
Band2	15MHz	QPSK	18900	38RB#18	21.17
Band2	15MHz	QPSK	18900	38RB#0	21.38
Band2	15MHz	QPSK	18900	75RB#0	21.39
Band2	15MHz	QPSK	19125	1RB#0	22.71
Band2	15MHz	QPSK	19125	1RB#74	22.73
Band2	15MHz	QPSK	19125	1RB#38	22.69
Band2	15MHz	QPSK	19125	38RB#18	21.66
Band2	15MHz	QPSK	19125	38RB#0	21.70
Band2	15MHz	QPSK	19125	38RB#37	21.76
Band2	15MHz	QPSK	19125	75RB#0	21.67
Band2	15MHz	16QAM	18675	1RB#74	21.63
Band2	15MHz	16QAM	18675	1RB#0	21.74
Band2	15MHz	16QAM	18675	1RB#38	21.54
Band2	15MHz	16QAM	18675	38RB#18	21.50
Band2	15MHz	16QAM	18675	38RB#0	21.75
Band2	15MHz	16QAM	18675	38RB#37	21.63
Band2	15MHz	16QAM	18675	75RB#0	20.45
Band2	15MHz	16QAM	18900	1RB#74	21.49
Band2	15MHz	16QAM	18900	1RB#38	21.19
Band2	15MHz	16QAM	18900	1RB#0	21.33



Band2	15MHz	16QAM	18900	38RB#0	21.32
Band2	15MHz	16QAM	18900	38RB#37	21.45
Band2	15MHz	16QAM	18900	38RB#18	21.23
Band2	15MHz	16QAM	18900	75RB#0	20.43
Band2	15MHz	16QAM	19125	1RB#74	21.78
Band2	15MHz	16QAM	19125	1RB#0	21.75
Band2	15MHz	16QAM	19125	1RB#38	21.66
Band2	15MHz	16QAM	19125	38RB#0	21.72
Band2	15MHz	16QAM	19125	38RB#18	21.69
Band2	15MHz	16QAM	19125	38RB#37	21.77
Band2	15MHz	16QAM	19125	75RB#0	20.62
Band2	20MHz	QPSK	18700	1RB#0	22.56
Band2	20MHz	QPSK	18700	1RB#99	22.27
Band2	20MHz	QPSK	18700	1RB#49	22.47
Band2	20MHz	QPSK	18700	50RB#0	21.47
Band2	20MHz	QPSK	18700	50RB#50	21.44
Band2	20MHz	QPSK	18700	50RB#25	21.49
Band2	20MHz	QPSK	18700	100RB#0	21.51
Band2	20MHz	QPSK	18900	1RB#99	22.34
Band2	20MHz	QPSK	18900	1RB#49	22.54
Band2	20MHz	QPSK	18900	1RB#0	22.44
Band2	20MHz	QPSK	18900	50RB#25	21.49
Band2	20MHz	QPSK	18900	50RB#50	21.44
Band2	20MHz	QPSK	18900	50RB#0	21.47
Band2	20MHz	QPSK	18900	100RB#0	21.50
Band2	20MHz	QPSK	19100	1RB#99	22.50
Band2	20MHz	QPSK	19100	1RB#0	22.70
Band2	20MHz	QPSK	19100	1RB#49	22.82
Band2	20MHz	QPSK	19100	50RB#0	21.70
Band2	20MHz	QPSK	19100	50RB#25	21.73
Band2	20MHz	QPSK	19100	50RB#50	21.64
Band2	20MHz	QPSK	19100	100RB#0	21.70
Band2	20MHz	16QAM	18700	1RB#99	21.40
Band2	20MHz	16QAM	18700	1RB#49	21.65
Band2	20MHz	16QAM	18700	1RB#0	21.74
Band2	20MHz	16QAM	18700	50RB#25	20.48

Band2	20MHz	16QAM	18700	50RB#0	20.49
Band2	20MHz	16QAM	18700	50RB#50	20.40
Band2	20MHz	16QAM	18700	100RB#0	20.50
Band2	20MHz	16QAM	18900	1RB#99	21.15
Band2	20MHz	16QAM	18900	1RB#49	21.41
Band2	20MHz	16QAM	18900	1RB#0	21.27
Band2	20MHz	16QAM	18900	50RB#0	20.57
Band2	20MHz	16QAM	18900	50RB#25	20.54
Band2	20MHz	16QAM	18900	50RB#50	20.47
Band2	20MHz	16QAM	18900	100RB#0	20.53
Band2	20MHz	16QAM	19100	1RB#0	21.55
Band2	20MHz	16QAM	19100	1RB#99	21.39
Band2	20MHz	16QAM	19100	1RB#49	21.69
Band2	20MHz	16QAM	19100	50RB#50	20.69
Band2	20MHz	16QAM	19100	50RB#25	20.73
Band2	20MHz	16QAM	19100	50RB#0	20.71
Band2	20MHz	16QAM	19100	100RB#0	20.70
Band4	1.4MHz	QPSK	19957	1RB#0	22.93
Band4	1.4MHz	QPSK	19957	1RB#3	22.80
Band4	1.4MHz	QPSK	19957	1RB#5	22.78
Band4	1.4MHz	QPSK	19957	3RB#0	22.83
Band4	1.4MHz	QPSK	19957	3RB#3	22.77
Band4	1.4MHz	QPSK	19957	3RB#2	22.80
Band4	1.4MHz	QPSK	19957	6RB#0	21.72
Band4	1.4MHz	QPSK	20175	1RB#5	22.73
Band4	1.4MHz	QPSK	20175	1RB#0	22.75
Band4	1.4MHz	QPSK	20175	1RB#3	22.82
Band4	1.4MHz	QPSK	20175	3RB#3	22.80
Band4	1.4MHz	QPSK	20175	3RB#2	22.92
Band4	1.4MHz	QPSK	20175	3RB#0	22.73
Band4	1.4MHz	QPSK	20175	6RB#0	21.73
Band4	1.4MHz	QPSK	20393	1RB#5	22.75
Band4	1.4MHz	QPSK	20393	1RB#0	22.82
Band4	1.4MHz	QPSK	20393	1RB#3	22.72
Band4	1.4MHz	QPSK	20393	3RB#0	22.82
Band4	1.4MHz	QPSK	20393	3RB#2	22.82

Band4	1.4MHz	QPSK	20393	3RB#3	22.74
Band4	1.4MHz	QPSK	20393	6RB#0	21.92
Band4	1.4MHz	16QAM	19957	1RB#3	21.74
Band4	1.4MHz	16QAM	19957	1RB#0	21.62
Band4	1.4MHz	16QAM	19957	1RB#5	21.59
Band4	1.4MHz	16QAM	19957	3RB#3	21.60
Band4	1.4MHz	16QAM	19957	3RB#2	21.61
Band4	1.4MHz	16QAM	19957	3RB#0	21.58
Band4	1.4MHz	16QAM	19957	6RB#0	20.66
Band4	1.4MHz	16QAM	20175	1RB#5	21.43
Band4	1.4MHz	16QAM	20175	1RB#3	21.57
Band4	1.4MHz	16QAM	20175	1RB#0	21.54
Band4	1.4MHz	16QAM	20175	3RB#3	21.48
Band4	1.4MHz	16QAM	20175	3RB#2	21.58
Band4	1.4MHz	16QAM	20175	3RB#0	21.59
Band4	1.4MHz	16QAM	20175	6RB#0	20.70
Band4	1.4MHz	16QAM	20393	1RB#0	21.74
Band4	1.4MHz	16QAM	20393	1RB#3	21.78
Band4	1.4MHz	16QAM	20393	1RB#5	21.68
Band4	1.4MHz	16QAM	20393	3RB#2	21.73
Band4	1.4MHz	16QAM	20393	3RB#0	21.67
Band4	1.4MHz	16QAM	20393	3RB#3	21.67
Band4	1.4MHz	16QAM	20393	6RB#0	20.87
Band4	3MHz	QPSK	19965	1RB#7	22.90
Band4	3MHz	QPSK	19965	1RB#0	22.96
Band4	3MHz	QPSK	19965	1RB#14	22.93
Band4	3MHz	QPSK	19965	8RB#4	21.81
Band4	3MHz	QPSK	19965	8RB#7	21.73
Band4	3MHz	QPSK	19965	8RB#0	21.79
Band4	3MHz	QPSK	19965	15RB#0	21.80
Band4	3MHz	QPSK	20175	1RB#0	22.84
Band4	3MHz	QPSK	20175	1RB#14	22.83
Band4	3MHz	QPSK	20175	1RB#7	22.84
Band4	3MHz	QPSK	20175	8RB#0	21.82
Band4	3MHz	QPSK	20175	8RB#4	21.85
Band4	3MHz	QPSK	20175	8RB#7	21.78

Band4	3MHz	QPSK	20175	15RB#0	21.79
Band4	3MHz	QPSK	20385	1RB#14	22.75
Band4	3MHz	QPSK	20385	1RB#7	22.86
Band4	3MHz	QPSK	20385	1RB#0	22.79
Band4	3MHz	QPSK	20385	8RB#0	21.90
Band4	3MHz	QPSK	20385	8RB#4	21.91
Band4	3MHz	QPSK	20385	8RB#7	21.91
Band4	3MHz	QPSK	20385	15RB#0	21.90
Band4	3MHz	16QAM	19965	1RB#14	21.67
Band4	3MHz	16QAM	19965	1RB#0	21.76
Band4	3MHz	16QAM	19965	1RB#7	21.69
Band4	3MHz	16QAM	19965	8RB#4	20.83
Band4	3MHz	16QAM	19965	8RB#0	20.79
Band4	3MHz	16QAM	19965	8RB#7	20.72
Band4	3MHz	16QAM	19965	15RB#0	20.74
Band4	3MHz	16QAM	20175	1RB#7	21.55
Band4	3MHz	16QAM	20175	1RB#14	21.60
Band4	3MHz	16QAM	20175	1RB#0	21.64
Band4	3MHz	16QAM	20175	8RB#0	20.83
Band4	3MHz	16QAM	20175	8RB#4	20.83
Band4	3MHz	16QAM	20175	8RB#7	20.77
Band4	3MHz	16QAM	20175	15RB#0	20.73
Band4	3MHz	16QAM	20385	1RB#0	21.96
Band4	3MHz	16QAM	20385	1RB#7	21.96
Band4	3MHz	16QAM	20385	1RB#14	21.79
Band4	3MHz	16QAM	20385	8RB#0	20.93
Band4	3MHz	16QAM	20385	8RB#4	20.95
Band4	3MHz	16QAM	20385	8RB#7	20.90
Band4	3MHz	16QAM	20385	15RB#0	20.90
Band4	5MHz	QPSK	19975	1RB#24	22.82
Band4	5MHz	QPSK	19975	1RB#0	22.94
Band4	5MHz	QPSK	19975	1RB#12	22.87
Band4	5MHz	QPSK	19975	12RB#13	21.80
Band4	5MHz	QPSK	19975	12RB#6	21.82
Band4	5MHz	QPSK	19975	12RB#0	21.84
Band4	5MHz	QPSK	19975	25RB#0	21.86

Band4	5MHz	QPSK	20175	1RB#24	22.81
Band4	5MHz	QPSK	20175	1RB#12	22.87
Band4	5MHz	QPSK	20175	1RB#0	23.03
Band4	5MHz	QPSK	20175	12RB#6	21.87
Band4	5MHz	QPSK	20175	12RB#13	21.85
Band4	5MHz	QPSK	20175	12RB#0	21.85
Band4	5MHz	QPSK	20175	25RB#0	21.85
Band4	5MHz	QPSK	20375	1RB#0	23.00
Band4	5MHz	QPSK	20375	1RB#12	22.99
Band4	5MHz	QPSK	20375	1RB#24	22.89
Band4	5MHz	QPSK	20375	12RB#0	21.96
Band4	5MHz	QPSK	20375	12RB#6	21.96
Band4	5MHz	QPSK	20375	12RB#13	21.89
Band4	5MHz	QPSK	20375	25RB#0	21.93
Band4	5MHz	16QAM	19975	1RB#12	21.99
Band4	5MHz	16QAM	19975	1RB#24	21.92
Band4	5MHz	16QAM	19975	1RB#0	22.05
Band4	5MHz	16QAM	19975	12RB#0	20.90
Band4	5MHz	16QAM	19975	12RB#13	20.86
Band4	5MHz	16QAM	19975	12RB#6	20.93
Band4	5MHz	16QAM	19975	25RB#0	20.88
Band4	5MHz	16QAM	20175	1RB#0	21.94
Band4	5MHz	16QAM	20175	1RB#12	21.78
Band4	5MHz	16QAM	20175	1RB#24	21.83
Band4	5MHz	16QAM	20175	12RB#0	20.92
Band4	5MHz	16QAM	20175	12RB#13	20.87
Band4	5MHz	16QAM	20175	12RB#6	20.90
Band4	5MHz	16QAM	20175	25RB#0	20.82
Band4	5MHz	16QAM	20375	1RB#24	21.85
Band4	5MHz	16QAM	20375	1RB#12	21.89
Band4	5MHz	16QAM	20375	1RB#0	21.93
Band4	5MHz	16QAM	20375	12RB#6	20.97
Band4	5MHz	16QAM	20375	12RB#13	20.85
Band4	5MHz	16QAM	20375	12RB#0	20.97
Band4	5MHz	16QAM	20375	25RB#0	20.86
Band4	10MHz	QPSK	20000	1RB#0	22.99

Band4	10MHz	QPSK	20000	1RB#24	22.79
Band4	10MHz	QPSK	20000	1RB#49	23.06
Band4	10MHz	QPSK	20000	25RB#25	21.88
Band4	10MHz	QPSK	20000	25RB#0	21.89
Band4	10MHz	QPSK	20000	25RB#12	21.88
Band4	10MHz	QPSK	20000	50RB#0	21.83
Band4	10MHz	QPSK	20175	1RB#49	22.93
Band4	10MHz	QPSK	20175	1RB#0	22.99
Band4	10MHz	QPSK	20175	1RB#24	22.75
Band4	10MHz	QPSK	20175	25RB#12	21.81
Band4	10MHz	QPSK	20175	25RB#25	21.88
Band4	10MHz	QPSK	20175	25RB#0	21.82
Band4	10MHz	QPSK	20175	50RB#0	21.79
Band4	10MHz	QPSK	20350	1RB#24	22.87
Band4	10MHz	QPSK	20350	1RB#0	23.06
Band4	10MHz	QPSK	20350	1RB#49	22.95
Band4	10MHz	QPSK	20350	25RB#25	21.89
Band4	10MHz	QPSK	20350	25RB#12	21.86
Band4	10MHz	QPSK	20350	25RB#0	21.88
Band4	10MHz	QPSK	20350	50RB#0	21.89
Band4	10MHz	16QAM	20000	1RB#49	21.87
Band4	10MHz	16QAM	20000	1RB#0	21.87
Band4	10MHz	16QAM	20000	1RB#24	21.62
Band4	10MHz	16QAM	20000	25RB#12	20.89
Band4	10MHz	16QAM	20000	25RB#0	20.93
Band4	10MHz	16QAM	20000	25RB#25	20.93
Band4	10MHz	16QAM	20000	50RB#0	20.84
Band4	10MHz	16QAM	20175	1RB#0	21.70
Band4	10MHz	16QAM	20175	1RB#24	21.52
Band4	10MHz	16QAM	20175	1RB#49	21.75
Band4	10MHz	16QAM	20175	25RB#12	20.85
Band4	10MHz	16QAM	20175	25RB#25	20.88
Band4	10MHz	16QAM	20175	25RB#0	20.86
Band4	10MHz	16QAM	20175	50RB#0	20.80
Band4	10MHz	16QAM	20350	1RB#0	22.08
Band4	10MHz	16QAM	20350	1RB#24	21.86

Band4	10MHz	16QAM	20350	1RB#49	22.04
Band4	10MHz	16QAM	20350	25RB#12	20.83
Band4	10MHz	16QAM	20350	25RB#25	20.83
Band4	10MHz	16QAM	20350	25RB#0	20.86
Band4	10MHz	16QAM	20350	50RB#0	20.88
Band4	15MHz	QPSK	20025	1RB#0	22.81
Band4	15MHz	QPSK	20025	1RB#38	22.64
Band4	15MHz	QPSK	20025	1RB#74	22.92
Band4	15MHz	QPSK	20025	38RB#0	21.95
Band4	15MHz	QPSK	20025	38RB#37	22.08
Band4	15MHz	QPSK	20025	38RB#18	21.80
Band4	15MHz	QPSK	20025	75RB#0	21.68
Band4	15MHz	QPSK	20175	1RB#74	23.00
Band4	15MHz	QPSK	20175	1RB#38	22.74
Band4	15MHz	QPSK	20175	1RB#0	22.93
Band4	15MHz	QPSK	20175	38RB#37	21.76
Band4	15MHz	QPSK	20175	38RB#18	21.50
Band4	15MHz	QPSK	20175	38RB#0	21.71
Band4	15MHz	QPSK	20175	75RB#0	21.75
Band4	15MHz	QPSK	20325	1RB#74	22.99
Band4	15MHz	QPSK	20325	1RB#0	22.90
Band4	15MHz	QPSK	20325	1RB#38	22.80
Band4	15MHz	QPSK	20325	38RB#37	22.05
Band4	15MHz	QPSK	20325	38RB#0	22.04
Band4	15MHz	QPSK	20325	38RB#18	21.84
Band4	15MHz	QPSK	20325	75RB#0	21.81
Band4	15MHz	16QAM	20025	1RB#38	21.80
Band4	15MHz	16QAM	20025	1RB#74	22.08
Band4	15MHz	16QAM	20025	1RB#0	21.98
Band4	15MHz	16QAM	20025	38RB#18	21.76
Band4	15MHz	16QAM	20025	38RB#37	22.12
Band4	15MHz	16QAM	20025	38RB#0	21.97
Band4	15MHz	16QAM	20025	75RB#0	20.69
Band4	15MHz	16QAM	20175	1RB#74	21.80
Band4	15MHz	16QAM	20175	1RB#0	21.70
Band4	15MHz	16QAM	20175	1RB#38	21.53

Band4	15MHz	16QAM	20175	38RB#0	21.74
Band4	15MHz	16QAM	20175	38RB#18	21.48
Band4	15MHz	16QAM	20175	38RB#37	21.83
Band4	15MHz	16QAM	20175	75RB#0	20.76
Band4	15MHz	16QAM	20325	1RB#0	21.96
Band4	15MHz	16QAM	20325	1RB#74	22.05
Band4	15MHz	16QAM	20325	1RB#38	21.90
Band4	15MHz	16QAM	20325	38RB#18	21.80
Band4	15MHz	16QAM	20325	38RB#37	22.05
Band4	15MHz	16QAM	20325	38RB#0	21.93
Band4	15MHz	16QAM	20325	75RB#0	20.77
Band4	20MHz	QPSK	20050	1RB#99	22.94
Band4	20MHz	QPSK	20050	1RB#49	22.75
Band4	20MHz	QPSK	20050	1RB#0	22.72
Band4	20MHz	QPSK	20050	50RB#25	21.71
Band4	20MHz	QPSK	20050	50RB#0	21.74
Band4	20MHz	QPSK	20050	50RB#50	21.85
Band4	20MHz	QPSK	20050	100RB#0	21.82
Band4	20MHz	QPSK	20175	1RB#0	22.81
Band4	20MHz	QPSK	20175	1RB#49	22.76
Band4	20MHz	QPSK	20175	1RB#99	22.92
Band4	20MHz	QPSK	20175	50RB#50	21.85
Band4	20MHz	QPSK	20175	50RB#25	21.83
Band4	20MHz	QPSK	20175	50RB#0	21.82
Band4	20MHz	QPSK	20175	100RB#0	21.81
Band4	20MHz	QPSK	20300	1RB#49	22.83
Band4	20MHz	QPSK	20300	1RB#0	22.80
Band4	20MHz	QPSK	20300	1RB#99	22.92
Band4	20MHz	QPSK	20300	50RB#25	21.84
Band4	20MHz	QPSK	20300	50RB#50	21.83
Band4	20MHz	QPSK	20300	50RB#0	21.86
Band4	20MHz	QPSK	20300	100RB#0	21.85
Band4	20MHz	16QAM	20050	1RB#0	21.88
Band4	20MHz	16QAM	20050	1RB#49	21.94
Band4	20MHz	16QAM	20050	1RB#99	22.05
Band4	20MHz	16QAM	20050	50RB#25	20.77



Band4	20MHz	16QAM	20050	50RB#50	20.88
Band4	20MHz	16QAM	20050	50RB#0	20.75
Band4	20MHz	16QAM	20050	100RB#0	20.86
Band4	20MHz	16QAM	20175	1RB#49	21.60
Band4	20MHz	16QAM	20175	1RB#0	21.64
Band4	20MHz	16QAM	20175	1RB#99	21.83
Band4	20MHz	16QAM	20175	50RB#25	20.86
Band4	20MHz	16QAM	20175	50RB#0	20.87
Band4	20MHz	16QAM	20175	50RB#50	20.90
Band4	20MHz	16QAM	20175	100RB#0	20.83
Band4	20MHz	16QAM	20300	1RB#99	21.82
Band4	20MHz	16QAM	20300	1RB#0	21.66
Band4	20MHz	16QAM	20300	1RB#49	21.68
Band4	20MHz	16QAM	20300	50RB#50	20.83
Band4	20MHz	16QAM	20300	50RB#25	20.83
Band4	20MHz	16QAM	20300	50RB#0	20.83
Band4	20MHz	16QAM	20300	100RB#0	20.82
Band5	1.4MHz	QPSK	20407	1RB#0	22.95
Band5	1.4MHz	QPSK	20407	1RB#5	22.95
Band5	1.4MHz	QPSK	20407	1RB#3	22.98
Band5	1.4MHz	QPSK	20407	3RB#0	22.88
Band5	1.4MHz	QPSK	20407	3RB#2	22.90
Band5	1.4MHz	QPSK	20407	3RB#3	22.90
Band5	1.4MHz	QPSK	20407	6RB#0	21.91
Band5	1.4MHz	QPSK	20525	1RB#5	22.91
Band5	1.4MHz	QPSK	20525	1RB#3	22.97
Band5	1.4MHz	QPSK	20525	1RB#0	22.94
Band5	1.4MHz	QPSK	20525	3RB#0	22.90
Band5	1.4MHz	QPSK	20525	3RB#3	23.00
Band5	1.4MHz	QPSK	20525	3RB#2	22.90
Band5	1.4MHz	QPSK	20525	6RB#0	21.93
Band5	1.4MHz	QPSK	20643	1RB#3	22.86
Band5	1.4MHz	QPSK	20643	1RB#5	22.80
Band5	1.4MHz	QPSK	20643	1RB#0	22.80
Band5	1.4MHz	QPSK	20643	3RB#0	22.76
Band5	1.4MHz	QPSK	20643	3RB#3	22.76

Band5	1.4MHz	QPSK	20643	3RB#2	22.75
Band5	1.4MHz	QPSK	20643	6RB#0	21.77
Band5	1.4MHz	16QAM	20407	1RB#3	21.83
Band5	1.4MHz	16QAM	20407	1RB#0	21.72
Band5	1.4MHz	16QAM	20407	1RB#5	21.88
Band5	1.4MHz	16QAM	20407	3RB#3	21.69
Band5	1.4MHz	16QAM	20407	3RB#0	21.68
Band5	1.4MHz	16QAM	20407	3RB#2	21.69
Band5	1.4MHz	16QAM	20407	6RB#0	20.83
Band5	1.4MHz	16QAM	20525	1RB#5	21.68
Band5	1.4MHz	16QAM	20525	1RB#0	21.76
Band5	1.4MHz	16QAM	20525	1RB#3	21.70
Band5	1.4MHz	16QAM	20525	3RB#3	21.63
Band5	1.4MHz	16QAM	20525	3RB#0	21.70
Band5	1.4MHz	16QAM	20525	3RB#2	21.72
Band5	1.4MHz	16QAM	20525	6RB#0	20.87
Band5	1.4MHz	16QAM	20643	1RB#0	21.79
Band5	1.4MHz	16QAM	20643	1RB#3	21.79
Band5	1.4MHz	16QAM	20643	1RB#5	21.73
Band5	1.4MHz	16QAM	20643	3RB#3	21.53
Band5	1.4MHz	16QAM	20643	3RB#2	21.60
Band5	1.4MHz	16QAM	20643	3RB#0	21.58
Band5	1.4MHz	16QAM	20643	6RB#0	20.72
Band5	3MHz	QPSK	20415	1RB#7	23.04
Band5	3MHz	QPSK	20415	1RB#0	22.94
Band5	3MHz	QPSK	20415	1RB#14	22.94
Band5	3MHz	QPSK	20415	8RB#7	21.92
Band5	3MHz	QPSK	20415	8RB#4	21.87
Band5	3MHz	QPSK	20415	8RB#0	21.86
Band5	3MHz	QPSK	20415	15RB#0	21.94
Band5	3MHz	QPSK	20525	1RB#0	22.92
Band5	3MHz	QPSK	20525	1RB#14	22.97
Band5	3MHz	QPSK	20525	1RB#7	22.95
Band5	3MHz	QPSK	20525	8RB#7	21.92
Band5	3MHz	QPSK	20525	8RB#0	21.92
Band5	3MHz	QPSK	20525	8RB#4	21.92

Band5	3MHz	QPSK	20525	15RB#0	21.90
Band5	3MHz	QPSK	20635	1RB#7	22.82
Band5	3MHz	QPSK	20635	1RB#0	22.83
Band5	3MHz	QPSK	20635	1RB#14	22.79
Band5	3MHz	QPSK	20635	8RB#4	21.80
Band5	3MHz	QPSK	20635	8RB#0	21.80
Band5	3MHz	QPSK	20635	8RB#7	21.76
Band5	3MHz	QPSK	20635	15RB#0	21.82
Band5	3MHz	16QAM	20415	1RB#7	21.81
Band5	3MHz	16QAM	20415	1RB#0	21.76
Band5	3MHz	16QAM	20415	1RB#14	21.72
Band5	3MHz	16QAM	20415	8RB#7	20.89
Band5	3MHz	16QAM	20415	8RB#0	20.85
Band5	3MHz	16QAM	20415	8RB#4	20.83
Band5	3MHz	16QAM	20415	15RB#0	20.83
Band5	3MHz	16QAM	20525	1RB#14	21.79
Band5	3MHz	16QAM	20525	1RB#7	21.68
Band5	3MHz	16QAM	20525	1RB#0	21.74
Band5	3MHz	16QAM	20525	8RB#0	20.91
Band5	3MHz	16QAM	20525	8RB#7	20.87
Band5	3MHz	16QAM	20525	8RB#4	20.87
Band5	3MHz	16QAM	20525	15RB#0	20.79
Band5	3MHz	16QAM	20635	1RB#14	21.78
Band5	3MHz	16QAM	20635	1RB#0	21.83
Band5	3MHz	16QAM	20635	1RB#7	21.84
Band5	3MHz	16QAM	20635	8RB#4	20.74
Band5	3MHz	16QAM	20635	8RB#0	20.82
Band5	3MHz	16QAM	20635	8RB#7	20.81
Band5	3MHz	16QAM	20635	15RB#0	20.75
Band5	5MHz	QPSK	20425	1RB#0	22.89
Band5	5MHz	QPSK	20425	1RB#24	22.93
Band5	5MHz	QPSK	20425	1RB#12	23.00
Band5	5MHz	QPSK	20425	12RB#0	21.87
Band5	5MHz	QPSK	20425	12RB#6	21.88
Band5	5MHz	QPSK	20425	12RB#13	21.91
Band5	5MHz	QPSK	20425	25RB#0	21.97

Band5	5MHz	QPSK	20525	1RB#0	23.03
Band5	5MHz	QPSK	20525	1RB#24	23.02
Band5	5MHz	QPSK	20525	1RB#12	22.97
Band5	5MHz	QPSK	20525	12RB#6	21.93
Band5	5MHz	QPSK	20525	12RB#0	21.92
Band5	5MHz	QPSK	20525	12RB#13	22.01
Band5	5MHz	QPSK	20525	25RB#0	21.90
Band5	5MHz	QPSK	20625	1RB#24	22.86
Band5	5MHz	QPSK	20625	1RB#12	22.87
Band5	5MHz	QPSK	20625	1RB#0	22.88
Band5	5MHz	QPSK	20625	12RB#6	21.75
Band5	5MHz	QPSK	20625	12RB#13	21.81
Band5	5MHz	QPSK	20625	12RB#0	21.75
Band5	5MHz	QPSK	20625	25RB#0	21.80
Band5	5MHz	16QAM	20425	1RB#24	22.07
Band5	5MHz	16QAM	20425	1RB#0	22.03
Band5	5MHz	16QAM	20425	1RB#12	22.01
Band5	5MHz	16QAM	20425	12RB#0	20.93
Band5	5MHz	16QAM	20425	12RB#6	20.91
Band5	5MHz	16QAM	20425	12RB#13	20.96
Band5	5MHz	16QAM	20425	25RB#0	20.90
Band5	5MHz	16QAM	20525	1RB#0	21.90
Band5	5MHz	16QAM	20525	1RB#24	21.92
Band5	5MHz	16QAM	20525	1RB#12	21.83
Band5	5MHz	16QAM	20525	12RB#13	21.01
Band5	5MHz	16QAM	20525	12RB#0	20.92
Band5	5MHz	16QAM	20525	12RB#6	20.93
Band5	5MHz	16QAM	20525	25RB#0	20.90
Band5	5MHz	16QAM	20625	1RB#0	21.81
Band5	5MHz	16QAM	20625	1RB#24	21.78
Band5	5MHz	16QAM	20625	1RB#12	21.77
Band5	5MHz	16QAM	20625	12RB#13	20.74
Band5	5MHz	16QAM	20625	12RB#6	20.70
Band5	5MHz	16QAM	20625	12RB#0	20.69
Band5	5MHz	16QAM	20625	25RB#0	20.82
Band5	10MHz	QPSK	20450	1RB#24	23.04

Band5	10MHz	QPSK	20450	1RB#0	23.13
Band5	10MHz	QPSK	20450	1RB#49	23.31
Band5	10MHz	QPSK	20450	25RB#12	22.01
Band5	10MHz	QPSK	20450	25RB#0	22.04
Band5	10MHz	QPSK	20450	25RB#25	22.16
Band5	10MHz	QPSK	20450	50RB#0	22.12
Band5	10MHz	QPSK	20525	1RB#24	22.95
Band5	10MHz	QPSK	20525	1RB#0	23.14
Band5	10MHz	QPSK	20525	1RB#49	23.32
Band5	10MHz	QPSK	20525	25RB#0	21.98
Band5	10MHz	QPSK	20525	25RB#25	22.09
Band5	10MHz	QPSK	20525	25RB#12	21.99
Band5	10MHz	QPSK	20525	50RB#0	21.99
Band5	10MHz	QPSK	20600	1RB#24	22.85
Band5	10MHz	QPSK	20600	1RB#0	23.14
Band5	10MHz	QPSK	20600	1RB#49	23.18
Band5	10MHz	QPSK	20600	25RB#25	21.95
Band5	10MHz	QPSK	20600	25RB#12	21.99
Band5	10MHz	QPSK	20600	25RB#0	21.98
Band5	10MHz	QPSK	20600	50RB#0	21.97
Band5	10MHz	16QAM	20450	1RB#24	21.88
Band5	10MHz	16QAM	20450	1RB#0	22.00
Band5	10MHz	16QAM	20450	1RB#49	22.12
Band5	10MHz	16QAM	20450	25RB#0	21.02
Band5	10MHz	16QAM	20450	25RB#12	21.00
Band5	10MHz	16QAM	20450	25RB#25	21.17
Band5	10MHz	16QAM	20450	50RB#0	21.09
Band5	10MHz	16QAM	20525	1RB#0	21.91
Band5	10MHz	16QAM	20525	1RB#49	22.06
Band5	10MHz	16QAM	20525	1RB#24	21.73
Band5	10MHz	16QAM	20525	25RB#0	21.01
Band5	10MHz	16QAM	20525	25RB#12	20.99
Band5	10MHz	16QAM	20525	25RB#25	21.12
Band5	10MHz	16QAM	20525	50RB#0	20.98
Band5	10MHz	16QAM	20600	1RB#0	22.21
Band5	10MHz	16QAM	20600	1RB#24	21.84

Band5	10MHz	16QAM	20600	1RB#49	22.18
Band5	10MHz	16QAM	20600	25RB#0	20.94
Band5	10MHz	16QAM	20600	25RB#12	20.94
Band5	10MHz	16QAM	20600	25RB#25	20.92
Band5	10MHz	16QAM	20600	50RB#0	20.88
Band7	5MHz	QPSK	20775	1RB#12	22.57
Band7	5MHz	QPSK	20775	1RB#0	22.62
Band7	5MHz	QPSK	20775	1RB#24	22.58
Band7	5MHz	QPSK	20775	12RB#0	21.53
Band7	5MHz	QPSK	20775	12RB#13	21.50
Band7	5MHz	QPSK	20775	12RB#6	21.56
Band7	5MHz	QPSK	20775	25RB#0	21.53
Band7	5MHz	QPSK	21100	1RB#24	22.55
Band7	5MHz	QPSK	21100	1RB#0	22.70
Band7	5MHz	QPSK	21100	1RB#12	22.62
Band7	5MHz	QPSK	21100	12RB#6	21.61
Band7	5MHz	QPSK	21100	12RB#0	21.59
Band7	5MHz	QPSK	21100	12RB#13	21.54
Band7	5MHz	QPSK	21100	25RB#0	21.60
Band7	5MHz	QPSK	21425	1RB#24	22.59
Band7	5MHz	QPSK	21425	1RB#12	22.64
Band7	5MHz	QPSK	21425	1RB#0	22.70
Band7	5MHz	QPSK	21425	12RB#0	21.65
Band7	5MHz	QPSK	21425	12RB#6	21.64
Band7	5MHz	QPSK	21425	12RB#13	21.59
Band7	5MHz	QPSK	21425	25RB#0	21.61
Band7	5MHz	16QAM	20775	1RB#12	21.63
Band7	5MHz	16QAM	20775	1RB#0	21.65
Band7	5MHz	16QAM	20775	1RB#24	21.61
Band7	5MHz	16QAM	20775	12RB#13	20.51
Band7	5MHz	16QAM	20775	12RB#0	20.59
Band7	5MHz	16QAM	20775	12RB#6	20.60
Band7	5MHz	16QAM	20775	25RB#0	20.48
Band7	5MHz	16QAM	21100	1RB#12	21.49
Band7	5MHz	16QAM	21100	1RB#0	21.57
Band7	5MHz	16QAM	21100	1RB#24	21.44

Band7	5MHz	16QAM	21100	12RB#6	20.60
Band7	5MHz	16QAM	21100	12RB#0	20.59
Band7	5MHz	16QAM	21100	12RB#13	20.55
Band7	5MHz	16QAM	21100	25RB#0	20.60
Band7	5MHz	16QAM	21425	1RB#0	21.64
Band7	5MHz	16QAM	21425	1RB#12	21.58
Band7	5MHz	16QAM	21425	1RB#24	21.52
Band7	5MHz	16QAM	21425	12RB#13	20.54
Band7	5MHz	16QAM	21425	12RB#0	20.64
Band7	5MHz	16QAM	21425	12RB#6	20.65
Band7	5MHz	16QAM	21425	25RB#0	20.60
Band7	10MHz	QPSK	20800	1RB#0	22.83
Band7	10MHz	QPSK	20800	1RB#49	22.67
Band7	10MHz	QPSK	20800	1RB#24	22.58
Band7	10MHz	QPSK	20800	25RB#0	21.60
Band7	10MHz	QPSK	20800	25RB#12	21.59
Band7	10MHz	QPSK	20800	25RB#25	21.59
Band7	10MHz	QPSK	20800	50RB#0	21.64
Band7	10MHz	QPSK	21100	1RB#49	22.62
Band7	10MHz	QPSK	21100	1RB#24	22.50
Band7	10MHz	QPSK	21100	1RB#0	22.78
Band7	10MHz	QPSK	21100	25RB#0	21.60
Band7	10MHz	QPSK	21100	25RB#12	21.62
Band7	10MHz	QPSK	21100	25RB#25	21.54
Band7	10MHz	QPSK	21100	50RB#0	21.61
Band7	10MHz	QPSK	21400	1RB#24	22.56
Band7	10MHz	QPSK	21400	1RB#49	22.67
Band7	10MHz	QPSK	21400	1RB#0	22.82
Band7	10MHz	QPSK	21400	25RB#12	21.64
Band7	10MHz	QPSK	21400	25RB#25	21.56
Band7	10MHz	QPSK	21400	25RB#0	21.62
Band7	10MHz	QPSK	21400	50RB#0	21.59
Band7	10MHz	16QAM	20800	1RB#24	21.43
Band7	10MHz	16QAM	20800	1RB#0	21.67
Band7	10MHz	16QAM	20800	1RB#49	21.54
Band7	10MHz	16QAM	20800	25RB#25	20.59

Band7	10MHz	16QAM	20800	25RB#12	20.58
Band7	10MHz	16QAM	20800	25RB#0	20.58
Band7	10MHz	16QAM	20800	50RB#0	20.63
Band7	10MHz	16QAM	21100	1RB#24	21.31
Band7	10MHz	16QAM	21100	1RB#0	21.50
Band7	10MHz	16QAM	21100	1RB#49	21.38
Band7	10MHz	16QAM	21100	25RB#25	20.56
Band7	10MHz	16QAM	21100	25RB#12	20.63
Band7	10MHz	16QAM	21100	25RB#0	20.63
Band7	10MHz	16QAM	21100	50RB#0	20.55
Band7	10MHz	16QAM	21400	1RB#24	21.58
Band7	10MHz	16QAM	21400	1RB#49	21.61
Band7	10MHz	16QAM	21400	1RB#0	21.82
Band7	10MHz	16QAM	21400	25RB#0	20.59
Band7	10MHz	16QAM	21400	25RB#12	20.58
Band7	10MHz	16QAM	21400	25RB#25	20.53
Band7	10MHz	16QAM	21400	50RB#0	20.56
Band7	15MHz	QPSK	20825	1RB#74	22.44
Band7	15MHz	QPSK	20825	1RB#38	22.59
Band7	15MHz	QPSK	20825	1RB#0	22.54
Band7	15MHz	QPSK	20825	38RB#0	21.64
Band7	15MHz	QPSK	20825	38RB#18	21.68
Band7	15MHz	QPSK	20825	38RB#37	21.55
Band7	15MHz	QPSK	20825	75RB#0	21.62
Band7	15MHz	QPSK	21100	1RB#74	22.48
Band7	15MHz	QPSK	21100	1RB#38	22.50
Band7	15MHz	QPSK	21100	1RB#0	22.59
Band7	15MHz	QPSK	21100	38RB#37	21.21
Band7	15MHz	QPSK	21100	38RB#18	21.29
Band7	15MHz	QPSK	21100	38RB#0	21.37
Band7	15MHz	QPSK	21100	75RB#0	21.49
Band7	15MHz	QPSK	21375	1RB#74	22.41
Band7	15MHz	QPSK	21375	1RB#38	22.51
Band7	15MHz	QPSK	21375	1RB#0	22.47
Band7	15MHz	QPSK	21375	38RB#37	21.44
Band7	15MHz	QPSK	21375	38RB#18	21.53



Band7	15MHz	QPSK	21375	38RB#0	21.46
Band7	15MHz	QPSK	21375	75RB#0	21.54
Band7	15MHz	16QAM	20825	1RB#74	21.60
Band7	15MHz	16QAM	20825	1RB#38	21.74
Band7	15MHz	16QAM	20825	1RB#0	21.67
Band7	15MHz	16QAM	20825	38RB#37	21.59
Band7	15MHz	16QAM	20825	38RB#0	21.70
Band7	15MHz	16QAM	20825	38RB#18	21.68
Band7	15MHz	16QAM	20825	75RB#0	20.67
Band7	15MHz	16QAM	21100	1RB#0	21.37
Band7	15MHz	16QAM	21100	1RB#38	21.27
Band7	15MHz	16QAM	21100	1RB#74	21.22
Band7	15MHz	16QAM	21100	38RB#37	21.22
Band7	15MHz	16QAM	21100	38RB#18	21.32
Band7	15MHz	16QAM	21100	38RB#0	21.34
Band7	15MHz	16QAM	21100	75RB#0	20.51
Band7	15MHz	16QAM	21375	1RB#0	21.47
Band7	15MHz	16QAM	21375	1RB#74	21.43
Band7	15MHz	16QAM	21375	1RB#38	21.55
Band7	15MHz	16QAM	21375	38RB#18	21.53
Band7	15MHz	16QAM	21375	38RB#0	21.47
Band7	15MHz	16QAM	21375	38RB#37	21.45
Band7	15MHz	16QAM	21375	75RB#0	20.46
Band7	20MHz	QPSK	20850	1RB#49	22.72
Band7	20MHz	QPSK	20850	1RB#99	22.62
Band7	20MHz	QPSK	20850	1RB#0	22.59
Band7	20MHz	QPSK	20850	50RB#50	21.49
Band7	20MHz	QPSK	20850	50RB#0	21.52
Band7	20MHz	QPSK	20850	50RB#25	21.53
Band7	20MHz	QPSK	20850	100RB#0	21.53
Band7	20MHz	QPSK	21100	1RB#49	22.48
Band7	20MHz	QPSK	21100	1RB#99	22.43
Band7	20MHz	QPSK	21100	1RB#0	22.56
Band7	20MHz	QPSK	21100	50RB#50	21.46
Band7	20MHz	QPSK	21100	50RB#25	21.49
Band7	20MHz	QPSK	21100	50RB#0	21.52

Band7	20MHz	QPSK	21100	100RB#0	21.48
Band7	20MHz	QPSK	21350	1RB#99	22.31
Band7	20MHz	QPSK	21350	1RB#49	22.48
Band7	20MHz	QPSK	21350	1RB#0	22.39
Band7	20MHz	QPSK	21350	50RB#25	21.41
Band7	20MHz	QPSK	21350	50RB#50	21.44
Band7	20MHz	QPSK	21350	50RB#0	21.41
Band7	20MHz	QPSK	21350	100RB#0	21.46
Band7	20MHz	16QAM	20850	1RB#0	21.52
Band7	20MHz	16QAM	20850	1RB#99	21.48
Band7	20MHz	16QAM	20850	1RB#49	21.52
Band7	20MHz	16QAM	20850	50RB#0	20.55
Band7	20MHz	16QAM	20850	50RB#25	20.54
Band7	20MHz	16QAM	20850	50RB#50	20.49
Band7	20MHz	16QAM	20850	100RB#0	20.54
Band7	20MHz	16QAM	21100	1RB#99	21.55
Band7	20MHz	16QAM	21100	1RB#0	21.62
Band7	20MHz	16QAM	21100	1RB#49	21.53
Band7	20MHz	16QAM	21100	50RB#25	20.54
Band7	20MHz	16QAM	21100	50RB#50	20.47
Band7	20MHz	16QAM	21100	50RB#0	20.52
Band7	20MHz	16QAM	21100	100RB#0	20.42
Band7	20MHz	16QAM	21350	1RB#49	21.34
Band7	20MHz	16QAM	21350	1RB#0	21.23
Band7	20MHz	16QAM	21350	1RB#99	21.17
Band7	20MHz	16QAM	21350	50RB#0	20.48
Band7	20MHz	16QAM	21350	50RB#25	20.48
Band7	20MHz	16QAM	21350	50RB#50	20.51
Band7	20MHz	16QAM	21350	100RB#0	20.46
Band12	1.4MHz	QPSK	23017	1RB#5	22.69
Band12	1.4MHz	QPSK	23017	1RB#0	22.68
Band12	1.4MHz	QPSK	23017	1RB#2	22.71
Band12	1.4MHz	QPSK	23017	3RB#3	22.61
Band12	1.4MHz	QPSK	23017	3RB#0	22.66
Band12	1.4MHz	QPSK	23017	3RB#1	22.60
Band12	1.4MHz	QPSK	23017	6RB#0	21.62

Band12	1.4MHz	QPSK	23095	1RB#0	22.60
Band12	1.4MHz	QPSK	23095	1RB#2	22.67
Band12	1.4MHz	QPSK	23095	1RB#5	22.61
Band12	1.4MHz	QPSK	23095	3RB#0	22.58
Band12	1.4MHz	QPSK	23095	3RB#3	22.60
Band12	1.4MHz	QPSK	23095	3RB#1	22.57
Band12	1.4MHz	QPSK	23095	6RB#0	21.55
Band12	1.4MHz	QPSK	23173	1RB#5	22.69
Band12	1.4MHz	QPSK	23173	1RB#0	22.72
Band12	1.4MHz	QPSK	23173	1RB#2	22.77
Band12	1.4MHz	QPSK	23173	3RB#1	22.72
Band12	1.4MHz	QPSK	23173	3RB#0	22.68
Band12	1.4MHz	QPSK	23173	3RB#3	22.69
Band12	1.4MHz	QPSK	23173	6RB#0	21.70
Band12	1.4MHz	16QAM	23017	1RB#5	21.54
Band12	1.4MHz	16QAM	23017	1RB#0	21.68
Band12	1.4MHz	16QAM	23017	1RB#2	21.47
Band12	1.4MHz	16QAM	23017	3RB#3	21.43
Band12	1.4MHz	16QAM	23017	3RB#1	21.43
Band12	1.4MHz	16QAM	23017	3RB#0	21.36
Band12	1.4MHz	16QAM	23017	6RB#0	20.58
Band12	1.4MHz	16QAM	23095	1RB#0	21.29
Band12	1.4MHz	16QAM	23095	1RB#2	21.42
Band12	1.4MHz	16QAM	23095	1RB#5	21.38
Band12	1.4MHz	16QAM	23095	3RB#1	21.36
Band12	1.4MHz	16QAM	23095	3RB#0	21.35
Band12	1.4MHz	16QAM	23095	3RB#3	21.32
Band12	1.4MHz	16QAM	23095	6RB#0	20.54
Band12	1.4MHz	16QAM	23173	1RB#0	21.73
Band12	1.4MHz	16QAM	23173	1RB#2	21.73
Band12	1.4MHz	16QAM	23173	1RB#5	21.61
Band12	1.4MHz	16QAM	23173	3RB#0	21.52
Band12	1.4MHz	16QAM	23173	3RB#3	21.43
Band12	1.4MHz	16QAM	23173	3RB#1	21.54
Band12	1.4MHz	16QAM	23173	6RB#0	20.67
Band12	3MHz	QPSK	23025	1RB#0	22.65

Band12	3MHz	QPSK	23025	1RB#8	22.60
Band12	3MHz	QPSK	23025	1RB#14	22.62
Band12	3MHz	QPSK	23025	8RB#7	21.58
Band12	3MHz	QPSK	23025	8RB#0	21.63
Band12	3MHz	QPSK	23025	8RB#4	21.59
Band12	3MHz	QPSK	23025	15RB#0	21.54
Band12	3MHz	QPSK	23095	1RB#14	22.59
Band12	3MHz	QPSK	23095	1RB#8	22.73
Band12	3MHz	QPSK	23095	1RB#0	22.64
Band12	3MHz	QPSK	23095	8RB#7	21.64
Band12	3MHz	QPSK	23095	8RB#4	21.50
Band12	3MHz	QPSK	23095	8RB#0	21.57
Band12	3MHz	QPSK	23095	15RB#0	21.55
Band12	3MHz	QPSK	23165	1RB#0	22.68
Band12	3MHz	QPSK	23165	1RB#14	22.62
Band12	3MHz	QPSK	23165	1RB#8	22.88
Band12	3MHz	QPSK	23165	8RB#0	21.71
Band12	3MHz	QPSK	23165	8RB#4	21.71
Band12	3MHz	QPSK	23165	8RB#7	21.80
Band12	3MHz	QPSK	23165	15RB#0	21.70
Band12	3MHz	16QAM	23025	1RB#14	21.53
Band12	3MHz	16QAM	23025	1RB#0	21.47
Band12	3MHz	16QAM	23025	1RB#8	21.33
Band12	3MHz	16QAM	23025	8RB#0	20.58
Band12	3MHz	16QAM	23025	8RB#4	20.62
Band12	3MHz	16QAM	23025	8RB#7	20.48
Band12	3MHz	16QAM	23025	15RB#0	20.46
Band12	3MHz	16QAM	23095	1RB#0	21.34
Band12	3MHz	16QAM	23095	1RB#8	21.41
Band12	3MHz	16QAM	23095	1RB#14	21.53
Band12	3MHz	16QAM	23095	8RB#4	20.58
Band12	3MHz	16QAM	23095	8RB#0	20.63
Band12	3MHz	16QAM	23095	8RB#7	20.66
Band12	3MHz	16QAM	23095	15RB#0	20.47
Band12	3MHz	16QAM	23165	1RB#14	21.75
Band12	3MHz	16QAM	23165	1RB#0	21.75

Band12	3MHz	16QAM	23165	1RB#8	21.90
Band12	3MHz	16QAM	23165	8RB#4	20.69
Band12	3MHz	16QAM	23165	8RB#0	20.68
Band12	3MHz	16QAM	23165	8RB#7	20.72
Band12	3MHz	16QAM	23165	15RB#0	20.72
Band12	5MHz	QPSK	23035	1RB#12	22.64
Band12	5MHz	QPSK	23035	1RB#0	22.64
Band12	5MHz	QPSK	23035	1RB#24	22.54
Band12	5MHz	QPSK	23035	12RB#6	21.64
Band12	5MHz	QPSK	23035	12RB#13	21.64
Band12	5MHz	QPSK	23035	12RB#0	21.63
Band12	5MHz	QPSK	23035	25RB#0	21.60
Band12	5MHz	QPSK	23095	1RB#24	22.75
Band12	5MHz	QPSK	23095	1RB#12	22.75
Band12	5MHz	QPSK	23095	1RB#0	22.70
Band12	5MHz	QPSK	23095	12RB#6	21.60
Band12	5MHz	QPSK	23095	12RB#13	21.60
Band12	5MHz	QPSK	23095	12RB#0	21.68
Band12	5MHz	QPSK	23095	25RB#0	21.64
Band12	5MHz	QPSK	23155	1RB#24	22.74
Band12	5MHz	QPSK	23155	1RB#0	22.81
Band12	5MHz	QPSK	23155	1RB#12	22.76
Band12	5MHz	QPSK	23155	12RB#6	21.71
Band12	5MHz	QPSK	23155	12RB#13	21.83
Band12	5MHz	QPSK	23155	12RB#0	21.75
Band12	5MHz	QPSK	23155	25RB#0	21.69
Band12	5MHz	16QAM	23035	1RB#0	21.87
Band12	5MHz	16QAM	23035	1RB#12	21.69
Band12	5MHz	16QAM	23035	1RB#24	21.57
Band12	5MHz	16QAM	23035	12RB#13	20.66
Band12	5MHz	16QAM	23035	12RB#6	20.73
Band12	5MHz	16QAM	23035	12RB#0	20.68
Band12	5MHz	16QAM	23035	25RB#0	20.51
Band12	5MHz	16QAM	23095	1RB#0	21.53
Band12	5MHz	16QAM	23095	1RB#12	21.52
Band12	5MHz	16QAM	23095	1RB#24	21.62

Band12	5MHz	16QAM	23095	12RB#6	20.67
Band12	5MHz	16QAM	23095	12RB#0	20.68
Band12	5MHz	16QAM	23095	12RB#13	20.65
Band12	5MHz	16QAM	23095	25RB#0	20.64
Band12	5MHz	16QAM	23155	1RB#0	21.65
Band12	5MHz	16QAM	23155	1RB#12	21.67
Band12	5MHz	16QAM	23155	1RB#24	21.72
Band12	5MHz	16QAM	23155	12RB#6	20.70
Band12	5MHz	16QAM	23155	12RB#0	20.67
Band12	5MHz	16QAM	23155	12RB#13	20.73
Band12	5MHz	16QAM	23155	25RB#0	20.71
Band12	10MHz	QPSK	23060	1RB#24	22.57
Band12	10MHz	QPSK	23060	1RB#0	22.89
Band12	10MHz	QPSK	23060	1RB#49	22.81
Band12	10MHz	QPSK	23060	25RB#12	21.65
Band12	10MHz	QPSK	23060	25RB#25	21.63
Band12	10MHz	QPSK	23060	25RB#0	21.63
Band12	10MHz	QPSK	23060	50RB#0	21.57
Band12	10MHz	QPSK	23095	1RB#0	22.85
Band12	10MHz	QPSK	23095	1RB#49	22.84
Band12	10MHz	QPSK	23095	1RB#24	22.63
Band12	10MHz	QPSK	23095	25RB#0	21.63
Band12	10MHz	QPSK	23095	25RB#12	21.60
Band12	10MHz	QPSK	23095	25RB#25	21.69
Band12	10MHz	QPSK	23095	50RB#0	21.67
Band12	10MHz	QPSK	23130	1RB#0	22.82
Band12	10MHz	QPSK	23130	1RB#24	22.65
Band12	10MHz	QPSK	23130	1RB#49	22.86
Band12	10MHz	QPSK	23130	25RB#25	21.71
Band12	10MHz	QPSK	23130	25RB#12	21.68
Band12	10MHz	QPSK	23130	25RB#0	21.67
Band12	10MHz	QPSK	23130	50RB#0	21.68
Band12	10MHz	16QAM	23060	1RB#24	21.28
Band12	10MHz	16QAM	23060	1RB#49	21.62
Band12	10MHz	16QAM	23060	1RB#0	21.82
Band12	10MHz	16QAM	23060	25RB#0	20.66

Band12	10MHz	16QAM	23060	25RB#12	20.67
Band12	10MHz	16QAM	23060	25RB#25	20.70
Band12	10MHz	16QAM	23060	50RB#0	20.59
Band12	10MHz	16QAM	23095	1RB#0	21.64
Band12	10MHz	16QAM	23095	1RB#24	21.42
Band12	10MHz	16QAM	23095	1RB#49	21.66
Band12	10MHz	16QAM	23095	25RB#25	20.72
Band12	10MHz	16QAM	23095	25RB#12	20.70
Band12	10MHz	16QAM	23095	25RB#0	20.67
Band12	10MHz	16QAM	23095	50RB#0	20.69
Band12	10MHz	16QAM	23130	1RB#24	21.71
Band12	10MHz	16QAM	23130	1RB#49	21.95
Band12	10MHz	16QAM	23130	1RB#0	21.98
Band12	10MHz	16QAM	23130	25RB#0	20.66
Band12	10MHz	16QAM	23130	25RB#12	20.67
Band12	10MHz	16QAM	23130	25RB#25	20.64
Band12	10MHz	16QAM	23130	50RB#0	20.67
Band17	5MHz	QPSK	23755	1RB#0	22.84
Band17	5MHz	QPSK	23755	1RB#12	22.83
Band17	5MHz	QPSK	23755	1RB#24	22.73
Band17	5MHz	QPSK	23755	12RB#6	21.73
Band17	5MHz	QPSK	23755	12RB#13	21.71
Band17	5MHz	QPSK	23755	12RB#0	21.73
Band17	5MHz	QPSK	23755	25RB#0	21.74
Band17	5MHz	QPSK	23790	1RB#0	22.79
Band17	5MHz	QPSK	23790	1RB#24	22.80
Band17	5MHz	QPSK	23790	1RB#12	22.88
Band17	5MHz	QPSK	23790	12RB#6	21.71
Band17	5MHz	QPSK	23790	12RB#13	21.80
Band17	5MHz	QPSK	23790	12RB#0	21.70
Band17	5MHz	QPSK	23790	25RB#0	21.79
Band17	5MHz	QPSK	23825	1RB#0	22.93
Band17	5MHz	QPSK	23825	1RB#24	22.90
Band17	5MHz	QPSK	23825	1RB#12	22.97
Band17	5MHz	QPSK	23825	12RB#0	21.83
Band17	5MHz	QPSK	23825	12RB#13	21.91

Band17	5MHz	QPSK	23825	12RB#6	21.82
Band17	5MHz	QPSK	23825	25RB#0	21.87
Band17	5MHz	16QAM	23755	1RB#24	21.94
Band17	5MHz	16QAM	23755	1RB#12	21.82
Band17	5MHz	16QAM	23755	1RB#0	21.96
Band17	5MHz	16QAM	23755	12RB#0	20.85
Band17	5MHz	16QAM	23755	12RB#13	20.77
Band17	5MHz	16QAM	23755	12RB#6	20.78
Band17	5MHz	16QAM	23755	25RB#0	20.72
Band17	5MHz	16QAM	23790	1RB#24	21.69
Band17	5MHz	16QAM	23790	1RB#12	21.71
Band17	5MHz	16QAM	23790	1RB#0	21.68
Band17	5MHz	16QAM	23790	12RB#6	20.75
Band17	5MHz	16QAM	23790	12RB#0	20.74
Band17	5MHz	16QAM	23790	12RB#13	20.78
Band17	5MHz	16QAM	23790	25RB#0	20.78
Band17	5MHz	16QAM	23825	1RB#0	21.79
Band17	5MHz	16QAM	23825	1RB#12	21.81
Band17	5MHz	16QAM	23825	1RB#24	21.90
Band17	5MHz	16QAM	23825	12RB#13	20.88
Band17	5MHz	16QAM	23825	12RB#0	20.85
Band17	5MHz	16QAM	23825	12RB#6	20.82
Band17	5MHz	16QAM	23825	25RB#0	20.90
Band17	10MHz	QPSK	23780	1RB#0	23.03
Band17	10MHz	QPSK	23780	1RB#24	22.78
Band17	10MHz	QPSK	23780	1RB#49	23.02
Band17	10MHz	QPSK	23780	25RB#25	21.81
Band17	10MHz	QPSK	23780	25RB#12	21.79
Band17	10MHz	QPSK	23780	25RB#0	21.78
Band17	10MHz	QPSK	23780	50RB#0	21.79
Band17	10MHz	QPSK	23790	1RB#0	23.02
Band17	10MHz	QPSK	23790	1RB#24	22.81
Band17	10MHz	QPSK	23790	1RB#49	23.06
Band17	10MHz	QPSK	23790	25RB#25	21.86
Band17	10MHz	QPSK	23790	25RB#12	21.77
Band17	10MHz	QPSK	23790	25RB#0	21.81



Band17	10MHz	QPSK	23790	50RB#0	21.80
Band17	10MHz	QPSK	23800	1RB#0	22.96
Band17	10MHz	QPSK	23800	1RB#24	22.75
Band17	10MHz	QPSK	23800	1RB#49	23.14
Band17	10MHz	QPSK	23800	25RB#0	21.78
Band17	10MHz	QPSK	23800	25RB#12	21.79
Band17	10MHz	QPSK	23800	25RB#25	21.86
Band17	10MHz	QPSK	23800	50RB#0	21.86
Band17	10MHz	16QAM	23780	1RB#24	21.59
Band17	10MHz	16QAM	23780	1RB#49	21.86
Band17	10MHz	16QAM	23780	1RB#0	21.98
Band17	10MHz	16QAM	23780	25RB#25	20.82
Band17	10MHz	16QAM	23780	25RB#0	20.83
Band17	10MHz	16QAM	23780	25RB#12	20.84
Band17	10MHz	16QAM	23780	50RB#0	20.82
Band17	10MHz	16QAM	23790	1RB#49	21.85
Band17	10MHz	16QAM	23790	1RB#24	21.54
Band17	10MHz	16QAM	23790	1RB#0	21.76
Band17	10MHz	16QAM	23790	25RB#25	20.88
Band17	10MHz	16QAM	23790	25RB#12	20.81
Band17	10MHz	16QAM	23790	25RB#0	20.82
Band17	10MHz	16QAM	23790	50RB#0	20.83
Band17	10MHz	16QAM	23800	1RB#49	22.07
Band17	10MHz	16QAM	23800	1RB#24	21.71
Band17	10MHz	16QAM	23800	1RB#0	22.02
Band17	10MHz	16QAM	23800	25RB#0	20.79
Band17	10MHz	16QAM	23800	25RB#12	20.77
Band17	10MHz	16QAM	23800	25RB#25	20.89
Band17	10MHz	16QAM	23800	50RB#0	20.82
Band26	1.4MHz	QPSK	26697	1RB#0	22.41
Band26	1.4MHz	QPSK	26697	1RB#3	22.37
Band26	1.4MHz	QPSK	26697	1RB#5	22.32
Band26	1.4MHz	QPSK	26697	3RB#3	22.31
Band26	1.4MHz	QPSK	26697	3RB#0	22.35
Band26	1.4MHz	QPSK	26697	3RB#2	22.31
Band26	1.4MHz	QPSK	26697	6RB#0	21.35

Band26	1.4MHz	QPSK	26740	1RB#0	22.24
Band26	1.4MHz	QPSK	26740	1RB#3	22.26
Band26	1.4MHz	QPSK	26740	1RB#5	22.16
Band26	1.4MHz	QPSK	26740	3RB#3	22.14
Band26	1.4MHz	QPSK	26740	3RB#2	22.22
Band26	1.4MHz	QPSK	26740	3RB#0	22.25
Band26	1.4MHz	QPSK	26740	6RB#0	21.22
Band26	1.4MHz	QPSK	26783	1RB#5	22.18
Band26	1.4MHz	QPSK	26783	1RB#3	22.32
Band26	1.4MHz	QPSK	26783	1RB#0	22.23
Band26	1.4MHz	QPSK	26783	3RB#0	22.29
Band26	1.4MHz	QPSK	26783	3RB#3	22.17
Band26	1.4MHz	QPSK	26783	3RB#2	22.26
Band26	1.4MHz	QPSK	26783	6RB#0	21.29
Band26	1.4MHz	16QAM	26697	1RB#0	21.17
Band26	1.4MHz	16QAM	26697	1RB#3	21.21
Band26	1.4MHz	16QAM	26697	1RB#5	21.12
Band26	1.4MHz	16QAM	26697	3RB#3	21.12
Band26	1.4MHz	16QAM	26697	3RB#0	21.12
Band26	1.4MHz	16QAM	26697	3RB#2	21.16
Band26	1.4MHz	16QAM	26697	6RB#0	20.22
Band26	1.4MHz	16QAM	26740	1RB#3	21.01
Band26	1.4MHz	16QAM	26740	1RB#5	20.91
Band26	1.4MHz	16QAM	26740	1RB#0	21.00
Band26	1.4MHz	16QAM	26740	3RB#3	20.86
Band26	1.4MHz	16QAM	26740	3RB#2	20.97
Band26	1.4MHz	16QAM	26740	3RB#0	20.95
Band26	1.4MHz	16QAM	26740	6RB#0	20.18
Band26	1.4MHz	16QAM	26783	1RB#3	21.28
Band26	1.4MHz	16QAM	26783	1RB#0	21.19
Band26	1.4MHz	16QAM	26783	1RB#5	21.11
Band26	1.4MHz	16QAM	26783	3RB#0	21.02
Band26	1.4MHz	16QAM	26783	3RB#2	21.03
Band26	1.4MHz	16QAM	26783	3RB#3	20.94
Band26	1.4MHz	16QAM	26783	6RB#0	20.28
Band26	3MHz	QPSK	26705	1RB#7	22.36

Band26	3MHz	QPSK	26705	1RB#14	22.31
Band26	3MHz	QPSK	26705	1RB#0	22.47
Band26	3MHz	QPSK	26705	8RB#0	21.39
Band26	3MHz	QPSK	26705	8RB#4	21.42
Band26	3MHz	QPSK	26705	8RB#7	21.23
Band26	3MHz	QPSK	26705	15RB#0	21.27
Band26	3MHz	QPSK	26740	1RB#14	22.22
Band26	3MHz	QPSK	26740	1RB#0	22.26
Band26	3MHz	QPSK	26740	1RB#7	22.35
Band26	3MHz	QPSK	26740	8RB#7	21.17
Band26	3MHz	QPSK	26740	8RB#0	21.22
Band26	3MHz	QPSK	26740	8RB#4	21.25
Band26	3MHz	QPSK	26740	15RB#0	21.25
Band26	3MHz	QPSK	26775	1RB#14	22.23
Band26	3MHz	QPSK	26775	1RB#0	22.31
Band26	3MHz	QPSK	26775	1RB#7	22.32
Band26	3MHz	QPSK	26775	8RB#7	21.33
Band26	3MHz	QPSK	26775	8RB#0	21.23
Band26	3MHz	QPSK	26775	8RB#4	21.23
Band26	3MHz	QPSK	26775	15RB#0	21.27
Band26	3MHz	16QAM	26705	1RB#14	21.07
Band26	3MHz	16QAM	26705	1RB#0	21.24
Band26	3MHz	16QAM	26705	1RB#7	21.17
Band26	3MHz	16QAM	26705	8RB#0	20.35
Band26	3MHz	16QAM	26705	8RB#4	20.37
Band26	3MHz	16QAM	26705	8RB#7	20.24
Band26	3MHz	16QAM	26705	15RB#0	20.15
Band26	3MHz	16QAM	26740	1RB#0	20.98
Band26	3MHz	16QAM	26740	1RB#7	21.06
Band26	3MHz	16QAM	26740	1RB#14	20.99
Band26	3MHz	16QAM	26740	8RB#7	20.21
Band26	3MHz	16QAM	26740	8RB#0	20.25
Band26	3MHz	16QAM	26740	8RB#4	20.22
Band26	3MHz	16QAM	26740	15RB#0	20.16
Band26	3MHz	16QAM	26775	1RB#14	21.22
Band26	3MHz	16QAM	26775	1RB#0	21.24

Band26	3MHz	16QAM	26775	1RB#7	21.34
Band26	3MHz	16QAM	26775	8RB#4	20.24
Band26	3MHz	16QAM	26775	8RB#0	20.24
Band26	3MHz	16QAM	26775	8RB#7	20.34
Band26	3MHz	16QAM	26775	15RB#0	20.28
Band26	5MHz	QPSK	26715	1RB#24	22.27
Band26	5MHz	QPSK	26715	1RB#0	22.43
Band26	5MHz	QPSK	26715	1RB#12	22.33
Band26	5MHz	QPSK	26715	12RB#0	21.28
Band26	5MHz	QPSK	26715	12RB#6	21.24
Band26	5MHz	QPSK	26715	12RB#13	21.22
Band26	5MHz	QPSK	26715	25RB#0	21.26
Band26	5MHz	QPSK	26740	1RB#24	22.33
Band26	5MHz	QPSK	26740	1RB#12	22.38
Band26	5MHz	QPSK	26740	1RB#0	22.37
Band26	5MHz	QPSK	26740	12RB#0	21.20
Band26	5MHz	QPSK	26740	12RB#6	21.22
Band26	5MHz	QPSK	26740	12RB#13	21.25
Band26	5MHz	QPSK	26740	25RB#0	21.27
Band26	5MHz	QPSK	26765	1RB#24	22.34
Band26	5MHz	QPSK	26765	1RB#12	22.29
Band26	5MHz	QPSK	26765	1RB#0	22.26
Band26	5MHz	QPSK	26765	12RB#0	21.21
Band26	5MHz	QPSK	26765	12RB#13	21.28
Band26	5MHz	QPSK	26765	12RB#6	21.21
Band26	5MHz	QPSK	26765	25RB#0	21.20
Band26	5MHz	16QAM	26715	1RB#0	21.56
Band26	5MHz	16QAM	26715	1RB#12	21.39
Band26	5MHz	16QAM	26715	1RB#24	21.34
Band26	5MHz	16QAM	26715	12RB#0	20.33
Band26	5MHz	16QAM	26715	12RB#6	20.34
Band26	5MHz	16QAM	26715	12RB#13	20.26
Band26	5MHz	16QAM	26715	25RB#0	20.29
Band26	5MHz	16QAM	26740	1RB#24	21.19
Band26	5MHz	16QAM	26740	1RB#0	21.22
Band26	5MHz	16QAM	26740	1RB#12	21.21

Band26	5MHz	16QAM	26740	12RB#6	20.27
Band26	5MHz	16QAM	26740	12RB#13	20.25
Band26	5MHz	16QAM	26740	12RB#0	20.26
Band26	5MHz	16QAM	26740	25RB#0	20.31
Band26	5MHz	16QAM	26765	1RB#24	21.19
Band26	5MHz	16QAM	26765	1RB#12	21.20
Band26	5MHz	16QAM	26765	1RB#0	21.08
Band26	5MHz	16QAM	26765	12RB#6	20.25
Band26	5MHz	16QAM	26765	12RB#13	20.23
Band26	5MHz	16QAM	26765	12RB#0	20.24
Band26	5MHz	16QAM	26765	25RB#0	20.23
Band26	10MHz	QPSK	26740	1RB#0	22.64
Band26	10MHz	QPSK	26740	1RB#49	22.67
Band26	10MHz	QPSK	26740	1RB#24	22.30
Band26	10MHz	QPSK	26740	25RB#0	21.32
Band26	10MHz	QPSK	26740	25RB#25	21.34
Band26	10MHz	QPSK	26740	25RB#12	21.35
Band26	10MHz	QPSK	26740	50RB#0	21.37
Band26	10MHz	16QAM	26740	1RB#0	21.52
Band26	10MHz	16QAM	26740	1RB#24	21.11
Band26	10MHz	16QAM	26740	1RB#49	21.45
Band26	10MHz	16QAM	26740	25RB#25	20.43
Band26	10MHz	16QAM	26740	25RB#0	20.37
Band26	10MHz	16QAM	26740	25RB#12	20.38
Band26	10MHz	16QAM	26740	50RB#0	20.35
Band38	5MHz	QPSK	37775	1RB#12	22.89
Band38	5MHz	QPSK	37775	1RB#24	22.84
Band38	5MHz	QPSK	37775	1RB#0	22.90
Band38	5MHz	QPSK	37775	12RB#13	22.03
Band38	5MHz	QPSK	37775	12RB#6	22.04
Band38	5MHz	QPSK	37775	12RB#0	22.05
Band38	5MHz	QPSK	37775	25RB#0	21.96
Band38	5MHz	QPSK	38000	1RB#12	22.97
Band38	5MHz	QPSK	38000	1RB#24	22.97
Band38	5MHz	QPSK	38000	1RB#0	23.04
Band38	5MHz	QPSK	38000	12RB#6	21.93

Band38	5MHz	QPSK	38000	12RB#13	21.91
Band38	5MHz	QPSK	38000	12RB#0	21.94
Band38	5MHz	QPSK	38000	25RB#0	22.00
Band38	5MHz	QPSK	38225	1RB#0	22.86
Band38	5MHz	QPSK	38225	1RB#12	22.83
Band38	5MHz	QPSK	38225	1RB#24	22.81
Band38	5MHz	QPSK	38225	12RB#6	21.83
Band38	5MHz	QPSK	38225	12RB#0	21.82
Band38	5MHz	QPSK	38225	12RB#13	21.81
Band38	5MHz	QPSK	38225	25RB#0	21.79
Band38	5MHz	16QAM	37775	1RB#12	22.04
Band38	5MHz	16QAM	37775	1RB#24	22.01
Band38	5MHz	16QAM	37775	1RB#0	22.05
Band38	5MHz	16QAM	37775	12RB#0	21.06
Band38	5MHz	16QAM	37775	12RB#6	21.08
Band38	5MHz	16QAM	37775	12RB#13	21.05
Band38	5MHz	16QAM	37775	25RB#0	20.91
Band38	5MHz	16QAM	38000	1RB#12	21.86
Band38	5MHz	16QAM	38000	1RB#24	22.04
Band38	5MHz	16QAM	38000	1RB#0	22.00
Band38	5MHz	16QAM	38000	12RB#13	20.92
Band38	5MHz	16QAM	38000	12RB#0	20.97
Band38	5MHz	16QAM	38000	12RB#6	20.98
Band38	5MHz	16QAM	38000	25RB#0	21.03
Band38	5MHz	16QAM	38225	1RB#24	21.69
Band38	5MHz	16QAM	38225	1RB#12	21.72
Band38	5MHz	16QAM	38225	1RB#0	21.80
Band38	5MHz	16QAM	38225	12RB#0	20.80
Band38	5MHz	16QAM	38225	12RB#6	20.79
Band38	5MHz	16QAM	38225	12RB#13	20.80
Band38	5MHz	16QAM	38225	25RB#0	20.74
Band38	10MHz	QPSK	37800	1RB#0	22.87
Band38	10MHz	QPSK	37800	1RB#24	22.63
Band38	10MHz	QPSK	37800	1RB#49	22.97
Band38	10MHz	QPSK	37800	25RB#12	21.76
Band38	10MHz	QPSK	37800	25RB#0	21.78

Band38	10MHz	QPSK	37800	25RB#25	21.85
Band38	10MHz	QPSK	37800	50RB#0	21.83
Band38	10MHz	QPSK	38000	1RB#0	23.04
Band38	10MHz	QPSK	38000	1RB#24	22.80
Band38	10MHz	QPSK	38000	1RB#49	23.00
Band38	10MHz	QPSK	38000	25RB#25	21.93
Band38	10MHz	QPSK	38000	25RB#12	21.87
Band38	10MHz	QPSK	38000	25RB#0	21.86
Band38	10MHz	QPSK	38000	50RB#0	21.92
Band38	10MHz	QPSK	38200	1RB#24	22.52
Band38	10MHz	QPSK	38200	1RB#49	23.05
Band38	10MHz	QPSK	38200	1RB#0	22.94
Band38	10MHz	QPSK	38200	25RB#0	21.62
Band38	10MHz	QPSK	38200	25RB#12	21.64
Band38	10MHz	QPSK	38200	25RB#25	21.70
Band38	10MHz	QPSK	38200	50RB#0	21.66
Band38	10MHz	16QAM	37800	1RB#0	21.96
Band38	10MHz	16QAM	37800	1RB#24	21.73
Band38	10MHz	16QAM	37800	1RB#49	21.98
Band38	10MHz	16QAM	37800	25RB#25	20.80
Band38	10MHz	16QAM	37800	25RB#0	20.75
Band38	10MHz	16QAM	37800	25RB#12	20.74
Band38	10MHz	16QAM	37800	50RB#0	20.80
Band38	10MHz	16QAM	38000	1RB#0	21.98
Band38	10MHz	16QAM	38000	1RB#24	21.65
Band38	10MHz	16QAM	38000	1RB#49	21.88
Band38	10MHz	16QAM	38000	25RB#0	20.91
Band38	10MHz	16QAM	38000	25RB#12	20.90
Band38	10MHz	16QAM	38000	25RB#25	20.95
Band38	10MHz	16QAM	38000	50RB#0	20.88
Band38	10MHz	16QAM	38200	1RB#49	21.80
Band38	10MHz	16QAM	38200	1RB#24	21.37
Band38	10MHz	16QAM	38200	1RB#0	21.69
Band38	10MHz	16QAM	38200	25RB#0	20.66
Band38	10MHz	16QAM	38200	25RB#25	20.66
Band38	10MHz	16QAM	38200	25RB#12	20.69

Band38	10MHz	16QAM	38200	50RB#0	20.66
Band38	15MHz	QPSK	37825	1RB#0	22.86
Band38	15MHz	QPSK	37825	1RB#38	22.68
Band38	15MHz	QPSK	37825	1RB#74	23.06
Band38	15MHz	QPSK	37825	38RB#0	22.05
Band38	15MHz	QPSK	37825	38RB#18	21.84
Band38	15MHz	QPSK	37825	38RB#37	22.27
Band38	15MHz	QPSK	37825	75RB#0	21.86
Band38	15MHz	QPSK	38000	1RB#38	22.72
Band38	15MHz	QPSK	38000	1RB#74	23.11
Band38	15MHz	QPSK	38000	1RB#0	22.94
Band38	15MHz	QPSK	38000	38RB#0	21.63
Band38	15MHz	QPSK	38000	38RB#18	21.46
Band38	15MHz	QPSK	38000	38RB#37	21.87
Band38	15MHz	QPSK	38000	75RB#0	21.79
Band38	15MHz	QPSK	38175	1RB#0	22.72
Band38	15MHz	QPSK	38175	1RB#38	22.60
Band38	15MHz	QPSK	38175	1RB#74	23.00
Band38	15MHz	QPSK	38175	38RB#0	21.79
Band38	15MHz	QPSK	38175	38RB#18	21.63
Band38	15MHz	QPSK	38175	38RB#37	21.98
Band38	15MHz	QPSK	38175	75RB#0	21.67
Band38	15MHz	16QAM	37825	1RB#38	21.85
Band38	15MHz	16QAM	37825	1RB#0	22.06
Band38	15MHz	16QAM	37825	1RB#74	22.26
Band38	15MHz	16QAM	37825	38RB#18	21.85
Band38	15MHz	16QAM	37825	38RB#37	22.28
Band38	15MHz	16QAM	37825	38RB#0	22.03
Band38	15MHz	16QAM	37825	75RB#0	20.87
Band38	15MHz	16QAM	38000	1RB#38	21.48
Band38	15MHz	16QAM	38000	1RB#0	21.69
Band38	15MHz	16QAM	38000	1RB#74	21.85
Band38	15MHz	16QAM	38000	38RB#18	21.46
Band38	15MHz	16QAM	38000	38RB#37	21.88
Band38	15MHz	16QAM	38000	38RB#0	21.66
Band38	15MHz	16QAM	38000	75RB#0	20.85



Band38	15MHz	16QAM	38175	1RB#0	21.84
Band38	15MHz	16QAM	38175	1RB#38	21.57
Band38	15MHz	16QAM	38175	1RB#74	22.01
Band38	15MHz	16QAM	38175	38RB#18	21.65
Band38	15MHz	16QAM	38175	38RB#0	21.84
Band38	15MHz	16QAM	38175	38RB#37	21.99
Band38	15MHz	16QAM	38175	75RB#0	20.58
Band38	20MHz	QPSK	37850	1RB#0	22.80
Band38	20MHz	QPSK	37850	1RB#49	22.75
Band38	20MHz	QPSK	37850	1RB#99	23.02
Band38	20MHz	QPSK	37850	50RB#0	21.79
Band38	20MHz	QPSK	37850	50RB#25	21.78
Band38	20MHz	QPSK	37850	50RB#50	21.95
Band38	20MHz	QPSK	37850	100RB#0	21.89
Band38	20MHz	QPSK	38000	1RB#49	22.77
Band38	20MHz	QPSK	38000	1RB#99	23.16
Band38	20MHz	QPSK	38000	1RB#0	22.83
Band38	20MHz	QPSK	38000	50RB#25	21.76
Band38	20MHz	QPSK	38000	50RB#50	22.00
Band38	20MHz	QPSK	38000	50RB#0	21.79
Band38	20MHz	QPSK	38000	100RB#0	21.86
Band38	20MHz	QPSK	38150	1RB#49	22.72
Band38	20MHz	QPSK	38150	1RB#99	23.03
Band38	20MHz	QPSK	38150	1RB#0	22.73
Band38	20MHz	QPSK	38150	50RB#25	21.62
Band38	20MHz	QPSK	38150	50RB#0	21.65
Band38	20MHz	QPSK	38150	50RB#50	21.77
Band38	20MHz	QPSK	38150	100RB#0	21.72
Band38	20MHz	16QAM	37850	1RB#49	21.91
Band38	20MHz	16QAM	37850	1RB#0	21.93
Band38	20MHz	16QAM	37850	1RB#99	22.19
Band38	20MHz	16QAM	37850	50RB#25	20.76
Band38	20MHz	16QAM	37850	50RB#50	20.94
Band38	20MHz	16QAM	37850	50RB#0	20.78
Band38	20MHz	16QAM	37850	100RB#0	20.85
Band38	20MHz	16QAM	38000	1RB#99	21.95

Band38	20MHz	16QAM	38000	1RB#49	21.55
Band38	20MHz	16QAM	38000	1RB#0	21.61
Band38	20MHz	16QAM	38000	50RB#0	20.83
Band38	20MHz	16QAM	38000	50RB#50	20.98
Band38	20MHz	16QAM	38000	50RB#25	20.82
Band38	20MHz	16QAM	38000	100RB#0	20.89
Band38	20MHz	16QAM	38150	1RB#49	21.68
Band38	20MHz	16QAM	38150	1RB#99	21.95
Band38	20MHz	16QAM	38150	1RB#0	21.60
Band38	20MHz	16QAM	38150	50RB#50	20.76
Band38	20MHz	16QAM	38150	50RB#25	20.59
Band38	20MHz	16QAM	38150	50RB#0	20.66
Band38	20MHz	16QAM	38150	100RB#0	20.71
Band41	5MHz	QPSK	40065	1RB#0	23.38
Band41	5MHz	QPSK	40065	1RB#24	23.31
Band41	5MHz	QPSK	40065	1RB#12	23.37
Band41	5MHz	QPSK	40065	12RB#13	22.34
Band41	5MHz	QPSK	40065	12RB#0	22.39
Band41	5MHz	QPSK	40065	12RB#6	22.40
Band41	5MHz	QPSK	40065	25RB#0	22.37
Band41	5MHz	QPSK	40590	1RB#12	23.19
Band41	5MHz	QPSK	40590	1RB#0	23.15
Band41	5MHz	QPSK	40590	1RB#24	23.11
Band41	5MHz	QPSK	40590	12RB#6	22.18
Band41	5MHz	QPSK	40590	12RB#0	22.14
Band41	5MHz	QPSK	40590	12RB#13	22.09
Band41	5MHz	QPSK	40590	25RB#0	22.21
Band41	5MHz	QPSK	41215	1RB#0	23.02
Band41	5MHz	QPSK	41215	1RB#12	22.90
Band41	5MHz	QPSK	41215	1RB#24	23.03
Band41	5MHz	QPSK	41215	12RB#13	21.86
Band41	5MHz	QPSK	41215	12RB#6	22.02
Band41	5MHz	QPSK	41215	12RB#0	22.05
Band41	5MHz	QPSK	41215	25RB#0	21.94
Band41	5MHz	16QAM	40065	1RB#0	22.53
Band41	5MHz	16QAM	40065	1RB#12	22.46

Band41	5MHz	16QAM	40065	1RB#24	22.37
Band41	5MHz	16QAM	40065	12RB#6	21.45
Band41	5MHz	16QAM	40065	12RB#13	21.36
Band41	5MHz	16QAM	40065	12RB#0	21.46
Band41	5MHz	16QAM	40065	25RB#0	21.28
Band41	5MHz	16QAM	40590	1RB#12	22.13
Band41	5MHz	16QAM	40590	1RB#0	22.26
Band41	5MHz	16QAM	40590	1RB#24	22.13
Band41	5MHz	16QAM	40590	12RB#6	21.18
Band41	5MHz	16QAM	40590	12RB#13	21.07
Band41	5MHz	16QAM	40590	12RB#0	21.16
Band41	5MHz	16QAM	40590	25RB#0	21.23
Band41	5MHz	16QAM	41215	1RB#12	21.82
Band41	5MHz	16QAM	41215	1RB#0	21.97
Band41	5MHz	16QAM	41215	1RB#24	21.85
Band41	5MHz	16QAM	41215	12RB#0	21.00
Band41	5MHz	16QAM	41215	12RB#6	21.11
Band41	5MHz	16QAM	41215	12RB#13	20.85
Band41	5MHz	16QAM	41215	25RB#0	20.96
Band41	10MHz	QPSK	40090	1RB#24	23.32
Band41	10MHz	QPSK	40090	1RB#49	23.45
Band41	10MHz	QPSK	40090	1RB#0	23.60
Band41	10MHz	QPSK	40090	25RB#0	22.38
Band41	10MHz	QPSK	40090	25RB#12	22.40
Band41	10MHz	QPSK	40090	25RB#25	22.35
Band41	10MHz	QPSK	40090	50RB#0	22.31
Band41	10MHz	QPSK	40590	1RB#24	22.97
Band41	10MHz	QPSK	40590	1RB#49	23.19
Band41	10MHz	QPSK	40590	1RB#0	23.31
Band41	10MHz	QPSK	40590	25RB#12	22.17
Band41	10MHz	QPSK	40590	25RB#25	22.17
Band41	10MHz	QPSK	40590	25RB#0	22.16
Band41	10MHz	QPSK	40590	50RB#0	22.07
Band41	10MHz	QPSK	41190	1RB#49	22.97
Band41	10MHz	QPSK	41190	1RB#0	23.15
Band41	10MHz	QPSK	41190	1RB#24	22.84

Band41	10MHz	QPSK	41190	25RB#0	22.00
Band41	10MHz	QPSK	41190	25RB#12	21.97
Band41	10MHz	QPSK	41190	25RB#25	22.03
Band41	10MHz	QPSK	41190	50RB#0	22.14
Band41	10MHz	16QAM	40090	1RB#49	22.32
Band41	10MHz	16QAM	40090	1RB#0	22.43
Band41	10MHz	16QAM	40090	1RB#24	22.17
Band41	10MHz	16QAM	40090	25RB#25	21.29
Band41	10MHz	16QAM	40090	25RB#0	21.37
Band41	10MHz	16QAM	40090	25RB#12	21.37
Band41	10MHz	16QAM	40090	50RB#0	21.32
Band41	10MHz	16QAM	40590	1RB#0	22.06
Band41	10MHz	16QAM	40590	1RB#24	21.78
Band41	10MHz	16QAM	40590	1RB#49	22.00
Band41	10MHz	16QAM	40590	25RB#0	21.17
Band41	10MHz	16QAM	40590	25RB#12	21.15
Band41	10MHz	16QAM	40590	25RB#25	21.11
Band41	10MHz	16QAM	40590	50RB#0	21.08
Band41	10MHz	16QAM	41190	1RB#0	22.24
Band41	10MHz	16QAM	41190	1RB#24	21.89
Band41	10MHz	16QAM	41190	1RB#49	22.02
Band41	10MHz	16QAM	41190	25RB#12	20.90
Band41	10MHz	16QAM	41190	25RB#25	20.93
Band41	10MHz	16QAM	41190	25RB#0	20.93
Band41	10MHz	16QAM	41190	50RB#0	21.05
Band41	15MHz	QPSK	40115	1RB#0	23.45
Band41	15MHz	QPSK	40115	1RB#74	23.51
Band41	15MHz	QPSK	40115	1RB#38	23.19
Band41	15MHz	QPSK	40115	38RB#0	22.62
Band41	15MHz	QPSK	40115	38RB#18	22.30
Band41	15MHz	QPSK	40115	38RB#37	22.62
Band41	15MHz	QPSK	40115	75RB#0	22.32
Band41	15MHz	QPSK	40590	1RB#38	23.10
Band41	15MHz	QPSK	40590	1RB#0	23.20
Band41	15MHz	QPSK	40590	1RB#74	23.24
Band41	15MHz	QPSK	40590	38RB#18	21.77

Band41	15MHz	QPSK	40590	38RB#37	22.01
Band41	15MHz	QPSK	40590	38RB#0	22.00
Band41	15MHz	QPSK	40590	75RB#0	21.98
Band41	15MHz	QPSK	41165	1RB#74	23.16
Band41	15MHz	QPSK	41165	1RB#38	22.82
Band41	15MHz	QPSK	41165	1RB#0	23.08
Band41	15MHz	QPSK	41165	38RB#0	22.10
Band41	15MHz	QPSK	41165	38RB#18	21.88
Band41	15MHz	QPSK	41165	38RB#37	22.21
Band41	15MHz	QPSK	41165	75RB#0	21.99
Band41	15MHz	16QAM	40115	1RB#0	22.66
Band41	15MHz	16QAM	40115	1RB#38	22.29
Band41	15MHz	16QAM	40115	1RB#74	22.65
Band41	15MHz	16QAM	40115	38RB#0	22.67
Band41	15MHz	16QAM	40115	38RB#37	22.65
Band41	15MHz	16QAM	40115	38RB#18	22.30
Band41	15MHz	16QAM	40115	75RB#0	21.31
Band41	15MHz	16QAM	40590	1RB#74	22.02
Band41	15MHz	16QAM	40590	1RB#0	22.00
Band41	15MHz	16QAM	40590	1RB#38	21.77
Band41	15MHz	16QAM	40590	38RB#18	21.79
Band41	15MHz	16QAM	40590	38RB#37	22.00
Band41	15MHz	16QAM	40590	38RB#0	21.96
Band41	15MHz	16QAM	40590	75RB#0	21.00
Band41	15MHz	16QAM	41165	1RB#38	21.86
Band41	15MHz	16QAM	41165	1RB#0	22.12
Band41	15MHz	16QAM	41165	1RB#74	22.33
Band41	15MHz	16QAM	41165	38RB#18	21.86
Band41	15MHz	16QAM	41165	38RB#37	22.30
Band41	15MHz	16QAM	41165	38RB#0	22.10
Band41	15MHz	16QAM	41165	75RB#0	20.91
Band41	20MHz	QPSK	40140	1RB#0	23.44
Band41	20MHz	QPSK	40140	1RB#49	23.32
Band41	20MHz	QPSK	40140	1RB#99	23.27
Band41	20MHz	QPSK	40140	50RB#50	22.26
Band41	20MHz	QPSK	40140	50RB#25	22.35

Band41	20MHz	QPSK	40140	50RB#0	22.35
Band41	20MHz	QPSK	40140	100RB#0	22.32
Band41	20MHz	QPSK	40590	1RB#99	23.03
Band41	20MHz	QPSK	40590	1RB#49	23.01
Band41	20MHz	QPSK	40590	1RB#0	23.10
Band41	20MHz	QPSK	40590	50RB#50	22.03
Band41	20MHz	QPSK	40590	50RB#0	22.05
Band41	20MHz	QPSK	40590	50RB#25	22.04
Band41	20MHz	QPSK	40590	100RB#0	22.05
Band41	20MHz	QPSK	41140	1RB#0	23.05
Band41	20MHz	QPSK	41140	1RB#49	23.01
Band41	20MHz	QPSK	41140	1RB#99	23.02
Band41	20MHz	QPSK	41140	50RB#25	21.92
Band41	20MHz	QPSK	41140	50RB#50	21.88
Band41	20MHz	QPSK	41140	50RB#0	21.91
Band41	20MHz	QPSK	41140	100RB#0	21.93
Band41	20MHz	16QAM	40140	1RB#49	22.39
Band41	20MHz	16QAM	40140	1RB#99	22.43
Band41	20MHz	16QAM	40140	1RB#0	22.56
Band41	20MHz	16QAM	40140	50RB#25	21.34
Band41	20MHz	16QAM	40140	50RB#50	21.21
Band41	20MHz	16QAM	40140	50RB#0	21.34
Band41	20MHz	16QAM	40140	100RB#0	21.26
Band41	20MHz	16QAM	40590	1RB#49	21.73
Band41	20MHz	16QAM	40590	1RB#99	21.81
Band41	20MHz	16QAM	40590	1RB#0	21.92
Band41	20MHz	16QAM	40590	50RB#0	21.06
Band41	20MHz	16QAM	40590	50RB#25	21.06
Band41	20MHz	16QAM	40590	50RB#50	21.03
Band41	20MHz	16QAM	40590	100RB#0	21.00
Band41	20MHz	16QAM	41140	1RB#0	21.94
Band41	20MHz	16QAM	41140	1RB#49	21.85
Band41	20MHz	16QAM	41140	1RB#99	21.93
Band41	20MHz	16QAM	41140	50RB#0	20.91
Band41	20MHz	16QAM	41140	50RB#25	20.83
Band41	20MHz	16QAM	41140	50RB#50	20.84

Band41	20MHz	16QAM	41140	100RB#0	20.89
Band66	1.4MHz	QPSK	131979	1RB#0	22.79
Band66	1.4MHz	QPSK	131979	1RB#3	22.87
Band66	1.4MHz	QPSK	131979	1RB#5	22.73
Band66	1.4MHz	QPSK	131979	3RB#3	22.82
Band66	1.4MHz	QPSK	131979	3RB#0	22.75
Band66	1.4MHz	QPSK	131979	3RB#2	22.78
Band66	1.4MHz	QPSK	131979	6RB#0	21.74
Band66	1.4MHz	QPSK	132322	1RB#3	22.84
Band66	1.4MHz	QPSK	132322	1RB#0	22.84
Band66	1.4MHz	QPSK	132322	1RB#5	22.79
Band66	1.4MHz	QPSK	132322	3RB#3	22.76
Band66	1.4MHz	QPSK	132322	3RB#2	22.81
Band66	1.4MHz	QPSK	132322	3RB#0	22.80
Band66	1.4MHz	QPSK	132322	6RB#0	21.85
Band66	1.4MHz	QPSK	132665	1RB#3	22.83
Band66	1.4MHz	QPSK	132665	1RB#5	22.75
Band66	1.4MHz	QPSK	132665	1RB#0	22.84
Band66	1.4MHz	QPSK	132665	3RB#0	22.70
Band66	1.4MHz	QPSK	132665	3RB#2	22.75
Band66	1.4MHz	QPSK	132665	3RB#3	22.68
Band66	1.4MHz	QPSK	132665	6RB#0	21.69
Band66	1.4MHz	16QAM	131979	1RB#0	21.58
Band66	1.4MHz	16QAM	131979	1RB#5	21.50
Band66	1.4MHz	16QAM	131979	1RB#3	21.55
Band66	1.4MHz	16QAM	131979	3RB#3	21.53
Band66	1.4MHz	16QAM	131979	3RB#2	21.55
Band66	1.4MHz	16QAM	131979	3RB#0	21.57
Band66	1.4MHz	16QAM	131979	6RB#0	20.76
Band66	1.4MHz	16QAM	132322	1RB#0	21.76
Band66	1.4MHz	16QAM	132322	1RB#3	21.75
Band66	1.4MHz	16QAM	132322	1RB#5	21.61
Band66	1.4MHz	16QAM	132322	3RB#3	21.62
Band66	1.4MHz	16QAM	132322	3RB#2	21.69
Band66	1.4MHz	16QAM	132322	3RB#0	21.68
Band66	1.4MHz	16QAM	132322	6RB#0	20.83

Band66	1.4MHz	16QAM	132665	1RB#0	21.58
Band66	1.4MHz	16QAM	132665	1RB#3	21.70
Band66	1.4MHz	16QAM	132665	1RB#5	21.60
Band66	1.4MHz	16QAM	132665	3RB#0	21.64
Band66	1.4MHz	16QAM	132665	3RB#2	21.62
Band66	1.4MHz	16QAM	132665	3RB#3	21.60
Band66	1.4MHz	16QAM	132665	6RB#0	20.58
Band66	3MHz	QPSK	131987	1RB#0	22.89
Band66	3MHz	QPSK	131987	1RB#14	22.76
Band66	3MHz	QPSK	131987	1RB#8	22.84
Band66	3MHz	QPSK	131987	8RB#7	21.72
Band66	3MHz	QPSK	131987	8RB#4	21.77
Band66	3MHz	QPSK	131987	8RB#0	21.77
Band66	3MHz	QPSK	131987	15RB#0	21.77
Band66	3MHz	QPSK	132322	1RB#14	22.77
Band66	3MHz	QPSK	132322	1RB#8	22.91
Band66	3MHz	QPSK	132322	1RB#0	22.92
Band66	3MHz	QPSK	132322	8RB#0	21.94
Band66	3MHz	QPSK	132322	8RB#7	21.93
Band66	3MHz	QPSK	132322	8RB#4	21.92
Band66	3MHz	QPSK	132322	15RB#0	21.88
Band66	3MHz	QPSK	132657	1RB#0	22.68
Band66	3MHz	QPSK	132657	1RB#14	22.62
Band66	3MHz	QPSK	132657	1RB#8	22.73
Band66	3MHz	QPSK	132657	8RB#0	21.75
Band66	3MHz	QPSK	132657	8RB#7	21.76
Band66	3MHz	QPSK	132657	8RB#4	21.78
Band66	3MHz	QPSK	132657	15RB#0	21.77
Band66	3MHz	16QAM	131987	1RB#8	21.65
Band66	3MHz	16QAM	131987	1RB#14	21.57
Band66	3MHz	16QAM	131987	1RB#0	21.67
Band66	3MHz	16QAM	131987	8RB#7	20.76
Band66	3MHz	16QAM	131987	8RB#0	20.82
Band66	3MHz	16QAM	131987	8RB#4	20.81
Band66	3MHz	16QAM	131987	15RB#0	20.71
Band66	3MHz	16QAM	132322	1RB#8	21.65



Band66	3MHz	16QAM	132322	1RB#14	21.63
Band66	3MHz	16QAM	132322	1RB#0	21.71
Band66	3MHz	16QAM	132322	8RB#0	20.91
Band66	3MHz	16QAM	132322	8RB#7	20.86
Band66	3MHz	16QAM	132322	8RB#4	20.91
Band66	3MHz	16QAM	132322	15RB#0	20.80
Band66	3MHz	16QAM	132657	1RB#14	21.72
Band66	3MHz	16QAM	132657	1RB#0	21.82
Band66	3MHz	16QAM	132657	1RB#8	21.79
Band66	3MHz	16QAM	132657	8RB#7	20.75
Band66	3MHz	16QAM	132657	8RB#4	20.78
Band66	3MHz	16QAM	132657	8RB#0	20.78
Band66	3MHz	16QAM	132657	15RB#0	20.80
Band66	5MHz	QPSK	131997	1RB#12	22.77
Band66	5MHz	QPSK	131997	1RB#0	22.90
Band66	5MHz	QPSK	131997	1RB#24	22.79
Band66	5MHz	QPSK	131997	12RB#6	21.86
Band66	5MHz	QPSK	131997	12RB#0	21.85
Band66	5MHz	QPSK	131997	12RB#13	21.83
Band66	5MHz	QPSK	131997	25RB#0	21.79
Band66	5MHz	QPSK	132322	1RB#12	22.90
Band66	5MHz	QPSK	132322	1RB#24	22.86
Band66	5MHz	QPSK	132322	1RB#0	23.10
Band66	5MHz	QPSK	132322	12RB#13	21.93
Band66	5MHz	QPSK	132322	12RB#6	21.94
Band66	5MHz	QPSK	132322	12RB#0	21.94
Band66	5MHz	QPSK	132322	25RB#0	21.90
Band66	5MHz	QPSK	132647	1RB#12	22.76
Band66	5MHz	QPSK	132647	1RB#24	22.82
Band66	5MHz	QPSK	132647	1RB#0	22.86
Band66	5MHz	QPSK	132647	12RB#13	21.74
Band66	5MHz	QPSK	132647	12RB#0	21.81
Band66	5MHz	QPSK	132647	12RB#6	21.81
Band66	5MHz	QPSK	132647	25RB#0	21.78
Band66	5MHz	16QAM	131997	1RB#24	21.91
Band66	5MHz	16QAM	131997	1RB#0	21.97

Band66	5MHz	16QAM	131997	1RB#12	21.88
Band66	5MHz	16QAM	131997	12RB#6	20.90
Band66	5MHz	16QAM	131997	12RB#13	20.88
Band66	5MHz	16QAM	131997	12RB#0	20.93
Band66	5MHz	16QAM	131997	25RB#0	20.77
Band66	5MHz	16QAM	132322	1RB#12	21.80
Band66	5MHz	16QAM	132322	1RB#0	22.05
Band66	5MHz	16QAM	132322	1RB#24	21.78
Band66	5MHz	16QAM	132322	12RB#13	20.94
Band66	5MHz	16QAM	132322	12RB#6	20.95
Band66	5MHz	16QAM	132322	12RB#0	20.96
Band66	5MHz	16QAM	132322	25RB#0	20.92
Band66	5MHz	16QAM	132647	1RB#0	21.78
Band66	5MHz	16QAM	132647	1RB#12	21.76
Band66	5MHz	16QAM	132647	1RB#24	21.71
Band66	5MHz	16QAM	132647	12RB#0	20.80
Band66	5MHz	16QAM	132647	12RB#6	20.82
Band66	5MHz	16QAM	132647	12RB#13	20.75
Band66	5MHz	16QAM	132647	25RB#0	20.79
Band66	10MHz	QPSK	132022	1RB#0	22.21
Band66	10MHz	QPSK	132022	1RB#49	23.34
Band66	10MHz	QPSK	132022	1RB#24	22.84
Band66	10MHz	QPSK	132022	25RB#12	21.69
Band66	10MHz	QPSK	132022	25RB#25	21.87
Band66	10MHz	QPSK	132022	25RB#0	21.69
Band66	10MHz	QPSK	132022	50RB#0	21.83
Band66	10MHz	QPSK	132322	1RB#24	22.85
Band66	10MHz	QPSK	132322	1RB#0	22.27
Band66	10MHz	QPSK	132322	1RB#49	23.18
Band66	10MHz	QPSK	132322	25RB#0	21.86
Band66	10MHz	QPSK	132322	25RB#25	21.95
Band66	10MHz	QPSK	132322	25RB#12	21.86
Band66	10MHz	QPSK	132322	50RB#0	21.89
Band66	10MHz	QPSK	132622	1RB#24	22.69
Band66	10MHz	QPSK	132622	1RB#49	23.14
Band66	10MHz	QPSK	132622	1RB#0	22.18

Band66	10MHz	QPSK	132622	25RB#25	21.83
Band66	10MHz	QPSK	132622	25RB#0	21.72
Band66	10MHz	QPSK	132622	25RB#12	21.72
Band66	10MHz	QPSK	132622	50RB#0	21.74
Band66	10MHz	16QAM	132022	1RB#0	21.08
Band66	10MHz	16QAM	132022	1RB#24	21.65
Band66	10MHz	16QAM	132022	1RB#49	22.11
Band66	10MHz	16QAM	132022	25RB#25	20.91
Band66	10MHz	16QAM	132022	25RB#0	20.73
Band66	10MHz	16QAM	132022	25RB#12	20.74
Band66	10MHz	16QAM	132022	50RB#0	20.83
Band66	10MHz	16QAM	132322	1RB#0	21.03
Band66	10MHz	16QAM	132322	1RB#49	22.06
Band66	10MHz	16QAM	132322	1RB#24	21.55
Band66	10MHz	16QAM	132322	25RB#25	20.96
Band66	10MHz	16QAM	132322	25RB#0	20.89
Band66	10MHz	16QAM	132322	25RB#12	20.89
Band66	10MHz	16QAM	132322	50RB#0	20.90
Band66	10MHz	16QAM	132622	1RB#0	21.23
Band66	10MHz	16QAM	132622	1RB#24	21.73
Band66	10MHz	16QAM	132622	1RB#49	22.20
Band66	10MHz	16QAM	132622	25RB#25	20.84
Band66	10MHz	16QAM	132622	25RB#0	20.69
Band66	10MHz	16QAM	132622	25RB#12	20.66
Band66	10MHz	16QAM	132622	50RB#0	20.73
Band66	15MHz	QPSK	132047	1RB#74	22.73
Band66	15MHz	QPSK	132047	1RB#0	22.92
Band66	15MHz	QPSK	132047	1RB#38	22.61
Band66	15MHz	QPSK	132047	38RB#37	21.90
Band66	15MHz	QPSK	132047	38RB#18	21.79
Band66	15MHz	QPSK	132047	38RB#0	22.02
Band66	15MHz	QPSK	132047	75RB#0	21.71
Band66	15MHz	QPSK	132322	1RB#74	22.78
Band66	15MHz	QPSK	132322	1RB#0	22.96
Band66	15MHz	QPSK	132322	1RB#38	22.67
Band66	15MHz	QPSK	132322	38RB#18	21.51

Band66	15MHz	QPSK	132322	38RB#37	21.61
Band66	15MHz	QPSK	132322	38RB#0	21.75
Band66	15MHz	QPSK	132322	75RB#0	21.75
Band66	15MHz	QPSK	132597	1RB#74	22.69
Band66	15MHz	QPSK	132597	1RB#0	22.92
Band66	15MHz	QPSK	132597	1RB#38	22.63
Band66	15MHz	QPSK	132597	38RB#18	21.72
Band66	15MHz	QPSK	132597	38RB#0	22.00
Band66	15MHz	QPSK	132597	38RB#37	21.82
Band66	15MHz	QPSK	132597	75RB#0	21.65
Band66	15MHz	16QAM	132047	1RB#74	21.94
Band66	15MHz	16QAM	132047	1RB#38	21.76
Band66	15MHz	16QAM	132047	1RB#0	22.01
Band66	15MHz	16QAM	132047	38RB#0	22.04
Band66	15MHz	16QAM	132047	38RB#18	21.77
Band66	15MHz	16QAM	132047	38RB#37	21.85
Band66	15MHz	16QAM	132047	75RB#0	20.69
Band66	15MHz	16QAM	132322	1RB#74	21.60
Band66	15MHz	16QAM	132322	1RB#38	21.47
Band66	15MHz	16QAM	132322	1RB#0	21.71
Band66	15MHz	16QAM	132322	38RB#18	21.50
Band66	15MHz	16QAM	132322	38RB#0	21.72
Band66	15MHz	16QAM	132322	38RB#37	21.59
Band66	15MHz	16QAM	132322	75RB#0	20.71
Band66	15MHz	16QAM	132597	1RB#38	21.69
Band66	15MHz	16QAM	132597	1RB#0	21.99
Band66	15MHz	16QAM	132597	1RB#74	21.84
Band66	15MHz	16QAM	132597	38RB#0	21.99
Band66	15MHz	16QAM	132597	38RB#18	21.67
Band66	15MHz	16QAM	132597	38RB#37	21.81
Band66	15MHz	16QAM	132597	75RB#0	20.61
Band66	20MHz	QPSK	132072	1RB#99	23.13
Band66	20MHz	QPSK	132072	1RB#49	22.73
Band66	20MHz	QPSK	132072	1RB#0	22.59
Band66	20MHz	QPSK	132072	50RB#0	21.71
Band66	20MHz	QPSK	132072	50RB#50	21.76

Band66	20MHz	QPSK	132072	50RB#25	21.69
Band66	20MHz	QPSK	132072	100RB#0	21.68
Band66	20MHz	QPSK	132322	1RB#0	22.66
Band66	20MHz	QPSK	132322	1RB#49	22.77
Band66	20MHz	QPSK	132322	1RB#99	23.10
Band66	20MHz	QPSK	132322	50RB#0	21.63
Band66	20MHz	QPSK	132322	50RB#25	21.64
Band66	20MHz	QPSK	132322	50RB#50	21.74
Band66	20MHz	QPSK	132322	100RB#0	21.74
Band66	20MHz	QPSK	132572	1RB#99	22.87
Band66	20MHz	QPSK	132572	1RB#49	22.67
Band66	20MHz	QPSK	132572	1RB#0	22.59
Band66	20MHz	QPSK	132572	50RB#0	21.66
Band66	20MHz	QPSK	132572	50RB#25	21.63
Band66	20MHz	QPSK	132572	50RB#50	21.75
Band66	20MHz	QPSK	132572	100RB#0	21.65
Band66	20MHz	16QAM	132072	1RB#0	21.42
Band66	20MHz	16QAM	132072	1RB#49	21.55
Band66	20MHz	16QAM	132072	1RB#99	21.92
Band66	20MHz	16QAM	132072	50RB#25	20.76
Band66	20MHz	16QAM	132072	50RB#50	20.82
Band66	20MHz	16QAM	132072	50RB#0	20.74
Band66	20MHz	16QAM	132072	100RB#0	20.71
Band66	20MHz	16QAM	132322	1RB#0	21.66
Band66	20MHz	16QAM	132322	1RB#49	21.64
Band66	20MHz	16QAM	132322	1RB#99	21.99
Band66	20MHz	16QAM	132322	50RB#50	20.74
Band66	20MHz	16QAM	132322	50RB#25	20.62
Band66	20MHz	16QAM	132322	50RB#0	20.63
Band66	20MHz	16QAM	132322	100RB#0	20.72
Band66	20MHz	16QAM	132572	1RB#99	22.14
Band66	20MHz	16QAM	132572	1RB#49	21.81
Band66	20MHz	16QAM	132572	1RB#0	21.73
Band66	20MHz	16QAM	132572	50RB#0	20.63
Band66	20MHz	16QAM	132572	50RB#25	20.64
Band66	20MHz	16QAM	132572	50RB#50	20.76

Band66	20MHz	16QAM	132572	100RB#0	20.62
--------	-------	-------	--------	---------	-------

FCC rule Part 22.905 of LTE Band 26 (824-849MHz) is covered by LTE band 5 of same rule ,since they have the same output power and supported bandwidths. In this report, only test FCC rule Part 90S of LTE Band 26 (814-824MHz).

Radiated spurious emissions were investigated below 30MHz, 30MHz-1GHz and above 1GHz. There were no emissions found on below 30MHz and 30MHz-1GHz.

### 3.5. Support Equipment List

Name	Model No	S/N	Manufacturer
--	--	--	--

### 3.6. Test Conditions

Date of test : Oct.10, 2020 - Oct.27, 2020

Date of EUT Receive : Oct.10, 2020

Temperature: -30~50 °C

Relative Humidity: 41~48%

### 3.7. Special Accessories

Not available for this EUT intended for grant.

### 3.8. Equipment Modifications

Not available for this EUT intended for grant.

#### 4. TEST EQUIPMENT USED

Table 5 Test Equipment

No.	Equipment	Manufacturer	Model No.	Last Cal.	Cal. Interval
SB8501/09	EMI Test Receiver	Rohde & Schwarz	ESU40	Mar.11, 2020	1 Year
SB5472/02	Bilog Antenna	Schwarzbeck	VULB9163	Jan.10, 2020	1 Year
SB3435	Horn Antenna	Rohde & Schwarz	HF906	Dec.17, 2019	1 Year
SB8501/17	Preamplifier	Rohde & Schwarz	SCU-18	Feb.12, 2020	1 Year
SB8501/14	Preamplifier	Rohde & Schwarz	SCU-03	Feb.14, 2020	1 Year
SB8501/02	Communication Test Unit	Rohde & Schwarz	CMU200	May.18, 2020	1 Year
SB12724/08	Wideband Radio communication Tester	Rohde & Schwarz	CMW500	May.18, 2020	1 Year
SB9721/02	Signal Analyzer	Agilent	N9020A	May.18, 2020	1 Year
SB9721/07	DC Power Supply	Agilent	66319D	--	--
SB11818	Temperature & Humidity Test chamber	Espec	EH-010U	Mar.24, 2020	1 Year
--	Test Software	Tonscend	JS1120-1 LTE	--	--
--	Test Software	Tonscend	JS-1120-3 WCDMA	--	--
--	Test Software	Tonscend	JS-1120-4 GSM	--	--
--	Test Software	Tonscend	JS1120	--	--
--	Radiated Test Software	Rohde & Schwarz	EMC 32 8.50.0	--	--

## 5. TEST RESULTS

### 5.1. RF Output Power

#### 5.1.1. Test Standard

FCC: CFR Part 2.1046, CFR Part 22.913, CFR Part 24.232 CFR Part 27.50, CFR Part 90.635 .

#### 5.1.2. Test Limit

FCC 22.913 (a) Effective radiated power limits.

The effective radiated power (ERP) of mobile transmitters must not exceed 7 Watts.

FCC 24.232 (b)(c) Power limits.

(b) Mobile/portable stations are limited to 2 Watts effective isotropic radiated power (EIRP). (c) Peak transmit power must be measured over any interval of continuous transmission using instrumentation calibrated in terms of an rms equivalent voltage. The measurement results shall be properly adjusted for any limitations, such as detector response times, limited resolution bandwidth capability when compared to the emission bandwidth, sensitivity, etc., so as to obtain a true peak measurement over the full bandwidth of the channel.

27.50 (b)(10) Portable stations (hand-held de-vices) transmitting in the 746–757 MHz, 776–788 MHz, and 805–806 MHz bands are limited to 3 watts ERP.

27.50 (d)(4) The following power and antenna height requirements apply to stations transmitting in the 1710–1755 MHz and 2110–2155 MHz bands: Fixed, mobile, and portable (hand-held) stations operating in the 1710–1755 MHz band are limited to 1 watt EIRP.

27.50 (c) The following power and antenna height requirements apply to stations transmitting in the 698–746 MHz band (10) Portable stations (hand-held de-vices) are limited to 3 watts ERP.

27.50 (h) (2) Mobile and other user stations. Mobile stations are limited to 2.0 watts EIRP. All user stations are limited to 2.0 watts transmitter output power.

90.635 (b) Power limits.

The maximum output power of the transmitter for mobile stations is 100 watts (20 dBw).

#### 5.1.3. Test Procedure

ANSI C63.26:2015

KDB 971168 Section 5.6

$EIRP \text{ (dBm)} = ERP \text{ (dBm)} + 2.15 \text{ (dB)}$

$ERP/EIRP = P_{Meas} + GT - LC$

where: ERP/EIRP = effective or equivalent radiated power, respectively (expressed in the same

units as  $P_{Meas}$ , typically dBW or dBm);

$P_{Meas}$  = measured transmitter output power or PSD, in dBm or dBW;

GT = gain of the transmitting antenna, in dBd (ERP) or dBi (EIRP);

LC = signal attenuation in the connecting cable between the transmitter and antenna, in dB.

For devices utilizing multiple antennas, KDB 662911 provides guidance for determining the effective array transmit antenna gain term to be used in the above