



TEST REPORT

APPLICANT : Realme Chongqing Mobile
Telecommunications Corp., Ltd.

PRODUCT NAME : Mobile Phone

MODEL NAME : RMX2170

BRAND NAME : realme

FCC ID : 2AUYFRMX2170

STANDARD(S) : 47 CFR Part 2(2.1093)
IEEE 1528-2013

RECEIPT DATE : 2020-07-28

TEST DATE : 2020-07-29 to 2020-08-31

ISSUE DATE : 2020-08-31

Edited by : Gan Yueming
Gan Yueming (Rapporteur)

Approved by: Peng Huarui
Peng Huarui (Supervisor)

NOTE: This document is issued by MORLAB, the test report shall not be reproduced except in full without prior written permission of the company. The test results apply only to the particular sample(s) tested and to the specific tests carried out which is available on request for validation and information confirmed at our website.





DIRECTORY

- 1. SAR Results Summary..... 5
- 2. Technical Information..... 7
 - 2.1. Applicant and Manufacturer Information..... 7
 - 2.2. Equipment Under Test (EUT) Description 7
 - 2.3. Environment of Test Site/Conditions 9
- 3. Specific Absorption Rate (SAR)..... 10
 - 3.1. Introduction 10
 - 3.2. SAR Definition 10
- 4. RF Exposure Limits..... 11
 - 4.1. Uncontrolled Environment 11
 - 4.2. Controlled Environment..... 11
- 5. Applied Reference Documents 12
- 6. SAR Measurement System..... 13
 - 6.1. E-Field Probe 14
 - 6.2. Data Acquisition Electronics (DAE)..... 15
 - 6.3. Robot 15
 - 6.4. Measurement Server 16
 - 6.5. Light Beam Unit..... 16
 - 6.6. Phantom 17
 - 6.7. Device Holder 17
 - 6.8. Data Storage and Evaluation..... 19
 - 6.9. Test Equipment List..... 21
- 7. Tissue Simulating Liquids..... 23
- 8. SAR System Verification..... 25



- 8.1. Purpose of System Performance check 25
- 8.2. System Setup 25
- 8.3. Validation Results 26
- 9. EUT Testing Position 28
 - 9.1. Handset Reference Points 28
 - 9.2. Positioning for Cheek / Touch 29
 - 9.3. Positioning for Ear / 15° Tilt 30
 - 9.4. SAR Evaluations near the Mouth/Jaw Regions of the SAM Phantom 30
 - 9.5. Body-worn Configurations 31
 - 9.6. Hotspot Mode Exposure Position Conditions 31
- 10. Measurement Procedures 32
 - 10.1. Spatial Peak SAR Evaluation 32
 - 10.2. Power Reference Measurement 33
 - 10.3. Area Scan Procedures 33
 - 10.4. Zoom Scan Procedures 34
 - 10.5. SAR Averaged Methods 34
 - 10.6. Power Drift Monitoring 34
- 11. SAR Test Procedure 35
 - 11.1. General Scan Requirements 35
 - 11.2. Test Procedure 36
 - 11.3. Description of Interpolation/Extrapolation Scheme 36
 - 11.4. Wireless Router 36
- 12. SAR Test Configuration 38
- 13. Conducted RF Output Power 50
 - 13.1. Full Power 50
 - 13.2. Reduced Power for Top Antenna 82
 - 13.3. Reduced Power for Bottom Antenna 120
- 14. LTE Carrier Aggregation 130



14.1. LTE Downlink Carrier Aggregation Conducted Power132

15. Hot-Spot Mode Evaluation Procedure134

16. Block Diagram of the Tests to be Performed.....135

16.1. Head135

16.2. Body.....136

17. Test Results List137

17.1. Test Guidance.....137

17.2. Head SAR Data139

17.3. Body-worn SAR Data.....149

17.4. Hotspot SAR Data155

17.5. Repeated SAR Assessment.....165

17.6. Extremity SAR Assessment166

18. Simultaneous Transmission Evaluation167

18.1. Simultaneous Transmission Consideration.....167

18.2. Simultaneous Transmission Analysis.....168

19. Uncertainty Assessment.....174

Annex A General Information177

Annex B Test Setup Photos

Annex C Plots of System Performance Check

Annex D Plots of Maximum SAR Test Results

Annex E DASY Calibration Certificate

Changed History		
Version	Date	Reason for Change
1.0	2020-08-31	First edition

1. SAR Results Summary

The maximum results of Specific Absorption Rate (SAR) found during test as bellows:

<Highest Reported SAR Summary>

Frequency Band		Highest SAR Summary			
		Head (Gap 0mm)	Body-worn (Gap 10mm)	Hotspot (Gap 10mm)	Extremity (Gap 0mm)
		1g SAR (W/kg)			10g SAR (W/kg)
GSM	GSM850	0.551	0.289	0.289	N/A
	GSM1900	0.541	0.404	0.650	N/A
WCDMA	WCDMA Band II	0.722	0.520	0.942	N/A
	WCDMA Band IV	0.444	0.518	0.546	N/A
	WCDMA Band V	0.784	0.442	0.442	N/A
LTE	LTE Band 2	0.839	0.377	0.528	N/A
	LTE Band 4	0.554	0.488	0.647	N/A
	LTE Band 5	0.377	0.330	0.330	N/A
	LTE Band 7	0.580	1.093	1.093	N/A
	LTE Band 38	0.444	0.404	0.404	N/A
	LTE Band 40A	0.483	0.324	0.324	N/A
	LTE Band 40B	0.444	0.299	0.299	N/A
	LTE Band 41	0.809	0.449	0.449	N/A
WLAN	2.4GHz WLAN	0.586	0.196	0.196	N/A
	5GHz WLAN	0.567	0.403	0.403	0.901
2.4GHz Band	Bluetooth (Estimated)	N/A	0.372	N/A	N/A

Max Scaled SAR _{1g} (W/Kg):	Head:	0.839 W/kg	Limit(W/kg): 1.6 W/kg
	Body-worn:	1.093 W/kg	
	Hotspot:	1.093 W/kg	
Max Scaled SAR _{10g} (W/Kg):	Extremity	0.901 W/kg	Limit(W/kg): 4.0 W/kg

Highest Simultaneous Transmission SAR _{1g} (W/Kg):	1.496 W/kg	Limit(W/kg): 1.6 W/kg
---	------------	-----------------------

Note:

1. This device is in compliance with Specific Absorption Rate (SAR) for general population or uncontrolled exposure limits (1.6W/kg as averaged over any 1 gram of tissue; specified in FCC



REPORT No. : SZ20070414S01

47 CFR part 2 (2.1093) and ANSI/IEEE C95.1-1992), and had been tested in accordance with the measurement methods and procedures specified in IEEE 1528-2013 and FCC KDB publications.

2. When the test result is a critical value, we will use the measurement uncertainty give the judgment result based on the 95% risk level.



2. Technical Information

Note: Provide by applicant.

2.1. Applicant and Manufacturer Information

Applicant:	Realme Chongqing Mobile Telecommunications Corp., Ltd.
Applicant Address:	No.178 Yulong Avenue, Yufengshan, Yubei District, Chongqing, China
Manufacturer:	Realme Chongqing Mobile Telecommunications Corp., Ltd.
Manufacturer Address:	No.178 Yulong Avenue, Yufengshan, Yubei District, Chongqing, China

2.2. Equipment Under Test (EUT) Description

Product Name:	Mobile Phone
Hardware Version:	11
Software Version:	realme UI V1.0
Frequency Bands:	GSM 850: 824 MHz ~ 849 MHz GSM 1900: 1850 MHz ~ 1910 MHz WCDMA Band II: 1850 MHz ~ 1910 MHz WCDMA Band IV: 1710 MHz ~ 1755 MHz WCDMA Band V: 824 MHz ~ 849 MHz LTE Band 2: 1850 MHz ~ 1910 MHz LTE Band 4: 1710 MHz ~ 1755 MHz LTE Band 5: 824 MHz ~ 849 MHz LTE Band 7: 2500 MHz ~ 2570 MHz LTE Band 38: 2570 MHz ~ 2620 MHz LTE Band 40A: 2305 MHz ~ 2315 MHz LTE Band 40B: 2350 MHz ~ 2360 MHz LTE Band 41: 2535 MHz ~ 2655 MHz WLAN 2.4GHz: 2412 MHz ~ 2462 MHz WLAN 5.2GHz: 5180 MHz ~ 5240 MHz WLAN 5.3GHz: 5260 MHz ~ 5320 MHz WLAN 5.5GHz: 5500 MHz ~ 5720 MHz WLAN 5.8GHz: 5745 MHz ~ 5825 MHz Bluetooth: 2402 MHz ~ 2480 MHz NFC: 13.56 MHz
Modulation Mode:	GSM/GPRS: GMSK



	EDGE: 8PSK WCDMA: QPSK/16QAM LTE: QPSK/16QAM/64QAM 802.11b: DSSS 802.11a/g/n-HT20/HT40/ac-VHT20/40/80: OFDM BR+EDR: GFSK(1Mbps), $\pi/4$ -DQPSK(2Mbps), 8-DPSK(3Mbps) Bluetooth LE: GFSK(1Mbps), GFSK(2Mbps) NFC: ASK	
Multi-slot Class:	GPRS: Multi-slot Class 12; EDGE: Multi-slot Class 12;	
Operation Class:	Class B	
Hotspot Mode:	WWAN/2.4GHz WLAN/5G WLAN(Band 1&4)	
Antenna Type:	WWAN: FPC Antenna WLAN: FPC Antenna Bluetooth: FPC Antenna	
Battery Type 1:	Manufacturer:	SUNWODA Electronic Co., Ltd.
	Model Name:	BLP799
	Capacity:	2200mAh
	Rated Voltage:	7.74V
Battery Type 2:	Manufacturer:	Dongguan NVT Technology Co.,Ltd.
	Model Name:	BLP799
	Capacity:	2200mAh
	Rated Voltage:	7.74V
SIM Cards Description:	SIM 1	GSM+ WCDMA+LTE
	SIM 2	GSM+ WCDMA+LTE
	For dual SIM card version, SIM 1 and SIM 2 are the same chipset unit and tested as a single chipset, the SIM 1 is selected for testing	

Note: For a more detailed description, please refer to specification or user manual supplied by the applicant and/or manufacturer.



2.3. Environment of Test Site/Conditions

Normal Temperature (NT):	20-25 °C
Relative Humidity:	30-75 %
Air Pressure:	980-1020 hPa

Test Frequency:	GSM 850MHz/1900MHz WCDMA Band II/IV/V FDD-LTE Band 2/4/5/7 TDD-LTE Band 38/40A/40B/41 WLAN 2.4GHz WLAN 5GHz
Operation Mode:	Call established
Power Level:	GSM 850 MHz Maximum output power(level 5) GSM 1900MHz Maximum output power(level 0) WCDMA Band II/IV/V (All Up Bits) FDD-LTE Band 2/4/5/7 (Maximum output power) TDD-LTE Band 38/40A/40B/41 (Maximum output power) WLAN 2.4GHz (802.11b Power Setting=14) WLAN 2.4GHz (802.11g Power Setting=13) WLAN 2.4GHz (802.11n20 Power Setting=13) WLAN 5.2GHz (Power Setting=13) WLAN 5.3GHz (Power Setting=13) WLAN 5.5GHz (Power Setting=13) WLAN 5.8GHz (Power Setting=12.5)

During SAR test, EUT is in Traffic Mode (Channel Allocated) at Normal Voltage Condition. A communication link is set up with a System Simulator (SS) by air link, and a call is established.

The EUT shall use its internal transmitter. The antenna(s), battery and accessories shall be those specified by the Factory. The EUT battery must be fully charged and checked periodically during the test to ascertain uniform power output. If a wireless link is used, the antenna connected to the output of the base station simulator shall be placed at least 50 cm away from the handset. The signal transmitted by the simulator to the antenna feeding point shall be lower than the output power level of the handset by at least 35 dB.

3. Specific Absorption Rate (SAR)

3.1. Introduction

SAR is related to the rate at which energy is absorbed per unit mass in an object exposed to a radio field. The SAR distribution in a biological body is complicated and is usually carried out by experimental techniques or numerical modeling. The standard recommends limits for two tiers of groups, occupational or controlled and general population or uncontrolled, based on a person's awareness and ability to exercise control over his or her exposure. In general, occupational or controlled exposure limits are Middle than the limits for general population or uncontrolled.

3.2. SAR Definition

The SAR definition is the time derivative (rate) of the incremental energy (dW) absorbed by(dissipated in) an incremental mass (dm) contained in a volume element (dv) of a given density. (ρ). The equation description is as below:

$$SAR = \frac{d}{dt} \left(\frac{dW}{dm} \right) = \frac{d}{dt} \left(\frac{dW}{\rho dv} \right)$$

SAR is expressed in units of Watts per kilogram (W/kg).

SAR measurement can be either related to the temperature elevation in tissue by,

$$SAR = C \left(\frac{\delta T}{\delta t} \right)$$

Where C is the specific head capacity, δT is the temperature rise and δt the exposure duration, or related to the electrical field in the tissue by

$$SAR = \frac{\sigma |E|^2}{\rho}$$

Where σ is the conductivity of the tissue, ρ is the mass density of the tissue and $|E|$ is the rmselectrical field strength.

However for evaluating SAR of low power transmitter, electrical field measurement is typically applied.



4. RF Exposure Limits

4.1. Uncontrolled Environment

Uncontrolled Environments are defined as locations where there is the exposure of individuals who have no knowledge or control of their exposure. The general population/uncontrolled exposure limits are applicable to situations in which the general public may be exposed or in which persons who are exposed as a consequence of their employment may not be made fully aware of the potential for exposure or cannot exercise control over their exposure. Members of the general public would come under this category when exposure is not employment-related; for example, in the case of a wireless transmitter that exposes persons in its vicinity.

4.2. Controlled Environment

Controlled Environments are defined as locations where there is exposure that may be incurred by persons who are aware of the potential for exposure, (i.e. as a result of employment or occupation). In general, occupational/controlled exposure limits are applicable to situations in which persons are exposed as a consequence of their employment, who have been made fully aware of the potential for exposure and can exercise control over their exposure. The exposure category is also applicable when the exposure is of a transient nature due to incidental passage through a location where the exposure levels may be higher than the general population/uncontrolled limits, but the exposed person is fully aware of the potential for exposure and can exercise control over his or her exposure by leaving the area or by some other appropriate means.

Limits for General Population/Uncontrolled Exposure (W/kg)

Type Exposure	Uncontrolled Environment Limit
Spatial Peak SAR (1g cube tissue for head and trunk)	1.6 W/kg
Spatial Peak SAR (10g cube tissue for limbs)	4.0 W/kg
Spatial Peak SAR (1g cube tissue for whole body)	0.08 W/kg

Note:

1. Occupational/Uncontrolled Environments are defined as locations where there is exposure that may be incurred by people who are aware of the potential for exposure (i.e. as a result of employment or occupation).
2. Whole-Body SAR is averaged over the entire body, partial-body SAR is averaged over any 1gram of tissue defined as a tissue volume in the shape of a cube. SAR for hands, wrists, feet and ankles is averaged over any 10 grams of tissue defined as a tissue volume in the shape of a cube.

5. Applied Reference Documents

Leading reference documents for testing:

No.	Identity	Document Title	Method Determination /Remark
1	47 CFR Part 2(2.1093)	Radio Frequency Radiation Exposure Evaluation: Portable Devices	No deviation
2	IEEE 1528-2013	IEEE Recommended Practice for Determining the Peak Spatial-Average Specific Absorption Rate (SAR) in the Human Head from Wireless Communications Devices: Measurement Techniques	No deviation
3	KDB 447498 D01v06	General RF Exposure Guidance	No deviation
4	KDB 248227 D01v02r02	SAR Measurement Procedures for 802.11 Transmitters	No deviation
5	KDB 865664 D01v01r04	SAR Measurement 100 MHz to 6 GHz	No deviation
6	KDB 865664 D02v01r02	RF Exposure Reporting	No deviation
7	KDB 648474 D04v01r03	Handset SAR	No deviation
8	KDB 941225 D01v03r01	3G SAR MEAUREMENT PROCEDURES	No deviation
9	KDB 941225 D05v02r05	SAR Evaluation Consideration for LTE Devices	No deviation
10	KDB 941225 D06v02r01	SAR Evaluation Procedures For Portable Devices With Wireless Router Capabilities	No deviation
<p>Note 1: The test item is not applicable.</p> <p>Note 2: Additions to, deviation, or exclusions from the method shall be judged in the "method determination" column of add, deviate or exclude from the specific method shall be explained in the "Remark" of the above table.</p>			

6. SAR Measurement System

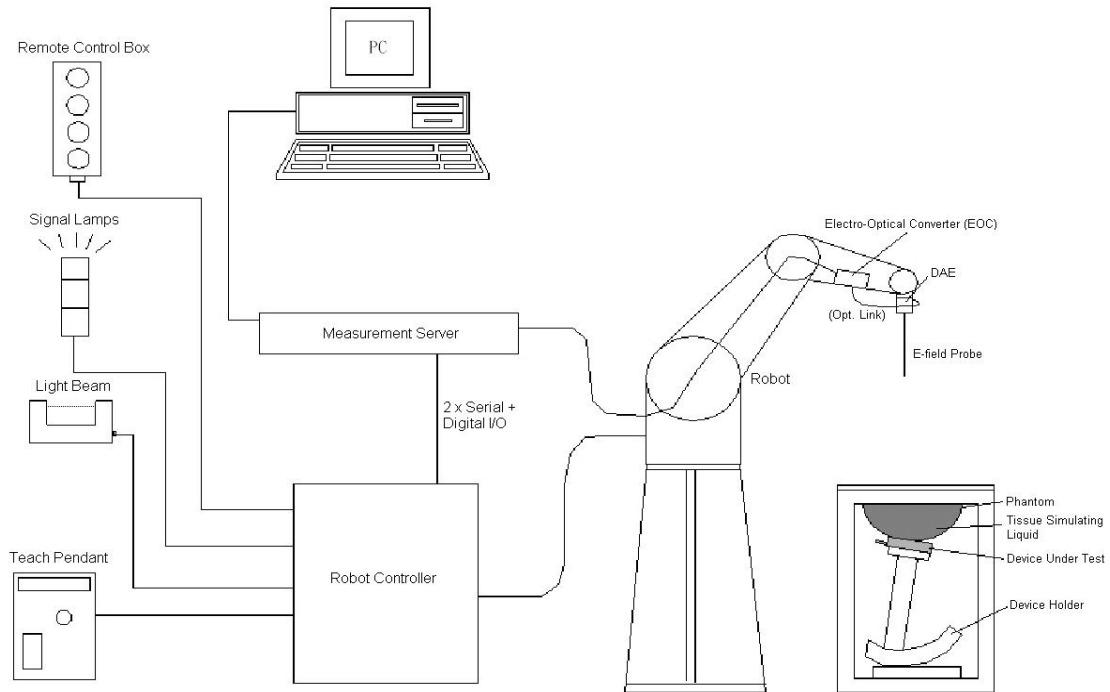


Fig 6.1 SPEAG DASY System Configurations

The DASY system for performance compliance tests is illustrated above graphically. This system consists of the following items:

- A standard high precision 6-axis robot with controller, a teach pendant and software.
- A data acquisition electronic (DAE) attached to the robot arm extension.
- A dosimetric probe equipped with an optical surface detector system.
- The electro-optical converter (ECO) performs the conversion between optical and electrical signals
- A measurement server performs the time critical tasks such as signal filtering, control of the robot operation and fast movement interrupts.
- A probe alignment unit which improves the accuracy of the probe positioning.
- A computer operating Windows XP.
- DASY software.
- Remote control with teach pendant and additional circuitry for robot safety such as warning lamps, etc.
- The SAM twin phantom.
- A device holder.
- Tissue simulating liquid.
- Dipole for evaluating the proper functioning of the system.
- Some of the components are described in details in the following sub-sections.

6.1. E-Field Probe

The SAR measurement is conducted with the dosimetric probe (manufactured by SPEAG). The probe is specially designed and calibrated for use in liquid with high permittivity. The dosimetric probe has special calibration in liquid at different frequency. This probe has a built in optical surface detection system to prevent from collision with phantom.

E-Field Probe Specification <ES3DV3 Probe>

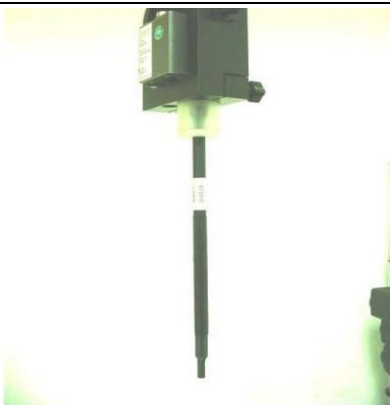
Construction	Symmetrical design with triangular core Built-in optical fiber for surface detection system. Built-in shielding against static charges. PEEK enclosure material (resistant to organic solvents, e.g., DGBE)	
Frequency	10 MHz to 3 GHz; Linearity: ± 0.2 dB	
Directivity	± 0.2 dB in HSL (rotation around probe axis) ± 0.4 dB in HSL (rotation normal to probe axis)	
Dynamic Range	5 μ W/g to 100 mW/g; Linearity: ± 0.2 dB	
Dimensions	Overall length: 330 mm (Tip: 16 mm) Tip diameter: 6.8 mm (Body: 12 mm) Distance from probe tip to dipole centers: 2.7 mm	

Fig 6.2 Photo of ES3DV3

<EX3DV4 Probe>


Construction	Symmetrical design with triangular core Built-in shielding against static charges PEEK enclosure material (resistant to organic solvents, e.g., DGBE)	
Frequency	10 MHz to 6 GHz; Linearity: ± 0.2 dB	
Directivity	± 0.3 dB in HSL (rotation around probe axis) ± 0.5 dB in tissue material (rotation normal to probe axis)	
Dynamic Range	10 μ W/g to 100 mW/g; Linearity: ± 0.2 dB	
Dimensions	Overall length: 330 mm (Tip: 20 mm) Tip diameter: 2.5 mm (Body: 12 mm) Typical distance from probe tip to dipole centers: 1 mm	

Fig 6.3 Photo of EX3DV4

E-Field Probe Calibration

Each probe needs to be calibrated according to a dosimetric assessment procedure with accuracy better than $\pm 10\%$. The spherical isotropy shall be evaluated and within ± 0.25 dB. The sensitivity parameters (NormX, NormY, and NormZ), the diode compression parameter (DCP) and the conversion factor (ConvF) of the probe are tested. The calibration data can be referred to appendix C of this report.

6.2. Data Acquisition Electronics (DAE)

The data acquisition electronics(DAE) consists of a highly sensitive electrometer-grade preamplifier with auto-zeroing, a channel and gain-switching multiplexer, a fast16 bit AD-converter and a command decoder and control logic unit. AD-converter and a command decoder and control logic unit. Transmission to the measurement server is accomplished through an optical downlink for data and status information as well as an optical uplink for commands and the clock. The input impedance of the DAE is 200M Ω ; the inputs are symmetrical and floating. Common mode rejection is above 80 dB.



Fig 6.4 Photo of DAE

6.3. Robot

The SPEAG DASY system uses the high precision robots (DASY4: RX90BL; DASY5: TX90XL) type from Stäubli SA (France). For the 6-axis controller system, the robot controller version (DASY4: CS7MB; DASY5: CS8c) from Stäubli is used. The Stäubli robot series have many features that are important for our application:

High precision (repeatability ± 0.035 mm)

High reliability (industrial design)

Jerk-free straight movements

Low ELF interference (the closed metallic construction shields against motor control fields)



Fig 6.5 Photo of DASY5

6.4. Measurement Server

The measurement server is based on a PC/104 CPU board with CPU (DASY4: 166 MHz, Intel Pentium; DASY5: 400 MHz, Intel Celeron), chip disk (DASY4: 32 MB; DASY5: 128 MB), RAM (DASY4: 64 MB, DASY5: 128 MB). The necessary circuits for communication with the DAE electronic box, as well as the 16 bit AD converter system for optical detection and digital I/O interface are contained on the DASY I/O board, which is directly connected to the PC/104 bus of the CPU board.

The measurement server performs all the real-time data evaluation for field measurements and surface detection, controls robot movements and handles safety operations.



Fig 6.6 Photo of Server for DASY5

6.5. Light Beam Unit

The light beam switch allows automatic "tooling" of the probe. During the process, the actual position of the probe tip with respect to the robot arm is measured, as well as the probe length and the horizontal probe offset. The software then corrects all movements, such that the robot coordinates are valid for the probe tip.

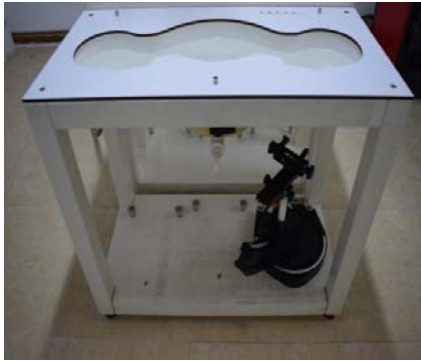
The repeatability of this process is better than 0.1 mm. If a position has been taught with an aligned probe, the same position will be reached with another aligned probe within 0.1 mm, even if the other probe has different dimensions. During probe rotations, the probe tip will keep its actual position.



Fig. 6.7 Photo of Light Beam

6.6. Phantom

<SAM Twin Phantom>

Shell Thickness	2 ± 0.2 mm (sagging: <1%) Center ear point: 6 ± 0.2 mm	
Filling Volume	Approx. 25 liters	
Dimensions	Length: 1000 mm; Width: 500 mm; Height: adjustable feet	
Measurement Areas	Left Hand, Right Hand, Flat Phantom	Fig 6.8 Photo of SAM Phantom

The bottom plate contains three pair of bolts for locking the device holder. The device holder positions are adjusted to the standard measurement positions in the three sections. A white cover is provided to tap the phantom during off-periods to prevent water evaporation and changes in the liquid parameters. On the phantom top, three reference markers are provided to identify the phantom position with respect to the robot.

6.7. Device Holder

<Device Holder for SAM Twin Phantom>

The SAR in the phantom is approximately inversely proportional to the square of the distance between the source and the liquid surface. For a source at 5 mm distance, a positioning uncertainty of ± 0.5 mm would produce a SAR uncertainty of ± 20 %. Accurate device positioning is therefore crucial for accurate and repeatable measurements. The positions in which the devices must be measured are defined by the standards.

The DASY device holder is designed to cope with different positions given in the standard. It has two scales for the device rotation (with respect to the body axis) and the device inclination (with respect to the line between the ear reference points). The rotation center for both scales is the ear reference point (EPR). Thus the device needs no repositioning when changing the angles.

The DASY device holder is constructed of low-loss POM material having the following dielectric parameters: relative permittivity $\epsilon = 3$ and loss tangent $\delta = 0.02$. The amount of dielectric material has been reduced in the closest vicinity of the device, since measurements have suggested that the influence of the clamp on the test results could thus be lowered.



Fig 6.9 Device Holder

<Laptop Extension Kit>

The extension is lightweight and made of POM, acrylic glass and foam. It fits easily on the upper part of the mounting device in place of the phone positioned. The extension is fully compatible with the SAM Twin and ELI phantoms.

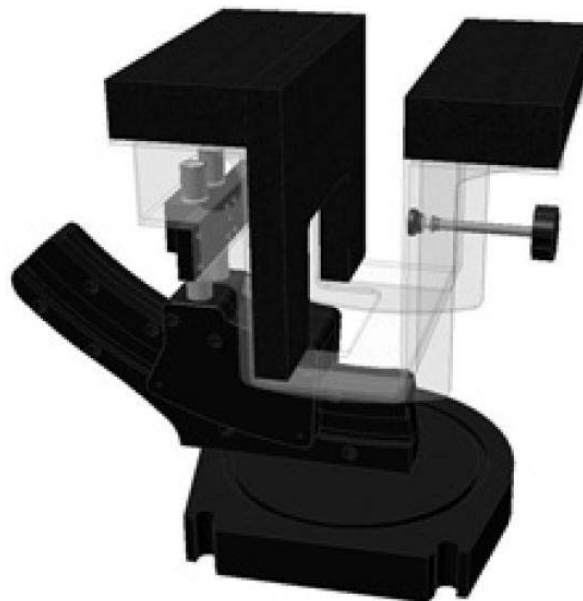


Fig 6.10 Laptop Extension Kit



6.8. Data Storage and Evaluation

➤ Data Storage

The DASY software stores the assessed data from the data acquisition electronics as raw data (in microvolt readings from the probe sensors), together with all the necessary software parameters for the data evaluation (probe calibration data, liquid parameters and device frequency and modulation data) in measurement files. The post-processing software evaluates the desired unit and format for output each time the data is visualized or exported. This allows verification of the complete software setup even after the measurement and allows correction of erroneous parameter settings. For example, if a measurement has been performed with an incorrect crest factor parameter in the device setup, the parameter can be corrected afterwards and the data can be reevaluated.

The measured data can be visualized or exported in different units or formats, depending on the selected probe type (e.g., [V/m], [A/m], [mW/g]). Some of these units are not available in certain situations or give meaningless results, e.g., a SAR-output in a non-lose media, will always be zero. Raw data can also be exported to perform the evaluation with other software packages.

➤ Data Evaluation

The DASY post-processing software (SEMCAD) automatically executes the following procedures to calculate the field units from the microvolt readings at the probe connector. The parameters used in the evaluation are stored in the configuration modules of the software.

Probe parameters:	- Sensitivity	$Norm_i, a_{i0}, a_{i1}, a_{i2}$
	- Conversion factor	$ConvF_i$
	- Diode compression point	$dcpi$
Device parameters:	- Frequency	f
	- Crest factor	cf
Media parameters:	- Conductivity	σ
	- Density	ρ

These parameters must be set correctly in the software. They can be found in the component documents or they can be imported into the software from the configuration files issued for the DASY components. In the direct measuring mode of the multi-meter option, the parameters of the actual system setup are used. In the scan visualization and export modes, the parameters stored in the corresponding document files are used.

The first step of the evaluation is a linearization of the filtered input signal to account for the compression characteristics of the detector diode. The compensation depends on the input signal, the diode type and the DC-transmission factor from the diode to the evaluation electronics. If the exciting field is pulsed, the crest factor of the signal must be known to correctly compensate for peak power.

The formula for each channel can be given as:

$$V_i = U_i + U_i^2 \times \frac{cf}{dcp_i}$$

With V_i = compensated signal of channel i , ($i = x, y, z$)
 U_i = input signal of channel i , ($i = x, y, z$)
 cf = crest factor of exciting field (DASY parameter)
 dcp_i = diode compression point (DASY parameter)

From the compensated input signals, the primary field data for each channel can be evaluated:

$$\text{E-field Probes: } E_i = \sqrt{\frac{V_i}{\text{Norm}_i \times \text{ConvF}}}$$

$$\text{H-field Probes: } H_i = \sqrt{V_i} \times \frac{a_{i0} + a_{i1} + a_{i2}f^2}{f}$$

With V_i = compensated signal of channel i , ($i = x, y, z$)
 Norm_i = sensor sensitivity of channel i , ($i = x, y, z$), $\mu\text{V}/(\text{V/m})^2$ for E-field
 Probes ConvF = sensitivity enhancement in solution
 a_{ij} = sensor sensitivity factors for H-field probes
 f = carrier frequency [GHz]
 E_i = electric field strength of channel i in V/m
 H_i = magnetic field strength of channel i in A/m

The RSS value of the field components gives the total field strength (Hermitian magnitude):

$$E_{\text{tot}} = \sqrt{E_x^2 + E_y^2 + E_z^2}$$

The primary field data are used to calculate the derived field units.

$$\text{SAR} = E_{\text{tot}}^2 \times \frac{\sigma}{\rho \times 1000}$$

with SAR = local specific absorption rate in mW/g

E_{tot} = total field strength in V/m

σ = conductivity in [mho/m] or [Siemens/m]

ρ = equivalent tissue density in g/cm^3

Note that the density is set to 1, to account for actual head tissue density rather than the density of the tissue simulating liquid.



6.9. Test Equipment List

Manufacturer	Name of Equipment	Type/Model	Serial Number	Calibration	
				Last Cal.	Due Date
SPEAG	835MHz System Validation Kit	D835V2	4d227	2018.06.22	2021.06.21
SPEAG	1750MHz System Validation Kit	D1750V2	1160	2018.06.25	2021.06.24
SPEAG	1900MHz System Validation Kit	D1900V2	5d221	2018.06.22	2021.06.21
SPEAG	2300MHz System Validation Kit	D2300V2	1107	2020.06.20	2023.06.19
SPEAG	2450MHz System Validation Kit	D2450V2	805	2018.10.26	2021.10.25
SPEAG	2600MHz System Validation Kit	D2600V2	1139	2018.06.25	2021.06.24
SPEAG	5000MHz System Validation Kit	D5GHzV2	1176	2018.11.06	2021.11.05
SPEAG	Dosimetric E-Field Probe	EX3DV4	3823	2020.01.03	2021.01.02
SPEAG	Data Acquisition Electronics	DAE4	480	2020.06.02	2021.06.01
SPEAG	Dielectric Assessment KIT	DAK-3.5	1279	2019.11.03	2020.11.02
SPEAG	SAM Twin Phantom 1	QD 000 P40 CB	TP-1471	NCR	NCR
SPEAG	SAM Twin Phantom 2	QD 000 P40 CB	TP-1464	NCR	NCR
SPEAG	Phone Positioner	N/A	N/A	NCR	NCR
R&S	Network Emulator	CMW500	124534	2020.03.31	2021.03.30
Anritsu	Radio Communication Analyzer	MT 8821C	6261830572	2020.02.25	2021.02.21
Anritsu	Radio Communication Analyzer	MT8000A	6262012906	2019.10.07	2020.10.06
Agilent	Network Analyzer	E5071B	MY42404762	2019.04.15	2020.04.14
mini-circuits	Amplifier	ZHL-42W+	608501717	NCR	NCR
mini-circuits	Amplifier	ZVE-8G+	754401735	NCR	NCR
Agilent	Signal Generator	N5182B	MY53050509	2020.03.31	2021.03.30
Agilent	Power Sensor	N8482A	MY41090849	2019.10.28	2020.10.27
Agilent	Power Meter	E4416A	MY45102093	2019.10.28	2020.10.27
Anritsu	Power Sensor	MA2411B	N/A	2019.10.28	2020.10.27
Anritsu	Power Meter	NRVD	101066	2019.10.28	2020.10.27
Agilent	Dual Directional Coupler	778D	50422	NA	NA
MCL	Attenuation1	351-218-010	N/A	NA	NA
THERMOMETER	Thermo meter	DC-803	N/A	2020.06.04	2020.09.03
N/A	Tissue Simulating Liquids	700-6000MHz	N/A	24H	

Note:

1. The calibration certificate of DASY can be referred to appendix E of this report.
2. The Insertion Loss calibration of Dual Directional Coupler and Attenuator were characterized



via the network analyzer and compensated during system check.

3. The dielectric probe kit was calibrated via the network analyzer, with the specified procedure (calibrated in pure water) and calibration kit (standard) short circuit, before the dielectric measurement. The specific procedure and calibration kit are provided by Speag.
4. In system check we need to monitor the level on the power meter, and adjust the power amplifier level to have precise power level to the dipole; the measured SAR will be normalized to 1W input power according to the ratio of 1W to the input power to the dipole. For system check, the calibration of the power amplifier is deemed not critically required for correct measurement; the power meter is critical and we do have calibration for it.
5. Attenuator insertion loss is calibrated by the network Analyzer, which the calibration is valid, before system check.
6. N.C.R means No Calibration Requirement.

7. Tissue Simulating Liquids

For SAR measurement of the field distribution inside the phantom, the phantom must be filled with homogeneous tissue simulating liquid to a depth of at least 15cm. For head SAR testing, the liquid height from the ear reference point (ERP) of the phantom to the liquid top surface is larger than 15cm. For body SAR testing, the liquid height from the center of the flat phantom to the liquid top surface is larger than 15cm, which is shown in Fig. 7.1. For body SAR testing, the liquid height from the center of the flat phantom to the liquid top surface is larger than 15 cm, which is shown in Fig. 7.2. The nominal dielectric values of the tissue simulating liquids in the phantom and the tolerance of 5% are listed in below table.



Fig 7.1 Photo of Liquid Height for Head SAR



Fig 7.2 Photo of Liquid Height for Body SAR

The following table gives the recipes for tissue simulating liquids.

Frequency (MHz)	Water (%)	Sugar (%)	Cellulose (%)	Salt (%)	Preventol (%)	DGBE (%)	Conductivity (σ)	Permittivity (ϵ_r)
Head								
750	41.1	57.0	0.2	1.4	0.2	0	0.89	41.9
835	40.3	57.9	0.2	1.4	0.2	0	0.90	41.5
1800, 1900, 2000	55.2	0	0	0.3	0	44.5	1.40	40.0
2450	55.0	0	0	0	0	45.0	1.80	39.2
2600	54.8	0	0	0.1	0	45.1	1.96	39.0
Body								
750	51.7	47.2	0	0.9	0.1	0	0.96	55.5
835	50.8	48.2	0	0.9	0.1	0	0.97	55.2
1800, 1900, 2000	70.2	0	0	0.4	0	29.4	1.52	53.3
2450	68.6	0	0	0	0	31.4	1.95	52.7
2600	68.1	0	0	0.1	0	31.8	2.16	52.5

Simulating Liquid for 5GHz, Manufactured by SPEAG.

Ingredients	(% by weight)
Water	64~78%
Mineral oil	11~18%
Emulsifiers	9~15%
Additives and Salt	2~3%

Note: Please refer to the validation results for dielectric parameters of each frequency band.



The dielectric properties of the tissue simulating liquids were verified prior to the SAR evaluation using an Agilent 85033E Dielectric Probe Kit and an Agilent Network Analyzer.

Table 1: Dielectric Performance of Tissue Simulating Liquid

Frequency (MHz)	Tissue Type	Liquid Temp. (°C)	Conductivity (σ)	Conductivity Target (σ)	Delta (σ) (%)	Limit (%)	Date
835	HSL	22.1	0.942	0.90	4.67	±5	2020.08.12
1750	HSL	22.2	1.433	1.37	4.60	±5	2020.08.20
1900	HSL	22.1	1.357	1.40	-3.07	±5	2020.08.17
2450	HSL	22.4	1.640	1.67	-1.80	±5	2020.08.18
2300	HSL	22.3	1.816	1.80	0.89	±5	2020.08.26
2600	HSL	22.1	1.988	1.96	1.43	±5	2020.08.23
5250	HSL	22.1	4.532	4.71	-3.78	±5	2020.08.27
5250	HSL	22.6	4.527	4.71	-3.89	±5	2020.08.31
5600	HSL	22.2	4.877	5.07	-3.81	±5	2020.08.28
5750	HSL	22.1	5.030	5.22	-3.64	±5	2020.08.28
Frequency (MHz)	Tissue Type	Liquid Temp. (°C)	Permittivity (ε _r)	Permittivity Target (ε _r)	Delta (ε _r) (%)	Limit (%)	Date
835	HSL	22.1	42.881	41.50	3.33	±5	2020.08.12
1750	HSL	22.2	39.532	40.10	-1.42	±5	2020.08.20
1900	HSL	22.1	39.745	40.00	-0.64	±5	2020.08.17
2450	HSL	22.4	39.251	39.50	-0.63	±5	2020.08.18
2300	HSL	22.3	38.802	39.20	-1.02	±5	2020.08.26
2600	HSL	22.1	38.293	39.00	-1.81	±5	2020.08.23
5250	HSL	22.1	34.968	35.95	-2.73	±5	2020.08.27
5250	HSL	22.6	34.977	35.95	-2.71	±5	2020.08.31
5600	HSL	22.2	34.502	35.50	-2.81	±5	2020.08.28
5750	HSL	22.1	34.288	35.35	-3.00	±5	2020.08.28



8. SAR System Verification

Each DASY system is equipped with one or more system validation kits. These units, together with the predefined measurement procedures within the DASY software, enable the user to conduct the system performance check and system validation. System validation kit includes a dipole, tripod holder to fix it underneath the flat phantom and a corresponding distance holder.

8.1. Purpose of System Performance check

The system performance check verifies that the system operates within its specifications. System and operator errors can be detected and corrected. It is recommended that the system performance check be performed prior to any usage of the system in order to guarantee reproducible results. The system performance check uses normal SAR measurements in a simplified setup with a well characterized source. This setup was selected to give a high sensitivity to all parameters that might fail or vary over time. The system check does not intend to replace the calibration of the components, but indicates situations where the system uncertainty is exceeded due to drift or failure.

8.2. System Setup

The output power on dipole port must be calibrated to 24 dBm (250 mW) before dipole is connected. In the simplified setup for system evaluation, the DUT is replaced by a calibrated dipole and the power source is replaced by a continuous wave which comes from a signal generator. The calibrated dipole must be placed beneath the flat phantom section of the SAM twin phantom with the correct distance holder. The distance holder should touch the phantom surface with a light pressure at the reference marking and be oriented parallel to the long side of the phantom. The system check verifies that the system operates within its specifications. It is performed daily or before every SAR measurement. The system check uses normal SAR measurements in the flat section of the phantom with a matched dipole at a specified distance. The system verification setup is shown as below.



Fig 8.1 Photo of Dipole Setup

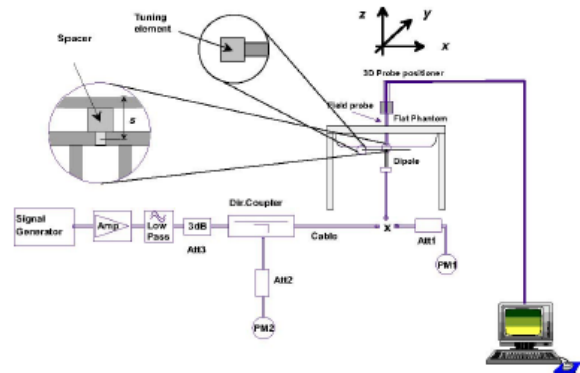


Fig 8.2 System Setup for System Evaluation

8.3. Validation Results

After system check testing, the SAR result will be normalized to 1W forward input power and compared with the reference SAR value derived from validation dipole certificate report. The deviation of system check should be within 10 %.

<Validation Setup>

Frequency (MHz)	Tissue Type	Input Power (mW)	Dipole S/N	Probe S/N	DAE S/N
835	HSL	250	D835V2-4d227	3823	480
1750	HSL	250	D1750V2-1160	3823	480
1900	HSL	250	D1900V2_5d221	3823	480
2300	HSL	250	D2300V2_1107	3823	480
2450	HSL	250	D2450V2-805	3823	480
2600	HSL	250	D2600V2-1139	3823	480
5250	HSL	100	D5GHzV2-1176-5250	3823	480
5600	HSL	100	D5GHzV2-1176-5600	3823	480
5750	HSL	100	D5GHzV2-1176-5750	3823	480



<Validation Results>

Date	Frequency (MHz)	Tissue Type	Input Power (mW)	Measured 1g SAR (W/kg)	Targeted 1g SAR (W/kg)	Normalized 1g SAR (W/kg)	Deviation (%)
2020.08.12	750	HSL	250	2.39	9.34	9.56	2.36
2020.08.20	835	HSL	250	9.42	37.10	37.68	1.56
2020.08.17	1750	HSL	250	9.97	39.50	39.88	0.96
2020.08.18	1900	HSL	250	11.81	48.40	47.24	-2.40
2020.08.26	2450	HSL	250	13.40	52.00	53.6	3.08
2020.08.23	2600	HSL	250	13.89	54.00	55.56	2.89
2020.08.27	5250	HSL	100	7.86	78.90	78.6	-0.38
2020.08.31	5250	HSL	100	7.28	78.90	72.8	-7.73
2020.08.28	5600	HSL	100	7.97	80.90	79.7	-1.48
2020.08.28	5750	HSL	100	8.04	80.00	80.4	0.50

Date	Frequency (MHz)	Tissue Type	Input Power (mW)	Measured 10g SAR (W/kg)	Targeted 10g SAR (W/kg)	Normalized 10g SAR (W/kg)	Deviation (%)
2020.08.12	750	HSL	250	1.57	6.07	6.28	3.46
2020.08.20	835	HSL	250	4.94	20.00	19.76	-1.20
2020.08.17	1750	HSL	250	5.18	20.60	20.72	0.58
2020.08.18	1900	HSL	250	5.73	23.00	22.92	-0.35
2020.08.26	2450	HSL	250	6.18	24.10	24.72	2.57
2020.08.23	2600	HSL	250	6.25	24.50	25	2.04
2020.08.27	5250	HSL	100	2.19	22.50	21.9	-2.67
2020.08.31	5250	HSL	100	2.15	22.50	21.5	-4.44
2020.08.28	5600	HSL	100	2.27	23.10	22.7	-1.73
2020.08.28	5750	HSL	100	2.29	22.60	22.9	1.33

Note: System checks the specific test data please see Annex C.

9. EUT Testing Position

This EUT was tested in six different positions. They are right cheek/right tilted/left cheek/left tilted for head, Front/Back of the EUT with phantom 10 mm gap, as illustrated below, please refer to Appendix B for the test setup photos.

9.1. Handset Reference Points

The vertical centre line passes through two points on the front side of the handset – the midpoint of the width w_t of the handset at the level of the acoustic output, and the midpoint of the width w_b of the bottom of the handset.

The horizontal line is perpendicular to the vertical centre line and passes the center of the acoustic output. The horizontal line is also tangential to the handset at point A.

The two lines intersect at point A. Note that for many handsets, point A coincides with the center of the acoustic output; however, the acoustic output may be located elsewhere on the horizontal line. Also note that the vertical centre line is not necessarily parallel to the front face of the handset, especially for clamshell handsets, handsets with flip covers, and other irregularly shaped handsets.



Fig. 9.1 Illustration for Cheek Position

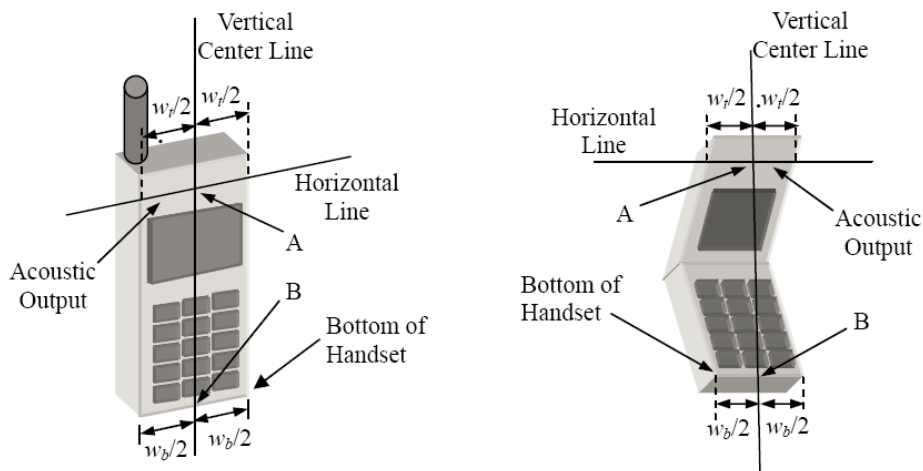


Fig. 9.2 Illustration for Handset Vertical and Horizontal Reference Lines

9.2. Positioning for Cheek / Touch

To position the device with the vertical center line of the body of the device and the horizontal line crossing the center piece in a plane parallel to the sagittal plane of the phantom. While maintaining the device in this plane, align the vertical center line with the reference plane containing the three ear and mouth reference point (M: Mouth, RE: Right Ear and LE: Left Ear) and align the center of the ear piece with the line RE-LE.

To move the device towards the phantom with the ear piece aligned with the line LE-RE until the phone touched the ear. While maintaining the device in the reference plane and maintaining the phone contact with the ear, move the bottom of the phone until any point on the front side is in contact with the cheek of the phantom or until contact with the ear is lost (see below figure)

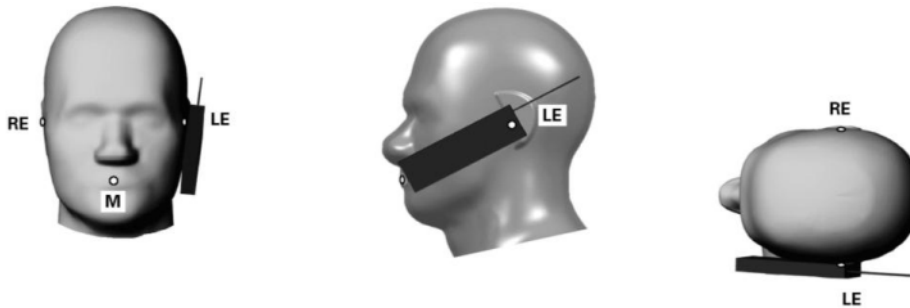


Fig 9.3 Illustration for Cheek Position

9.3. Positioning for Ear / 15° Tilt

To position the device in the “cheek” position described above.

While maintaining the device the reference plane described above and pivoting against the ear, moves it outward away from the mouth by an angle of 15 degrees or until contact with the ear is lost (see figure below).

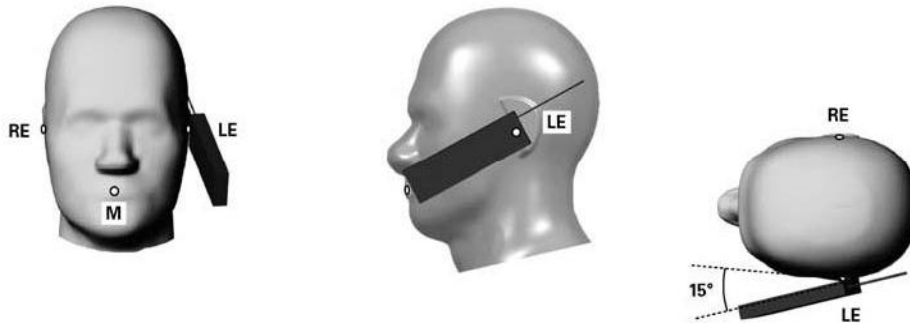


Fig 9.4 Illustration for Tilted Position

9.4. SAR Evaluations near the Mouth/Jaw Regions of the SAM Phantom

Antennas located near the bottom of a phone may require SAR measurements around the mouth and jaw regions of the SAM head phantom. This typically applies to clam-shell style phones that are generally longer in the unfolded normal use positions or to certain older style long rectangular phones.

Under these circumstances, the following procedures apply, adopted from the FCC guidance on SAR handsets document FCC KDB Publication 648474 D04v01r03. The SAR required in these regions of SAM should be measured using a flat phantom. The phone should be positioned with a separation distance of 4 mm between the ear reference point (ERP) and the outer surface of the flat phantom shell. While maintaining this distance at the ERP location, the low (bottom) edge of the phone should be lowered from the phantom to establish the same separation distance between the peak SAR locations identified by the truncated partial SAR distribution measured with the SAM phantom. The distance from the peak SAR location to the phone is determined by the straight line passing perpendicularly through the phantom surface. When it is not feasible to maintain 4 mm separation at the ERP while also establishing the required separation at the peak SAR location, the top edge of the phone will be allowed to touch the phantom with a separation < 4 mm at the ERP. The phone should not be tilted to the left or right while placed in this inclined position to the flat phantom.

9.5. Body-worn Configurations

The body-worn configurations shall be tested with the supplied accessories (belt-clips, holsters, etc.) attached to the device in normal use configuration.

For body-worn and other configurations a flat phantom shall be used which is comprised of material with electrical properties similar to the corresponding tissues.

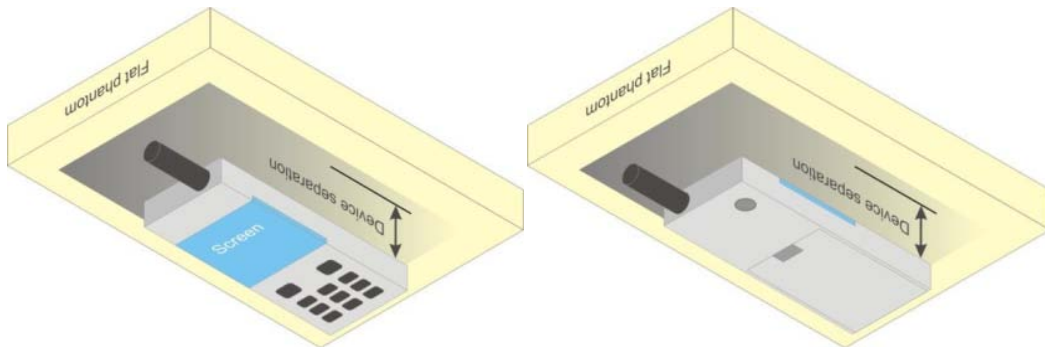


Fig 9.5 Illustration for Body Worn Position

9.6. Hotspot Mode Exposure Position Conditions

For handsets that support hotspot mode operations, with wireless router capabilities and various web browsing functions, the relevant hand and body exposure conditions are tested according to the hotspot SAR procedures in KDB 941225. A test separation distance of 10 mm is required between the phantom and all surfaces and edges with a transmitting antenna located within 25 mm from that surface or edge. When the form factor of a handset is smaller than 9 cm x 5 cm, a test separation distance of 5 mm (instead of 10 mm) is required for testing hotspot mode. When the separation distance required for body-worn accessory testing is larger than or equal to that tested for hotspot mode, in the same wireless mode and for the same surface of the phone, the hotspot mode SAR data may be used to support body-worn accessory SAR compliance for that particular configuration (surface).

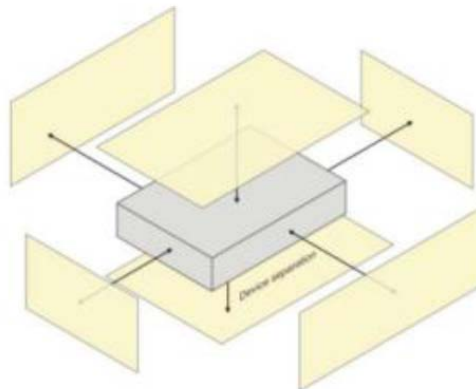


Fig 9.6 Illustration for Hotspot Position

10. Measurement Procedures

The measurement procedures are as follows:

<Conducted power measurement>

- (a) For WWAN power measurement, use base station simulator to configure EUT WWAN transmission in conducted connection with RF cable, at maximum power in each supported wireless interface and frequency band.
- (b) Read the WWAN RF power level from the base station simulator.
- (c) For WLAN/BT power measurement, use engineering software to configure EUT WLAN/BT continuously transmission, at maximum RF power in each supported wireless interface and frequency band.
- (d) Connect EUT RF port through RF cable to the power meter, and measure WLAN/BT output power.

<SAR measurement>

- (a) Use base station simulator to configure EUT WWAN transmission in radiated connection, and engineering software to configure EUT WLAN/BT continuously transmission, at maximum RF power, in the highest power channel.
- (b) Place the EUT in the positions as Appendix D demonstrates.
- (c) Set scan area, grid size and other setting on the DASY software.
- (d) Measure SAR results for the highest power channel on each testing position.
- (e) Find out the largest SAR result on these testing positions of each band.
- (f) Measure SAR results for other channels in worst SAR testing position if the reported SAR of highest power channel is larger than 0.8 W/kg.

According to the test standard, the recommended procedure for assessing the peak spatial-average SAR value consists of the following steps:

- (a) Power reference measurement.
- (b) Area scan.
- (c) Zoom scan.
- (d) Power drift measurement.

10.1. Spatial Peak SAR Evaluation

The procedure for spatial peak SAR evaluation has been implemented according to the test standard. It can be conducted for 1g and 10g, as well as for user-specific masses. The DASY software includes all numerical procedures necessary to evaluate the spatial peak SAR value. The base for the evaluation is a "cube" measurement. The measured volume must include the 1g and 10g cubes with the highest averaged SAR values. For that purpose, the center of the measured volume is aligned to the interpolated peak SAR value of a previously performed area



scan.

The entire evaluation of the spatial peak values is performed within the post-processing engine (SEMCAD). The system always gives the maximum values for the 1g and 10g cubes. The algorithm to find the cube with highest averaged SAR is divided into the following stages:

- (a) Extraction of the measured data (grid and values) from the Zoom Scan.
- (b) Calculation of the SAR value at every measurement point based on all stored data (A/D values and measurement parameters).
- (c) Generation of a high-resolution mesh within the measured volume.
- (d) Interpolation of all measured values from the measurement grid to the high-resolution grid.
- (e) Extrapolation of the entire 3-D field distribution to the phantom surface over the distance from sensor to surface.
- (f) Calculation of the averaged SAR within masses of 1g and 10g.

10.2. Power Reference Measurement

The Power Reference Measurement and Power Drift Measurements are for monitoring the power drift of the device under test in the batch process. The minimum distance of probe sensors to surface determines the closest measurement point to phantom surface. This distance cannot be smaller than the distance of sensor calibration points to probe tip as defined in the probe properties.

10.3. Area Scan Procedures

Area scans are defined prior to the measurement process being executed with a user defined variable spacing between each measurement point (integral) allowing low uncertainty measurements to be conducted. Scans defined for FCC applications utilize a 10mm² step integral, with 1mm interpolation used to locate the peak SAR area used for zoom scan assessments.

When an Area Scan has measured all reachable points, it computes the field maxima founding the scanned area, within a range of the global maximum. The range (in dB) is specified in the standards for compliance testing. For example, a 2 dB range is required in IEEE1528-2003.



10.4. Zoom Scan Procedures

Zoom Scans are used to assess the peak spatial SAR values within a cubic averaging volume containing 1 g and 10 g of simulated tissue. A density of 1000 kg/m³ is used to represent the head and body tissue density and not the phantom liquid density, in order to be consistent with the definition of the liquid dielectric properties, i.e. the side length of the 1g cube is 10mm, with the side length of the 10 g cube 21,5mm. The zoom scan integer steps can be user defined so as to reduce uncertainty, but normal practice for typical test applications utilize a physical step of 5x5x7 (8mmx8mmx5mm) providing a volume of 32mm in the X & Y axis, and 30mm in the Z axis.

10.5. SAR Averaged Methods

In DASy, the interpolation and extrapolation are both based on the modified Quadratic Sheppard's method. The interpolation scheme combines a least-square fitted function method and a weighted average method which are the two basic types of computational interpolation and approximation.

Extrapolation routines are used to obtain SAR values between the lowest measurement points and the inner phantom surface. The extrapolation distance is determined by the surface detection distance and the probe sensor offset. The uncertainty increases with the extrapolation distance. To keep the uncertainty within 1% for the 1 g and 10 g cubes, the extrapolation distance should not be larger than 5 mm.

10.6. Power Drift Monitoring

All SAR testing is under the DUT install full charged battery and transmit maximum output power. In DASy measurement software, the power reference measurement and power drift measurement procedures are used for monitoring the power drift of DUT during SAR test. Both these procedures measure the field at a specified reference position before and after the SAR testing. The software will calculate the field difference in dB. If the power drift more than 5%, the SAR will be retested.

11. SAR Test Procedure

11.1. General Scan Requirements

Probe boundary effect error compensation is required for measurements with the probe tip closer than half a probe tip diameter to the phantom surface. Both the probe tip diameter and sensor offset distance must satisfy measurement protocols; to ensure probe boundary effect errors are minimized and the higher fields closest to the phantom surface can be correctly measured and extrapolated to the phantom surface for computing 1-g SAR. Tolerances of the post-processing algorithms must be verified by the test laboratory for the scan resolutions used in the SAR measurements, according to the reference distribution functions specified in IEEE Std. 1528-2013.

		≤ 3 GHz	> 3 GHz
Maximum distance from closest measurement point (geometric center of probe sensors) to phantom surface		5 mm \pm 1 mm	$\frac{1}{2} \cdot \delta \cdot \ln(2)$ mm \pm 0.5 mm
Maximum probe angle from probe axis to phantom surface normal at the measurement location		$30^\circ \pm 1^\circ$	$20^\circ \pm 1^\circ$
Maximum area scan spatial resolution: ΔX_{Area} , ΔY_{Area}		≤ 2 GHz: ≤ 15 mm 2 – 3 GHz: ≤ 12 mm	3 – 4 GHz: ≤ 12 mm 4 – 6 GHz: ≤ 10 mm
		When the x or y dimension of the test device, in the measurement plane orientation, is smaller than the above, the measurement resolution must be \leq the corresponding x or y dimension of the test device with at least one measurement point on the test device.	
Maximum zoom scan spatial resolution: ΔX_{Zoom} , ΔY_{Zoom}		≤ 2 GHz: ≤ 8 mm 2 – 3 GHz: ≤ 5 mm*	3 – 4 GHz: ≤ 5 mm* 4 – 6 GHz: ≤ 4 mm*
Maximum zoom scan spatial resolution, normal to phantom surface	uniform grid: $\Delta Z_{Zoom}(n)$	≤ 5 mm	3 – 4 GHz: ≤ 4 mm 4 – 5 GHz: ≤ 3 mm 5 – 6 GHz: ≤ 2 mm
	graded grid $\Delta Z_{Zoom}(1)$: between 1 st two points closest to phantom surface	≤ 4 mm	3 – 4 GHz: ≤ 3 mm 4 – 5 GHz: ≤ 2.5 mm 5 – 6 GHz: ≤ 2 mm
	$\Delta Z_{Zoom}(n>1)$: between subsequent points	$\leq 1.5 \cdot \Delta Z_{Zoom}(n-1)$ mm	
Minimum zoom scan volume	x, y, z	≥ 30 mm	3 – 4 GHz: ≥ 28 mm 4 – 5 GHz: ≥ 25 mm 5 – 6 GHz: ≥ 22 mm
Note: δ is the penetration depth of a plane-wave at normal incidence to the tissue medium; see IEEE Std 1528-2013 for details. * When zoom scan is required and the <i>reported</i> SAR from the <i>area scan based 1-g SAR estimation</i> procedures of KDB Publication 447498 is ≤ 1.4 W/kg, ≤ 8 mm, ≤ 7 mm and ≤ 5 mm zoom scan resolution may be applied, respectively, for 2 GHz to 3 GHz, 3 GHz to 4 GHz and 4 GHz to 6 GHz.			



11.2. Test Procedure

The Following steps are used for each test position

1. Establish a call with the maximum output power with a base station simulator. The connection between the mobile and the base station simulator is established via air interface.
2. Measurement of the local E-field value at a fixed location. This value serves as a reference value for calculating a possible power drift.
3. Measurement of the SAR distribution with a grid of 8 to 16mm * 8 to 16 mm and a constant distance to the inner surface of the phantom. Since the sensors cannot directly measure at the inner phantom surface, the values between the sensors and the inner phantom surface are extrapolated. With these values the area of the maximum SAR is calculated by an interpolation scheme.
4. Around this point, a cube of 30 * 30 * 30 mm or 32 * 32 * 32 mm is assessed by measuring 5 or 8 * 5 or 8*4 or 5 mm. With these data, the peak spatial-average SAR value can be calculated.

11.3. Description of Interpolation/Extrapolation Scheme

The local SAR inside the phantom is measured using small dipole sensing elements inside a probe body. The probe tip must not be in contact with the phantom surface in order to minimize measurements errors, but the highest local SAR will occur at the surface of the phantom.

An extrapolation is using to determinate this highest local SAR values. The extrapolation is based on a fourth-order least-square polynomial fit of measured data. The local SAR value is then extrapolated from the liquid surface with a 1mm step.

The measurements have to be performed over a limited time (due to the duration of the battery) so the step of measurement is high. It could vary between 5 and 8 mm. To obtain an accurate assessment of the maximum SAR averaged over 10 grams and 1 gram requires a very fine resolution in the three dimensional scanned data array.

11.4. Wireless Router

Some battery-operated handsets have the capability to transmit and receive user through simultaneous transmission of WIFI simultaneously with a separate licensed transmitter. The FCC has provided guidance in FCC KDB Publication 941225 D06 v02r01 where SAR test considerations for handsets ($L \times W \geq 9 \text{ cm} \times 5 \text{ cm}$) are based on a composite test separation distance of 10 from the front, back and edges of the device containing transmitting antennas within



2.5cm of their edges, determined from general mixed use conditions for this type of devices. Since the hotspot SAR results may overlap with the body-worn accessory SAR requirements, the more conservative configurations can be considered, thus excluding some body-worn accessory SAR tests.

When the user enables the personal wireless router functions for the handset, actual operations include simultaneous transmission of both the WIFI transmitter and another licensed transmitter. Both transmitters often do not transmit at the same transmitting frequency and thus cannot be evaluated for SAR under actual use conditions due to the limitations of the SAR assessment probes. Therefore, SAR must be evaluated for each frequency transmission and mode separately and spatially summed with the WIFI transmitter according to FCC KDB Publication 447498 D01v06 publication procedures. The "Portable Hotspot" feature on the handset was NOT activated during SAR assessments, to ensure the SAR measurements were evaluated for a single transmission frequency RF signal at a time.



12. SAR Test Configuration

<GSM Mode>

A summary of these settings are illustrated below:

For GSM850 frequency band, the power control is set to 5 for GSM/GPRS mode (GSMK-CS1) and set to 8 for EDGE mode (MCS5); For GSM1900 frequency band, the power control is set to 0 for GSM/GPRS mode (GSMK-CS1) and set to 2 for EDGE mode (MCS5).

1. Per KDB 447498 D01v06, the maximum output power channel is used for SAR testing and for further SAR test reduction.
2. Per KDB 941225 D01v03r01, SAR test reduction for GSM / GPRS / EDGE modes is determined by the source-based time-averaged output power including tune-up tolerance. The mode with highest specified time-averaged output power should be tested for SAR compliance in the applicable exposure conditions. For modes with the same specified maximum output power and tolerance, the higher number time-slot configuration should be tested. Therefore, the GPRS (4Tx slots) for GSM850/GSM1900 is considered as the primary mode.
3. Other configurations of GSM / GPRS / EDGE are considered as secondary modes.

Timeslot consignations:

Remark:

1. The frame-averaged power is linearly reported the maximum burst averaged power over 8 time slots. The calculated method are shown as below:
The duty cycle "x" of different time slots as below:
1 TX slot is 1/8, 2 TX slots is 2/8, 3 TX slots is 3/8 and 4 TX slots is 4/8
Based on the calculation formula:
Frame-averaged power = Burst averaged power + 10 log (x)
So,
Frame-averaged power (1 TX slot) = Burst averaged power (1 TX slot)– 9.03
Frame-averaged power (2 TX slots) = Burst averaged power (2 TX slots)– 6.02
Frame-averaged power (3 TX slots) = Burst averaged power (3 TX slots)– 4.26
Frame-averaged power (4 TX slots) = Burst averaged power (4 TX slots) – 3.01
2. CS1 coding scheme was used in GPRS conducted power measurements and SAR testing, MCS5 coding scheme was used in EGPRS conducted power measurements and SAR testing (if necessary).

No. of Slots:	Slot 1	Slot 2	Slot 3	Slot 4
Slot Consignation:	1Up4Down	2Up3Down	3Up2Down	4Up1Down
Duty Cycle:	1:8.3	1:4.15	1:2.77	1:2.08
Correct Factor:	-9.03dB	-6.02dB	-4.26dB	-3.01dB



<WCDMA Mode>

Summary of UMTS conducted power measurement:

1. The 3G SAR test reduction procedure is applied, when the maximum output power and tune-up tolerance specified for production units in a secondary mode is $\leq \frac{1}{4}$ dB higher than the primary mode, SAR measurement is not required for the secondary mode.
2. The following tests were conducted according to the test requirements outlines in 3GPP TS 34.121 specification.
3. The procedures in KDB 941225 D01v03r01 are applied for 3GPP Rel. 6 HSPA to configure the device in the required sub-test mode(s) to determine SAR test exclusion.
4. For HSPA+ devices supporting 16 QAM in the uplink, power measurements procedure is according to the configurations in Table C.11.1.4 of 3GPP TS 34.121-1.
5. Per KDB 941225 D01v03r01, RMC 12.2kbps setting is used to evaluate SAR. The maximum output power and tune-up tolerance specified for production units in HSDPA / HSUPA / DC-HSDPA / HSPA+ is $\leq \frac{1}{4}$ dB higher than RMC 12.2Kbps or when the highest reported SAR of the RMC12.2Kbps is scaled by the ratio of specified maximum output power and tune-up tolerance of HSDPA / HSUPA / DC-HSDPA / HSPA+ to RMC12.2Kbps and the adjusted SAR is ≤ 1.2 W/kg, SAR measurement is not required for HSDPA / HSUPA / DC-HSDPA / HSPA+, and according to the following RF output power, the output power results of the secondary modes (HSDPA / HSUPA / DC-HSDPA / HSPA+) are less than $\frac{1}{4}$ dB higher than the primary modes; therefore, SAR measurement is not required for HSDPA / HSUPA / DC-HSDPA / HSPA+.
6. A fixed level power reduction is applied for WCDMA Band II when handset open Hotspot mode, the power reduction triggered.

HSDPA Setup Configuration

Sub-test	β_c	β_d	β_d (SF)	β_c/β_d	$\beta_{hr}^{(1)}$	CM (dB) ⁽²⁾
1	2/15	15/15	64	2/15	4/15	0.0
2	12/15 ⁽³⁾	15/15 ⁽³⁾	64	12/15 ⁽³⁾	24/15	1.0
3	15/15	8/15	64	15/8	30/15	1.5
4	15/15	4/15	64	15/4	30/15	1.5

Note 1: Δ_{ACK} , Δ_{NACK} and $\Delta_{CQI} = 8 \Leftrightarrow A_{hr} = \beta_{hr}/\beta_c = 30/15 \Leftrightarrow \beta_{hr} = 30/15 * \beta_c$
 Note 2: CM = 1 for $\beta_c/\beta_d = 12/15$, $\beta_{hr}/\beta_c = 24/15$.
 Note 3: For subtest 2 the β_c/β_d ratio of 12/15 for the TFC during the measurement period (TF1, TF0) is achieved by setting the signaled gain factors for the reference TFC (TF1, TF1) to $\beta_c = 11/15$ and $\beta_d = 15/15$.

HSUPA Setup Configuration

Sub-test	β_c	β_d	β_d (SF)	β_c/β_d	$\beta_{hs}^{(1)}$	β_{ec}	β_{ed}	β_{ed} (SF)	β_{ed} (codes)	CM ⁽²⁾ (dB)	MPR (dB)	AG ⁽⁴⁾ Index	E-TFCI
1	11/15 ⁽³⁾	15/15 ⁽³⁾	64	11/15 ⁽³⁾	22/15	209/225	1039/225	4	1	1.0	0.0	20	75
2	6/15	15/15	64	6/15	12/15	12/15	94/75	4	1	3.0	2.0	12	67
3	15/15	9/15	64	15/9	30/15	30/15	$\beta_{ed1}: 47/15$ $\beta_{ed2}: 47/15$	4	2	2.0	1.0	15	92
4	2/15	15/15	64	2/15	4/15	2/15	56/75	4	1	3.0	2.0	17	71
5	15/15 ⁽⁴⁾	15/15 ⁽⁴⁾	64	15/15 ⁽⁴⁾	30/15	24/15	134/15	4	1	1.0	0.0	21	81

Note 1: $\Delta_{ACK}, \Delta_{NACK}$ and $\Delta_{CQI} = 8 \Leftrightarrow A_{hs} = \beta_{hs}/\beta_c = 30/15 \Leftrightarrow \beta_{hs} = 30/15 * \beta_c$.

Note 2: CM = 1 for $\beta_c/\beta_d = 12/15, \beta_{hs}/\beta_c = 24/15$. For all other combinations of DPDCH, DPCCH, HS-DPCCH, E-DPDCH and E-DPCCH the MPR is based on the relative CM difference.

Note 3: For subtest 1 the β_c/β_d ratio of 11/15 for the TFC during the measurement period (TF1, TF0) is achieved by setting the signaled gain factors for the reference TFC (TF1, TF1) to $\beta_c = 10/15$ and $\beta_d = 15/15$.

Note 4: For subtest 5 the β_c/β_d ratio of 15/15 for the TFC during the measurement period (TF1, TF0) is achieved by setting the signaled gain factors for the reference TFC (TF1, TF1) to $\beta_c = 14/15$ and $\beta_d = 15/15$.

Note 5: Testing UE using E-DPDCH Physical Layer category 1 Sub-test 3 is not required according to TS 25.306 Table 5.1g.

Note 6: β_{ed} cannot be set directly; it is set by Absolute Grant Value.

HSPA+ 3GPP release 7 (uplink category 7) 16QAM Setup Configuration:
Table C.11.1.4: β values for transmitter characteristics tests with HS-DPCCH and E-DCH with 16QAM

Sub-test	β_c (Note 3)	β_d	β_{hs} (Note 1)	β_{ec}	β_{ed} (2xSF2) (Note 4)	β_{ed} (2xSF4) (Note 4)	CM (dB) (Note 2)	MPR (dB) (Note 2)	AG Index (Note 4)	E-TFCI (Note 5)	E-TFCI (boost)
1	1	0	30/15	30/15	$\beta_{ed1}: 30/15$ $\beta_{ed2}: 30/15$	$\beta_{ed3}: 24/15$ $\beta_{ed4}: 24/15$	3.5	2.5	14	105	105

Note 1: $\Delta_{ACK}, \Delta_{NACK}$ and $\Delta_{CQI} = 30/15$ with $\beta_{hs} = 30/15 * \beta_c$.

Note 2: CM = 3.5 and the MPR is based on the relative CM difference, MPR = MAX(CM-1,0).

Note 3: DPDCH is not configured, therefore the β_c is set to 1 and $\beta_d = 0$ by default.

Note 4: β_{ed} can not be set directly; it is set by Absolute Grant Value.

Note 5: All the sub-tests require the UE to transmit 2SF2+2SF4 16QAM EDCH and they apply for UE using E-DPDCH category 7. E-DCH TTI is set to 2ms TTI and E-DCH table index = 2. To support these E-DCH configurations DPDCH is not allocated. The UE is signaled to use the extrapolation algorithm.

**DC-HSDPA Setup Configuration**

The following tests were completed according to procedures in section 7.3.13 of 3GPP TS34.108 v9.5.0. A summary of these settings are illustrated below:

Downlink Physical Channels are set as per 3GPP TS34.121-1 v9.0.0 E.5.

Table E.5.0: Levels for HSDPA connection setup

Parameter During Connection setup	Unit	Value
P-CPICH_Ec/Ior	dB	-10
P-CCPCH and SCH_Ec/Ior	dB	-12
PICH_Ec/Ior	dB	-15
HS-PDSCH	dB	off
HS-SCCH_1	dB	off
DPCH_Ec/Ior	dB	-5
OCNS_Ec/Ior	dB	-3.1

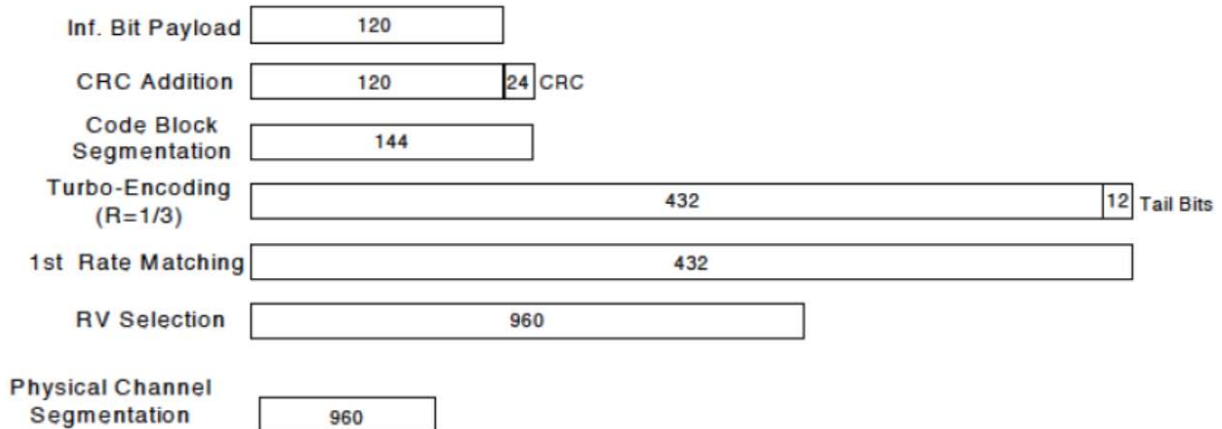
Call is set up as per 3GPP TS34.108 v9.5.0 sub clause 7.3.13

The configurations of the fixed reference channels for HSDPA RF tests are described in 3GPP TS 34.121, annex C for FDD and 3GPP TS 34.122.

Table C.8.1.12: Fixed Reference Channel H-Set 12

Parameter	Unit	Value
Nominal Avg. Inf. Bit Rate	kbps	60
Inter-TTI Distance	TTI's	1
Number of HARQ Processes	Processes	6
Information Bit Payload (N_{INF})	Bits	120
Number Code Blocks	Blocks	1
Binary Channel Bits Per TTI	Bits	960
Total Available SML's in UE	SML's	19200
Number of SML's per HARQ Proc.	SML's	3200
Coding Rate		0.15
Number of Physical Channel Codes	Codes	1
Modulation		QPSK
Note 1: The RMC is intended to be used for DC-HSDPA mode and both cells shall transmit with identical parameters as listed in the table. Note 2: Maximum number of transmission is limited to 1, i.e., retransmission is not allowed. The redundancy and constellation version 0 shall be used.		

CCC


Figure C.8.19: Coding rate for Fixed reference Channel H-Set 12 (QPSK)



<CDMA Mode>

1xEV-DO Rev. B

Call box setup procedure

1xEV-DO Release B

1> CMW 500 Signal Generator > 1xEV-DO Taskbar Enable

2> CMW 500 1xEV-DO Signaling Configuration Window >

3> 1xEV-DO Signaling On Window:

Under Access Network Control:

Band Class: BC0: US Cellular

RF Channel: 31

1xEV-DO Power: -70 dBm

4> 1xEV-DO Signaling Configuration Window

Under RF Frequency Band / Channel: Enter Ch. Frequency

- Under Carrier Configuration: RF Frequency
For Two Carriers: Low Channel (1013)

	<u>RF Channel</u>	<u>RF Channel Offset</u>
Carrier [0]	31	0
Carrier [1]	1013	982

- Under Carrier Configuration: RF Pilot
- | | <u>Carrier Sector</u> | <u>Active on AN</u> | <u>Assigned to AT</u> |
|-----------|-----------------------|---------------------|-----------------------|
| Pilot [0] | C0/S0 | ✓ | ✓ |
| | CA/S1 | ✓ | ✓ |

For Three Carriers: Low Channel (1013)

	<u>RF Channel</u>	<u>RF Channel Offset</u>
Carrier [0]	72	0
Carrier [1]	31	-41
Carrier [2]	1013	941

- Under Carrier Configuration: RF Pilot
- | | <u>Carrier Sector</u> | <u>Active on AN</u> | <u>Assigned to AT</u> |
|-----------|-----------------------|---------------------|-----------------------|
| Pilot [0] | C0/S0 | ✓ | ✓ |
| Pilot [1] | C1/S1 | ✓ | ✓ |
| Pilot [2] | C2/S2 | ✓ | ✓ |



<LTE Mode>

LTE Target MPR level

The device implements maximum power reduction per 3GPP 36.101 requirements where the MPR target is as below table. The MPR settings are implemented configured into firmware and cannot be disabled by the end user or LTE carrier network.

Modulation	Channel bandwidth / Transmission bandwidth configuration [RB]						MPR	3GPP
	1.4	3.0	5	10	15	20	Target	MPR
	MHz	MHz	MHz	MHz	MHz	MHz	(dB)	(dB)
QPSK	> 5	> 4	> 8	> 12	> 16	> 18	1	≤ 1
16 QAM	≤ 5	≤ 4	≤ 8	≤ 12	≤ 16	≤ 18	1	≤ 1
64 QAM	> 5	> 4	> 8	> 12	> 16	> 18	2	≤ 2

Note: The measurement result showed some difference from the target MPR level, due to expected 0.5dB measurement tolerance

LTE Bands

LTE Bands	Channel bandwidth / Transmission bandwidth configuration [RB]					
	1.4	3.0	5	10	15	20
	MHz	MHz	MHz	MHz	MHz	MHz
2	v	v	v	v	v	v
4	v	v	v	v	v	v
5	v	v	v	v	N/A	N/A
7	N/A	N/A	v	v	v	v
38	N/A	N/A	v	v	v	v
40A	N/A	N/A	v	v	N/A	N/A
40B	N/A	N/A	v	v	N/A	N/A
41	N/A	N/A	v	v	v	v

Note:

1. Per KDB 941225 D05v02r05, when a properly configured base station simulator is used for the SAR and power measurements, spectrum plots for each RB allocation and offset configuration is not required.
2. Per KDB 941225 D05v02r05, start with the largest channel bandwidth and measure SAR for QPSK with 1 RB allocation, using the RB offset and required test channel combination with the highest maximum output power for RB offsets at the upper edge, middle and lower edge of each required test channel.
3. Per KDB 941225 D05v02r05, 50% RB allocation for QPSK SAR testing follows 1RB QPSK allocation procedure.
4. Per KDB 941225 D05v02r05, for QPSK with 100% RB allocation, SAR is not required when the highest maximum output power for 100 % RB allocation is less than the highest maximum output power in 50% and 1 RB allocations and the highest reported SAR for 1 RB and 50% RB



allocation are ≤ 0.8 W/kg. Otherwise, SAR is measured for the highest output power channel; and if the reported SAR is > 1.45 W/kg, the remaining required test channels must also be tested.

5. Per KDB 941225 D05v02r05, 16QAM/64QAM output power for each RB allocation configuration is $>$ not $\frac{1}{2}$ dB higher than the same configuration in QPSK and the reported SAR for the QPSK configuration is ≤ 1.45 W/kg; Per KDB941225 D05v02r05, 16QAM/64QAM SAR testing is not required.
6. Per KDB 941225 D05v02r05, smaller bandwidth output power for each RB allocation configuration is $>$ not $\frac{1}{2}$ Db higher than the same configuration in the largest supported bandwidth, and the reported SAR for the largest supported band width is ≤ 1.45 W/kg; Per KDB 941225 D05v02r05, smaller bandwidth SAR testing is not required.
7. For LTE B4 / B5 / B7 / B17 the maximum bandwidth does not support three non-overlapping channels, per KDB941225 D05v02r05, when a device supports overlapping channel assignment in a channel bandwidth configuration, the middle channel of the group of overlapping channels should be selected for testing.
8. LTE band 2 / 12 SAR test was covered by Band 25 / 17; according to April 2015 TCB workshop, SAR test for overlapping LTE bands can be reduced if
 - a. The maximum output power, including tolerance, for the smaller band is \leq the larger band to qualify for the SAR test exclusion.
 - b. The channel bandwidth and other operating parameters for the smaller band are fully supported by the larger band.
9. According to 2017 TCB workshop, for 64 QAM and 16 QAM should be verified by checking the signal constellation with a call box to avoid incorrect maximum power levels due to MPR and other requirements associated with signal modulation, and the following figure is taken from the "Fundamental Measurement >> Modulation Analysis >>constellation" mode of the device connect to the CMW500 base station, therefore, the device 64QAM and 16QAM signal modulation are correct. Identify if Maximum Power Reduction (MPR) is optional or mandatory, i.e. built-in by design: only mandatory MPR may be considered during SAR testing, when the maximum output power is permanently limited by the MPR implemented within the UE; and only for the applicable RB (resource block) configurations specified in LTE standards: b) A-MPR (additional MPR) must be disabled.
10. Per KDB 447498 D01v06, the reported SAR is the measured SAR value adjusted for maximum tune-up tolerance.
 - a. Tune-up scaling Factor = tune-up limit power (mW) / EUT RF power (mW), where tune-up limit is the maximum rated power among all production units.
 - b. For SAR testing of WLAN signal with non-100% duty cycle, the measured SAR is scaled-up by the duty cycle scaling factor which is equal to "1/(duty cycle)"
 - c. For WWAN: Reported SAR(W/kg)= Measured SAR(W/kg)*Tune-up Scaling Factor
 - d. For WLAN/Bluetooth: Reported SAR(W/kg)= Measured SAR(W/kg)* Duty Cycle scaling

- factor * Tune-up scaling factor
- e. For TDD LTE SAR measurement, the duty cycle 1:1.59 (62.9 %) was used perform testing and considering the theoretical duty cycle of 63.3% for extended cyclic prefix in the uplink, and the theoretical duty cycle of 62.9% for normal cyclic prefix in uplink, a scaling factor of extended cyclic prefix $63.3\%/62.9\% = 1.006$ is applied to scale-up the measured SAR result. The Reported TDD LTE SAR = measured SAR (W/kg)* Tune-up Scaling Factor* scaling factor for extended cyclic prefix.
11. Per KDB 447498 D01v06, for each exposure position, testing of other required channels within the operating mode of a frequency band is not required when the reported 1-g or 10-g SAR for the mid-band or highest output power channel ≤ 0.8 W/kg or 2.0 W/kg, for 1-g or 10-g respectively, when the transmission band is ≤ 100 MHz ≤ 0.6 W/kg or 1.5 W/kg, for 1-g or 10-g respectively, when the transmission band is between 100 MHz and 200 MHz ≤ 0.4 W/kg or 1.0 W/kg, for 1-g or 10-g respectively, when the transmission band is ≥ 200 MHz
 12. Per KDB 865664 D01v01r04, for each frequency band, repeated SAR measurement is required only when the measured SAR is ≥ 0.8 W/kg.
 13. Per KDB 648474 D04v01r03, when the reported SAR for a body-worn accessory measured without a headset connected to the handset is ≤ 1.2 W/kg, SAR testing with a headset connected to the handset is not required.

<WLAN 2.4GHz>

1. SAR is measured for 2.4 GHz 802.11b DSSS using either the fixed test position or, when applicable, the initial test position procedure. SAR test reduction is determined according to the following:
 - a. When the reported SAR of the highest measured maximum output power channel for the exposure configuration is ≤ 0.8 W/kg, no further SAR testing is required for 802.11b DSSS in that exposure configuration.
 - b. When the reported SAR is > 0.8 W/kg, SAR is required for that position using the next highest measured output power channel. When any reported SAR is > 1.2 W/kg, SAR is required for the third channel; i.e., all channels require testing.
2. 2.4 GHz 802.11 g/n OFDM are additionally evaluated for SAR if the highest reported SAR for 802.11b, adjusted by the ratio of the OFDM to DSSS specified maximum output power, is > 1.2 W/kg. When SAR is required for OFDM modes in 2.4 GHz band, the Initial Test configuration Procedures should be followed.
3. For held-to-ear and hotspot operations, the initial test position procedures were applied. The test position with the highest extrapolated peak SAR will be used as the initial test position. When reported SAR for the initial test position is ≤ 0.4 W/kg, no additional testing for the remaining test positions was required. Otherwise, SAR is evaluated at the subsequent highest peak SAR positions until the reported SAR result is ≤ 0.8 W/kg or all test positions are measured.
4. Justification for test configurations for WLAN per KDB Publication 248227 D02DR02-41929 for



2.4 GHz WI-FI single transmission chain operations, the highest measured maximum output power channel for DSSS was selected for SAR measurement. SAR for OFDM modes (2.4 GHz/802.11g/n) was not required due to the maximum allowed powers and the highest reported DSSS SAR.

5. A fixed level power reduction is applied for WiFi when handset operates "held to the body" condition or "held to the ear" condition, the power reduction triggered by audio receiver detection and call establish status.
6. Per KDB 248227 D01v02r02, In the 2.4 GHz band, separate SAR procedures are applied to DSSS and OFDM configurations to simplify DSSS test requirements. SAR is not required for the following 2.4 GHz OFDM conditions:
 - a. When KDB Publication 447498 SAR test exclusion applies to the OFDM configuration.
 - b. When the highest reported SAR for DSSS is adjusted by the ratio of OFDM to DSSS specified maximum output power and the adjusted SAR is ≤ 1.2 W/kg.

<WLAN 5GHz>

A) U-NII-1 and U-NII-2A Bands

For devices that operate in only one of the U-NII-1 and U-NII-2A bands, the normally required SAR procedures for OFDM configurations are applied. For devices that operate in both U-NII bands using the same transmitter and antenna(s), SAR test reduction is determined according to the following:

1. When the same maximum output power is specified for both bands, begin SAR measurement in U-NII-2A band by applying the OFDM SAR requirements. If the highest reported SAR for a test configuration is ≤ 1.2 W/kg, SAR is not required for U-NII-1 band for that configuration (802.11 mode and exposure condition); otherwise, both bands are tested independently for SAR.
2. When different maximum output power is specified for the bands, begin SAR measurement in the band with higher specified maximum output power. The highest reported SAR for the tested configuration is adjusted by the ratio of lower to higher specified maximum output power for the two bands. When the adjusted SAR is ≤ 1.2 W/kg, SAR is not required for the band with lower maximum output power in that test configuration; otherwise, both bands are tested independently for SAR.
3. The two U-NII bands may be aggregated to support a 160 MHz channel on channel number 50.
4. Without additional testing, the maximum output power for this is limited to the lower of the maximum output power certified for the two bands. When SAR measurement is required for at least one of the bands and the highest reported SAR adjusted by the ratio of specified maximum output power of aggregated to standalone band is > 1.2 W/kg, SAR is required for the 160 MHz channel. This procedure does not apply to an aggregated band with maximum output higher than the standalone band(s); the aggregated band must be tested independently for SAR. SAR is not required when the 160 MHz channel is operating at a reduced maximum power and also qualifies for SAR test exclusion.

B) U-NII-2C and U-NII-3 Bands



The frequency range covered by these bands is 380 MHz (5.47 – 5.85 GHz), which requires a minimum of at least two SAR probe calibration frequency points to support SAR measurements. When Terminal Doppler Weather Radar (TDWR) restriction applies, all channels that operate at 5.60 – 5.65 GHz must be included to apply the SAR test reduction and measurement procedures. When the same transmitter and antenna(s) are used for U-NII-2C band and U-NII-3 band or 5.8 GHz band of §15.247, the bands may be aggregated to enable additional channels with 20, 40 or 80 MHz bandwidth to span across the band gap, as illustrated in Appendix B. The maximum output power for the additional band gap channels is limited to the lower of those certified for the bands. Unless band gap channels are permanently disabled, they must be considered for SAR testing. The frequency range covered by these bands is 380 MHz (5.47 – 5.85 GHz), which requires a minimum of at least two SAR probe calibration frequency points to support SAR measurements. To maintain SAR measurement accuracy and to facilitate test reduction, the channels in U-NII-2C band above 5.65 GHz may be grouped with the 5.8 GHz channels in U-NII-3 or §15.247 band to enable two SAR probe calibration frequency points to cover the bands, including the band gap channels. When band gap channels are supported and the bands are not aggregated for SAR testing, band gap channels must be considered independently in each band according to the normally required OFDM SAR measurement and probe calibration frequency points requirements.

C) OFDM Transmission Mode SAR Test Configuration and Channel Selection Requirements

The initial test configuration for 5 GHz OFDM transmission modes is determined by the 802.11 configuration with the highest maximum output power specified for production units, including tune-up tolerance, in each standalone and aggregated frequency band. SAR for the initial test configuration is measured using the highest maximum output power channel determined by the default power measurement procedures. When multiple configurations in a frequency band have the same specified maximum output power, the initial test configuration is determined according to the following steps applied sequentially.

1. The largest channel bandwidth configuration is selected among the multiple configurations with the same specified maximum output power.
2. If multiple configurations have the same specified maximum output power and largest channel bandwidth, the lowest order modulation among the largest channel bandwidth configurations is selected.
3. If multiple configurations have the same specified maximum output power, largest channel bandwidth and lowest order modulation, the lowest data rate configuration among these configurations is selected.
4. When multiple transmission modes (802.11a/g/n/ac) have the same specified maximum output power, largest channel bandwidth, lowest order modulation and lowest data rate, the lowest order 802.11 mode is selected; i.e., 802.11a is chosen over 802.11n then 802.11ac or 802.11g is chosen over 802.11n. After an initial test configuration is determined, if multiple test channels have the same measured maximum output power, the channel chosen for SAR measurement is determined according to the following. These channel selection procedures apply to both the



initial test configuration and subsequent test configuration(s), with respect to the default power measurement procedures or additional power measurements required for further SAR test reduction. The same procedures also apply to subsequent highest output power channel(s) selection.

5. The channel closest to mid-band frequency is selected for SAR measurement.
6. For channels with equal separation from mid-band frequency; for example, high and low channels or two mid-band channels, the higher frequency (number) channel is selected for SAR measurement.

D) SAR Test Requirements for OFDM configurations

When SAR measurement is required for 802.11 a/n/ac OFDM configurations, each standalone and frequency aggregated band is considered separately for SAR test reduction. When the same transmitter and antenna(s) are used for U-NII-1 and U-NII-2A bands, additional SAR test reduction Vapplies. When band gap channels between U-NII-2C band and 5.8 GHz U-NII-3 or §15.247 band are supported, the highest maximum output power transmission mode configuration and maximum output power channel across the bands must be used to determine SAR test reduction, according to the initial test configuration and subsequent test configuration requirements. In applying the initial test configuration and subsequent test configuration procedures, the 802.11 transmission configuration with the highest specified maximum output power and the channel within a test configuration with the highest measured maximum output power should be clearly distinguished to apply the procedures.

13. Conducted RF Output Power

13.1. Full Power

➤ GSM Conducted Power

GSM850	Burst Average Power (dBm)			Tune-up Limit (dBm)	Frame-Average Power (dBm)			Tune-up Limit (dBm)
	TX Channel	128	189		251	128	189	
Frequency (MHz)	824.2	836.4	848.8		824.2	836.4	848.8	
GSM 1 Tx slot	32.77	32.30	32.40	33.30	23.77	23.30	23.40	24.30
GPRS 1 Tx slot	32.76	32.33	32.35	33.30	23.76	23.33	23.35	6.00
GPRS 2 Tx slots	29.97	29.55	29.65	30.30	23.97	23.55	23.65	24.30
GPRS 3 Tx slots	27.45	27.41	27.12	28.30	23.19	23.15	22.86	24.04
GPRS 4 Tx slots	26.45	26.50	26.02	27.30	23.45	23.50	23.02	24.30
EDGE 1 Tx slot	26.40	26.44	26.23	27.30	17.40	17.44	17.23	18.30
EDGE 2 Tx slots	26.07	26.23	26.07	27.30	20.07	20.23	20.07	21.30
EDGE 3 Tx slots	25.90	25.95	25.87	26.30	21.64	21.69	21.61	22.04
EDGE 4 Tx slots	25.76	25.75	25.51	26.30	22.76	22.75	22.51	23.30

GSM1900	Burst Average Power (dBm)			Tune-up Limit (dBm)	Frame-Average Power (dBm)			Tune-up Limit (dBm)
	TX Channel	512	661		810	512	661	
Frequency (MHz)	1850.2	1880	1909.8		1850.2	1880	1909.8	
GSM 1 Tx slot	29.01	29.42	29.42	30.30	20.01	20.42	20.42	21.30
GPRS 1 Tx slot	29.03	29.48	29.40	30.30	20.03	20.48	20.40	21.30
GPRS 2 Tx slots	27.38	27.30	27.20	28.30	21.38	21.30	21.20	22.30
GPRS 3 Tx slots	25.05	24.90	24.74	25.30	20.79	20.64	20.48	21.04
GPRS 4 Tx slots	23.81	23.73	23.60	24.30	20.81	20.73	20.60	21.30
EDGE 1 Tx slot	25.81	25.79	25.60	26.30	16.81	16.79	16.60	17.30
EDGE 2 Tx slots	25.68	25.65	25.47	26.30	19.68	19.65	19.47	20.30
EDGE 3 Tx slots	24.86	24.87	24.65	25.30	20.60	20.61	20.39	21.04
EDGE 4 Tx slots	23.62	23.57	23.38	24.30	20.62	20.57	20.38	21.30

Timeslot consignations:

No. of Slots	Slot 1	Slot 2	Slot 3	Slot 4
Slot Consignation	1Up4Down	2Up3Down	3Up2Down	4Up1Down
Duty Cycle	1:8.3	1:4.15	1:2.77	1:2.08
Correct Factor	-9.03dB	-6.02dB	-4.26dB	-3.01dB



➤ **WCDMA Conducted Power**

Band		WCDMA Band II			Tune-up Limit (dBm)
TX Channel		9262	9400	9538	
Rx Channel		9662	9800	9938	
Frequency (MHz)		1852.4	1880	1907.6	
3GPP Rel 99	RMC 12.2Kbps	22.94	23.04	22.87	23.80
3GPP Rel 5	HSDPA Subtest-1	22.27	22.17	22.25	22.80
3GPP Rel 5	HSDPA Subtest-2	22.29	22.20	22.23	22.80
3GPP Rel 5	HSDPA Subtest-3	21.82	21.69	21.74	22.30
3GPP Rel 5	HSDPA Subtest-4	21.76	21.69	21.73	22.30
3GPP Rel 6	HSUPA Subtest-1	22.20	22.07	22.16	23.30
3GPP Rel 6	HSUPA Subtest-2	20.14	20.07	20.13	21.30
3GPP Rel 6	HSUPA Subtest-3	21.18	21.07	21.13	22.30
3GPP Rel 6	HSUPA Subtest-4	20.17	20.04	20.11	21.30
3GPP Rel 6	HSUPA Subtest-5	22.18	22.09	22.15	23.30
3GPP Rel 7	HSPA+ (16QAM) Subtest-1	20.58	20.52	20.54	20.80

Band		WCDMA Band IV			Tune-up Limit (dBm)
TX Channel		1312	1413	1513	
Rx Channel		1537	1638	1738	
Frequency (MHz)		1712.4	1732.6	1752.6	
3GPP Rel 99	RMC 12.2Kbps	22.70	22.76	22.86	23.80
3GPP Rel 5	HSDPA Subtest-1	21.98	22.06	22.15	22.80
3GPP Rel 5	HSDPA Subtest-2	21.94	22.08	22.14	22.80
3GPP Rel 5	HSDPA Subtest-3	21.44	21.53	21.64	22.30
3GPP Rel 5	HSDPA Subtest-4	21.43	21.24	21.62	22.30
3GPP Rel 6	HSUPA Subtest-1	21.93	22.00	22.09	23.30
3GPP Rel 6	HSUPA Subtest-2	19.90	20.00	20.11	21.30
3GPP Rel 6	HSUPA Subtest-3	20.89	21.03	21.09	22.30
3GPP Rel 6	HSUPA Subtest-4	19.91	20.01	20.06	21.30
3GPP Rel 6	HSUPA Subtest-5	21.92	22.01	22.09	23.30
3GPP Rel 7	HSPA+ (16QAM) Subtest-1	20.25	20.48	20.67	20.80



Band		WCDMA Band V			Tune-up Limit (dBm)
TX Channel		4132	4183	4233	
Rx Channel		4357	4408	4458	
Frequency (MHz)		826.4	836.6	846.6	
3GPP Rel 99	RMC 12.2Kbps	23.31	23.36	23.49	24.10
3GPP Rel 5	HSDPA Subtest-1	22.48	22.48	22.53	23.80
3GPP Rel 5	HSDPA Subtest-2	22.49	22.51	22.50	23.80
3GPP Rel 5	HSDPA Subtest-3	21.98	22.03	21.99	23.30
3GPP Rel 5	HSDPA Subtest-4	21.99	21.99	22.01	23.30
3GPP Rel 6	HSUPA Subtest-1	22.51	22.49	22.48	23.80
3GPP Rel 6	HSUPA Subtest-2	20.46	20.49	20.50	21.80
3GPP Rel 6	HSUPA Subtest-3	21.47	21.49	21.47	22.80
3GPP Rel 6	HSUPA Subtest-4	20.44	20.48	20.48	21.80
3GPP Rel 6	HSUPA Subtest-5	22.50	22.52	22.49	23.80
3GPP Rel 7	HSPA+ (16QAM) Subtest-1	21.17	21.15	21.14	21.30



➤ LTE Conducted Power

<FDD-LTE Band 2>

BW [MHz]	Modulation	RB Size	RB Offset	Low Channel	Middle Channel	High Channel	Tune-up limit (dBm)
Channel				18700	18900	19100	
Frequency (MHz)				1860	1880	1900	
20	QPSK	1	0	22.56	22.50	22.38	23.80
20	QPSK	1	49	22.69	22.33	22.37	
20	QPSK	1	99	22.34	22.46	22.26	
20	QPSK	50	0	21.51	21.60	21.43	22.80
20	QPSK	50	24	21.63	21.55	21.34	
20	QPSK	50	50	21.51	21.49	21.39	
20	QPSK	100	0	21.54	21.52	21.46	
20	16QAM	1	0	22.12	22.16	22.10	22.80
20	16QAM	1	49	21.84	21.89	21.84	
20	16QAM	1	99	21.73	21.77	21.70	
20	16QAM	50	0	20.60	20.68	20.57	21.80
20	16QAM	50	24	20.68	20.68	20.47	
20	16QAM	50	50	20.62	20.70	20.49	
20	16QAM	100	0	20.66	20.52	20.53	
20	64QAM	1	0	21.76	21.87	21.57	21.80
20	64QAM	1	49	21.59	21.64	21.53	
20	64QAM	1	99	21.50	21.58	21.46	
20	64QAM	50	0	20.70	20.75	20.52	21.80
20	64QAM	50	24	20.74	20.63	20.49	
20	64QAM	50	50	20.64	20.61	20.45	
20	64QAM	100	0	20.64	20.62	20.57	
Channel				18675	18900	19125	Tune-up limit (dBm)
Frequency (MHz)				1857.5	1880	1902.5	
15	QPSK	1	0	22.56	22.50	22.36	23.80
15	QPSK	1	37	22.73	22.49	22.49	
15	QPSK	1	74	22.60	22.43	22.33	
15	QPSK	36	0	21.67	21.47	21.34	22.80
15	QPSK	36	20	21.52	21.51	21.31	
15	QPSK	36	39	21.63	21.59	21.32	
15	QPSK	75	0	22.50	22.51	22.33	
15	16QAM	1	0	22.15	22.14	22.16	22.80



15	16QAM	1	37	22.04	22.06	22.00	
15	16QAM	1	74	21.85	21.75	21.73	
15	16QAM	36	0	20.66	20.66	20.38	22.80
15	16QAM	36	20	20.75	20.66	20.50	
15	16QAM	36	39	20.65	20.61	20.42	
15	16QAM	75	0	21.61	21.61	21.46	
15	64QAM	1	0	22.07	21.59	21.59	22.80
15	64QAM	1	37	21.64	21.75	21.71	
15	64QAM	1	74	22.04	21.76	21.64	
15	64QAM	36	0	20.77	20.60	20.34	22.80
15	64QAM	36	20	20.67	20.55	20.46	
15	64QAM	36	39	20.73	20.58	20.37	
15	64QAM	75	0	21.62	21.64	21.37	
Channel				18650	18900	19150	Tune-up limit (dBm)
Frequency (MHz)				1855	1880	1905	
10	QPSK	1	0	22.54	22.64	22.34	23.80
10	QPSK	1	25	22.58	22.32	22.31	
10	QPSK	1	49	22.55	22.48	22.38	
10	QPSK	25	0	21.52	21.47	21.26	22.80
10	QPSK	25	12	21.45	21.51	21.29	
10	QPSK	25	25	21.56	21.41	21.26	
10	QPSK	50	0	21.52	21.50	21.27	
10	16QAM	1	0	21.61	21.53	21.58	22.80
10	16QAM	1	25	21.72	21.59	21.86	
10	16QAM	1	49	22.02	21.79	21.62	
10	16QAM	25	0	20.64	20.67	20.40	21.80
10	16QAM	25	12	20.63	20.63	20.45	
10	16QAM	25	25	20.60	20.57	20.40	
10	16QAM	50	0	20.62	20.60	20.36	
10	64QAM	1	0	21.76	21.69	21.51	22.80
10	64QAM	1	25	21.89	21.85	21.55	
10	64QAM	1	49	21.77	21.90	21.45	
10	64QAM	25	0	20.56	20.58	20.41	21.80
10	64QAM	25	12	20.67	20.53	20.44	
10	64QAM	25	25	20.65	20.51	20.32	
10	64QAM	50	0	20.59	20.52	20.34	
Channel				18625	18900	19175	18625



Frequency (MHz)				1852.5	1880	1907.5	1852.5
5	QPSK	1	0	22.62	22.37	22.35	23.80
5	QPSK	1	12	22.50	22.42	22.28	
5	QPSK	1	24	22.57	22.35	22.32	
5	QPSK	12	0	21.48	21.55	21.27	22.80
5	QPSK	12	7	21.49	21.53	21.32	
5	QPSK	12	13	21.43	21.51	21.29	
5	QPSK	25	0	21.44	21.47	21.22	
5	16QAM	1	0	21.85	21.71	21.77	22.80
5	16QAM	1	12	21.99	21.75	21.66	
5	16QAM	1	24	21.85	21.84	21.57	
5	16QAM	12	0	20.55	20.63	20.38	21.80
5	16QAM	12	7	20.74	20.56	20.29	
5	16QAM	12	13	20.59	20.62	20.40	
5	16QAM	25	0	20.51	20.61	20.38	
5	64QAM	1	0	21.76	22.07	21.83	22.80
5	64QAM	1	12	21.64	22.05	21.76	
5	64QAM	1	24	21.68	22.07	21.67	
5	64QAM	12	0	20.56	20.61	20.42	21.80
5	64QAM	12	7	20.60	20.62	20.44	
5	64QAM	12	13	20.60	20.46	20.29	
5	64QAM	25	0	20.44	20.58	20.40	
Channel				18615	18900	19185	Tune-up limit (dBm)
Frequency (MHz)				1851.5	1880	1908.5	
3	QPSK	1	0	22.58	22.47	22.20	23.80
3	QPSK	1	8	22.63	22.46	22.31	
3	QPSK	1	14	22.52	22.48	22.31	
3	QPSK	8	0	21.52	21.37	21.24	22.80
3	QPSK	8	4	21.47	21.55	21.27	
3	QPSK	8	7	21.52	21.44	21.34	
3	QPSK	15	0	21.45	21.41	21.28	
3	16QAM	1	0	21.65	22.01	21.67	22.80
3	16QAM	1	8	22.10	22.02	21.85	
3	16QAM	1	14	21.97	21.67	21.83	
3	16QAM	8	0	20.58	20.62	20.41	21.80
3	16QAM	8	4	20.62	20.59	20.47	
3	16QAM	8	7	20.65	20.63	20.30	



3	16QAM	15	0	20.58	20.60	20.25	
3	64QAM	1	0	21.73	21.61	21.74	22.80
3	64QAM	1	8	21.81	21.72	21.42	
3	64QAM	1	14	21.62	21.42	21.44	
3	64QAM	8	0	20.44	20.62	20.24	21.80
3	64QAM	8	4	20.62	20.56	20.45	
3	64QAM	8	7	20.55	20.75	20.33	
3	64QAM	15	0	20.45	20.50	20.41	
Channel				18607	18900	19193	Tune-up limit (dBm)
Frequency (MHz)				1850.7	1880	1909.3	
1.4	QPSK	1	0	22.50	22.30	22.12	23.80
1.4	QPSK	1	3	22.54	22.44	22.30	
1.4	QPSK	1	5	22.49	22.38	22.15	
1.4	QPSK	3	0	22.59	22.36	22.19	
1.4	QPSK	3	1	22.52	22.45	22.22	
1.4	QPSK	3	3	22.46	22.41	22.22	
1.4	QPSK	6	0	21.39	21.39	21.25	22.80
1.4	16QAM	1	0	21.62	22.05	21.77	22.80
1.4	16QAM	1	3	21.71	22.03	21.77	
1.4	16QAM	1	5	22.00	21.69	21.78	
1.4	16QAM	3	0	21.56	21.47	21.29	
1.4	16QAM	3	1	21.63	21.40	21.43	
1.4	16QAM	3	3	21.43	21.65	21.66	
1.4	16QAM	6	0	20.64	20.41	20.37	21.80
1.4	64QAM	1	0	21.36	21.30	21.20	22.80
1.4	64QAM	1	3	21.75	21.65	21.27	
1.4	64QAM	1	5	21.58	21.96	21.44	
1.4	64QAM	3	0	21.63	21.52	21.38	
1.4	64QAM	3	1	21.37	21.54	21.18	
1.4	64QAM	3	3	21.54	21.55	21.36	
1.4	64QAM	6	0	20.55	20.35	20.36	20.80



<FDD-LTE Band 4>

BW [MHz]	Modulation	RB Size	RB Offset	Low Channel	Middle Channel	High Channel	Tune-up limit (dBm)
Channel				20050	20175	20300	
Frequency (MHz)				1720	1732.5	1745	
20	QPSK	1	0	22.28	22.23	22.24	23.80
20	QPSK	1	49	22.25	22.16	22.31	
20	QPSK	1	99	22.16	22.13	22.36	
20	QPSK	50	0	21.32	21.27	21.36	22.80
20	QPSK	50	24	21.35	21.21	21.25	
20	QPSK	50	50	21.28	21.25	21.27	
20	QPSK	100	0	21.35	21.28	21.31	
20	16QAM	1	0	21.75	21.51	21.43	21.80
20	16QAM	1	49	21.38	21.69	21.80	
20	16QAM	1	99	21.39	21.37	21.38	
20	16QAM	50	0	20.46	20.31	20.32	22.80
20	16QAM	50	24	20.40	20.33	20.40	
20	16QAM	50	50	20.33	20.38	20.37	
20	16QAM	100	0	20.29	20.31	20.37	
20	64QAM	1	0	21.50	21.48	21.37	21.80
20	64QAM	1	49	21.35	21.40	21.36	
20	64QAM	1	99	21.32	21.34	21.43	
20	64QAM	50	0	20.43	20.45	20.33	21.80
20	64QAM	50	24	20.37	20.33	20.37	
20	64QAM	50	50	20.37	20.28	20.27	
20	64QAM	100	0	20.40	20.30	20.33	
Channel				20025	20175	20325	
Frequency (MHz)				1717.5	1732.5	1747.5	
15	QPSK	1	0	22.38	22.24	22.26	23.80
15	QPSK	1	37	22.20	22.12	22.23	
15	QPSK	1	74	22.11	22.23	22.24	
15	QPSK	36	0	21.34	21.25	21.29	22.80
15	QPSK	36	20	21.27	21.34	21.39	
15	QPSK	36	39	21.31	21.31	21.33	
15	QPSK	75	0	21.28	21.27	21.36	
15	16QAM	1	0	21.84	21.45	21.42	21.80
15	16QAM	1	37	21.43	21.69	21.85	



15	16QAM	1	74	21.83	21.53	21.60	
15	16QAM	36	0	20.40	20.41	20.42	22.80
15	16QAM	36	20	20.34	20.42	20.45	
15	16QAM	36	39	20.41	20.40	20.40	
15	16QAM	75	0	20.36	20.44	20.41	
15	64QAM	1	0	21.28	21.59	21.43	21.80
15	64QAM	1	37	21.36	21.35	21.31	
15	64QAM	1	74	21.12	21.21	21.15	
15	64QAM	36	0	20.42	20.44	20.45	21.80
15	64QAM	36	20	20.35	20.41	20.43	
15	64QAM	36	39	20.40	20.45	20.34	
15	64QAM	75	0	20.48	20.33	20.39	
Channel				20000	20175	20350	Tune-up limit (dBm)
Frequency (MHz)				1715	1732.5	1750	
10	QPSK	1	0	22.48	22.22	22.31	23.80
10	QPSK	1	25	22.43	22.31	22.35	
10	QPSK	1	49	22.26	22.25	22.41	
10	QPSK	25	0	21.42	21.32	21.31	22.80
10	QPSK	25	12	21.35	21.36	21.36	
10	QPSK	25	25	21.26	21.27	21.36	
10	QPSK	50	0	21.37	21.37	21.27	
10	16QAM	1	0	21.58	21.47	21.45	21.80
10	16QAM	1	25	21.81	21.44	21.58	
10	16QAM	1	49	21.48	21.81	21.58	
10	16QAM	25	0	20.39	20.40	20.40	22.80
10	16QAM	25	12	20.53	20.39	20.36	
10	16QAM	25	25	20.29	20.28	20.50	
10	16QAM	50	0	20.37	20.36	20.46	
10	64QAM	1	0	21.46	21.47	21.56	21.80
10	64QAM	1	25	21.40	21.72	21.62	
10	64QAM	1	49	21.36	21.47	21.80	
10	64QAM	25	0	20.37	20.35	20.51	21.80
10	64QAM	25	12	20.43	20.45	20.41	
10	64QAM	25	25	20.26	20.35	20.47	
10	64QAM	50	0	20.37	20.29	20.43	
Channel				19975	20175	20375	Tune-up limit
Frequency (MHz)				1712.5	1732.5	1752.5	



							(dBm)
5	QPSK	1	0	22.34	22.23	22.39	24.00
5	QPSK	1	12	22.49	22.35	22.44	
5	QPSK	1	24	22.18	22.29	22.33	
5	QPSK	12	0	21.40	21.25	21.43	23.00
5	QPSK	12	7	21.37	21.30	21.43	
5	QPSK	12	13	21.29	21.29	21.43	
5	QPSK	25	0	21.32	21.35	21.42	
5	16QAM	1	0	21.89	21.80	21.50	23.00
5	16QAM	1	12	21.90	21.70	21.48	
5	16QAM	1	24	21.69	21.47	21.48	
5	16QAM	12	0	20.50	20.47	20.52	22.00
5	16QAM	12	7	20.49	20.47	20.57	
5	16QAM	12	13	20.42	20.36	20.56	
5	16QAM	25	0	20.48	20.47	20.55	
5	64QAM	1	0	21.51	21.23	21.52	23.00
5	64QAM	1	12	21.25	21.26	21.47	
5	64QAM	1	24	21.12	21.27	21.36	
5	64QAM	12	0	20.36	20.41	20.40	22.00
5	64QAM	12	7	20.41	20.31	20.55	
5	64QAM	12	13	20.49	20.36	20.53	
5	64QAM	25	0	20.40	20.42	20.51	
Channel				19965	20175	20385	Tune-up limit (dBm)
Frequency (MHz)				1711.5	1732.5	1753.5	
3	QPSK	1	0	22.28	22.24	22.35	24.00
3	QPSK	1	8	22.55	22.25	22.35	
3	QPSK	1	14	22.30	22.28	22.36	
3	QPSK	8	0	21.35	21.26	21.46	23.00
3	QPSK	8	4	21.36	21.31	21.46	
3	QPSK	8	7	21.37	21.27	21.40	
3	QPSK	15	0	21.35	21.25	21.43	
3	16QAM	1	0	21.63	21.48	21.55	23.00
3	16QAM	1	8	21.52	21.20	21.70	
3	16QAM	1	14	21.41	21.49	21.44	
3	16QAM	8	0	20.49	20.55	20.53	22.00
3	16QAM	8	4	20.39	20.34	20.56	
3	16QAM	8	7	20.45	20.39	20.57	



3	16QAM	15	0	20.60	20.37	20.71	
3	64QAM	1	0	21.24	21.41	21.34	23.00
3	64QAM	1	8	21.52	21.50	21.31	
3	64QAM	1	14	21.84	21.48	21.54	
3	64QAM	8	0	20.60	20.41	20.48	22.00
3	64QAM	8	4	20.37	20.44	20.56	
3	64QAM	8	7	20.36	20.34	20.50	
3	64QAM	15	0	20.45	20.50	20.57	
Channel				19957	20175	20393	Tune-up limit (dBm)
Frequency (MHz)				1710.7	1732.5	1754.3	
1.4	QPSK	1	0	22.33	22.15	22.28	24.00
1.4	QPSK	1	3	22.44	22.26	22.35	
1.4	QPSK	1	5	22.31	22.20	22.26	
1.4	QPSK	3	0	22.28	22.28	22.35	
1.4	QPSK	3	1	22.37	22.38	22.41	
1.4	QPSK	3	3	22.32	22.28	22.37	
1.4	QPSK	6	0	21.18	21.38	21.39	23.00
1.4	16QAM	1	0	21.63	21.54	21.85	23.00
1.4	16QAM	1	3	21.44	21.49	21.53	
1.4	16QAM	1	5	21.49	21.83	21.62	
1.4	16QAM	3	0	21.43	21.39	21.26	
1.4	16QAM	3	1	21.21	21.43	21.45	
1.4	16QAM	3	3	21.35	21.37	21.46	
1.4	16QAM	6	0	20.64	20.41	20.55	22.00
1.4	64QAM	1	0	21.30	21.70	21.53	23.00
1.4	64QAM	1	3	21.45	21.28	21.92	
1.4	64QAM	1	5	21.72	21.09	21.79	
1.4	64QAM	3	0	21.20	21.38	21.48	
1.4	64QAM	3	1	21.63	21.46	21.52	
1.4	64QAM	3	3	21.41	21.20	21.63	
1.4	64QAM	6	0	20.38	20.26	20.41	22.00



<FDD-LTE Band 5>

BW [MHz]	Modulation	RB Size	RB Offset	Low Channel	Middle Channel	High Channel	Tune-up limit (dBm)
Channel				20450	20525	20600	
Frequency (MHz)				829	836.5	844	
10	QPSK	1	0	23.03	22.94	22.85	24.1
10	QPSK	1	25	22.87	22.86	22.97	
10	QPSK	1	49	22.87	22.96	22.98	
10	QPSK	25	0	21.88	21.98	21.94	23.1
10	QPSK	25	12	22.00	21.97	21.99	
10	QPSK	25	25	21.94	21.83	21.99	
10	QPSK	50	0	21.93	21.96	21.95	23.1
10	16QAM	1	0	22.49	22.02	22.48	
10	16QAM	1	25	22.05	22.46	22.40	
10	16QAM	1	49	22.20	22.14	22.34	22.1
10	16QAM	25	0	20.97	21.08	21.14	
10	16QAM	25	12	21.01	20.98	20.98	
10	16QAM	25	25	20.94	21.01	21.13	22.1
10	16QAM	50	0	21.12	20.99	21.04	
10	64QAM	1	0	22.34	22.06	22.11	
10	64QAM	1	25	22.17	21.94	21.97	23.1
10	64QAM	1	49	21.94	21.99	22.10	
10	64QAM	25	0	20.97	21.10	21.08	
10	64QAM	25	12	20.91	21.07	21.05	22.1
10	64QAM	25	25	20.93	20.98	21.06	
10	64QAM	50	0	20.95	21.02	20.96	
Channel				20425	20525	20625	
Frequency (MHz)				826.5	836.5	846.5	
5	QPSK	1	0	22.97	22.82	23.04	24.1
5	QPSK	1	12	22.93	22.82	22.91	
5	QPSK	1	24	22.89	22.84	22.83	
5	QPSK	12	0	22.00	21.98	21.98	23.1
5	QPSK	12	7	21.97	21.89	22.00	
5	QPSK	12	13	21.96	21.85	22.02	
5	QPSK	25	0	21.93	21.89	22.04	23.1
5	16QAM	1	0	22.18	22.38	22.10	
5	16QAM	1	12	22.16	22.37	22.09	



5	16QAM	1	24	22.10	22.34	21.94	
5	16QAM	12	0	20.96	21.06	21.03	22.1
5	16QAM	12	7	21.12	21.10	21.07	
5	16QAM	12	13	21.02	20.98	21.10	
5	16QAM	25	0	20.94	21.09	21.03	
5	64QAM	1	0	22.13	22.16	22.41	
5	64QAM	1	12	22.09	22.05	22.50	23.1
5	64QAM	1	24	22.03	22.03	22.45	
5	64QAM	12	0	21.01	21.03	21.01	
5	64QAM	12	7	21.16	20.91	21.05	22.1
5	64QAM	12	13	20.93	21.00	21.08	
5	64QAM	25	0	20.95	21.06	20.97	
Channel				20415	20525	20635	Tune-up limit (dBm)
Frequency (MHz)				825.5	836.5	847.5	
3	QPSK	1	0	23.04	22.83	22.96	24.1
3	QPSK	1	8	22.87	22.81	22.95	
3	QPSK	1	14	22.94	22.88	22.89	
3	QPSK	8	0	21.99	21.92	21.90	23.1
3	QPSK	8	4	22.01	21.87	21.98	
3	QPSK	8	7	21.89	21.89	21.93	
3	QPSK	15	0	21.94	21.82	21.94	
3	16QAM	1	0	22.40	22.46	22.21	
3	16QAM	1	8	22.04	22.32	22.09	23.1
3	16QAM	1	14	22.14	22.38	22.11	
3	16QAM	8	0	21.05	21.04	21.19	
3	16QAM	8	4	21.15	21.19	21.10	22.1
3	16QAM	8	7	21.08	21.00	21.12	
3	16QAM	15	0	21.13	21.01	21.01	
3	64QAM	1	0	21.82	22.07	21.91	
3	64QAM	1	8	22.10	22.09	22.05	23.1
3	64QAM	1	14	22.03	22.02	22.05	
3	64QAM	8	0	20.94	20.92	21.08	
3	64QAM	8	4	21.00	21.21	21.21	22.1
3	64QAM	8	7	20.99	20.92	21.01	
3	64QAM	15	0	21.13	21.08	21.11	
Channel				20407	20525	20643	
Frequency (MHz)				824.7	836.5	848.3	



							(dBm)
1.4	QPSK	1	0	22.75	22.74	22.86	24.1
1.4	QPSK	1	3	22.84	22.78	22.91	
1.4	QPSK	1	5	22.80	22.77	22.84	
1.4	QPSK	3	0	22.91	22.74	22.94	
1.4	QPSK	3	1	22.93	22.79	22.91	
1.4	QPSK	3	3	22.82	22.78	22.89	
1.4	QPSK	6	0	21.97	21.78	21.83	23.1
1.4	16QAM	1	0	22.06	22.30	22.00	23.1
1.4	16QAM	1	3	21.89	22.33	22.17	
1.4	16QAM	1	5	21.87	22.17	21.88	
1.4	16QAM	3	0	21.85	21.71	21.96	
1.4	16QAM	3	1	22.00	21.93	22.04	
1.4	16QAM	3	3	21.93	21.91	22.00	
1.4	16QAM	6	0	21.17	21.04	20.99	22.1
1.4	64QAM	1	0	21.97	22.00	22.03	23.1
1.4	64QAM	1	3	22.11	22.38	22.39	
1.4	64QAM	1	5	22.00	21.96	21.95	
1.4	64QAM	3	0	21.95	21.86	22.14	
1.4	64QAM	3	1	21.92	21.98	22.03	
1.4	64QAM	3	3	22.03	21.80	22.15	
1.4	64QAM	6	0	21.06	20.91	21.02	22.1



<FDD-LTE Band 7>

BW [MHz]	Modulation	RB Size	RB Offset	Low Channel	Middle Channel	High Channel	Tune-up limit (dBm)
Channel				20850	21100	21350	
Frequency (MHz)				2510	2535	2560	
20	QPSK	1	0	22.36	22.19	21.97	23.30
20	QPSK	1	49	22.20	22.04	22.19	
20	QPSK	1	99	22.29	22.23	22.28	
20	QPSK	50	0	21.27	21.16	21.20	22.30
20	QPSK	50	24	21.30	21.13	21.25	
20	QPSK	50	50	21.26	21.19	21.26	
20	QPSK	100	0	21.22	21.12	21.18	
20	16QAM	1	0	21.76	21.59	21.66	22.30
20	16QAM	1	49	21.48	21.35	21.42	
20	16QAM	1	99	21.47	21.72	21.40	
20	16QAM	50	0	20.40	20.26	20.26	21.30
20	16QAM	50	24	20.37	20.34	20.36	
20	16QAM	50	50	20.42	20.24	20.33	
20	16QAM	100	0	20.33	20.30	20.27	
20	64QAM	1	0	21.40	21.21	21.38	22.30
20	64QAM	1	49	21.37	21.26	21.40	
20	64QAM	1	99	21.47	21.50	21.50	
20	64QAM	50	0	20.35	20.23	20.34	21.30
20	64QAM	50	24	20.44	20.25	20.27	
20	64QAM	50	50	20.32	20.35	20.23	
20	64QAM	100	0	20.38	20.34	20.26	
Channel				20825	21100	21375	
Frequency (MHz)				2507.5	2535	2562.5	
15	QPSK	1	0	22.33	22.07	22.16	23.30
15	QPSK	1	37	22.34	22.09	22.17	
15	QPSK	1	74	22.37	22.18	22.29	
15	QPSK	36	0	21.28	21.11	21.22	22.30
15	QPSK	36	20	21.32	21.21	21.27	
15	QPSK	36	39	21.31	21.15	21.18	
15	QPSK	75	0	21.23	21.11	21.14	
15	16QAM	1	0	21.46	21.39	21.76	22.30
15	16QAM	1	37	21.60	21.41	21.38	



15	16QAM	1	74	21.73	21.55	21.75	
15	16QAM	36	0	20.37	20.23	20.30	21.30
15	16QAM	36	20	20.41	20.25	20.35	
15	16QAM	36	39	20.41	20.36	20.32	
15	16QAM	75	0	20.47	20.29	20.30	
15	64QAM	1	0	21.69	21.66	21.39	
15	64QAM	1	37	21.40	21.21	21.68	22.30
15	64QAM	1	74	21.50	21.48	21.58	
15	64QAM	36	0	20.38	20.28	20.27	21.30
15	64QAM	36	20	20.39	20.38	20.31	
15	64QAM	36	39	20.39	20.30	20.28	
15	64QAM	75	0	20.45	20.22	20.27	
Channel				20800	21100	21400	Tune-up limit (dBm)
Frequency (MHz)				2505	2535	2565	
10	QPSK	1	0	22.40	22.08	22.10	23.30
10	QPSK	1	25	22.51	22.12	22.26	
10	QPSK	1	49	22.33	22.20	22.13	
10	QPSK	25	0	21.25	21.19	21.19	22.30
10	QPSK	25	12	21.30	21.14	21.26	
10	QPSK	25	25	21.32	21.15	21.32	
10	QPSK	50	0	21.33	21.15	21.25	
10	16QAM	1	0	21.75	21.70	21.78	22.30
10	16QAM	1	25	21.59	21.39	21.47	
10	16QAM	1	49	21.66	21.34	21.46	
10	16QAM	25	0	20.38	20.25	20.28	21.30
10	16QAM	25	12	20.41	20.25	20.38	
10	16QAM	25	25	20.34	20.39	20.51	
10	16QAM	50	0	20.38	20.31	20.19	
10	64QAM	1	0	21.42	21.37	21.27	22.30
10	64QAM	1	25	21.44	21.29	21.41	
10	64QAM	1	49	21.54	21.30	21.26	
10	64QAM	25	0	20.32	20.23	20.28	21.30
10	64QAM	25	12	20.37	20.27	20.31	
10	64QAM	25	25	20.38	20.29	20.42	
10	64QAM	50	0	20.36	20.29	20.34	
Channel				20775	21100	21425	Tune-up limit
Frequency (MHz)				2502.5	2535	2567.5	



							(dBm)
5	QPSK	1	0	22.23	22.18	22.28	23.30
5	QPSK	1	12	22.15	22.05	22.20	
5	QPSK	1	24	22.31	22.14	22.23	
5	QPSK	12	0	21.42	21.18	21.22	22.30
5	QPSK	12	7	21.43	21.19	21.29	
5	QPSK	12	13	21.26	21.17	21.31	
5	QPSK	25	0	21.25	21.17	21.27	
5	16QAM	1	0	21.24	21.42	21.36	22.30
5	16QAM	1	12	21.44	21.72	21.39	
5	16QAM	1	24	21.39	21.66	21.45	
5	16QAM	12	0	20.45	20.35	20.39	21.30
5	16QAM	12	7	20.36	20.38	20.50	
5	16QAM	12	13	20.43	20.35	20.42	
5	16QAM	25	0	20.38	20.30	20.29	
5	64QAM	1	0	21.53	21.33	21.64	22.30
5	64QAM	1	12	21.49	21.41	21.71	
5	64QAM	1	24	21.31	21.46	21.76	
5	64QAM	12	0	20.40	20.34	20.37	21.30
5	64QAM	12	7	20.39	20.21	20.46	
5	64QAM	12	13	20.29	20.32	20.40	
5	64QAM	25	0	20.43	20.24	20.31	



<TDD-LTE Band 38>

BW [MHz]	Modulation	RB Size	RB Offset	Low Channel	Middle Channel	High Channel	Tune-up limit (dBm)
Channel				37850	38000	38150	
Frequency (MHz)				2580	2595	2610	
20	QPSK	1	0	22.69	22.65	22.41	23.80
20	QPSK	1	49	22.61	22.41	22.63	
20	QPSK	1	99	22.47	22.49	22.61	
20	QPSK	50	0	21.91	21.72	21.73	22.80
20	QPSK	50	24	21.71	21.55	21.52	
20	QPSK	50	50	21.68	21.64	21.63	
20	QPSK	100	0	21.89	21.68	21.61	
20	16QAM	1	0	22.22	22.14	22.07	22.80
20	16QAM	1	49	22.06	21.85	22.01	
20	16QAM	1	99	21.83	21.79	21.85	
20	16QAM	50	0	21.03	20.79	20.71	21.80
20	16QAM	50	24	20.85	20.74	20.74	
20	16QAM	50	50	20.84	20.73	20.81	
20	16QAM	100	0	20.80	20.76	20.72	
20	64QAM	1	0	22.15	22.03	22.06	22.80
20	64QAM	1	49	21.93	21.91	21.83	
20	64QAM	1	99	21.80	21.78	21.78	
20	64QAM	50	0	20.93	20.60	20.74	21.80
20	64QAM	50	24	20.86	20.76	20.67	
20	64QAM	50	50	20.74	20.65	20.73	
20	64QAM	100	0	20.86	20.78	20.76	
Channel				37825	38000	38175	Tune-up limit (dBm)
Frequency (MHz)				2577.5	2595	2612.5	
15	QPSK	1	0	22.71	22.65	22.42	23.80
15	QPSK	1	37	22.61	22.32	22.66	
15	QPSK	1	74	22.62	22.60	22.57	
15	QPSK	36	0	21.87	21.63	21.67	22.80
15	QPSK	36	20	21.84	21.71	21.72	
15	QPSK	36	39	21.81	21.65	21.71	
15	QPSK	75	0	21.75	21.67	21.61	
15	16QAM	1	0	22.03	21.96	21.86	22.80



15	16QAM	1	37	21.87	21.67	21.82	
15	16QAM	1	74	22.02	21.96	21.99	
15	16QAM	36	0	20.96	20.67	20.60	21.80
15	16QAM	36	20	20.84	20.66	20.75	
15	16QAM	36	39	20.72	20.61	20.75	
15	16QAM	75	0	20.70	20.66	20.59	
15	64QAM	1	0	21.82	21.64	21.55	
15	64QAM	1	37	21.74	21.64	21.90	
15	64QAM	1	74	21.64	21.58	21.70	
15	64QAM	36	0	20.86	20.67	20.72	21.80
15	64QAM	36	20	20.84	20.66	20.77	
15	64QAM	36	39	20.72	20.71	20.77	
15	64QAM	75	0	20.88	20.64	20.69	
Channel				37800	38000	38200	
Frequency (MHz)				2575	2595	2615	limit (dBm)
10	QPSK	1	0	22.63	22.59	22.68	23.80
10	QPSK	1	25	22.74	22.41	22.59	
10	QPSK	1	49	22.64	22.39	22.64	
10	QPSK	25	0	21.64	21.44	21.68	22.80
10	QPSK	25	12	21.69	21.55	21.69	
10	QPSK	25	25	21.74	21.50	21.61	
10	QPSK	50	0	21.76	21.54	21.68	
10	16QAM	1	0	21.90	21.67	21.85	
10	16QAM	1	25	21.89	21.76	21.91	
10	16QAM	1	49	21.99	21.82	21.94	
10	16QAM	25	0	20.79	20.65	20.69	21.80
10	16QAM	25	12	20.95	20.57	20.90	
10	16QAM	25	25	20.81	20.62	20.70	
10	16QAM	50	0	20.91	20.65	20.76	
10	64QAM	1	0	21.90	21.46	21.74	
10	64QAM	1	25	21.66	21.54	21.69	
10	64QAM	1	49	21.75	21.78	21.71	
10	64QAM	25	0	20.90	20.46	20.82	21.80
10	64QAM	25	12	20.75	20.59	20.72	
10	64QAM	25	25	20.82	20.64	20.74	
10	64QAM	50	0	20.71	20.55	20.69	
Channel				37775	38000	38225	



Frequency (MHz)				2572.5	2595	2617.5	limit (dBm)
5	QPSK	1	0	22.60	22.30	22.54	23.80
5	QPSK	1	12	22.67	22.30	22.50	
5	QPSK	1	24	22.78	22.39	22.59	
5	QPSK	12	0	21.83	21.38	21.64	22.80
5	QPSK	12	7	21.69	21.50	21.58	
5	QPSK	12	13	21.64	21.48	21.64	
5	QPSK	25	0	21.75	21.55	21.68	
5	16QAM	1	0	21.92	21.63	21.80	22.80
5	16QAM	1	12	22.01	21.61	21.91	
5	16QAM	1	24	21.96	21.83	22.01	
5	16QAM	12	0	20.86	20.56	20.73	21.80
5	16QAM	12	7	20.84	20.59	20.77	
5	16QAM	12	13	20.78	20.57	20.70	
5	16QAM	25	0	20.83	20.69	20.88	
5	64QAM	1	0	21.94	21.62	21.69	22.80
5	64QAM	1	12	21.78	21.58	21.78	
5	64QAM	1	24	21.85	21.63	21.81	
5	64QAM	12	0	20.89	20.60	20.67	21.80
5	64QAM	12	7	20.87	20.63	20.72	
5	64QAM	12	13	20.81	20.61	20.65	
5	64QAM	25	0	20.84	20.49	20.70	



<TDD-LTE Band 40A>

BW [MHz]	Modulation	RB Size	RB Offset	Low Channel	Middle Channel	High Channel	Tune-up limit (dBm)
Channel				38750			
Frequency (MHz)				2310			
10	QPSK	1	0	22.57			23.80
10	QPSK	1	25	22.50			
10	QPSK	1	49	22.53			
10	QPSK	25	0	21.58			
10	QPSK	25	12	21.71			
10	QPSK	25	25	21.57			
10	QPSK	50	0	21.59			
10	16QAM	1	0	21.69			22.80
10	16QAM	1	25	21.86			
10	16QAM	1	49	21.78			
10	16QAM	25	0	20.64			21.80
10	16QAM	25	12	20.77			
10	16QAM	25	25	20.74			
10	16QAM	50	0	20.64			
10	64QAM	1	0	21.68			22.80
10	64QAM	1	25	21.66			
10	64QAM	1	49	21.75			
10	64QAM	25	0	20.55			21.80
10	64QAM	25	12	20.68			
10	64QAM	25	25	20.66			
10	64QAM	50	0	20.55			
Channel				38725	38750	38775	Tune-up limit (dBm)
Frequency (MHz)				2307.5	2310	2312.5	
5	QPSK	1	0	22.37	22.43	22.54	23.80
5	QPSK	1	12	22.59	22.45	22.38	
5	QPSK	1	24	22.57	22.55	22.47	
5	QPSK	12	0	21.60	21.60	21.62	22.80
5	QPSK	12	7	21.69	21.57	21.69	
5	QPSK	12	13	21.62	21.60	21.62	
5	QPSK	25	0	21.43	21.62	21.54	
5	16QAM	1	0	21.73	21.76	21.78	22.80



5	16QAM	1	12	21.75	21.75	21.68	21.80
5	16QAM	1	24	21.76	21.87	21.79	
5	16QAM	12	0	20.64	20.66	20.79	
5	16QAM	12	7	20.73	20.74	20.77	
5	16QAM	12	13	20.76	20.67	20.69	
5	16QAM	25	0	20.61	20.73	20.75	
5	64QAM	1	0	21.55	21.68	21.70	22.80
5	64QAM	1	12	21.75	21.74	21.57	
5	64QAM	1	24	21.67	21.68	21.71	
5	64QAM	12	0	20.58	20.71	20.73	21.80
5	64QAM	12	7	20.68	20.69	20.72	
5	64QAM	12	13	20.70	20.61	20.64	
5	64QAM	25	0	20.53	20.65	20.68	

<TDD-LTE Band 40B>

BW [MHz]	Modulation	RB Size	RB Offset	Low Channel	Middle Channel	High Channel	Tune-up limit (dBm)
Channel				39200			23.80
Frequency (MHz)				2355			
10	QPSK	1	0		22.55		23.80
10	QPSK	1	25		22.48		
10	QPSK	1	49		22.55		
10	QPSK	25	0		21.59		22.80
10	QPSK	25	12		21.59		
10	QPSK	25	25		21.57		
10	QPSK	50	0		21.59		
10	16QAM	1	0		21.74		22.80
10	16QAM	1	25		21.84		
10	16QAM	1	49		21.71		
10	16QAM	25	0		20.75		21.80
10	16QAM	25	12		20.66		
10	16QAM	25	25		20.64		
10	16QAM	50	0		20.73		
10	64QAM	1	0		21.67		22.80
10	64QAM	1	25		21.64		
10	64QAM	1	49		21.69		
10	64QAM	25	0		20.66		21.80



10	64QAM	25	12	20.67			
10	64QAM	25	25	20.65			
10	64QAM	50	0	20.64			
Channel				39175	39200	39225	Tune-up limit (dBm)
Frequency (MHz)				2352.5	2355	2357.5	
5	QPSK	1	0	22.47	22.48	22.37	23.80
5	QPSK	1	12	22.40	22.49	22.41	
5	QPSK	1	24	22.46	22.41	22.55	
5	QPSK	12	0	21.62	21.65	21.56	22.80
5	QPSK	12	7	21.60	21.67	21.58	
5	QPSK	12	13	21.56	21.56	21.58	
5	QPSK	25	0	21.55	21.52	21.54	
5	16QAM	1	0	21.81	21.70	21.70	22.80
5	16QAM	1	12	21.74	21.79	21.71	
5	16QAM	1	24	21.74	21.73	21.87	
5	16QAM	12	0	20.69	20.72	20.63	21.80
5	16QAM	12	7	20.68	20.74	20.66	
5	16QAM	12	13	20.65	20.63	20.75	
5	16QAM	25	0	20.63	20.64	20.75	
5	64QAM	1	0	21.58	21.72	21.62	22.80
5	64QAM	1	12	21.64	21.58	21.60	
5	64QAM	1	24	21.75	21.64	21.79	
5	64QAM	12	0	20.63	20.67	20.57	21.8.
5	64QAM	12	7	20.70	20.69	20.61	
5	64QAM	12	13	20.69	20.57	20.60	
5	64QAM	25	0	20.59	20.56	20.68	



<TDD-LTE Band 41>

BW [MHz]	Modulation	RB Size	RB Offset	Low Channel	Middle Low Channel	Middle High Channel	High Channel	Tune-up limit (dBm)
Channel				40140	40400	40670	41140	
Frequency (MHz)				2545	2571	2598	2645	
20	QPSK	1	0	22.64	22.47	22.37	22.61	23.80
20	QPSK	1	49	22.49	22.59	22.24	22.46	
20	QPSK	1	99	22.54	22.32	22.34	22.31	
20	QPSK	50	0	21.78	21.76	21.60	21.72	22.80
20	QPSK	50	24	21.75	21.65	21.59	21.59	
20	QPSK	50	50	21.83	21.63	21.66	21.56	
20	QPSK	100	0	21.74	21.70	21.73	21.57	
20	16QAM	1	0	21.80	21.84	21.82	22.05	23.80
20	16QAM	1	49	22.04	21.91	21.87	21.69	
20	16QAM	1	99	22.07	21.64	21.96	21.65	
20	16QAM	50	0	20.91	20.82	20.79	20.69	21.80
20	16QAM	50	24	20.89	20.96	20.78	20.78	
20	16QAM	50	50	20.87	20.85	20.85	20.55	
20	16QAM	100	0	20.88	20.80	20.80	20.64	
20	64QAM	1	0	21.94	21.71	21.60	21.63	22.80
20	64QAM	1	49	21.93	21.77	21.54	21.47	
20	64QAM	1	99	21.94	21.51	21.52	21.46	
20	64QAM	50	0	20.81	20.77	20.60	20.60	21.80
20	64QAM	50	24	20.80	20.83	20.80	20.70	
20	64QAM	50	50	20.89	20.76	20.66	20.58	
20	64QAM	100	0	20.90	20.94	20.83	20.79	
Channel				40115	40395	40685	41165	Tune-up limit (dBm)
Frequency (MHz)				2542.5	2570.5	2599.5	2647.5	
15	QPSK	1	0	22.72	22.58	22.38	22.55	23.80
15	QPSK	1	37	22.57	22.59	22.52	22.49	
15	QPSK	1	74	22.58	22.55	22.43	22.30	
15	QPSK	36	0	21.68	21.66	21.53	21.69	22.80
15	QPSK	36	20	21.71	21.66	21.77	21.70	
15	QPSK	36	39	21.63	21.59	21.65	21.48	
15	QPSK	75	0	21.75	21.70	21.55	21.76	
15	16QAM	1	0	22.00	21.89	21.89	21.96	22.80



15	16QAM	1	37	21.86	21.84	21.58	21.56	21.80
15	16QAM	1	74	21.98	21.81	21.70	21.54	
15	16QAM	36	0	20.87	20.79	20.68	20.65	
15	16QAM	36	20	20.92	20.91	20.72	20.66	
15	16QAM	36	39	20.83	20.85	20.80	20.55	
15	16QAM	75	0	20.82	20.99	20.75	20.67	
15	64QAM	1	0	21.82	21.77	21.59	21.65	22.80
15	64QAM	1	37	21.75	21.80	21.56	21.44	
15	64QAM	1	74	21.69	21.76	21.57	21.45	
15	64QAM	36	0	20.88	20.91	20.69	20.66	21.80
15	64QAM	36	20	20.93	20.91	20.83	20.57	
15	64QAM	36	39	20.94	20.86	20.81	20.56	
15	64QAM	75	0	20.90	20.87	20.74	20.65	
Channel				40090	40390	40690	41190	Tune-up limit (dBm)
Frequency (MHz)				2540	2570	2600	2650	
10	QPSK	1	0	22.63	22.66	22.37	22.36	23.80
10	QPSK	1	25	22.73	22.79	22.53	22.47	
10	QPSK	1	49	22.55	22.61	22.78	22.35	
10	QPSK	25	0	21.84	21.75	21.62	21.57	22.80
10	QPSK	25	12	21.79	22.00	21.86	21.62	
10	QPSK	25	25	21.85	21.88	21.62	21.51	
10	QPSK	50	0	21.80	21.90	21.69	21.72	
10	16QAM	1	0	21.82	22.08	21.65	21.89	23.80
10	16QAM	1	25	21.89	21.94	21.75	21.71	
10	16QAM	1	49	22.00	22.02	21.79	21.64	
10	16QAM	25	0	20.89	20.95	20.74	20.89	22.80
10	16QAM	25	12	20.95	21.10	20.86	20.73	
10	16QAM	25	25	20.81	21.08	20.73	20.73	
10	16QAM	50	0	20.95	20.97	20.78	20.72	
10	64QAM	1	0	21.76	21.80	21.73	21.58	22.80
10	64QAM	1	25	21.78	22.11	21.63	21.79	
10	64QAM	1	49	21.96	21.86	21.65	21.71	
10	64QAM	25	0	20.80	20.86	20.75	20.60	21.80
10	64QAM	25	12	20.96	21.00	20.78	20.76	
10	64QAM	25	25	20.73	20.79	20.75	20.55	
10	64QAM	50	0	20.76	20.88	20.70	20.73	
Channel				40065	40385	40705	41215	Tune-up



Frequency (MHz)				2537.5	2569.5	2601.5	2652.5	limit (dBm)
5	QPSK	1	0	22.56	22.55	22.36	22.42	23.80
5	QPSK	1	12	22.58	22.59	22.50	22.45	
5	QPSK	1	24	22.63	22.77	22.58	22.34	
5	QPSK	12	0	21.77	21.77	21.59	21.54	22.80
5	QPSK	12	7	21.87	21.74	21.58	21.57	
5	QPSK	12	13	21.84	21.76	21.71	21.60	
5	QPSK	25	0	21.82	21.80	21.63	21.54	
5	16QAM	1	0	21.90	21.89	21.69	21.85	23.80
5	16QAM	1	12	21.93	22.10	21.81	21.78	
5	16QAM	1	24	22.00	22.00	21.92	21.70	
5	16QAM	12	0	20.80	20.95	20.76	20.74	21.80
5	16QAM	12	7	20.79	20.92	20.67	20.78	
5	16QAM	12	13	20.89	20.83	20.70	20.69	
5	16QAM	25	0	20.92	20.91	20.87	20.68	
5	64QAM	1	0	21.78	21.88	21.59	21.76	22.80
5	64QAM	1	12	21.83	21.97	21.79	21.66	
5	64QAM	1	24	21.82	21.89	21.72	21.60	
5	64QAM	12	0	20.86	20.88	20.81	20.67	21.80
5	64QAM	12	7	20.83	20.86	20.71	20.62	
5	64QAM	12	13	20.83	20.77	20.64	20.64	
5	64QAM	25	0	20.71	20.82	20.67	20.61	

➤ **WLAN Conducted Power**

<2.4GHz WLAN>

2.4GHz WLAN	Mode	Channel	Frequency (MHz)	Average power (dBm)	Tune-Up Limit	Duty Cycle %
	802.11b 1Mbps		CH 1	2412	13.68	15.50
CH 6			2437	14.07	16.00	
CH 11			2462	13.89	15.50	
802.11g 6Mbps		CH 1	2412	12.21	14.00	98.09
		CH 6	2437	12.66	14.00	
		CH 11	2462	12.15	14.00	
802.11n-HT20 MCS0		CH 1	2412	12.04	14.00	97.96
		CH 6	2437	12.43	14.00	
		CH 11	2462	12.04	14.00	



Note:

- Per KDB 447498 D01v06, the 1-g SAR test exclusion thresholds for 100 MHz to 6 GHz at *test separation distances* ≤ 50 mm are determined by:

$$[(\text{max. power of channel, including tune-up tolerance, mW}) / (\text{min. test separation distance, mm})] \cdot [\sqrt{f(\text{GHz})}] \leq 3.0 \text{ for 1-g SAR, where}$$

- f(GHz) is the RF channel transmit frequency in GHz
- Power and distance are rounded to the nearest mW and mm before calculation
- The result is rounded to one decimal place for comparison

Channel	Frequency (GHz)	Max. Tune-up Power (dBm)	Max. Power (mW)	Test distance (mm)	Result	exclusion thresholds for 1-g SAR
6	2.437	16.0	40	5	12.49	3.0

- Base on the result of note1, RF exposure evaluation of 802.11 b and g mode is required.
- Per KDB 248227 D01v02r02, choose the highest output power channel to test SAR and determine further SAR exclusion.
- Per KDB 248227 D01v02r02, In the 2.4 GHz band, separate SAR procedures are applied to DSSS and OFDM configurations to simplify DSSS test requirements. SAR is not required for the following 2.4 GHz OFDM conditions:
 - When KDB Publication 447498 SAR test exclusion applies to the OFDM configuration.
 - When the highest reported SAR for DSSS is adjusted by the ratio of OFDM to DSSS specified maximum output power and the adjusted SAR is ≤ 1.2 W/kg.
- The output power of all data rate were pre-scan, just the worst case (the lowest data rate) of all mode were shown in report.

<5.2GHz WLAN>

	Mode	Channel	Frequency (MHz)	Average power (dBm)	Tune-Up Limit	Duty Cycle %
5.2GHz WLAN	802.11a 6Mbps	CH 36	5180	12.66	14.50	98.10
		CH 40	5200	12.83	14.50	
		CH 48	5240	12.85	14.50	
	802.11n-HT20 MCS0	CH 36	5180	12.54	14.50	98.47
		CH 40	5200	12.66	14.50	
		CH 48	5240	12.67	14.50	
	802.11n-HT40 MCS0	CH 38	5190	12.83	14.50	95.96
		CH 46	5230	12.96	14.50	
	802.11ac-VHT20 MCS0	CH 36	5180	12.47	14.00	98.47
		CH 40	5200	12.71	14.50	
		CH 48	5240	12.68	14.50	



	802.11ac-VHT40 MCS0	CH 38	5190	12.87	14.50	95.96
		CH 46	5230	12.98	14.50	
	802.11ac-VHT80 MCS0	CH 42	5210	12.35	14.00	92.00

Note:

1. Per KDB 447498 D01v06, the 1-g SAR test exclusion thresholds for 100 MHz to 6 GHz at *test separation distances* ≤50 mm are determined by:

$$[(\text{max. power of channel, including tune-up tolerance, mW}) / (\text{min. test separation distance, mm})] \cdot [\sqrt{f(\text{GHz})}] \leq 3.0 \text{ for 1-g SAR, where}$$

- f(GHz) is the RF channel transmit frequency in GHz
- Power and distance are rounded to the nearest mW and mm before calculation
- The result is rounded to one decimal place for comparison

Channel	Frequency (GHz)	Max. Tune-up Power (dBm)	Max. Power (mW)	Test distance (mm)	Result	exclusion thresholds for 1-g SAR
46	5.230	14.5	28	5	12.81	3.0

2. Per KDB 248227 D01v02r02, choose the highest output power channel to test SAR and determine further SAR exclusion.

3. The output power of all data rate were pre-scan, just the worst case (the lowest data rate) of all mode were shown in report.

<5.3GHz WLAN>

	Mode	Channel	Frequency (MHz)	Average power (dBm)	Tune-Up Limit	Duty Cycle %
5.3GHz WLAN	802.11a 6Mbps	CH 52	5260	12.93	14.50	98.10
		CH 60	5300	13.27	15.00	
		CH 64	5320	13.49	15.00	
	802.11n-HT20 MCS0	CH 52	5260	12.73	14.50	98.47
		CH 60	5300	13.15	15.00	
		CH 64	5320	13.19	15.00	
	802.11n-HT40 MCS0	CH 54	5270	13.06	15.00	95.96
		CH 62	5310	13.37	15.00	
	802.11ac-VHT20 MCS0	CH 52	5260	12.79	14.50	98.47
		CH 60	5300	13.14	15.00	
		CH 64	5320	13.12	15.00	
	802.11ac-VHT40 MCS0	CH 54	5270	13.08	15.00	95.96
		CH 62	5310	13.35	15.00	



	802.11ac-VHT80 MCS0	CH 58	5290	12.82	14.50	92.00
--	------------------------	-------	------	-------	-------	-------

Note:

1. Per KDB 447498 D01v06, the 1-g SAR test exclusion thresholds for 100 MHz to 6 GHz at *test separation distances* ≤50 mm are determined by:

$$[(\text{max. power of channel, including tune-up tolerance, mW}) / (\text{min. test separation distance, mm})] \cdot [\sqrt{f(\text{GHz})}] \leq 3.0 \text{ for 1-g SAR, where}$$

- f(GHz) is the RF channel transmit frequency in GHz
- Power and distance are rounded to the nearest mW and mm before calculation
- The result is rounded to one decimal place for comparison

Channel	Frequency (GHz)	Max. Tune-up Power (dBm)	Max. Power (mW)	Test distance (mm)	Result	exclusion thresholds for 1-g SAR
62	5.310	15.0	32.0	5	14.75	3.0

2. Per KDB 248227 D01v02r02, choose the highest output power channel to test SAR and determine further SAR exclusion.

3. The output power of all data rate were pre-scan, just the worst case (the lowest data rate) of all mode were shown in report.

<5.5GHz WLAN>

5.5GHz WLAN	Mode	Channel	Frequency (MHz)	Average power (dBm)	Tune-Up Limit	Duty Cycle %
	802.11a 6Mbps		CH 100	5500	12.91	14.50
CH 120			5600	12.23	14.00	
CH 144			5720	11.53	13.50	
802.11n-HT20 MCS0		CH 100	5500	12.71	14.50	98.47
		CH 120	5600	12.12	14.00	
		CH 144	5720	11.43	13.00	
802.11n-HT40 MCS0		CH 102	5510	12.98	14.50	95.96
		CH 118	5590	12.33	14.00	
		CH 142	5710	11.82	13.50	
802.11ac-VHT20 MCS0		CH 100	5500	12.76	14.50	98.47
		CH 120	5600	12.13	14.00	
		CH 144	5720	11.49	13.00	
802.11ac-VHT40 MCS0		CH 102	5510	12.93	14.50	95.96
		CH 118	5590	12.31	14.00	
		CH 142	5710	11.82	13.50	



	802.11ac-VHT80	CH 106	5530	12.31	14.00	92.00
	MCS0	CH 138	5690	11.76	13.50	

Note:

- Per KDB 447498 D01v06, the 1-g SAR test exclusion thresholds for 100 MHz to 6 GHz at *test separation distances* ≤50 mm are determined by:

$$[(\text{max. power of channel, including tune-up tolerance, mW}) / (\text{min. test separation distance, mm})] \cdot [\sqrt{f(\text{GHz})}] \leq 3.0 \text{ for 1-g SAR, where}$$

- f(GHz) is the RF channel transmit frequency in GHz
- Power and distance are rounded to the nearest mW and mm before calculation
- The result is rounded to one decimal place for comparison

Channel	Frequency (GHz)	Max. Tune-up Power (dBm)	Max. Power (mW)	Test distance (mm)	Result	exclusion thresholds for 1-g SAR
102	5.510	14.5	28.0	5	13.15	3.0

- Per KDB 248227 D01v02r02, choose the highest output power channel to test SAR and determine further SAR exclusion.
- The output power of all data rate were pre-scan, just the worst case (the lowest data rate) of all mode were shown in report.

<5.8GHz WLAN>

5.8GHz WLAN	Mode	Channel	Frequency (MHz)	Average power (dBm)	Tune-Up Limit	Duty Cycle %
	802.11a MCS0		CH 149	5745	12.15	14.00
CH 157			5785	12.25	14.00	
CH 165			5825	12.51	14.00	
802.11n-HT20 MCS0		CH 149	5745	11.97	13.50	98.47
		CH 157	5785	12.02	14.00	
		CH 165	5825	12.29	14.00	
802.11n-HT40 MCS0		CH 151	5755	12.34	14.00	95.96
		CH 159	5795	12.43	14.00	
802.11ac-VHT20 MCS0		CH 149	5745	12.02	14.00	98.47
		CH 157	5785	12.05	14.00	
		CH 165	5825	12.34	14.00	
802.11ac-VHT40 MCS0		CH 151	5755	12.29	14.00	95.96
		CH 159	5795	12.35	14.00	
802.11ac-VHT80 MCS0		CH 155	5775	11.76	13.50	92.00



Note:

- Per KDB 447498 D01v06, the 1-g SAR test exclusion thresholds for 100 MHz to 6 GHz at *test separation distances* ≤50 mm are determined by:

$$[(\text{max. power of channel, including tune-up tolerance, mW}) / (\text{min. test separation distance, mm})] \cdot [\sqrt{f(\text{GHz})}] \leq 3.0 \text{ for 1-g SAR, where}$$

- f(GHz) is the RF channel transmit frequency in GHz
- Power and distance are rounded to the nearest mW and mm before calculation
- The result is rounded to one decimal place for comparison

Channel	Frequency (GHz)	Max. Tune-up Power (dBm)	Max. Power (mW)	Test distance (mm)	Result	exclusion thresholds for 1-g SAR
159	5.795	14.0	25.0	5	12.04	3.0

- Per KDB 248227 D01v02r02, choose the highest output power channel to test SAR and determine further SAR exclusion.
- The output power of all data rate were pre-scan, just the worst case (the lowest data rate) of all mode were shown in report.

➤ **Bluetooth Conducted Power**

Mode	Channel	Frequency (MHz)	Average power (dBm)		
			1Mbps	2Mbps	3Mbps
BR / EDR	CH 00	2402	10.63	7.95	8.14
	CH 39	2441	9.86	6.67	6.81
	CH 78	2480	9.41	6.97	6.94
Tune-up Limit (dBm)			12.5	9.5	10.0
Duty Cycle %			77.33	77.33	76.80

Mode	Channel	Frequency (MHz)	Average power (dBm)	
			1Mbps	2Mbps
LE	CH 00	2402	4.31	1.81
	CH 19	2440	3.69	1.18
	CH 39	2480	4.99	2.47
Tune-up Limit (dBm)			5.0	3.0
Duty Cycle %			62.90	33.87

Note:

- The Bluetooth duty cycles are 77.33%, 77.33%, 76.80% for BR/EDR, and 62.90%, 33.87% for LE. According to 2016 Oct. TCB workshop for Bluetooth SAR consideration and the theoretical duty cycle is 83.3%, the refore the actual duty cycle will bescaled up to the theoretical value of Bluetooth reported SAR calculation.



2. Per KDB 447498 D01v06, the 1-g SAR test exclusion thresholds for 100 MHz to 6 GHz at *test separation distances* ≤50 mm are determined by:

$$[(\text{max. power of channel, including tune-up tolerance, mW}) / (\text{min. test separation distance, mm})] \cdot [\sqrt{f(\text{GHz})}] \leq 3.0$$
 for 1-g SAR, where

- f(GHz) is the RF channel transmit frequency in GHz
- Power and distance are rounded to the nearest mW and mm before calculation
- The result is rounded to one decimal place for comparison

Channel	Frequency (GHz)	Max. Tune-up Power (dBm)	Max. Power (mW)	Test distance (mm)	Result	exclusion thresholds for 1-g SAR
CH 00	2.402	12.5	18.0	10.0	2.79	3.0

3. Per KDB 248227 D01v02r02, choose the highest output power channel to test SAR and determine further SAR exclusion.
4. The output power of all data rate were pre-scan, just the worst case (the lowest data rate) of all mode were shown in report.
5. Per KDB 248227 D01V02r02 section 2.2, when the EUT in continuously transmitting mode, the actual duty cycle is 100%, so the duty cycle factor is 1.
6. Held-to ear configuration is not applicable to Bluetooth operations and therefore were not considered for simultaneous transmission.

13.2. Reduced Power for Top Antenna

➤ GSM Conducted Power

GSM1900	Burst Average Power (dBm)			Tune-up Limit (dBm)	Frame-Average Power (dBm)			Tune-up Limit (dBm)
	TX Channel	512	661		810	512	661	
Frequency (MHz)	1850.2	1880	1909.8		1850.2	1880	1909.8	
GSM 1 Tx slot	22.27	22.68	22.68	23.30	13.27	13.68	13.68	14.30
GPRS 1 Tx slot	22.29	22.74	22.66	23.30	13.29	13.74	13.66	14.30
GPRS 2 Tx slots	20.64	20.56	20.46	21.30	14.64	14.56	14.46	15.30
GPRS 3 Tx slots	18.31	18.16	18.00	19.30	14.05	13.90	13.74	15.04
GPRS 4 Tx slots	17.07	16.99	16.86	17.30	14.07	13.99	13.86	14.30
EDGE 1 Tx slot	19.07	19.05	18.86	19.30	10.07	10.05	9.86	10.30
EDGE 2 Tx slots	18.94	18.91	18.73	19.30	12.94	12.91	12.73	13.30
EDGE 3 Tx slots	18.12	18.13	17.91	18.30	13.86	13.87	13.65	14.04
EDGE 4 Tx slots	16.88	16.83	16.64	17.30	13.88	13.83	13.64	14.30

Note: When the sensor is active, the power of top antenna will be reduced about 7dB and used for head SAR measurement.

GSM1900	Burst Average Power (dBm)			Tune-up Limit (dBm)	Frame-Average Power (dBm)			Tune-up Limit (dBm)
	TX Channel	512	661		810	512	661	
Frequency (MHz)	1850.2	1880	1909.8		1850.2	1880	1909.8	
GSM 1 Tx slot	25.01	25.42	25.42	26.30	16.01	16.42	16.42	17.30
GPRS 1 Tx slot	25.03	25.48	25.40	26.30	16.03	16.48	16.40	17.30
GPRS 2 Tx slots	23.38	23.30	23.20	24.30	17.38	17.30	17.20	18.30
GPRS 3 Tx slots	21.05	20.90	20.74	21.30	16.79	16.64	16.48	17.04
GPRS 4 Tx slots	19.81	19.73	19.60	20.30	16.81	16.73	16.60	17.30
EDGE 1 Tx slot	21.81	21.79	21.60	22.30	12.81	12.79	12.60	13.30
EDGE 2 Tx slots	21.68	21.65	21.47	22.30	15.68	15.65	15.47	16.30
EDGE 3 Tx slots	20.86	20.87	20.65	21.30	16.60	16.61	16.39	17.04
EDGE 4 Tx slots	19.62	19.57	19.38	20.30	16.62	16.57	16.38	17.30

Note: When the sensor is active, the power of top antenna will be reduced about 4dB and used for body SAR measurement.



➤ **WCDMA Conducted Power**

Band		WCDMA Band II			Tune-up Limit (dBm)
TX Channel		9262	9400	9538	
Rx Channel		9662	9800	9938	
Frequency (MHz)		1852.4	1880	1907.6	
3GPP Rel 99	RMC 12.2Kbps	16.35	16.45	16.28	16.80
3GPP Rel 5	HSDPA Subtest-1	15.26	15.16	15.24	15.80
3GPP Rel 5	HSDPA Subtest-2	15.28	15.19	15.22	15.80
3GPP Rel 5	HSDPA Subtest-3	14.81	14.68	14.73	15.30
3GPP Rel 5	HSDPA Subtest-4	14.75	14.68	14.72	15.30
3GPP Rel 6	HSUPA Subtest-1	15.19	15.06	15.15	16.30
3GPP Rel 6	HSUPA Subtest-2	13.13	13.06	13.12	14.30
3GPP Rel 6	HSUPA Subtest-3	14.17	14.06	14.12	15.30
3GPP Rel 6	HSUPA Subtest-4	13.16	13.03	13.10	14.30
3GPP Rel 6	HSUPA Subtest-5	15.17	15.08	15.14	16.30
3GPP Rel 7	HSPA+ (16QAM) Subtest-1	13.57	13.51	13.53	13.80

Note: When the sensor is active, the power of top antenna will be reduced about 7dB and used for body SAR measurement.

Band		WCDMA Band IV			Tune-up Limit (dBm)
TX Channel		1312	1413	1513	
Rx Channel		1537	1638	1738	
Frequency (MHz)		1712.4	1732.6	1752.6	
3GPP Rel 99	RMC 12.2Kbps	16.38	16.44	16.54	16.80
3GPP Rel 5	HSDPA Subtest-1	14.97	15.05	15.14	15.80
3GPP Rel 5	HSDPA Subtest-2	14.93	15.07	15.13	15.80
3GPP Rel 5	HSDPA Subtest-3	14.43	14.52	14.63	15.30
3GPP Rel 5	HSDPA Subtest-4	14.42	14.23	14.61	15.30
3GPP Rel 6	HSUPA Subtest-1	14.92	14.99	15.08	16.30
3GPP Rel 6	HSUPA Subtest-2	12.89	12.99	13.10	14.30
3GPP Rel 6	HSUPA Subtest-3	13.88	14.02	14.08	15.30
3GPP Rel 6	HSUPA Subtest-4	12.90	13.00	13.05	14.30
3GPP Rel 6	HSUPA Subtest-5	14.91	15.00	15.08	16.30
3GPP Rel 7	HSPA+ (16QAM) Subtest-1	13.24	13.47	13.66	13.80

Note: When the sensor is active, the power of top antenna will be reduced about 7dB and body SAR measurement.



➤ LTE Conducted Power

<FDD-LTE Band 2>

BW [MHz]	Modulation	RB Size	RB Offset	Low Channel	Middle Channel	High Channel	Tune-up limit (dBm)
Channel				18700	18900	19100	
Frequency (MHz)				1860	1880	1900	
20	QPSK	1	0	16.28	16.22	16.10	16.8
20	QPSK	1	49	16.41	16.05	16.09	
20	QPSK	1	99	16.06	16.18	15.98	
20	QPSK	50	0	15.23	15.32	15.15	15.8
20	QPSK	50	24	15.35	15.27	15.06	
20	QPSK	50	50	15.23	15.21	15.11	
20	QPSK	100	0	15.26	15.24	15.18	
20	16QAM	1	0	15.84	15.88	15.82	15.8
20	16QAM	1	49	15.56	15.61	15.56	
20	16QAM	1	99	15.45	15.49	15.42	
20	16QAM	50	0	14.32	14.40	14.29	14.8
20	16QAM	50	24	14.40	14.40	14.19	
20	16QAM	50	50	14.34	14.42	14.21	
20	16QAM	100	0	14.38	14.24	14.25	
20	64QAM	1	0	15.48	15.59	15.29	14.8
20	64QAM	1	49	15.31	15.36	15.25	
20	64QAM	1	99	15.22	15.30	15.18	
20	64QAM	50	0	14.42	14.47	14.24	13.8
20	64QAM	50	24	14.46	14.35	14.21	
20	64QAM	50	50	14.36	14.33	14.17	
20	64QAM	100	0	14.36	14.34	14.29	
Channel				18675	18900	19125	Tune-up limit (dBm)
Frequency (MHz)				1857.5	1880	1902.5	
15	QPSK	1	0	16.28	16.22	16.08	16.8
15	QPSK	1	37	16.45	16.21	16.21	
15	QPSK	1	74	16.32	16.15	16.05	
15	QPSK	36	0	15.39	15.19	15.06	15.8
15	QPSK	36	20	15.24	15.23	15.03	
15	QPSK	36	39	15.35	15.31	15.04	
15	QPSK	75	0	16.22	16.23	16.05	
15	16QAM	1	0	15.87	15.86	15.88	15.8



15	16QAM	1	37	15.76	15.78	15.72	
15	16QAM	1	74	15.57	15.47	15.45	
15	16QAM	36	0	14.38	14.38	14.10	14.8
15	16QAM	36	20	14.47	14.38	14.22	
15	16QAM	36	39	14.37	14.33	14.14	
15	16QAM	75	0	15.33	15.33	15.18	
15	64QAM	1	0	15.79	15.31	15.31	
15	64QAM	1	37	15.36	15.47	15.43	
15	64QAM	1	74	15.76	15.48	15.36	
15	64QAM	36	0	14.49	14.32	14.06	13.8
15	64QAM	36	20	14.39	14.27	14.18	
15	64QAM	36	39	14.45	14.30	14.09	
15	64QAM	75	0	15.34	15.36	15.09	
Channel				18650	18900	19150	
Frequency (MHz)				1855	1880	1905	
10	QPSK	1	0	16.26	16.36	16.06	16.8
10	QPSK	1	25	16.30	16.04	16.03	
10	QPSK	1	49	16.27	16.20	16.10	
10	QPSK	25	0	15.24	15.19	14.98	15.8
10	QPSK	25	12	15.17	15.23	15.01	
10	QPSK	25	25	15.28	15.13	14.98	
10	QPSK	50	0	15.24	15.22	14.99	
10	16QAM	1	0	15.33	15.25	15.30	
10	16QAM	1	25	15.44	15.31	15.58	
10	16QAM	1	49	15.74	15.51	15.34	
10	16QAM	25	0	14.36	14.39	14.12	14.8
10	16QAM	25	12	14.35	14.35	14.17	
10	16QAM	25	25	14.32	14.29	14.12	
10	16QAM	50	0	14.34	14.32	14.08	
10	64QAM	1	0	15.48	15.41	15.23	
10	64QAM	1	25	15.61	15.57	15.27	
10	64QAM	1	49	15.49	15.62	15.17	
10	64QAM	25	0	14.28	14.30	14.13	13.8
10	64QAM	25	12	14.39	14.25	14.16	
10	64QAM	25	25	14.37	14.23	14.04	
10	64QAM	50	0	14.31	14.24	14.06	
Channel				18625	18900	19175	



Frequency (MHz)				1852.5	1880	1907.5	limit (dBm)
5	QPSK	1	0	16.34	16.09	16.07	16.8
5	QPSK	1	12	16.22	16.14	16.00	
5	QPSK	1	24	16.29	16.07	16.04	
5	QPSK	12	0	15.20	15.27	14.99	15.8
5	QPSK	12	7	15.21	15.25	15.04	
5	QPSK	12	13	15.15	15.23	15.01	
5	QPSK	25	0	15.16	15.19	14.94	15.8
5	16QAM	1	0	15.57	15.43	15.49	
5	16QAM	1	12	15.71	15.47	15.38	
5	16QAM	1	24	15.57	15.56	15.29	14.8
5	16QAM	12	0	14.27	14.35	14.10	
5	16QAM	12	7	14.46	14.28	14.01	
5	16QAM	12	13	14.31	14.34	14.12	14.8
5	16QAM	25	0	14.23	14.33	14.10	
5	64QAM	1	0	15.48	15.79	15.55	
5	64QAM	1	12	15.36	15.77	15.48	14.8
5	64QAM	1	24	15.40	15.79	15.39	
5	64QAM	12	0	14.28	14.33	14.14	
5	64QAM	12	7	14.32	14.34	14.16	13.8
5	64QAM	12	13	14.32	14.18	14.01	
5	64QAM	25	0	14.16	14.30	14.12	
Channel				18615	18900	19185	Tune-up limit (dBm)
Frequency (MHz)				1851.5	1880	1908.5	
3	QPSK	1	0	16.30	16.19	15.92	16.8
3	QPSK	1	8	16.35	16.18	16.03	
3	QPSK	1	14	16.24	16.20	16.03	
3	QPSK	8	0	15.24	15.09	14.96	15.8
3	QPSK	8	4	15.19	15.27	14.99	
3	QPSK	8	7	15.24	15.16	15.06	
3	QPSK	15	0	15.17	15.13	15.00	15.8
3	16QAM	1	0	15.37	15.73	15.39	
3	16QAM	1	8	15.82	15.74	15.57	
3	16QAM	1	14	15.69	15.39	15.55	14.8
3	16QAM	8	0	14.30	14.34	14.13	
3	16QAM	8	4	14.34	14.31	14.19	



3	16QAM	8	7	14.37	14.35	14.02	
3	16QAM	15	0	14.30	14.32	13.97	
3	64QAM	1	0	15.45	15.33	15.46	14.8
3	64QAM	1	8	15.53	15.44	15.14	
3	64QAM	1	14	15.34	15.14	15.16	
3	64QAM	8	0	14.16	14.34	13.96	13.8
3	64QAM	8	4	14.34	14.28	14.17	
3	64QAM	8	7	14.27	14.47	14.05	
3	64QAM	15	0	14.17	14.22	14.13	
Channel				18607	18900	19193	Tune-up limit (dBm)
Frequency (MHz)				1850.7	1880	1909.3	
1.4	QPSK	1	0	16.22	16.02	15.84	16.8
1.4	QPSK	1	3	16.26	16.16	16.02	
1.4	QPSK	1	5	16.21	16.10	15.87	
1.4	QPSK	3	0	16.31	16.08	15.91	
1.4	QPSK	3	1	16.24	16.17	15.94	
1.4	QPSK	3	3	16.18	16.13	15.94	
1.4	QPSK	6	0	15.11	15.11	14.97	15.8
1.4	16QAM	1	0	15.34	15.77	15.49	15.8
1.4	16QAM	1	3	15.43	15.75	15.49	
1.4	16QAM	1	5	15.72	15.41	15.50	
1.4	16QAM	3	0	15.28	15.19	15.01	
1.4	16QAM	3	1	15.35	15.12	15.15	
1.4	16QAM	3	3	15.15	15.37	15.38	
1.4	16QAM	6	0	14.36	14.13	14.09	14.8
1.4	64QAM	1	0	15.08	15.02	14.92	14.8
1.4	64QAM	1	3	15.47	15.37	14.99	
1.4	64QAM	1	5	15.30	15.68	15.16	
1.4	64QAM	3	0	15.35	15.24	15.10	
1.4	64QAM	3	1	15.09	15.26	14.90	
1.4	64QAM	3	3	15.26	15.27	15.08	
1.4	64QAM	6	0	14.27	14.07	14.08	13.8

Note: When the sensor is active, the power of top antenna will be reduced about 7dB and used for head SAR measurement.



BW [MHz]	Modulation	RB Size	RB Offset	Low Channel	Middle Channel	High Channel	Tune-up limit (dBm)
Channel				18700	18900	19100	
Frequency (MHz)				1860	1880	1900	
20	QPSK	1	0	17.37	17.31	17.19	17.8
20	QPSK	1	49	17.50	17.14	17.18	
20	QPSK	1	99	17.15	17.27	17.07	
20	QPSK	50	0	16.32	16.41	16.24	16.8
20	QPSK	50	24	16.44	16.36	16.15	
20	QPSK	50	50	16.32	16.30	16.20	
20	QPSK	100	0	16.35	16.33	16.27	
20	16QAM	1	0	16.93	16.97	16.91	16.8
20	16QAM	1	49	16.65	16.70	16.65	
20	16QAM	1	99	16.54	16.58	16.51	
20	16QAM	50	0	15.41	15.49	15.38	15.8
20	16QAM	50	24	15.49	15.49	15.28	
20	16QAM	50	50	15.43	15.51	15.30	
20	16QAM	100	0	15.47	15.33	15.34	
20	64QAM	1	0	16.57	16.68	16.38	16.8
20	64QAM	1	49	16.40	16.45	16.34	
20	64QAM	1	99	16.31	16.39	16.27	
20	64QAM	50	0	15.51	15.56	15.33	15.8
20	64QAM	50	24	15.55	15.44	15.30	
20	64QAM	50	50	15.45	15.42	15.26	
20	64QAM	100	0	15.45	15.43	15.38	
Channel				18675	18900	19125	Tune-up limit (dBm)
Frequency (MHz)				1857.5	1880	1902.5	
15	QPSK	1	0	17.37	17.31	17.17	17.8
15	QPSK	1	37	17.44	17.30	17.30	
15	QPSK	1	74	17.41	17.24	17.14	
15	QPSK	36	0	16.48	16.28	16.15	16.8
15	QPSK	36	20	16.33	16.32	16.12	
15	QPSK	36	39	16.44	16.40	16.13	
15	QPSK	75	0	16.31	16.32	16.14	
15	16QAM	1	0	16.66	16.65	16.67	16.8
15	16QAM	1	37	16.65	16.67	16.61	
15	16QAM	1	74	16.66	16.56	16.54	



15	16QAM	36	0	15.47	15.47	15.19	16.8
15	16QAM	36	20	15.56	15.47	15.31	
15	16QAM	36	39	15.46	15.42	15.23	
15	16QAM	75	0	15.42	15.42	15.27	
15	64QAM	1	0	16.48	16.40	16.40	16.8
15	64QAM	1	37	16.45	16.56	16.52	
15	64QAM	1	74	16.55	16.57	16.45	
15	64QAM	36	0	15.58	15.41	15.15	15.8
15	64QAM	36	20	15.48	15.36	15.27	
15	64QAM	36	39	15.54	15.39	15.18	
15	64QAM	75	0	15.43	15.45	15.18	
Channel				18650	18900	19150	Tune-up limit (dBm)
Frequency (MHz)				1855	1880	1905	
10	QPSK	1	0	17.35	17.45	17.15	17.8
10	QPSK	1	25	17.39	17.13	17.12	
10	QPSK	1	49	17.36	17.29	17.19	
10	QPSK	25	0	16.33	16.28	16.07	16.8
10	QPSK	25	12	16.26	16.32	16.10	
10	QPSK	25	25	16.37	16.22	16.07	
10	QPSK	50	0	16.33	16.31	16.08	
10	16QAM	1	0	16.42	16.34	16.39	16.8
10	16QAM	1	25	16.53	16.40	16.67	
10	16QAM	1	49	16.63	16.60	16.43	
10	16QAM	25	0	15.45	15.48	15.21	15.8
10	16QAM	25	12	15.44	15.44	15.26	
10	16QAM	25	25	15.41	15.38	15.21	
10	16QAM	50	0	15.43	15.41	15.17	
10	64QAM	1	0	16.57	16.50	16.32	15.8
10	64QAM	1	25	16.70	16.66	16.36	
10	64QAM	1	49	16.58	16.71	16.26	
10	64QAM	25	0	15.37	15.39	15.22	15.8
10	64QAM	25	12	15.48	15.34	15.25	
10	64QAM	25	25	15.46	15.32	15.13	
10	64QAM	50	0	15.40	15.33	15.15	
Channel				18625	18900	19175	Tune-up limit (dBm)
Frequency (MHz)				1852.5	1880	1907.5	



5	QPSK	1	0	17.43	17.18	17.16	17.8
5	QPSK	1	12	17.31	17.23	17.09	
5	QPSK	1	24	17.38	17.16	17.13	
5	QPSK	12	0	16.29	16.36	16.08	16.8
5	QPSK	12	7	16.30	16.34	16.13	
5	QPSK	12	13	16.24	16.32	16.10	
5	QPSK	25	0	16.25	16.28	16.03	16.8
5	16QAM	1	0	16.66	16.52	16.58	
5	16QAM	1	12	16.80	16.56	16.47	
5	16QAM	1	24	16.66	16.65	16.38	15.8
5	16QAM	12	0	15.36	15.44	15.19	
5	16QAM	12	7	15.55	15.37	15.10	
5	16QAM	12	13	15.40	15.43	15.21	14.8
5	16QAM	25	0	15.32	15.42	15.19	
5	64QAM	1	0	16.57	16.58	16.64	
5	64QAM	1	12	16.45	16.56	16.57	16.8
5	64QAM	1	24	16.49	16.58	16.48	
5	64QAM	12	0	15.37	15.42	15.23	
5	64QAM	12	7	15.41	15.43	15.25	14.8
5	64QAM	12	13	15.41	15.27	15.10	
5	64QAM	25	0	15.25	15.39	15.21	
Channel				18615	18900	19185	Tune-up limit (dBm)
Frequency (MHz)				1851.5	1880	1908.5	
3	QPSK	1	0	17.39	17.28	17.01	17.8
3	QPSK	1	8	17.44	17.27	17.12	
3	QPSK	1	14	17.33	17.29	17.12	
3	QPSK	8	0	16.33	16.18	16.05	16.8
3	QPSK	8	4	16.28	16.36	16.08	
3	QPSK	8	7	16.33	16.25	16.15	
3	QPSK	15	0	16.26	16.22	16.09	16.8
3	16QAM	1	0	16.46	16.42	16.48	
3	16QAM	1	8	16.41	16.43	16.66	
3	16QAM	1	14	16.78	16.48	16.64	15.8
3	16QAM	8	0	15.39	15.43	15.22	
3	16QAM	8	4	15.43	15.40	15.28	
3	16QAM	8	7	15.46	15.44	15.11	15.8
3	16QAM	15	0	15.39	15.41	15.06	



3	64QAM	1	0	16.54	16.42	16.55	15.8
3	64QAM	1	8	16.62	16.53	16.23	
3	64QAM	1	14	16.43	16.23	16.25	
3	64QAM	8	0	15.25	15.43	15.05	14.8
3	64QAM	8	4	15.43	15.37	15.26	
3	64QAM	8	7	15.36	15.56	15.14	
3	64QAM	15	0	15.26	15.31	15.22	
Channel				18607	18900	19193	Tune-up limit (dBm)
Frequency (MHz)				1850.7	1880	1909.3	
1.4	QPSK	1	0	17.31	17.11	16.93	17.8
1.4	QPSK	1	3	17.35	17.25	17.11	
1.4	QPSK	1	5	17.30	17.19	16.96	
1.4	QPSK	3	0	17.40	17.17	17.00	
1.4	QPSK	3	1	17.33	17.26	17.03	
1.4	QPSK	3	3	17.27	17.22	17.03	
1.4	QPSK	6	0	16.20	16.20	16.06	16.8
1.4	16QAM	1	0	16.43	16.46	16.58	16.8
1.4	16QAM	1	3	16.52	16.44	16.58	
1.4	16QAM	1	5	16.41	16.50	16.59	
1.4	16QAM	3	0	16.37	16.28	16.10	
1.4	16QAM	3	1	16.44	16.21	16.24	
1.4	16QAM	3	3	16.24	16.46	16.47	
1.4	16QAM	6	0	15.45	15.22	15.18	15.8
1.4	64QAM	1	0	15.17	15.11	15.01	15.8
1.4	64QAM	1	3	15.56	15.46	15.08	
1.4	64QAM	1	5	15.39	15.77	15.25	
1.4	64QAM	3	0	15.54	15.33	15.19	
1.4	64QAM	3	1	15.18	15.35	15.59	
1.4	64QAM	3	3	15.35	15.36	15.17	
1.4	64QAM	6	0	15.36	15.16	15.17	15.8

Note: When the sensor is active, the power of top antenna will be reduced about 6dB and used for body SAR measurement.



<FDD-LTE Band 4>

BW [MHz]	Modulation	RB Size	RB Offset	Low Channel	Middle Channel	High Channel	Tune-up limit (dBm)
Channel				20050	20175	20300	
Frequency (MHz)				1720	1732.5	1745	
20	QPSK	1	0	16.21	16.16	16.17	16.8
20	QPSK	1	49	16.18	16.09	16.24	
20	QPSK	1	99	16.09	16.06	16.29	
20	QPSK	50	0	15.25	15.20	15.29	15.8
20	QPSK	50	24	15.28	15.14	15.18	
20	QPSK	50	50	15.21	15.18	15.20	
20	QPSK	100	0	15.28	15.21	15.24	
20	16QAM	1	0	15.68	15.44	15.36	15.8
20	16QAM	1	49	15.31	15.62	15.73	
20	16QAM	1	99	15.32	15.30	15.31	
20	16QAM	50	0	14.39	14.24	14.25	14.8
20	16QAM	50	24	14.33	14.26	14.33	
20	16QAM	50	50	14.26	14.31	14.30	
20	16QAM	100	0	14.22	14.24	14.30	
20	64QAM	1	0	15.43	15.41	15.30	14.8
20	64QAM	1	49	15.28	15.33	15.29	
20	64QAM	1	99	15.25	15.27	15.36	
20	64QAM	50	0	14.36	14.38	14.26	13.8
20	64QAM	50	24	14.30	14.26	14.30	
20	64QAM	50	50	14.30	14.21	14.20	
20	64QAM	100	0	14.33	14.23	14.26	
Channel				20025	20175	20325	
Frequency (MHz)				1717.5	1732.5	1747.5	
15	QPSK	1	0	16.31	16.17	16.19	16.8
15	QPSK	1	37	16.13	16.05	16.16	
15	QPSK	1	74	16.04	16.16	16.17	
15	QPSK	36	0	15.27	15.18	15.22	15.8
15	QPSK	36	20	15.20	15.27	15.32	
15	QPSK	36	39	15.24	15.24	15.26	
15	QPSK	75	0	15.21	15.20	15.29	15.8
15	16QAM	1	0	15.77	15.38	15.35	
15	16QAM	1	37	15.36	15.62	15.78	



15	16QAM	1	74	15.76	15.46	15.53	
15	16QAM	36	0	14.33	14.34	14.35	14.8
15	16QAM	36	20	14.27	14.35	14.38	
15	16QAM	36	39	14.34	14.33	14.33	
15	16QAM	75	0	14.29	14.37	14.34	
15	64QAM	1	0	15.21	15.52	15.36	
15	64QAM	1	37	15.29	15.28	15.24	14.8
15	64QAM	1	74	15.05	15.14	15.08	
15	64QAM	36	0	14.35	14.37	14.38	
15	64QAM	36	20	14.28	14.34	14.36	13.8
15	64QAM	36	39	14.33	14.38	14.27	
15	64QAM	75	0	14.41	14.26	14.32	
Channel				20000	20175	20350	Tune-up limit (dBm)
Frequency (MHz)				1715	1732.5	1750	
10	QPSK	1	0	16.41	16.15	16.24	16.8
10	QPSK	1	25	16.36	16.24	16.28	
10	QPSK	1	49	16.19	16.18	16.34	
10	QPSK	25	0	15.35	15.25	15.24	15.8
10	QPSK	25	12	15.28	15.29	15.29	
10	QPSK	25	25	15.19	15.20	15.29	
10	QPSK	50	0	15.30	15.30	15.20	
10	16QAM	1	0	15.51	15.40	15.38	15.8
10	16QAM	1	25	15.74	15.37	15.51	
10	16QAM	1	49	15.41	15.74	15.51	
10	16QAM	25	0	14.32	14.33	14.33	14.8
10	16QAM	25	12	14.46	14.32	14.29	
10	16QAM	25	25	14.22	14.21	14.43	
10	16QAM	50	0	14.30	14.29	14.39	
10	64QAM	1	0	15.39	15.40	15.49	14.8
10	64QAM	1	25	15.33	15.65	15.55	
10	64QAM	1	49	15.29	15.40	15.73	
10	64QAM	25	0	14.30	14.28	14.44	13.8
10	64QAM	25	12	14.36	14.38	14.34	
10	64QAM	25	25	14.19	14.28	14.40	
10	64QAM	50	0	14.30	14.22	14.36	
Channel				19975	20175	20375	Tune-up limit
Frequency (MHz)				1712.5	1732.5	1752.5	



							(dBm)
5	QPSK	1	0	16.27	16.16	16.32	16.8
5	QPSK	1	12	16.42	16.28	16.37	
5	QPSK	1	24	16.11	16.22	16.26	
5	QPSK	12	0	15.33	15.18	15.36	15.8
5	QPSK	12	7	15.30	15.23	15.36	
5	QPSK	12	13	15.22	15.22	15.36	
5	QPSK	25	0	15.25	15.28	15.35	
5	16QAM	1	0	15.82	15.73	15.43	15.8
5	16QAM	1	12	15.83	15.63	15.41	
5	16QAM	1	24	15.62	15.40	15.41	
5	16QAM	12	0	14.43	14.40	14.45	14.8
5	16QAM	12	7	14.42	14.40	14.50	
5	16QAM	12	13	14.35	14.29	14.49	
5	16QAM	25	0	14.41	14.40	14.48	
5	64QAM	1	0	15.44	15.16	15.45	14.8
5	64QAM	1	12	15.18	15.19	15.40	
5	64QAM	1	24	15.05	15.20	15.29	
5	64QAM	12	0	14.29	14.34	14.33	13.8
5	64QAM	12	7	14.34	14.24	14.48	
5	64QAM	12	13	14.42	14.29	14.46	
5	64QAM	25	0	14.33	14.35	14.44	
Channel				19965	20175	20385	Tune-up limit (dBm)
Frequency (MHz)				1711.5	1732.5	1753.5	
3	QPSK	1	0	16.21	16.17	16.28	16.8
3	QPSK	1	8	16.48	16.18	16.28	
3	QPSK	1	14	16.23	16.21	16.29	
3	QPSK	8	0	15.28	15.19	15.39	15.8
3	QPSK	8	4	15.29	15.24	15.39	
3	QPSK	8	7	15.30	15.20	15.33	
3	QPSK	15	0	15.28	15.18	15.36	
3	16QAM	1	0	15.56	15.41	15.48	15.8
3	16QAM	1	8	15.45	15.13	15.63	
3	16QAM	1	14	15.34	15.42	15.37	
3	16QAM	8	0	14.42	14.48	14.46	14.8
3	16QAM	8	4	14.32	14.27	14.49	
3	16QAM	8	7	14.38	14.32	14.50	



3	16QAM	15	0	14.53	14.30	14.64	
3	64QAM	1	0	15.17	15.34	15.27	14.8
3	64QAM	1	8	15.45	15.43	15.24	
3	64QAM	1	14	15.77	15.41	15.47	
3	64QAM	8	0	14.53	14.34	14.41	13.8
3	64QAM	8	4	14.30	14.37	14.49	
3	64QAM	8	7	14.29	14.27	14.43	
3	64QAM	15	0	14.38	14.43	14.50	
Channel				19957	20175	20393	Tune-up limit (dBm)
Frequency (MHz)				1710.7	1732.5	1754.3	
1.4	QPSK	1	0	16.26	16.08	16.21	16.8
1.4	QPSK	1	3	16.37	16.19	16.28	
1.4	QPSK	1	5	16.24	16.13	16.19	
1.4	QPSK	3	0	16.21	16.21	16.28	
1.4	QPSK	3	1	16.30	16.31	16.34	
1.4	QPSK	3	3	16.25	16.21	16.30	
1.4	QPSK	6	0	15.11	15.31	15.32	15.8
1.4	16QAM	1	0	15.56	15.47	15.78	15.8
1.4	16QAM	1	3	15.37	15.42	15.46	
1.4	16QAM	1	5	15.42	15.76	15.55	
1.4	16QAM	3	0	15.36	15.32	15.19	
1.4	16QAM	3	1	15.14	15.36	15.38	
1.4	16QAM	3	3	15.28	15.30	15.39	
1.4	16QAM	6	0	14.57	14.34	14.48	14.8
1.4	64QAM	1	0	15.23	15.63	15.46	14.8
1.4	64QAM	1	3	15.38	15.21	15.85	
1.4	64QAM	1	5	15.65	15.02	15.72	
1.4	64QAM	3	0	15.13	15.31	15.41	
1.4	64QAM	3	1	15.56	15.39	15.45	
1.4	64QAM	3	3	15.34	15.13	15.56	
1.4	64QAM	6	0	14.31	14.19	14.34	13.8

Note: When the sensor is active, the power of top antenna will be reduced about 7dB and used for head and body SAR measurement.



<FDD-LTE Band 7>

BW [MHz]	Modulation	RB Size	RB Offset	Low Channel	Middle Channel	High Channel	Tune-up limit (dBm)
Channel				20850	21100	21350	
Frequency (MHz)				2510	2535	2560	
20	QPSK	1	0	15.28	15.11	14.89	16.3
20	QPSK	1	49	15.12	14.96	15.11	
20	QPSK	1	99	15.21	15.15	15.20	
20	QPSK	50	0	14.19	14.08	14.12	15.3
20	QPSK	50	24	14.22	14.05	14.17	
20	QPSK	50	50	14.18	14.11	14.18	
20	QPSK	100	0	14.14	14.04	14.10	
20	16QAM	1	0	14.68	14.51	14.58	15.3
20	16QAM	1	49	14.40	14.27	14.34	
20	16QAM	1	99	14.39	14.64	14.32	
20	16QAM	50	0	13.32	13.18	13.18	14.3
20	16QAM	50	24	13.29	13.26	13.28	
20	16QAM	50	50	13.34	13.16	13.25	
20	16QAM	100	0	13.25	13.22	13.19	
20	64QAM	1	0	14.32	14.13	14.30	14.3
20	64QAM	1	49	14.29	14.18	14.32	
20	64QAM	1	99	14.39	14.42	14.42	
20	64QAM	50	0	13.27	13.15	13.26	13.3
20	64QAM	50	24	13.36	13.17	13.19	
20	64QAM	50	50	13.24	13.27	13.15	
20	64QAM	100	0	13.30	13.26	13.18	
Channel				20825	21100	21375	Tune-up limit (dBm)
Frequency (MHz)				2507.5	2535	2562.5	
15	QPSK	1	0	15.25	14.99	15.08	16.3
15	QPSK	1	37	15.26	15.01	15.09	
15	QPSK	1	74	15.29	15.10	15.21	
15	QPSK	36	0	14.20	14.03	14.14	15.3
15	QPSK	36	20	14.24	14.13	14.19	
15	QPSK	36	39	14.23	14.07	14.10	
15	QPSK	75	0	14.15	14.03	14.06	
15	16QAM	1	0	14.38	14.31	14.68	15.3
15	16QAM	1	37	14.52	14.33	14.30	



15	16QAM	1	74	14.65	14.47	14.67	14.3
15	16QAM	36	0	13.29	13.15	13.22	
15	16QAM	36	20	13.33	13.17	13.27	
15	16QAM	36	39	13.33	13.28	13.24	
15	16QAM	75	0	13.39	13.21	13.22	
15	64QAM	1	0	14.61	14.58	14.31	14.3
15	64QAM	1	37	14.32	14.13	14.60	
15	64QAM	1	74	14.42	14.40	14.50	
15	64QAM	36	0	13.30	13.20	13.19	13.3
15	64QAM	36	20	13.31	13.30	13.23	
15	64QAM	36	39	13.31	13.22	13.20	
15	64QAM	75	0	13.37	13.14	13.19	
Channel				20800	21100	21400	Tune-up limit (dBm)
Frequency (MHz)				2505	2535	2565	
10	QPSK	1	0	15.32	15.00	15.02	16.3
10	QPSK	1	25	15.43	15.04	15.18	
10	QPSK	1	49	15.25	15.12	15.05	
10	QPSK	25	0	14.17	14.11	14.11	15.3
10	QPSK	25	12	14.22	14.06	14.18	
10	QPSK	25	25	14.24	14.07	14.24	
10	QPSK	50	0	14.25	14.07	14.17	
10	16QAM	1	0	14.67	14.62	14.70	15.3
10	16QAM	1	25	14.51	14.31	14.39	
10	16QAM	1	49	14.58	14.26	14.38	
10	16QAM	25	0	13.30	13.17	13.20	14.3
10	16QAM	25	12	13.33	13.17	13.30	
10	16QAM	25	25	13.26	13.31	13.43	
10	16QAM	50	0	13.30	13.23	13.11	
10	64QAM	1	0	14.34	14.29	14.19	14.3
10	64QAM	1	25	14.36	14.21	14.33	
10	64QAM	1	49	14.46	14.22	14.18	
10	64QAM	25	0	13.24	13.15	13.20	13.3
10	64QAM	25	12	13.29	13.19	13.23	
10	64QAM	25	25	13.30	13.21	13.34	
10	64QAM	50	0	13.28	13.21	13.26	
Channel				20775	21100	21425	Tune-up limit
Frequency (MHz)				2502.5	2535	2567.5	



							(dBm)
5	QPSK	1	0	15.15	15.10	15.20	16.3
5	QPSK	1	12	15.07	14.97	15.12	
5	QPSK	1	24	15.23	15.06	15.15	
5	QPSK	12	0	14.34	14.10	14.14	15.3
5	QPSK	12	7	14.35	14.11	14.21	
5	QPSK	12	13	14.18	14.09	14.23	
5	QPSK	25	0	14.17	14.09	14.19	
5	16QAM	1	0	14.16	14.34	14.28	15.3
5	16QAM	1	12	14.36	14.64	14.31	
5	16QAM	1	24	14.31	14.58	14.37	
5	16QAM	12	0	13.37	13.27	13.31	14.3
5	16QAM	12	7	13.28	13.30	13.42	
5	16QAM	12	13	13.35	13.27	13.34	
5	16QAM	25	0	13.30	13.22	13.21	
5	64QAM	1	0	14.45	14.25	14.56	14.3
5	64QAM	1	12	14.41	14.33	14.63	
5	64QAM	1	24	14.23	14.38	14.68	
5	64QAM	12	0	13.32	13.26	13.29	13.3
5	64QAM	12	7	13.31	13.13	13.38	
5	64QAM	12	13	13.21	13.24	13.32	
5	64QAM	25	0	13.35	13.16	13.23	

Note: When the sensor is active, the power of top antenna will be reduced about 7dB and used for head SAR measurement.



BW [MHz]	Modulation	RB Size	RB Offset	Low Channel	Middle Channel	High Channel	Tune-up limit (dBm)
Channel				20850	21100	21350	
Frequency (MHz)				2510	2535	2560	
20	QPSK	1	0	16.81	16.64	16.42	17.3
20	QPSK	1	49	16.65	16.49	16.64	
20	QPSK	1	99	16.84	16.68	16.83	
20	QPSK	50	0	15.4	15.61	15.75	16.3
20	QPSK	50	24	15.75	15.58	15.70	
20	QPSK	50	50	15.71	15.64	15.71	
20	QPSK	100	0	15.67	15.57	15.63	16.3
20	16QAM	1	0	16.21	16.04	16.11	
20	16QAM	1	49	15.93	15.80	15.87	
20	16QAM	1	99	15.92	16.17	15.85	15.3
20	16QAM	50	0	14.85	14.71	14.71	
20	16QAM	50	24	14.82	14.79	14.81	
20	16QAM	50	50	14.87	14.69	14.78	15.3
20	16QAM	100	0	14.78	14.75	14.72	
20	64QAM	1	0	14.85	14.66	14.83	
20	64QAM	1	49	14.82	14.71	14.85	15.3
20	64QAM	1	99	14.92	14.95	14.95	
20	64QAM	50	0	14.20	14.18	14.19	
20	64QAM	50	24	14.19	14.10	14.12	14.3
20	64QAM	50	50	14.17	14.10	14.18	
20	64QAM	100	0	14.13	14.19	14.11	
Channel				20825	21100	21375	Tune-up limit (dBm)
Frequency (MHz)				2507.5	2535	2562.5	
15	QPSK	1	0	16.78	16.52	16.61	17.3
15	QPSK	1	37	16.79	16.54	16.62	
15	QPSK	1	74	16.72	16.63	16.74	
15	QPSK	36	0	15.73	15.56	15.67	16.3
15	QPSK	36	20	15.77	15.66	15.72	
15	QPSK	36	39	15.76	15.60	15.63	
15	QPSK	75	0	15.68	15.56	15.59	16.3
15	16QAM	1	0	15.91	15.84	16.21	
15	16QAM	1	37	16.05	15.86	15.83	
15	16QAM	1	74	16.18	16.00	16.20	



15	16QAM	36	0	14.82	14.68	14.75	15.3
15	16QAM	36	20	14.86	14.70	14.80	
15	16QAM	36	39	14.86	14.81	14.77	
15	16QAM	75	0	14.92	14.74	14.75	
15	64QAM	1	0	16.14	16.11	15.84	15.3
15	64QAM	1	37	15.85	15.66	16.13	
15	64QAM	1	74	15.95	15.93	16.03	
15	64QAM	36	0	14.13	14.23	14.12	14.3
15	64QAM	36	20	14.14	14.13	14.16	
15	64QAM	36	39	14.14	14.15	14.13	
15	64QAM	75	0	14.10	14.17	14.12	
Channel				20800	21100	21400	Tune-up limit (dBm)
Frequency (MHz)				2505	2535	2565	
10	QPSK	1	0	16.75	16.53	16.55	17.3
10	QPSK	1	25	16.76	16.57	16.71	
10	QPSK	1	49	16.78	16.65	16.58	
10	QPSK	25	0	15.70	15.64	15.64	16.3
10	QPSK	25	12	15.75	15.59	15.71	
10	QPSK	25	25	15.77	15.60	15.77	
10	QPSK	50	0	15.78	15.60	15.70	
10	16QAM	1	0	16.20	16.15	16.23	16.3
10	16QAM	1	25	16.04	15.84	15.92	
10	16QAM	1	49	16.11	15.79	15.91	
10	16QAM	25	0	14.83	14.70	14.73	15.3
10	16QAM	25	12	14.86	14.70	14.83	
10	16QAM	25	25	14.79	14.84	14.96	
10	16QAM	50	0	14.83	14.76	14.64	
10	64QAM	1	0	15.17	15.12	15.12	15.3
10	64QAM	1	25	15.19	15.14	15.16	
10	64QAM	1	49	15.19	15.15	15.11	
10	64QAM	25	0	14.17	14.18	14.13	14.3
10	64QAM	25	12	14.12	14.12	14.16	
10	64QAM	25	25	14.13	14.14	14.17	
10	64QAM	50	0	14.11	14.14	14.19	
Channel				20775	21100	21425	Tune-up limit (dBm)
Frequency (MHz)				2502.5	2535	2567.5	



5	QPSK	1	0	16.68	16.63	16.73	17.3
5	QPSK	1	12	16.60	16.50	16.65	
5	QPSK	1	24	16.76	16.59	16.68	
5	QPSK	12	0	15.87	15.63	15.67	16.3
5	QPSK	12	7	15.88	15.64	15.74	
5	QPSK	12	13	15.71	15.62	15.76	
5	QPSK	25	0	15.70	15.62	15.72	
5	16QAM	1	0	15.69	15.87	15.81	16.3
5	16QAM	1	12	15.89	16.17	15.84	
5	16QAM	1	24	15.84	16.11	15.90	
5	16QAM	12	0	14.90	14.80	14.84	15.3
5	16QAM	12	7	14.81	14.83	14.95	
5	16QAM	12	13	14.88	14.80	14.87	
5	16QAM	25	0	14.83	14.75	14.74	
5	64QAM	1	0	15.08	15.08	15.09	15.3
5	64QAM	1	12	15.04	15.16	15.16	
5	64QAM	1	24	15.06	15.01	15.21	
5	64QAM	12	0	14.15	14.19	14.12	14.3
5	64QAM	12	7	14.14	14.06	14.11	
5	64QAM	12	13	14.14	14.07	14.05	
5	64QAM	25	0	14.08	14.09	14.06	

Note: When the sensor is active, the power of top antenna will be reduced about 6.5dB and used for body SAR measurement.



<TDD-LTE Band 38>

BW [MHz]	Modulation	RB Size	RB Offset	Low Channel	Middle Channel	High Channel	Tune-up limit (dBm)
Channel				37850	38000	38150	
Frequency (MHz)				2580	2595	2610	
20	QPSK	1	0	18.31	18.27	18.03	18.8
20	QPSK	1	49	18.23	18.03	18.25	
20	QPSK	1	99	18.09	18.11	18.23	
20	QPSK	50	0	17.53	17.34	17.35	17.8
20	QPSK	50	24	17.33	17.17	17.14	
20	QPSK	50	50	17.30	17.26	17.25	
20	QPSK	100	0	17.51	17.30	17.23	17.8
20	16QAM	1	0	17.84	17.76	17.69	
20	16QAM	1	49	17.68	17.47	17.63	
20	16QAM	1	99	17.45	17.41	17.47	17.8
20	16QAM	50	0	16.65	16.41	16.33	
20	16QAM	50	24	16.47	16.36	16.36	
20	16QAM	50	50	16.46	16.35	16.43	16.8
20	16QAM	100	0	16.42	16.38	16.34	
20	64QAM	1	0	17.77	17.65	17.68	
20	64QAM	1	49	17.55	17.53	17.45	16.8
20	64QAM	1	99	17.42	17.40	17.40	
20	64QAM	50	0	16.55	16.22	16.36	
20	64QAM	50	24	16.48	16.38	16.29	15.8
20	64QAM	50	50	16.36	16.27	16.35	
20	64QAM	100	0	16.48	16.40	16.38	
Channel				37825	38000	38175	Tune-up limit (dBm)
Frequency (MHz)				2577.5	2595	2612.5	
15	QPSK	1	0	18.33	18.27	18.04	18.8
15	QPSK	1	37	18.23	17.94	18.28	
15	QPSK	1	74	18.24	18.22	18.19	
15	QPSK	36	0	17.49	17.25	17.29	17.8
15	QPSK	36	20	17.46	17.33	17.34	
15	QPSK	36	39	17.43	17.27	17.33	
15	QPSK	75	0	17.37	17.29	17.23	17.8
15	16QAM	1	0	17.65	17.58	17.48	



15	16QAM	1	37	17.49	17.29	17.44	16.8
15	16QAM	1	74	17.64	17.58	17.61	
15	16QAM	36	0	16.58	16.29	16.22	
15	16QAM	36	20	16.46	16.28	16.37	
15	16QAM	36	39	16.34	16.23	16.37	
15	16QAM	75	0	16.32	16.28	16.21	
15	64QAM	1	0	17.44	17.26	17.17	16.8
15	64QAM	1	37	17.36	17.26	17.52	
15	64QAM	1	74	17.26	17.20	17.32	
15	64QAM	36	0	16.48	16.29	16.34	15.8
15	64QAM	36	20	16.46	16.28	16.39	
15	64QAM	36	39	16.34	16.33	16.39	
15	64QAM	75	0	16.50	16.26	16.31	
Channel				37800	38000	38200	Tune-up limit (dBm)
Frequency (MHz)				2575	2595	2615	
10	QPSK	1	0	18.25	18.21	18.30	18.8
10	QPSK	1	25	18.36	18.03	18.21	
10	QPSK	1	49	18.26	18.01	18.26	
10	QPSK	25	0	17.26	17.06	17.30	17.8
10	QPSK	25	12	17.31	17.17	17.31	
10	QPSK	25	25	17.36	17.12	17.23	
10	QPSK	50	0	17.38	17.16	17.30	
10	16QAM	1	0	17.52	17.29	17.47	17.8
10	16QAM	1	25	17.51	17.38	17.53	
10	16QAM	1	49	17.61	17.44	17.56	
10	16QAM	25	0	16.41	16.27	16.31	16.8
10	16QAM	25	12	16.57	16.19	16.52	
10	16QAM	25	25	16.43	16.24	16.32	
10	16QAM	50	0	16.53	16.27	16.38	
10	64QAM	1	0	17.52	17.08	17.36	16.8
10	64QAM	1	25	17.28	17.16	17.31	
10	64QAM	1	49	17.37	17.40	17.33	
10	64QAM	25	0	16.52	16.08	16.44	15.8
10	64QAM	25	12	16.37	16.21	16.34	
10	64QAM	25	25	16.44	16.26	16.36	
10	64QAM	50	0	16.33	16.17	16.31	
Channel				37775	38000	38225	Tune-up



Frequency (MHz)				2572.5	2595	2617.5	limit (dBm)
5	QPSK	1	0	18.22	17.92	18.16	18.8
5	QPSK	1	12	18.29	17.92	18.12	
5	QPSK	1	24	18.40	18.01	18.21	
5	QPSK	12	0	17.45	17.00	17.26	17.8
5	QPSK	12	7	17.31	17.12	17.20	
5	QPSK	12	13	17.26	17.10	17.26	
5	QPSK	25	0	17.37	17.17	17.30	
5	16QAM	1	0	17.54	17.25	17.42	17.8
5	16QAM	1	12	17.63	17.23	17.53	
5	16QAM	1	24	17.58	17.45	17.63	
5	16QAM	12	0	16.48	16.18	16.35	16.8
5	16QAM	12	7	16.46	16.21	16.39	
5	16QAM	12	13	16.40	16.19	16.32	
5	16QAM	25	0	16.45	16.31	16.50	
5	64QAM	1	0	17.56	17.24	17.31	16.8
5	64QAM	1	12	17.40	17.20	17.40	
5	64QAM	1	24	17.47	17.25	17.43	
5	64QAM	12	0	16.51	16.22	16.29	15.8
5	64QAM	12	7	16.49	16.25	16.34	
5	64QAM	12	13	16.43	16.23	16.27	
5	64QAM	25	0	16.46	16.11	16.32	

Note: When the sensor is active, the power of top antenna will be reduced about 5dB and used for head SAR measurement.



BW [MHz]	Modulation	RB Size	RB Offset	Low Channel	Middle Channel	High Channel	Tune-up limit (dBm)
Channel				37850	38000	38150	
Frequency (MHz)				2580	2595	2610	
20	QPSK	1	0	20.17	20.13	19.89	20.8
20	QPSK	1	49	20.09	19.89	20.11	
20	QPSK	1	99	19.95	19.97	20.09	
20	QPSK	50	0	19.39	19.20	19.21	19.8
20	QPSK	50	24	19.19	19.03	19.00	
20	QPSK	50	50	19.16	19.12	19.11	
20	QPSK	100	0	19.37	19.16	19.09	
20	16QAM	1	0	19.70	19.62	19.55	19.8
20	16QAM	1	49	19.54	19.33	19.49	
20	16QAM	1	99	19.31	19.27	19.33	
20	16QAM	50	0	18.51	18.27	18.19	18.8
20	16QAM	50	24	18.33	18.22	18.22	
20	16QAM	50	50	18.32	18.21	18.29	
20	16QAM	100	0	18.28	18.24	18.20	
20	64QAM	1	0	19.63	19.51	19.54	19.8
20	64QAM	1	49	19.41	19.39	19.31	
20	64QAM	1	99	19.28	19.26	19.26	
20	64QAM	50	0	18.41	18.08	18.22	18.8
20	64QAM	50	24	18.34	18.24	18.15	
20	64QAM	50	50	18.22	18.13	18.21	
20	64QAM	100	0	18.34	18.26	18.24	
Channel				37825	38000	38175	Tune-up limit (dBm)
Frequency (MHz)				2577.5	2595	2612.5	
15	QPSK	1	0	20.19	20.13	19.90	20.8
15	QPSK	1	37	20.09	19.80	20.14	
15	QPSK	1	74	20.10	20.08	20.05	
15	QPSK	36	0	19.35	19.11	19.15	19.8
15	QPSK	36	20	19.32	19.19	19.20	
15	QPSK	36	39	19.29	19.13	19.19	
15	QPSK	75	0	19.23	19.15	19.09	
15	16QAM	1	0	19.51	19.44	19.34	19.8
15	16QAM	1	37	19.35	19.15	19.30	



15	16QAM	1	74	19.50	19.44	19.47	
15	16QAM	36	0	18.44	18.15	18.08	18.8
15	16QAM	36	20	18.32	18.14	18.23	
15	16QAM	36	39	18.20	18.09	18.23	
15	16QAM	75	0	18.18	18.14	18.07	
15	64QAM	1	0	19.30	19.12	19.03	
15	64QAM	1	37	19.22	19.12	19.38	18.8
15	64QAM	1	74	19.12	19.06	19.18	
15	64QAM	36	0	18.34	18.15	18.20	
15	64QAM	36	20	18.32	18.14	18.25	17.8
15	64QAM	36	39	18.20	18.19	18.25	
15	64QAM	75	0	18.36	18.12	18.17	
Channel				37800	38000	38200	Tune-up limit (dBm)
Frequency (MHz)				2575	2595	2615	
10	QPSK	1	0	20.11	20.07	20.16	20.8
10	QPSK	1	25	20.22	19.89	20.07	
10	QPSK	1	49	20.12	19.87	20.12	
10	QPSK	25	0	19.12	18.92	19.16	19.8
10	QPSK	25	12	19.17	19.03	19.17	
10	QPSK	25	25	19.22	18.98	19.09	
10	QPSK	50	0	19.24	19.02	19.16	
10	16QAM	1	0	19.38	19.15	19.33	19.8
10	16QAM	1	25	19.37	19.24	19.39	
10	16QAM	1	49	19.47	19.30	19.42	
10	16QAM	25	0	18.27	18.13	18.17	18.8
10	16QAM	25	12	18.43	18.05	18.38	
10	16QAM	25	25	18.29	18.10	18.18	
10	16QAM	50	0	18.39	18.13	18.24	
10	64QAM	1	0	19.38	18.94	19.22	18.8
10	64QAM	1	25	19.14	19.02	19.17	
10	64QAM	1	49	19.23	19.26	19.19	
10	64QAM	25	0	18.38	17.94	18.30	17.8
10	64QAM	25	12	18.23	18.07	18.20	
10	64QAM	25	25	18.30	18.12	18.22	
10	64QAM	50	0	18.19	18.03	18.17	
Channel				37775	38000	38225	Tune-up limit
Frequency (MHz)				2572.5	2595	2617.5	



							(dBm)
5	QPSK	1	0	20.08	19.78	20.02	20.8
5	QPSK	1	12	20.15	19.78	19.98	
5	QPSK	1	24	20.06	19.87	20.07	
5	QPSK	12	0	19.31	18.86	19.12	19.8
5	QPSK	12	7	19.17	18.98	19.06	
5	QPSK	12	13	19.12	18.96	19.12	
5	QPSK	25	0	19.23	19.03	19.16	
5	16QAM	1	0	19.40	19.11	19.28	19.8
5	16QAM	1	12	19.49	19.09	19.39	
5	16QAM	1	24	19.44	19.31	19.49	
5	16QAM	12	0	18.34	18.04	18.21	18.8
5	16QAM	12	7	18.32	18.07	18.25	
5	16QAM	12	13	18.26	18.05	18.18	
5	16QAM	25	0	18.31	18.17	18.36	
5	64QAM	1	0	19.42	19.10	19.17	19.8
5	64QAM	1	12	19.26	19.06	19.26	
5	64QAM	1	24	19.33	19.11	19.29	
5	64QAM	12	0	18.37	18.08	18.15	19.8
5	64QAM	12	7	18.35	18.11	18.20	
5	64QAM	12	13	18.29	18.09	18.13	
5	64QAM	25	0	18.32	17.97	18.18	

Note: When the sensor is active, the power of top antenna will be reduced about 3.5dB and used for body SAR measurement.



<TDD-LTE Band 40A>

BW [MHz]	Modulation	RB Size	RB Offset	Low Channel	Middle Channel	High Channel	Tune-up limit (dBm)
Channel				38750			
Frequency (MHz)				2310			
10	QPSK	1	0	18.27			18.8
10	QPSK	1	25	18.20			
10	QPSK	1	49	18.23			
10	QPSK	25	0	17.28			17.8
10	QPSK	25	12	17.41			
10	QPSK	25	25	17.27			
10	QPSK	50	0	17.29			
10	16QAM	1	0	17.39			17.8
10	16QAM	1	25	17.56			
10	16QAM	1	49	17.48			
10	16QAM	25	0	16.34			16.8
10	16QAM	25	12	16.47			
10	16QAM	25	25	16.44			
10	16QAM	50	0	16.34			
10	64QAM	1	0	17.38			16.8
10	64QAM	1	25	17.36			
10	64QAM	1	49	17.45			
10	64QAM	25	0	16.25			15.8
10	64QAM	25	12	16.38			
10	64QAM	25	25	16.36			
10	64QAM	50	0	16.25			
Channel				38725	38750	38775	Tune-up limit (dBm)
Frequency (MHz)				2307.5	2310	2312.5	
5	QPSK	1	0	18.07	18.13	18.24	18.8
5	QPSK	1	12	18.29	18.15	18.08	
5	QPSK	1	24	18.27	18.25	18.17	
5	QPSK	12	0	17.30	17.30	17.32	17.8
5	QPSK	12	7	17.39	17.27	17.39	
5	QPSK	12	13	17.32	17.30	17.32	
5	QPSK	25	0	17.13	17.32	17.24	
5	16QAM	1	0	17.43	17.46	17.48	17.8



5	16QAM	1	12	17.45	17.45	17.38	16.8
5	16QAM	1	24	17.46	17.57	17.49	
5	16QAM	12	0	16.34	16.36	16.49	
5	16QAM	12	7	16.43	16.44	16.47	
5	16QAM	12	13	16.46	16.37	16.39	
5	16QAM	25	0	16.31	16.43	16.45	
5	64QAM	1	0	17.25	17.38	17.40	16.8
5	64QAM	1	12	17.45	17.44	17.27	
5	64QAM	1	24	17.37	17.38	17.41	
5	64QAM	12	0	16.28	16.41	16.43	15.8
5	64QAM	12	7	16.38	16.39	16.42	
5	64QAM	12	13	16.40	16.31	16.34	
5	64QAM	25	0	16.23	16.35	16.38	

Note: When the sensor is active, the power of top antenna will be reduced about 5dB and used for head SAR measurement.

BW [MHz]	Modulation	RB Size	RB Offset	Low Channel	Middle Channel	High Channel	Tune-up limit (dBm)
Channel				38750			20.8
Frequency (MHz)				2310			
10	QPSK	1	0		20.24		20.8
10	QPSK	1	25		20.17		
10	QPSK	1	49		20.20		
10	QPSK	25	0		19.25		19.8
10	QPSK	25	12		19.38		
10	QPSK	25	25		19.24		
10	QPSK	50	0		19.26		
10	16QAM	1	0		19.36		19.8
10	16QAM	1	25		19.53		
10	16QAM	1	49		19.45		
10	16QAM	25	0		18.31		18.8
10	16QAM	25	12		18.44		
10	16QAM	25	25		18.41		
10	16QAM	50	0		18.31		
10	64QAM	1	0		19.35		18.8
10	64QAM	1	25		19.33		
10	64QAM	1	49		19.42		



10	64QAM	25	0	18.22			17.8
10	64QAM	25	12	18.35			
10	64QAM	25	25	18.33			
10	64QAM	50	0	18.22			
Channel				38725	38750	38775	Tune-up limit (dBm)
Frequency (MHz)				2307.5	2310	2312.5	
5	QPSK	1	0	20.04	20.10	20.21	20.8
5	QPSK	1	12	20.26	20.12	20.05	
5	QPSK	1	24	20.24	20.22	20.14	
5	QPSK	12	0	19.27	19.27	19.29	19.8
5	QPSK	12	7	19.36	19.24	19.36	
5	QPSK	12	13	19.29	19.27	19.29	
5	QPSK	25	0	19.10	19.29	19.21	
5	16QAM	1	0	19.40	19.43	19.45	19.8
5	16QAM	1	12	19.42	19.42	19.35	
5	16QAM	1	24	19.43	19.54	19.46	
5	16QAM	12	0	18.31	18.33	18.46	18.8
5	16QAM	12	7	18.40	18.41	18.44	
5	16QAM	12	13	18.43	18.34	18.36	
5	16QAM	25	0	18.28	18.40	18.42	
5	64QAM	1	0	19.22	19.35	19.37	18.8
5	64QAM	1	12	19.42	19.41	19.24	
5	64QAM	1	24	19.34	19.35	19.38	
5	64QAM	12	0	18.25	18.38	18.40	17.8
5	64QAM	12	7	18.35	18.36	18.39	
5	64QAM	12	13	18.37	18.28	18.31	
5	64QAM	25	0	18.20	18.32	18.35	

Note: When the sensor is active, the power of top antenna will be reduced about 3dB and used for body SAR measurement.



<TDD-LTE Band 40B>

BW [MHz]	Modulation	RB Size	RB Offset	Low Channel	Middle Channel	High Channel	Tune-up limit (dBm)
Channel				39200			
Frequency (MHz)				2355			
10	QPSK	1	0	18.42			18.8
10	QPSK	1	25	18.35			
10	QPSK	1	49	18.42			
10	QPSK	25	0	17.46			17.8
10	QPSK	25	12	17.46			
10	QPSK	25	25	17.44			
10	QPSK	50	0	17.46			
10	16QAM	1	0	17.61			17.8
10	16QAM	1	25	17.71			
10	16QAM	1	49	17.58			
10	16QAM	25	0	16.62			16.8
10	16QAM	25	12	16.53			
10	16QAM	25	25	16.51			
10	16QAM	50	0	16.60			
10	64QAM	1	0	17.54			16.8
10	64QAM	1	25	17.51			
10	64QAM	1	49	17.56			
10	64QAM	25	0	16.53			15.8
10	64QAM	25	12	16.54			
10	64QAM	25	25	16.52			
10	64QAM	50	0	16.51			
Channel				39175	39200	39225	Tune-up limit (dBm)
Frequency (MHz)				2352.5	2355	2357.5	
5	QPSK	1	0	18.34	18.35	18.24	18.8
5	QPSK	1	12	18.27	18.36	18.28	
5	QPSK	1	24	18.33	18.28	18.42	
5	QPSK	12	0	17.49	17.52	17.43	17.8
5	QPSK	12	7	17.47	17.54	17.45	
5	QPSK	12	13	17.43	17.43	17.45	
5	QPSK	25	0	17.42	17.39	17.41	
5	16QAM	1	0	17.68	17.57	17.57	17.8



5	16QAM	1	12	17.61	17.66	17.58	16.8
5	16QAM	1	24	17.61	17.60	17.74	
5	16QAM	12	0	16.56	16.59	16.50	
5	16QAM	12	7	16.55	16.61	16.53	
5	16QAM	12	13	16.52	16.50	16.62	
5	16QAM	25	0	16.50	16.51	16.62	
5	64QAM	1	0	17.45	17.59	17.49	16.8
5	64QAM	1	12	17.51	17.45	17.47	
5	64QAM	1	24	17.62	17.51	17.66	
5	64QAM	12	0	16.50	16.54	16.44	15.8
5	64QAM	12	7	16.57	16.56	16.48	
5	64QAM	12	13	16.56	16.44	16.47	
5	64QAM	25	0	16.46	16.43	16.55	

Note: When the sensor is active, the power of top antenna will be reduced about 5dB and used for head SAR measurement.

BW [MHz]	Modulation	RB Size	RB Offset	Low Channel	Middle Channel	High Channel	Tune-up limit (dBm)
Channel				39200			20.8
Frequency (MHz)				2355			
10	QPSK	1	0		20.33		20.8
10	QPSK	1	25		20.26		
10	QPSK	1	49		20.23		
10	QPSK	25	0		19.37		19.8
10	QPSK	25	12		19.37		
10	QPSK	25	25		19.35		
10	QPSK	50	0		19.37		
10	16QAM	1	0		19.52		19.8
10	16QAM	1	25		19.62		
10	16QAM	1	49		19.49		
10	16QAM	25	0		18.53		18.8
10	16QAM	25	12		18.44		
10	16QAM	25	25		18.42		
10	16QAM	50	0		18.51		
10	64QAM	1	0		19.45		19.8
10	64QAM	1	25		19.42		
10	64QAM	1	49		19.47		



10	64QAM	25	0	18.44			18.8
10	64QAM	25	12	18.45			
10	64QAM	25	25	18.43			
10	64QAM	50	0	18.42			
Channel				39175	39200	39225	Tune-up limit (dBm)
Frequency (MHz)				2352.5	2355	2357.5	
5	QPSK	1	0	20.25	20.26	20.15	20.8
5	QPSK	1	12	20.18	20.27	20.19	
5	QPSK	1	24	20.24	20.19	20.33	
5	QPSK	12	0	19.40	19.43	19.34	19.8
5	QPSK	12	7	19.38	19.45	19.36	
5	QPSK	12	13	19.34	19.34	19.36	
5	QPSK	25	0	19.33	19.30	19.32	
5	16QAM	1	0	19.59	19.48	19.48	19.8
5	16QAM	1	12	19.52	19.57	19.49	
5	16QAM	1	24	19.52	19.51	19.65	
5	16QAM	12	0	18.47	18.50	18.41	18.8
5	16QAM	12	7	18.46	18.52	18.44	
5	16QAM	12	13	18.43	18.41	18.53	
5	16QAM	25	0	18.41	18.42	18.53	
5	64QAM	1	0	19.36	19.50	19.40	19.8
5	64QAM	1	12	19.42	19.36	19.38	
5	64QAM	1	24	19.53	19.42	19.57	
5	64QAM	12	0	18.41	18.45	18.35	18.8
5	64QAM	12	7	18.48	18.47	18.39	
5	64QAM	12	13	18.47	18.35	18.38	
5	64QAM	25	0	18.37	18.34	18.46	

Note: When the sensor is active, the power of top antenna will be reduced about 3dB and used for body SAR measurement.



<TDD-LTE Band 41>

BW [MHz]	Modulation	RB Size	RB Offset	Low Channel	Middle Low Channel	Middle High Channel	High Channel	Tune-up limit (dBm)
Channel				40140	40400	40670	41140	
Frequency (MHz)				2545	2571	2598	2645	
20	QPSK	1	0	18.68	18.51	18.41	18.65	19.8
20	QPSK	1	49	18.53	18.63	18.28	18.50	
20	QPSK	1	99	18.58	18.36	18.38	18.35	
20	QPSK	50	0	17.82	17.80	17.64	17.76	18.8
20	QPSK	50	24	17.79	17.69	17.63	17.63	
20	QPSK	50	50	17.87	17.67	17.70	17.60	
20	QPSK	100	0	17.78	17.74	17.77	17.61	
20	16QAM	1	0	17.84	17.88	17.86	18.09	18.8
20	16QAM	1	49	18.08	17.95	17.91	17.73	
20	16QAM	1	99	18.11	17.68	18.00	17.69	
20	16QAM	50	0	16.95	16.86	16.83	16.73	17.8
20	16QAM	50	24	16.93	17.00	16.82	16.82	
20	16QAM	50	50	16.91	16.89	16.89	16.59	
20	16QAM	100	0	16.92	16.84	16.84	16.68	
20	64QAM	1	0	17.98	17.75	17.64	17.67	17.8
20	64QAM	1	49	17.97	17.81	17.58	17.51	
20	64QAM	1	99	17.98	17.55	17.56	17.50	
20	64QAM	50	0	16.85	16.81	16.64	16.64	16.8
20	64QAM	50	24	16.84	16.87	16.84	16.74	
20	64QAM	50	50	16.93	16.80	16.70	16.62	
20	64QAM	100	0	16.94	16.98	16.87	16.83	
Channel				40115	40395	40685	41165	Tune-up limit (dBm)
Frequency (MHz)				2542.5	2570.5	2599.5	2647.5	
15	QPSK	1	0	18.76	18.62	18.42	18.59	19.8
15	QPSK	1	37	18.61	18.63	18.56	18.53	
15	QPSK	1	74	18.62	18.59	18.47	18.34	
15	QPSK	36	0	17.72	17.70	17.57	17.73	18.8
15	QPSK	36	20	17.75	17.70	17.81	17.74	
15	QPSK	36	39	17.67	17.63	17.69	17.52	
15	QPSK	75	0	17.79	17.74	17.59	17.80	
15	16QAM	1	0	18.04	17.93	17.93	18.00	18.8



15	16QAM	1	37	17.90	17.88	17.62	17.60	17.8
15	16QAM	1	74	18.02	17.85	17.74	17.58	
15	16QAM	36	0	16.91	16.83	16.72	16.69	
15	16QAM	36	20	16.96	16.95	16.76	16.70	
15	16QAM	36	39	16.87	16.89	16.84	16.59	
15	16QAM	75	0	16.86	17.03	16.79	16.71	
15	64QAM	1	0	17.86	17.81	17.63	17.69	17.8
15	64QAM	1	37	17.79	17.84	17.60	17.48	
15	64QAM	1	74	17.73	17.80	17.61	17.49	
15	64QAM	36	0	16.92	16.95	16.73	16.70	16.8
15	64QAM	36	20	16.97	16.95	16.87	16.61	
15	64QAM	36	39	16.98	16.90	16.85	16.60	
15	64QAM	75	0	16.94	16.91	16.78	16.69	
Channel				40090	40390	40690	41190	Tune-up limit (dBm)
Frequency (MHz)				2540	2570	2600	2650	
10	QPSK	1	0	18.67	18.70	18.41	18.40	19.8
10	QPSK	1	25	18.77	18.83	18.57	18.51	
10	QPSK	1	49	18.59	18.65	18.82	18.39	
10	QPSK	25	0	17.88	17.79	17.66	17.61	18.8
10	QPSK	25	12	17.83	18.04	17.90	17.66	
10	QPSK	25	25	17.89	17.92	17.66	17.55	
10	QPSK	50	0	17.84	17.94	17.73	17.76	
10	16QAM	1	0	17.86	18.12	17.69	17.93	18.8
10	16QAM	1	25	17.93	17.98	17.79	17.75	
10	16QAM	1	49	18.04	18.06	17.83	17.68	
10	16QAM	25	0	16.93	16.99	16.78	16.93	17.8
10	16QAM	25	12	16.99	17.14	16.90	16.77	
10	16QAM	25	25	16.85	17.12	16.77	16.77	
10	16QAM	50	0	16.99	17.01	16.82	16.76	
10	64QAM	1	0	17.80	17.84	17.77	17.62	17.8
10	64QAM	1	25	17.82	18.15	17.67	17.83	
10	64QAM	1	49	18.00	17.90	17.69	17.75	
10	64QAM	25	0	16.84	16.90	16.79	16.64	16.8
10	64QAM	25	12	17.00	17.04	16.82	16.80	
10	64QAM	25	25	16.77	16.83	16.79	16.59	
10	64QAM	50	0	16.80	16.92	16.74	16.77	
Channel				40065	40385	40705	41215	Tune-up



Frequency (MHz)				2537.5	2569.5	2601.5	2652.5	limit (dBm)
5	QPSK	1	0	18.60	18.59	18.40	18.46	19.8
5	QPSK	1	12	18.62	18.63	18.54	18.49	
5	QPSK	1	24	18.67	18.81	18.62	18.38	
5	QPSK	12	0	17.81	17.81	17.63	17.58	18.8
5	QPSK	12	7	17.91	17.78	17.62	17.61	
5	QPSK	12	13	17.88	17.80	17.75	17.64	
5	QPSK	25	0	17.86	17.84	17.67	17.58	18.8
5	16QAM	1	0	17.94	17.93	17.73	17.89	
5	16QAM	1	12	17.97	18.14	17.85	17.82	
5	16QAM	1	24	18.04	18.04	17.96	17.74	17.8
5	16QAM	12	0	16.84	16.99	16.80	16.78	
5	16QAM	12	7	16.83	16.96	16.71	16.82	
5	16QAM	12	13	16.93	16.87	16.74	16.73	17.8
5	16QAM	25	0	16.96	16.95	16.91	16.72	
5	64QAM	1	0	17.82	17.92	17.63	17.80	
5	64QAM	1	12	17.87	18.01	17.83	17.70	17.8
5	64QAM	1	24	17.86	17.93	17.76	17.64	
5	64QAM	12	0	16.90	16.92	16.85	16.71	
5	64QAM	12	7	16.87	16.90	16.75	16.66	16.8
5	64QAM	12	13	16.87	16.81	16.68	16.68	
5	64QAM	25	0	16.75	16.86	16.71	16.65	

Note: When the sensor is active, the power of top antenna will be reduced about 4dB and used for head SAR measurement.



BW [MHz]	Modulation	RB Size	RB Offset	Low Channel	Middle Low Channel	Middle High Channel	High Channel	Tune-up limit (dBm)
Channel				40140	40400	40670	41140	
Frequency (MHz)				2545	2571	2598	2645	
20	QPSK	1	0	20.56	20.39	20.29	20.53	21.8
20	QPSK	1	49	20.41	20.51	20.16	20.38	
20	QPSK	1	99	20.46	20.24	20.26	20.23	
20	QPSK	50	0	19.70	19.68	19.52	19.64	20.8
20	QPSK	50	24	19.67	19.57	19.51	19.51	
20	QPSK	50	50	19.75	19.55	19.58	19.48	
20	QPSK	100	0	19.66	19.62	19.65	19.49	20.8
20	16QAM	1	0	19.72	19.76	19.74	19.97	
20	16QAM	1	49	19.96	19.83	19.79	19.61	
20	16QAM	1	99	19.99	19.56	19.88	19.57	19.8
20	16QAM	50	0	18.83	18.74	18.71	18.61	
20	16QAM	50	24	18.81	18.88	18.70	18.70	
20	16QAM	50	50	18.79	18.77	18.77	18.47	19.8
20	16QAM	100	0	18.80	18.72	18.72	18.56	
20	64QAM	1	0	19.86	19.63	19.52	19.55	
20	64QAM	1	49	19.85	19.69	19.46	19.39	19.8
20	64QAM	1	99	19.86	19.43	19.44	19.38	
20	64QAM	50	0	18.73	18.69	18.52	18.52	
20	64QAM	50	24	18.72	18.75	18.72	18.62	18.8
20	64QAM	50	50	18.81	18.68	18.58	18.50	
20	64QAM	100	0	18.82	18.86	18.75	18.71	
Channel				40115	40395	40685	41165	Tune-up limit (dBm)
Frequency (MHz)				2542.5	2570.5	2599.5	2647.5	
15	QPSK	1	0	20.34	20.30	20.30	20.47	21.8
15	QPSK	1	37	20.39	20.31	20.44	20.41	
15	QPSK	1	74	20.50	20.47	20.35	20.22	
15	QPSK	36	0	19.60	19.58	19.45	19.61	20.8
15	QPSK	36	20	19.63	19.58	19.69	19.62	
15	QPSK	36	39	19.55	19.51	19.57	19.40	
15	QPSK	75	0	19.67	19.62	19.47	19.68	20.8
15	16QAM	1	0	19.92	19.81	19.81	19.88	
15	16QAM	1	37	19.78	19.76	19.50	19.48	



15	16QAM	1	74	19.90	19.73	19.62	19.46	
15	16QAM	36	0	18.79	18.71	18.60	18.57	19.8
15	16QAM	36	20	18.84	18.83	18.64	18.58	
15	16QAM	36	39	18.75	18.77	18.72	18.47	
15	16QAM	75	0	18.74	18.91	18.67	18.59	
15	64QAM	1	0	19.74	19.69	19.51	19.57	19.8
15	64QAM	1	37	19.67	19.72	19.48	19.36	
15	64QAM	1	74	19.61	19.68	19.49	19.37	
15	64QAM	36	0	18.80	18.83	18.61	18.58	18.8
15	64QAM	36	20	18.85	18.83	18.75	18.49	
15	64QAM	36	39	18.86	18.78	18.73	18.48	
15	64QAM	75	0	18.82	18.79	18.66	18.57	
Channel				40090	40390	40690	41190	Tune-up limit (dBm)
Frequency (MHz)				2540	2570	2600	2650	
10	QPSK	1	0	20.35	20.38	20.29	20.28	21.8
10	QPSK	1	25	20.35	20.31	20.45	20.39	
10	QPSK	1	49	20.47	20.33	20.30	20.27	
10	QPSK	25	0	19.76	19.67	19.54	19.49	20.8
10	QPSK	25	12	19.71	19.92	19.78	19.54	
10	QPSK	25	25	19.77	19.80	19.54	19.43	
10	QPSK	50	0	19.72	19.82	19.61	19.64	20.8
10	16QAM	1	0	19.74	20.00	19.57	19.81	
10	16QAM	1	25	19.81	19.86	19.67	19.63	
10	16QAM	1	49	19.92	19.94	19.71	19.56	19.8
10	16QAM	25	0	18.81	18.87	18.66	18.81	
10	16QAM	25	12	18.87	19.02	18.78	18.65	
10	16QAM	25	25	18.73	19.00	18.65	18.65	19.8
10	16QAM	50	0	18.87	18.89	18.70	18.64	
10	64QAM	1	0	19.68	19.72	19.65	19.50	
10	64QAM	1	25	19.70	20.03	19.55	19.71	19.8
10	64QAM	1	49	19.88	19.78	19.57	19.63	
10	64QAM	25	0	18.72	18.78	18.67	18.52	
10	64QAM	25	12	18.88	18.92	18.70	18.68	18.8
10	64QAM	25	25	18.65	18.71	18.67	18.47	
10	64QAM	50	0	18.68	18.80	18.62	18.65	
Channel				40065	40385	40705	41215	Tune-up limit
Frequency (MHz)				2537.5	2569.5	2601.5	2652.5	



								(dBm)
5	QPSK	1	0	20.38	20.37	20.28	20.34	21.8
5	QPSK	1	12	20.30	20.51	20.42	20.37	
5	QPSK	1	24	20.35	20.39	20.30	20.26	
5	QPSK	12	0	19.69	19.69	19.51	19.46	20.8
5	QPSK	12	7	19.79	19.66	19.50	19.49	
5	QPSK	12	13	19.76	19.68	19.63	19.52	
5	QPSK	25	0	19.74	19.72	19.55	19.46	
5	16QAM	1	0	19.82	19.81	19.61	19.77	20.8
5	16QAM	1	12	19.85	20.02	19.73	19.70	
5	16QAM	1	24	19.92	19.92	19.84	19.62	
5	16QAM	12	0	18.72	18.87	18.68	18.66	19.8
5	16QAM	12	7	18.71	18.84	18.59	18.70	
5	16QAM	12	13	18.81	18.75	18.62	18.61	
5	16QAM	25	0	18.84	18.83	18.79	18.60	
5	64QAM	1	0	19.70	19.80	19.51	19.68	19.8
5	64QAM	1	12	19.75	19.89	19.71	19.58	
5	64QAM	1	24	19.74	19.81	19.64	19.52	
5	64QAM	12	0	18.78	18.80	18.73	18.59	18.8
5	64QAM	12	7	18.75	18.78	18.63	18.54	
5	64QAM	12	13	18.75	18.69	18.56	18.56	
5	64QAM	25	0	18.63	18.74	18.59	18.53	

Note: When the sensor is active, the power of top antenna will be reduced about 2dB and used for body SAR measurement.

13.3. Reduced Power for Bottom Antenna

➤ GSM Conducted Power

GSM1900 TX Channel	Burst Average Power (dBm)			Tune-up Limit (dBm)	Frame-Average Power (dBm)			Tune-up Limit (dBm)
	512	661	810		512	661	810	
Frequency (MHz)	1850.2	1880	1909.8		1850.2	1880	1909.8	
GSM 1 Tx slot	26.01	26.42	26.42	27.30	17.01	17.42	17.42	18.30
GPRS 1 Tx slot	26.03	26.48	26.40	27.30	17.03	17.48	17.40	18.30
GPRS 2 Tx slots	24.38	24.30	24.20	25.30	18.38	18.30	18.20	19.30
GPRS 3 Tx slots	22.05	21.90	21.74	22.30	17.79	17.64	17.48	18.04
GPRS 4 Tx slots	20.81	20.73	20.60	21.30	17.81	17.73	17.60	18.30
EDGE 1 Tx slot	22.81	22.79	22.60	23.30	13.81	13.79	13.60	14.30
EDGE 2 Tx slots	22.68	22.65	22.47	23.30	16.68	16.65	16.47	17.30
EDGE 3 Tx slots	21.86	21.87	21.65	22.30	17.60	17.61	17.39	18.04
EDGE 4 Tx slots	20.62	20.57	20.38	21.30	17.62	17.57	17.38	18.30

Note: When the sensor is active, the power of bottom antenna will be reduced about 3dB and used for body SAR measurement.

➤ WCDMA Conducted Power

Band		WCDMA Band II			Tune-up Limit (dBm)
TX Channel		9262	9400	9538	
Rx Channel		9662	9800	9938	
Frequency (MHz)		1852.4	1880	1907.6	
3GPP Rel 99	RMC 12.2Kbps	16.35	16.45	16.28	16.80
3GPP Rel 5	HSDPA Subtest-1	22.27	22.17	22.25	22.80
3GPP Rel 5	HSDPA Subtest-2	22.29	22.20	22.23	22.80
3GPP Rel 5	HSDPA Subtest-3	21.82	21.69	21.74	22.30
3GPP Rel 5	HSDPA Subtest-4	21.76	21.69	21.73	22.30
3GPP Rel 6	HSUPA Subtest-1	22.20	22.07	22.16	23.30
3GPP Rel 6	HSUPA Subtest-2	20.14	20.07	20.13	21.30
3GPP Rel 6	HSUPA Subtest-3	21.18	21.07	21.13	22.30
3GPP Rel 6	HSUPA Subtest-4	20.17	20.04	20.11	21.30
3GPP Rel 6	HSUPA Subtest-5	22.18	22.09	22.15	23.30
3GPP Rel 7	HSPA+ (16QAM) Subtest-1	20.58	20.52	20.54	20.80

Note: When the sensor is active, the power of bottom antenna will be reduced about 7dB and used for body SAR measurement.



Band		WCDMA Band IV			Tune-up Limit (dBm)
TX Channel		1312	1413	1513	
Rx Channel		1537	1638	1738	
Frequency (MHz)		1712.4	1732.6	1752.6	
3GPP Rel 99	RMC 12.2Kbps	19.77	19.83	19.93	20.80
3GPP Rel 5	HSDPA Subtest-1	18.97	19.05	19.14	20.30
3GPP Rel 5	HSDPA Subtest-2	18.93	19.07	19.13	20.30
3GPP Rel 5	HSDPA Subtest-3	18.43	18.52	18.63	19.80
3GPP Rel 5	HSDPA Subtest-4	18.42	18.23	18.61	19.80
3GPP Rel 6	HSUPA Subtest-1	18.92	18.99	19.08	20.30
3GPP Rel 6	HSUPA Subtest-2	16.89	16.99	17.10	18.30
3GPP Rel 6	HSUPA Subtest-3	17.88	18.02	18.08	19.30
3GPP Rel 6	HSUPA Subtest-4	16.90	17.00	17.05	18.30
3GPP Rel 6	HSUPA Subtest-5	18.91	19.00	19.08	20.30
3GPP Rel 7	HSPA+ (16QAM) Subtest-1	17.24	17.47	17.66	17.80

Note: When the sensor is active, the power of bottom antenna will be reduced about 3dB and used for body SAR measurement.

➤ **LTE Conducted Power**

<FDD-LTE Band 2>

BW [MHz]	Modulation	RB Size	RB Offset	Low Channel	Middle Channel	High Channel	Tune-up limit (dBm)
Channel				18700	18900	19100	
Frequency (MHz)				1860	1880	1900	
20	QPSK	1	0	18.44	18.38	18.26	19.8
20	QPSK	1	49	18.57	18.21	18.25	
20	QPSK	1	99	18.22	18.34	18.14	
20	QPSK	50	0	17.39	17.48	17.31	18.8
20	QPSK	50	24	17.51	17.43	17.22	
20	QPSK	50	50	17.39	17.37	17.27	
20	QPSK	100	0	17.42	17.40	17.34	
20	16QAM	1	0	18.00	18.04	17.98	18.8
20	16QAM	1	49	17.72	17.77	17.72	
20	16QAM	1	99	17.61	17.65	17.58	
20	16QAM	50	0	16.48	16.56	16.45	17.8
20	16QAM	50	24	16.56	16.56	16.35	
20	16QAM	50	50	16.50	16.58	16.37	
20	16QAM	100	0	16.54	16.40	16.41	



20	64QAM	1	0	17.64	17.75	17.45	17.8
20	64QAM	1	49	17.47	17.52	17.41	
20	64QAM	1	99	17.38	17.46	17.34	
20	64QAM	50	0	16.58	16.63	16.40	16.8
20	64QAM	50	24	16.62	16.51	16.37	
20	64QAM	50	50	16.52	16.49	16.33	
20	64QAM	100	0	16.52	16.50	16.45	
Channel				18675	18900	19125	Tune-up limit (dBm)
Frequency (MHz)				1857.5	1880	1902.5	
15	QPSK	1	0	18.44	18.38	18.24	19.8
15	QPSK	1	37	18.31	18.37	18.37	
15	QPSK	1	74	18.48	18.31	18.21	
15	QPSK	36	0	17.55	17.35	17.22	18.8
15	QPSK	36	20	17.40	17.39	17.19	
15	QPSK	36	39	17.51	17.47	17.20	
15	QPSK	75	0	18.38	18.39	18.21	
15	16QAM	1	0	18.03	18.02	18.04	18.8
15	16QAM	1	37	17.92	17.94	17.88	
15	16QAM	1	74	17.73	17.63	17.61	
15	16QAM	36	0	16.54	16.54	16.26	17.8
15	16QAM	36	20	16.63	16.54	16.38	
15	16QAM	36	39	16.53	16.49	16.30	
15	16QAM	75	0	17.49	17.49	17.34	
15	64QAM	1	0	17.55	17.47	17.47	17.8
15	64QAM	1	37	17.52	17.63	17.59	
15	64QAM	1	74	17.52	17.64	17.52	
15	64QAM	36	0	16.65	16.48	16.22	16.8
15	64QAM	36	20	16.55	16.43	16.34	
15	64QAM	36	39	16.61	16.46	16.25	
15	64QAM	75	0	16.50	16.52	16.25	
Channel				18650	18900	19150	Tune-up limit (dBm)
Frequency (MHz)				1855	1880	1905	
10	QPSK	1	0	18.42	18.52	18.22	19.8
10	QPSK	1	25	18.46	18.20	18.19	
10	QPSK	1	49	18.43	18.36	18.26	
10	QPSK	25	0	17.40	17.35	17.14	18.8



10	QPSK	25	12	17.33	17.39	17.17	
10	QPSK	25	25	17.44	17.29	17.14	
10	QPSK	50	0	17.40	17.38	17.15	
10	16QAM	1	0	17.49	17.41	17.46	18.8
10	16QAM	1	25	17.60	17.47	17.74	
10	16QAM	1	49	17.69	17.67	17.50	
10	16QAM	25	0	16.52	16.55	16.28	17.8
10	16QAM	25	12	16.51	16.51	16.33	
10	16QAM	25	25	16.48	16.45	16.28	
10	16QAM	50	0	16.50	16.48	16.24	
10	64QAM	1	0	17.64	17.57	17.39	17.8
10	64QAM	1	25	17.77	17.73	17.43	
10	64QAM	1	49	17.65	17.78	17.33	
10	64QAM	25	0	16.44	16.46	16.29	16.8
10	64QAM	25	12	16.55	16.41	16.32	
10	64QAM	25	25	16.53	16.39	16.20	
10	64QAM	50	0	16.47	16.40	16.22	
Channel				18625	18900	19175	Tune-up limit (dBm)
Frequency (MHz)				1852.5	1880	1907.5	
5	QPSK	1	0	18.50	18.25	18.23	19.8
5	QPSK	1	12	18.38	18.30	18.16	
5	QPSK	1	24	18.45	18.23	18.20	
5	QPSK	12	0	17.36	17.43	17.15	18.8
5	QPSK	12	7	17.37	17.41	17.20	
5	QPSK	12	13	17.31	17.39	17.17	
5	QPSK	25	0	17.32	17.35	17.10	
5	16QAM	1	0	17.73	17.59	17.65	18.8
5	16QAM	1	12	17.87	17.63	17.54	
5	16QAM	1	24	17.73	17.72	17.45	
5	16QAM	12	0	16.43	16.51	16.26	17.8
5	16QAM	12	7	16.62	16.44	16.17	
5	16QAM	12	13	16.47	16.50	16.28	
5	16QAM	25	0	16.39	16.49	16.26	
5	64QAM	1	0	17.64	17.65	17.71	17.8
5	64QAM	1	12	17.52	17.63	17.64	
5	64QAM	1	24	17.56	17.65	17.55	
5	64QAM	12	0	16.44	16.49	16.30	16.8



5	64QAM	12	7	16.48	16.50	16.32	
5	64QAM	12	13	16.48	16.34	16.17	
5	64QAM	25	0	16.32	16.46	16.28	
Channel				18615	18900	19185	Tune-up limit (dBm)
Frequency (MHz)				1851.5	1880	1908.5	
3	QPSK	1	0	18.46	18.35	18.08	19.8
3	QPSK	1	8	18.51	18.34	18.19	
3	QPSK	1	14	18.40	18.36	18.19	
3	QPSK	8	0	17.40	17.25	17.12	18.8
3	QPSK	8	4	17.35	17.43	17.15	
3	QPSK	8	7	17.40	17.32	17.22	
3	QPSK	15	0	17.33	17.29	17.16	
3	16QAM	1	0	17.53	17.89	17.55	18.8
3	16QAM	1	8	17.98	17.90	17.73	
3	16QAM	1	14	17.85	17.55	17.71	
3	16QAM	8	0	16.46	16.50	16.29	17.8
3	16QAM	8	4	16.50	16.47	16.35	
3	16QAM	8	7	16.53	16.51	16.18	
3	16QAM	15	0	16.46	16.48	16.13	
3	64QAM	1	0	17.61	17.49	17.62	17.8
3	64QAM	1	8	17.69	17.60	17.30	
3	64QAM	1	14	17.50	17.30	17.32	
3	64QAM	8	0	16.32	16.50	16.12	16.8
3	64QAM	8	4	16.50	16.44	16.33	
3	64QAM	8	7	16.43	16.63	16.21	
3	64QAM	15	0	16.33	16.38	16.29	
Channel				18607	18900	19193	Tune-up limit (dBm)
Frequency (MHz)				1850.7	1880	1909.3	
1.4	QPSK	1	0	18.38	18.18	18.00	19.8
1.4	QPSK	1	3	18.42	18.32	18.18	
1.4	QPSK	1	5	18.37	18.26	18.03	
1.4	QPSK	3	0	18.47	18.24	18.07	
1.4	QPSK	3	1	18.40	18.33	18.10	
1.4	QPSK	3	3	18.34	18.29	18.10	
1.4	QPSK	6	0	17.27	17.27	17.13	18.8
1.4	16QAM	1	0	17.50	17.93	17.65	18.8



1.4	16QAM	1	3	17.59	17.91	17.65	
1.4	16QAM	1	5	17.88	17.57	17.66	
1.4	16QAM	3	0	17.44	17.35	17.17	
1.4	16QAM	3	1	17.51	17.28	17.31	
1.4	16QAM	3	3	17.31	17.53	17.54	
1.4	16QAM	6	0	16.52	16.29	16.25	17.8
1.4	64QAM	1	0	17.24	17.18	17.08	17.8
1.4	64QAM	1	3	17.63	17.53	17.15	
1.4	64QAM	1	5	17.46	17.64	17.32	
1.4	64QAM	3	0	17.51	17.40	17.26	
1.4	64QAM	3	1	17.25	17.42	17.06	
1.4	64QAM	3	3	17.42	17.43	17.24	
1.4	64QAM	6	0	16.43	16.23	16.24	16.8

Note: When the sensor is active, the power of bottom antenna will be reduced about 4dB and used for body SAR measurement.

<FDD-LTE Band 4>

BW [MHz]	Modulation	RB Size	RB Offset	Low Channel	Middle Channel	High Channel	Tune-up limit (dBm)
Channel				20050	20175	20300	
Frequency (MHz)				1720	1732.5	1745	
20	QPSK	1	0	19.67	19.62	19.63	20.8
20	QPSK	1	49	19.64	19.55	19.70	
20	QPSK	1	99	19.55	19.52	19.85	
20	QPSK	50	0	18.71	18.66	18.75	19.8
20	QPSK	50	24	18.74	18.60	18.64	
20	QPSK	50	50	18.67	18.64	18.66	
20	QPSK	100	0	18.74	18.67	18.70	
20	16QAM	1	0	19.14	18.90	18.82	19.8
20	16QAM	1	49	18.77	19.08	19.19	
20	16QAM	1	99	18.78	18.76	18.77	
20	16QAM	50	0	17.85	17.70	17.71	18.8
20	16QAM	50	24	17.79	17.72	17.79	
20	16QAM	50	50	17.72	17.77	17.76	
20	16QAM	100	0	17.68	17.70	17.76	
20	64QAM	1	0	18.79	18.77	18.76	18.8
20	64QAM	1	49	18.74	18.79	18.75	
20	64QAM	1	99	18.71	18.73	18.72	



20	64QAM	50	0	17.72	17.74	17.72	17.8
20	64QAM	50	24	17.76	17.72	17.76	
20	64QAM	50	50	17.76	17.67	17.66	
20	64QAM	100	0	17.79	17.69	17.72	
Channel				20025	20175	20325	Tune-up limit (dBm)
Frequency (MHz)				1717.5	1732.5	1747.5	
15	QPSK	1	0	19.77	19.63	19.65	20.8
15	QPSK	1	37	19.59	19.51	19.62	
15	QPSK	1	74	19.50	19.62	19.63	
15	QPSK	36	0	18.73	18.64	18.68	19.8
15	QPSK	36	20	18.66	18.73	18.78	
15	QPSK	36	39	18.70	18.70	18.72	
15	QPSK	75	0	18.67	18.66	18.75	
15	16QAM	1	0	19.23	18.84	18.81	19.8
15	16QAM	1	37	18.82	19.08	19.24	
15	16QAM	1	74	19.22	18.92	18.99	
15	16QAM	36	0	17.79	17.80	17.81	18.8
15	16QAM	36	20	17.73	17.81	17.84	
15	16QAM	36	39	17.80	17.79	17.79	
15	16QAM	75	0	17.75	17.83	17.80	
15	64QAM	1	0	18.67	18.68	18.62	18.8
15	64QAM	1	37	18.75	18.74	18.70	
15	64QAM	1	74	18.51	18.60	18.54	
15	64QAM	36	0	17.61	17.63	17.64	17.8
15	64QAM	36	20	17.74	17.80	17.62	
15	64QAM	36	39	17.79	17.64	17.73	
15	64QAM	75	0	17.67	17.72	17.78	
Channel				20000	20175	20350	Tune-up limit (dBm)
Frequency (MHz)				1715	1732.5	1750	
10	QPSK	1	0	19.77	19.61	19.70	20.8
10	QPSK	1	25	19.68	19.70	19.74	
10	QPSK	1	49	19.65	19.64	19.68	
10	QPSK	25	0	18.81	18.71	18.70	19.8
10	QPSK	25	12	18.74	18.75	18.75	
10	QPSK	25	25	18.65	18.66	18.75	
10	QPSK	50	0	18.76	18.76	18.66	



10	16QAM	1	0	18.97	18.86	18.84	19.8
10	16QAM	1	25	19.20	18.83	18.97	
10	16QAM	1	49	18.87	19.20	18.97	
10	16QAM	25	0	17.78	17.79	17.79	18.8
10	16QAM	25	12	17.92	17.78	17.75	
10	16QAM	25	25	17.68	17.67	17.89	
10	16QAM	50	0	17.76	17.75	17.85	18.8
10	64QAM	1	0	18.75	18.76	18.65	
10	64QAM	1	25	18.79	18.71	18.61	
10	64QAM	1	49	18.75	18.66	18.59	17.8
10	64QAM	25	0	17.76	17.74	17.69	
10	64QAM	25	12	17.62	17.64	17.80	
10	64QAM	25	25	17.65	17.74	17.66	Tune-up limit (dBm)
10	64QAM	50	0	17.76	17.68	17.62	
Channel				19975	20175	20375	
Frequency (MHz)				1712.5	1732.5	1752.5	
5	QPSK	1	0	19.73	19.62	19.78	20.8
5	QPSK	1	12	19.78	19.74	19.68	
5	QPSK	1	24	19.57	19.68	19.72	
5	QPSK	12	0	18.79	18.64	18.82	19.8
5	QPSK	12	7	18.76	18.69	18.82	
5	QPSK	12	13	18.68	18.68	18.82	
5	QPSK	25	0	18.71	18.74	18.81	19.8
5	16QAM	1	0	19.28	19.19	18.89	
5	16QAM	1	12	19.29	19.09	18.87	
5	16QAM	1	24	19.08	18.86	18.87	18.8
5	16QAM	12	0	17.89	17.86	17.91	
5	16QAM	12	7	17.88	17.86	17.96	
5	16QAM	12	13	17.81	17.75	17.95	18.8
5	16QAM	25	0	17.87	17.86	17.94	
5	64QAM	1	0	18.69	18.62	18.69	
5	64QAM	1	12	18.64	18.65	18.69	17.8
5	64QAM	1	24	18.51	18.66	18.75	
5	64QAM	12	0	17.75	17.80	17.79	
5	64QAM	12	7	17.80	17.70	17.69	17.8
5	64QAM	12	13	17.69	17.75	17.69	
5	64QAM	25	0	17.79	17.68	17.69	



Channel				19965	20175	20385	Tune-up limit (dBm)
Frequency (MHz)				1711.5	1732.5	1753.5	
3	QPSK	1	0	19.67	19.63	19.74	20.8
3	QPSK	1	8	19.69	19.64	19.74	
3	QPSK	1	14	19.69	19.67	19.75	
3	QPSK	8	0	18.74	18.65	18.85	19.8
3	QPSK	8	4	18.75	18.70	18.85	
3	QPSK	8	7	18.76	18.66	18.79	
3	QPSK	15	0	18.74	18.64	18.82	
3	16QAM	1	0	19.02	18.87	18.94	19.8
3	16QAM	1	8	18.91	18.59	19.09	
3	16QAM	1	14	18.80	18.88	18.83	
3	16QAM	8	0	17.88	17.94	17.92	18.8
3	16QAM	8	4	17.78	17.73	17.95	
3	16QAM	8	7	17.84	17.78	17.96	
3	16QAM	15	0	17.99	17.76	18.10	
3	64QAM	1	0	18.63	18.80	18.73	18.8
3	64QAM	1	8	18.79	18.79	18.70	
3	64QAM	1	14	18.73	18.69	18.69	
3	64QAM	8	0	17.70	17.68	17.69	17.8
3	64QAM	8	4	17.76	17.58	17.60	
3	64QAM	8	7	17.75	17.73	17.59	
3	64QAM	15	0	17.58	17.59	17.70	
Channel				19957	20175	20393	Tune-up limit (dBm)
Frequency (MHz)				1710.7	1732.5	1754.3	
1.4	QPSK	1	0	19.72	19.54	19.67	20.8
1.4	QPSK	1	3	19.68	19.65	19.74	
1.4	QPSK	1	5	19.70	19.59	19.65	
1.4	QPSK	3	0	19.67	19.67	19.74	
1.4	QPSK	3	1	19.76	19.77	19.68	
1.4	QPSK	3	3	19.71	19.67	19.76	
1.4	QPSK	6	0	18.57	18.77	18.78	19.8
1.4	16QAM	1	0	19.02	18.93	19.24	19.8
1.4	16QAM	1	3	18.83	18.88	18.92	
1.4	16QAM	1	5	18.88	19.22	19.01	
1.4	16QAM	3	0	18.82	18.78	18.65	



1.4	16QAM	3	1	18.60	18.82	18.84	
1.4	16QAM	3	3	18.74	18.76	18.85	
1.4	16QAM	6	0	18.03	17.80	17.94	18.8
1.4	64QAM	1	0	18.69	18.59	18.69	18.8
1.4	64QAM	1	3	18.54	18.67	18.31	
1.4	64QAM	1	5	18.51	18.48	18.58	
1.4	64QAM	3	0	18.59	18.77	18.77	
1.4	64QAM	3	1	18.62	18.59	18.59	
1.4	64QAM	3	3	18.80	18.59	18.62	
1.4	64QAM	6	0	17.77	17.65	17.80	

Note: When the sensor is active, the power of bottom antenna will be reduced about 3dB and used for body SAR measurement.



14. LTE Carrier Aggregation

This device supports Carrier Aggregation on downlink for inter. For the device supports bands and bandwidths and configurations are provided as follow table was according to 3GPP.

E-UTRA CA configuration / Bandwidth combination set						
E-UTRA CA configuration	Downlink CA configurations (NOTE 3)	Component carriers in order of increasing carrier frequency			Maximum aggregated bandwidth [MHz]	Bandwidth combination set
		Channel bandwidths for carrier [MHz]	Channel bandwidths for carrier [MHz]	Channel bandwidths for carrier [MHz]		
CA_2C		5	20		40	0
		10	15,20			
		15	10,15,20			
		20	5,10,15,20			
		20	5,10,15,20			
CA_7C	CA_7C	15	15		40	0
		20	20			
		10	20		40	1
		15	15,20			
		20	10,15,20			
CA_38C	CA_38C	15	15		40	0
		20	20			
CA_40C	CA_40C	10	20		40	0
		15	15			
		20	10,20			
		10,15	20		40	1
		15	15			
		20	10,15,20			

E-UTRA CA configuration / Bandwidth combination set					
E-UTRA CA configuration	Downlink CA configurations	Component carriers in order of increasing carrier frequency		Maximum aggregated	Bandwidth combination



	(NOTE 3)	Channel bandwidths for carrier [MHz]	Channel bandwidths for carrier [MHz]	Channel bandwidths for carrier [MHz]	bandwidth [MHz]	set
CA_41C	CA_41C	10	20		40	0
		15	15, 20			
		20	10,15,20			
		5,10	20		40	1
		15	15, ,20			
		20	5,10,15,20			

NOTE 1: The CA configuration refers to an operating band and a CA bandwidth class specified in Table 5.6A-1 (the indexing letter). Absence of a CA bandwidth class for an operating band implies support of all classes.

NOTE 2: For the supported CC bandwidth combinations, the CC downlink and uplink bandwidths are equal.

NOTE 3: Uplink CA configurations are the configurations supported by the present release of specifications.

14.1. LTE Downlink Carrier Aggregation Conducted Power

1. According to KDB941225 D05A v01r02, Uplink maximum output power measurement with downlink carrier aggregation active should be measured, using the highest output channel measured without downlink carrier aggregation, to confirm that uplink maximum output power with downlink carrier aggregation active remains within the specified tune-up tolerance limits and not more than ¼ dB higher than the maximum output measured without downlink carrier aggregation active.
2. Uplink maximum output power with downlink carrier aggregation active does not show more than ¼ dB higher than the maximum output power without downlink carrier aggregation active, therefore SAR evaluation with downlink carrier aggregation active can be excluded.
3. For power measurement were control and acknowledge data is sent on uplink channels that operate identical to specifications when downlink carrier aggregation is inactive.
4. Selected highest measured power when downlink carrier aggregation is inactive for conducted power comparison with downlink carrier aggregation is active, to confirm that when downlink carrier aggregation is active uplink maximum output power remains within the specified tune-up tolerance limits and not more than ¼ dB higher than the maximum output power measured when downlink carrier aggregation inactive.
5. For non-contiguous intra-band CA, the SCC selected to provide maximum separation from the PCC and must remain fully within the downlink transmission band.
6. For Intra-band, contiguous CA, the downlink channels selected to perform the uplink power measurement must satisfy
7. 3GPP channel spacing (5.4.1A of 3GPP TS 36.521 or equivalent) and channel bandwidth (5.4.2A) requirements.

$$\text{Nominal channel spacing} = \left\lceil \frac{BW_{\text{Channel}(1)} + BW_{\text{Channel}(2)} - 0.1|BW_{\text{Channel}(1)} - BW_{\text{Channel}(2)}|}{0.6} \right\rceil 0.3 \text{ [MHz]}$$



➤ Full Power for 2CC power verification

PCC					SCC				Power	
Band	BW (MHz)	RB Offset	UL Ch.	UL Freq. (MHz)	BW (MHz)	RB Offset	DL Ch.	DL Freq. (MHz)	Power With DL_CA	Rel. 8 Power
intra-band CA (2CC)										
CA_2C	20	1#49	18700	1860	20	1#49	898	1959.8	22.62	22.69
CA_7C	20	1#0	20850	2510	20	1#0	3048	2649.8	19.14	22.36
CA_38C	20	1#0	37850	2580	20	1#0	38048	2599.8	22.55	22.69
CA_41C	20	1#0	40140	2545	20	1#0	40719	2602.9	22.61	22.64

➤ Reduced Power for 2CC power verification(Top Antenna for Head)

PCC					SCC				Power	
Band	BW (MHz)	RB Offset	UL Ch.	UL Freq. (MHz)	BW (MHz)	RB Offset	DL Ch.	DL Freq. (MHz)	Power With DL_CA	Rel. 8 Power
intra-band CA (2CC)										
CA_2C	20	1#49	18700	1860	20	1#49	898	1959.8	19.35	16.41
CA_7C	20	1#0	20850	2510	20	1#0	3048	2649.8	15.22	15.28
CA_38C	20	1#0	37850	2580	20	1#0	38048	2599.8	18.24	18.31
CA_41C	20	1#0	40140	2545	20	1#0	40719	2602.9	18.59	18.68

➤ Reduced Power for 2CC power verification(Top Antenna for Body)

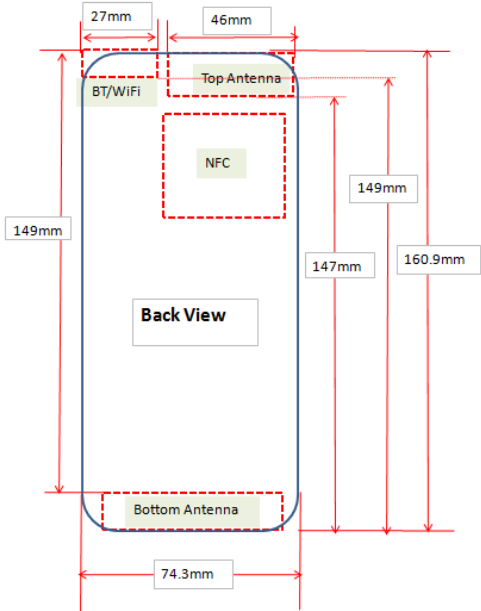
PCC					SCC				Power	
Band	BW (MHz)	RB Offset	UL Ch.	UL Freq. (MHz)	BW (MHz)	RB Offset	DL Ch.	DL Freq. (MHz)	Power With DL_CA	Rel. 8 Power
intra-band CA (2CC)										
CA_2C	20	1#49	18700	1860	20	1#49	898	1959.8	17.42	17.50
CA_38C	20	1#0	37850	2580	20	1#0	38048	2599.8	20.06	20.17
CA_41C	20	1#0	40140	2545	20	1#0	40719	2602.9	20.48	20.56

➤ Reduced Power for 2CC power verification(Bottom Antenna for Body)

PCC					SCC				Power	
Band	BW (MHz)	RB Offset	UL Ch.	UL Freq. (MHz)	BW (MHz)	RB Offset	DL Ch.	DL Freq. (MHz)	Power With DL_CA	Rel. 8 Power
intra-band CA (2CC)										
CA_2C	20	1#49	18700	1860	20	1#49	898	1959.8	18.51	18.57

15. Hot-Spot Mode Evaluation Procedure

➤ EUT Antenna Location

	WWAN antenna supported TX bands : GSM 850/1900 UMTS Band II/IV/V FDD LTE Band 2/4/5/7 TDD LTE Band 38/40A/40B/41 WLAN antenna supported bands : 2.4GHz/5GHz BT antenna supported bands: 2.4GHz
--	---

➤ EUT Antenna Distance

Antenna Location	Front	Back	Left	Right	Top	Bottom
WWAN Top Antenna (2G/3G/4G)	<5mm	<5mm	<5mm	>25mm	<5mm	147 mm
WWAN Bottom Antenna (2G/3G/4G)	<5mm	<5mm	<5mm	<5mm	149mm	<5mm
WLAN/BT Antenna	<5mm	<5mm	>25mm	<5mm	<5mm	149mm

➤ Hotspot Evaluation

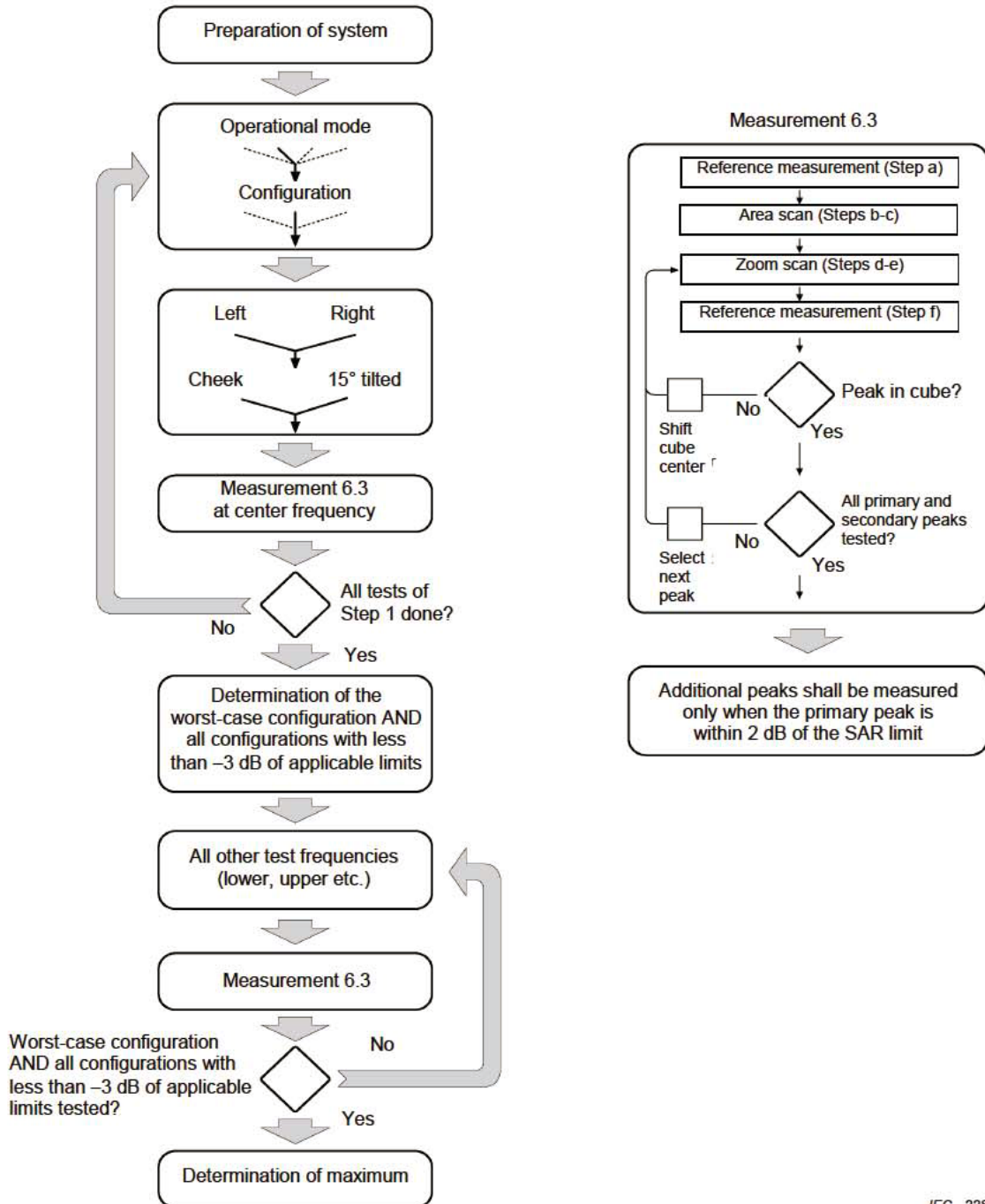
Assessment	Hotspot side for SAR Test distance: 10mm					
Antennas	Front	Back	Left	Right	Top	Bottom
WWAN Top Antenna	Yes	Yes	Yes	NO	Yes	NO
WWAN Bottom Antenna	Yes	Yes	Yes	Yes	NO	Yes
WLAN/BT Antenna	Yes	Yes	NO	Yes	Yes	NO

Note :

- The SAR evaluation procedures for Portable Devices with Wireless Router function is according to KDB 941225 D06 Hotspot SAR v02r01.
- Head/Body-worn/Hotspot mode SAR assessments are required.
- Referring to KDB 941225 D06, when the overall device length and width are $\geq 9\text{cm} \times 5\text{cm}$, the test distance is 10 mm. SAR must be measured for all sides and surfaces with a transmitting antenna located within 25mm from that surface or edge.

16. Block Diagram of the Tests to be Performed

16.1. Head



IEC 228/05

16.2. Body

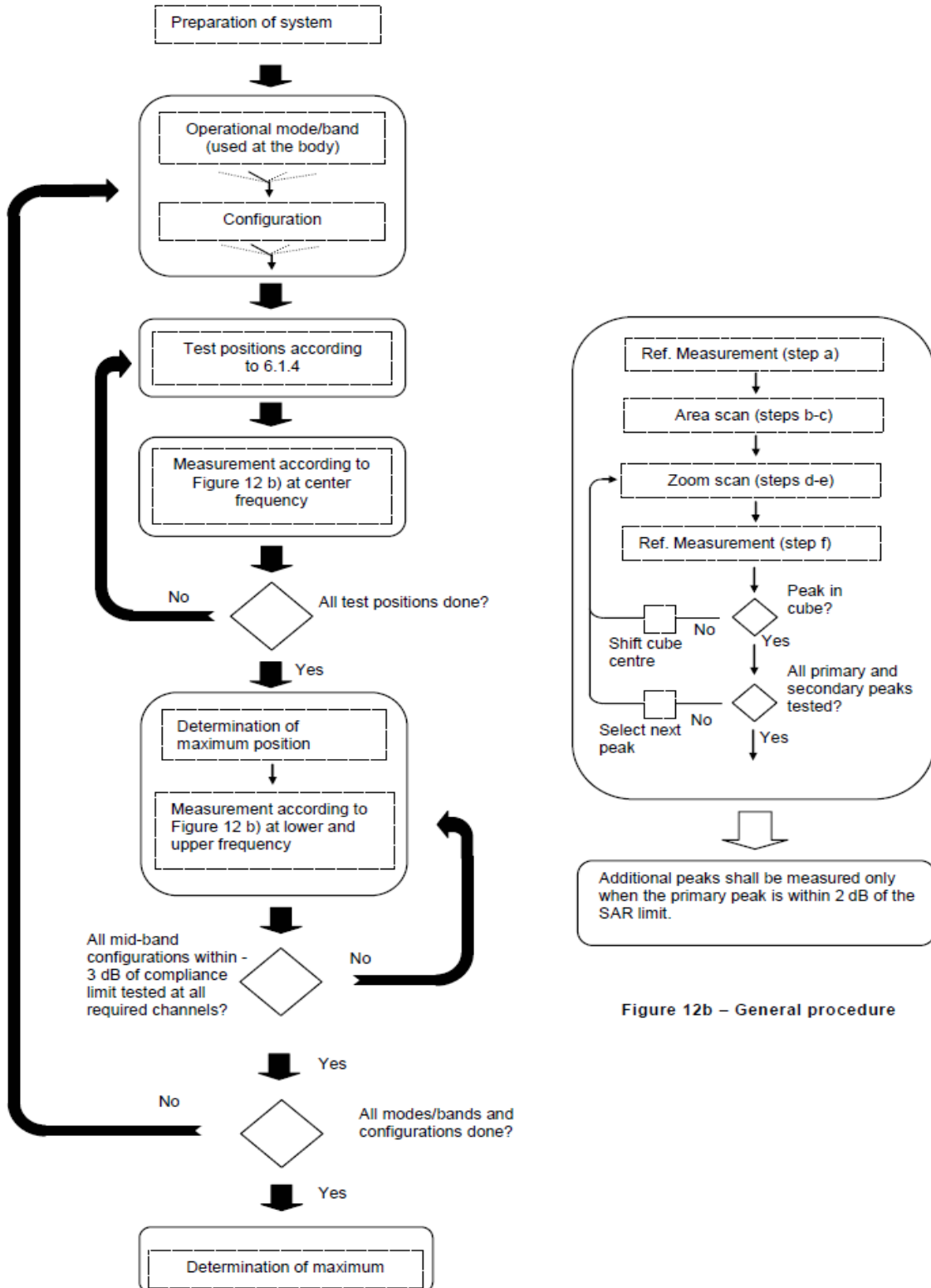


Figure 12b – General procedure

17. Test Results List

17.1. Test Guidance

1. Per KDB 447498 D01v06, the reported SAR is the measured SAR value adjusted for maximum tune-up tolerance.
 - a. Tune-up scaling Factor = tune-up limit power (mW) / EUT RF power (mW), where tune-up limit is the maximum rated power among all production units.
 - b. For SAR testing of WLAN signal with non-100% duty cycle, the measured SAR is scaled-up by the duty cycle scaling factor which is equal to "1/(duty cycle)".
 - c. For WWAN: Reported SAR(W/kg)= Measured SAR(W/kg)*Tune-up Scaling Factor.
 - d. For WLAN/Bluetooth: Reported SAR(W/kg)= Measured SAR(W/kg)* Duty Cycle scaling factor * Tune-up scaling factor.
2. Per KDB 447498 D01v06, for each exposure position, testing of other required channels within the operating mode of a frequency band is not required when the *reported* 1-g or 10-g SAR for the mid-band or highest output power channel is:
 - a. ≤ 0.8 W/kg or 2.0 W/kg, for 1-g or 10-g respectively, when the transmission band is ≤ 100 MHz
 - b. ≤ 0.6 W/kg or 1.5 W/kg, for 1-g or 10-g respectively, when the transmission band is between 100 MHz and 200 MHz
 - c. ≤ 0.4 W/kg or 1.0 W/kg, for 1-g or 10-g respectively, when the transmission band is ≥ 200 MHz
3. Per KDB 865664 D01v01r04, for each frequency band, repeated SAR measurement is required only when the measured SAR is ≥ 0.8 W/kg.
4. Per KDB 648474 D04v01r03, when the reported SAR for a body-worn accessory measured without a headset connected to the handset is ≤ 1.2 W/kg, SAR testing with a headset connected to the handset is not required.
5. Per KDB648474 D04v01r03, for smart phones with a display diagonal dimension > 15.0 cm or an overall diagonal dimension > 16.0 cm, when hotspot mode applies, 10-g extremity SAR is required only for the surfaces and edges with hotspot mode 1-g reported SAR > 1.2 W/kg, however, when power reduction applies to hotspot mode the measured SAR must be scaled



to the maximum output power, including tolerance, allowed for tablet modes to compare with the 1.2 W/kg SAR test reduction threshold.

6. Per KDB248227 D01v02r02, a Wi-Fi device must be configured to transmit continuously at the required data rate, channel bandwidth and signal modulation, using the highest transmission duty factor supported by the test mode tools for SAR measurement. The test frequencies established using test mode must correspond to the actual channel frequencies required for operations in the U.S. When 802.11 frame gaps are accounted for in the transmission, a maximum transmission duty factor of 92 - 96% is typically achievable in most test mode configurations. A minimum transmission duty factor of 85% is required to avoid certain hardware and device implementation issues related to wide range SAR scaling. In addition, a periodic transmission duty factor is required for current generation SAR systems to measure SAR correctly. Unless it is permitted by specific KDB procedures or continuous transmission is specifically restricted by the device, the reported SAR must be scaled to 100% transmission duty factor to determine compliance at the maximum tune-up tolerance limit. When a device is not capable of sustaining continuous transmission or the output can become nonlinear, and it is limited by hardware design and unable to transmit at higher than 85% duty factor, a periodic duty factor within 15% of the maximum duty factor the device is capable of transmitting should be used. The reported SAR must be scaled to the maximum transmission duty factor to determine compliance. Descriptions of the procedures applied to establish the specific duty factor used for SAR testing are required in SAR reports to support the test results.
7. The EUT respectively defined the top and bottom antenna maximum power in the software. The top and bottom antenna will switch automatically according to the receiver signal strength and maximum transmission power level. In general, the same full power is applied to the top and bottom antenna, when the receiver is off and the power reduction of top and bottom antennas will be applied to the body, when the receiver is active and closed to the ear, the power reduction of top antenna will be applied to the head.
8. For TDD-LTE Band 40, the entire band is unable to be used that as per 27.5; only 2 paried block (2305 to 2310MHz, 2350 to 2360MHz) are allowed with regards to "TDD" operation. the channel allocation, and bandwidth covert to test channels shall be re-adjusted; furthermore, as per 27.50, the duty cycle must be adjusted that TDD in this band must not exceed 38%. Before testing, the special combination must be set in the base station before the periodic measurement can be carried out.
9. There are two types of battery in this report, the type 1 for the main test battery and the type 2 will be used to verifying the worst case of top or bottom antenna at the head and body for



WWAN bands, and all of the WLAN 2.4GHz & 5GHz bands just evaluated the worst case of the device.

17.2. Head SAR Data

➤ GSM Head SAR

Plot No.	Band/Mode	Test Position	CH.	Ave. Power (dBm)	Tune-up Limit (dBm)	Tune-up Scaling Factor	Meas. SAR1g (W/kg)	Reported SAR1g (W/kg)
Top Ant.								
	GPRS 850(4 TX slots)	Right Cheek	189	26.50	27.30	1.202	0.432	0.519
	GPRS 850(4 TX slots)	Right Tilt	189	26.50	27.30	1.202	0.254	0.305
1#	GPRS 850(4 TX slots)	Left Cheek	189	26.50	27.30	1.202	0.458	0.551
	GPRS 850(4 TX slots)	Left Tilt	189	26.50	27.30	1.202	0.258	0.310
Bottom Ant.								
	GPRS 850(4 TX slots)	Right Cheek	189	26.50	27.30	1.202	0.113	0.136
	GPRS 850(4 TX slots)	Right Tilt	189	26.50	27.30	1.202	0.071	0.085
	GPRS 850(4 TX slots)	Left Cheek	189	26.50	27.30	1.202	0.080	0.096
	GPRS 850(4 TX slots)	Left Tilt	189	26.50	27.30	1.202	0.150	0.180
Battery type 2 at the worst case								
	GPRS 850(4 TX slots)	Left Cheek	189	26.50	27.30	1.202	0.439	0.528
Top Ant.								
	GPRS 1900(2 TX slots)	Right Cheek	512	20.64	21.30	1.164	0.419	0.488
2#	GPRS 1900(2 TX slots)	Right Tilt	512	20.64	21.30	1.164	0.465	0.541
	GPRS 1900(2 TX slots)	Left Cheek	512	20.64	21.30	1.164	0.270	0.314
	GPRS 1900(2 TX slots)	Left Tilt	512	20.64	21.30	1.164	0.333	0.388
Bottom Ant.								
	GPRS 1900(2 TX slots)	Right Cheek	512	27.38	28.30	1.236	0.198	0.245
	GPRS 1900(2 TX slots)	Right Tilt	512	27.38	28.30	1.236	0.156	0.193
	GPRS 1900(2 TX slots)	Left Cheek	512	27.38	28.30	1.236	0.089	0.110
	GPRS 1900(2 TX slots)	Left Tilt	512	27.38	28.30	1.236	0.072	0.088
Battery type 2 at the worst case								
	GPRS 1900(2 TX slots)	Right Tilt	512	20.64	21.30	1.164	0.444	0.517



➤ **WCDMA Head SAR**

Plot No.	Band/Mode	Test Position	CH.	Ave. Power (dBm)	Tune-up Limit (dBm)	Tune-up Scaling Factor	Meas. SAR1g (W/kg)	Reported SAR1g (W/kg)
Top Ant.								
	Band II/RMC	Right Cheek	9400	16.45	16.80	1.084	0.563	0.610
3#	Band II/RMC	Right Tilt	9400	16.45	16.80	1.084	0.666	0.722
	Band II/RMC	Left Cheek	9400	16.45	16.80	1.084	0.325	0.352
	Band II/RMC	Left Tilt	9400	16.45	16.80	1.084	0.400	0.434
Bottom Ant.								
	Band II/RMC	Right Cheek	9400	23.04	23.80	1.191	0.283	0.337
	Band II/RMC	Right Tilt	9400	23.04	23.80	1.191	0.157	0.187
	Band II/RMC	Left Cheek	9400	23.04	23.80	1.191	0.140	0.167
	Band II/RMC	Left Tilt	9400	23.04	23.80	1.191	0.098	0.116
Battery type 2 at the worst case								
	Band II/RMC	Right Tilt	9400	16.45	16.80	1.084	0.649	0.703
Top Ant.								
	Band IV/RMC	Right Cheek	1513	16.54	16.80	1.062	0.398	0.423
4#	Band IV/RMC	Right Tilt	1513	16.54	16.80	1.062	0.418	0.444
	Band IV/RMC	Left Cheek	1513	16.54	16.80	1.062	0.162	0.172
	Band IV/RMC	Left Tilt	1513	16.54	16.80	1.062	0.196	0.208
Bottom Ant.								
	Band IV/RMC	Right Cheek	1513	22.86	23.80	1.242	0.233	0.289
	Band IV/RMC	Right Tilt	1513	22.86	23.80	1.242	0.145	0.180
	Band IV/RMC	Left Cheek	1513	22.86	23.80	1.242	0.144	0.179
	Band IV/RMC	Left Tilt	1513	22.86	23.80	1.242	0.094	0.116
Battery type 2 at the worst case								
	Band IV/RMC	Right Tilt	1513	16.54	16.80	1.062	0.403	0.428
Top Ant.								
	Band V/RMC	Right Cheek	4233	23.49	24.10	1.151	0.511	0.588
	Band V/RMC	Right Tilt	4233	23.49	24.10	1.151	0.385	0.443
5#	Band V/RMC	Left Cheek	4233	23.49	24.10	1.151	0.681	0.784
	Band V/RMC	Left Tilt	4233	23.49	24.10	1.151	0.501	0.577
Bottom Ant.								
	Band V/RMC	Right Cheek	4233	23.49	24.10	1.151	0.107	0.123
	Band V/RMC	Right Tilt	4233	23.49	24.10	1.151	0.092	0.106
	Band V/RMC	Left Cheek	4233	23.49	24.10	1.151	0.183	0.211
	Band V/RMC	Left Tilt	4233	23.49	24.10	1.151	0.091	0.104



Battery type 2 at the worst case								
	Band V/RMC	Left Cheek	4233	23.49	24.10	1.151	0.666	0.766

➤ **LTE QPSK Head SAR**

Plot No.	Band/Mode	Test Position	CH.	Ave. Power (dBm)	Tune-up Limit (dBm)	Tune-up Scaling Factor	Meas. SAR1g (W/kg)	Reported SAR1g (W/kg)
Top Ant.								
	LTE Band 2/1RB#49 20M	Right Cheek	18700	16.41	16.80	1.094	0.618	0.676
6#	LTE Band 2/1RB#49 20M	Right Tilt	18700	16.41	16.80	1.094	0.767	0.839
	LTE Band 2/1RB#49 20M	Left Cheek	18700	16.41	16.80	1.094	0.501	0.548
	LTE Band 2/1RB#49 20M	Left Tilt	18700	16.41	16.80	1.094	0.700	0.766
	LTE Band 2/1RB#49 20M	Right Tilt	18900	16.05	16.80	1.189	0.537	0.638
	LTE Band 2/1RB#49 20M	Right Tilt	19100	16.09	16.80	1.178	0.431	0.508
	LTE Band 2/ 100RB#0 20M	Right Tilt	18700	15.26	15.80	1.132	0.486	0.550
Bottom Ant.								
	LTE Band 2/50RB#24 20M	Right Cheek	18700	15.35	15.80	1.109	0.665	0.738
	LTE Band 2/50RB#24 20M	Right Tilt	18700	15.35	15.80	1.109	0.514	0.570
	LTE Band 2/50RB#24 20M	Left Cheek	18700	15.35	15.80	1.109	0.384	0.426
	LTE Band 2/50RB#24 20M	Left Tilt	18700	15.35	15.80	1.109	0.311	0.345
Battery type 2 at the worst case								
	LTE Band 2/1RB#49 20M	Right Tilt	18700	16.41	16.80	1.094	0.758	0.829
Top Ant.								
	LTE Band 4/1RB#99 20M	Right Cheek	20300	16.29	16.80	1.125	0.336	0.378
7#	LTE Band 4/1RB#99 20M	Right Tilt	20300	16.29	16.80	1.125	0.493	0.554
	LTE Band 4/1RB#99 20M	Left Cheek	20300	16.29	16.80	1.125	0.159	0.179
	LTE Band 4/1RB#99 20M	Left Tilt	20300	16.29	16.80	1.125	0.176	0.198



Plot No.	Band/Mode	Test Position	CH.	Ave. Power (dBm)	Tune-up Limit (dBm)	Tune-up Scaling Factor	Meas. SAR1g (W/kg)	Reported SAR1g (W/kg)
	LTE Band 4/1RB#99 20M	Right Cheek	20300	15.29	15.80	1.125	0.438	0.493
	LTE Band 4/1RB#99 20M	Right Tilt	20300	15.29	15.80	1.125	0.477	0.536
	LTE Band 4/1RB#99 20M	Left Cheek	20300	15.29	15.80	1.125	0.119	0.134
	LTE Band 4/1RB#99 20M	Left Tilt	20300	15.29	15.80	1.125	0.161	0.181
Bottom Ant.								
	LTE Band 4/1RB#99 20M	Right Cheek	20300	22.36	23.80	1.393	0.101	0.141
	LTE Band 4/1RB#99 20M	Right Tilt	20300	22.36	23.80	1.393	0.095	0.132
	LTE Band 4/1RB#99 20M	Left Cheek	20300	22.36	23.80	1.393	0.149	0.208
	LTE Band 4/1RB#99 20M	Left Tilt	20300	22.36	23.80	1.393	0.100	0.139
	LTE Band 4/50RB#0 20M	Right Cheek	20300	21.36	22.80	1.393	0.132	0.184
	LTE Band 4/50RB#0 20M	Right Tilt	20300	21.36	22.80	1.393	0.088	0.123
	LTE Band 4/50RB#0 20M	Left Cheek	20300	21.36	22.80	1.393	0.128	0.178
	LTE Band 4/50RB#0 20M	Left Tilt	20300	21.36	22.80	1.393	0.074	0.103
Battery type 2 at the worst case								
	LTE Band 4/1RB#99 20M	Right Tilt	20300	16.29	16.80	1.125	0.481	0.541
Top Ant.								
	LTE Band 5/1RB#0 10M	Right Cheek	20450	23.03	24.10	1.279	0.212	0.271
	LTE Band 5/1RB#0 10M	Right Tilt	20450	23.03	24.10	1.279	0.167	0.214
8#	LTE Band 5/1RB#0 10M	Left Cheek	20450	23.03	24.10	1.279	0.295	0.377
	LTE Band 5/1RB#0 10M	Left Tilt	20450	23.03	24.10	1.279	0.240	0.307
	LTE Band 5/25RB#12 10M	Right Cheek	20450	22.00	23.10	1.288	0.282	0.363
	LTE Band 5/25RB#12 10M	Right Tilt	20450	22.00	23.10	1.288	0.223	0.287
	LTE Band 5/25RB#12 10M	Left Cheek	20450	22.00	23.10	1.288	0.265	0.341
	LTE Band 5/25RB#12 10M	Left Tilt	20450	22.00	23.10	1.288	0.214	0.276
Top Ant.								
	LTE Band 5/1RB#0 10M	Right Cheek	20450	23.03	24.10	1.279	0.145	0.186
	LTE Band 5/1RB#0 10M	Right Tilt	20450	23.03	24.10	1.279	0.079	0.101
	LTE Band 5/1RB#0 10M	Left Cheek	20450	23.03	24.10	1.279	0.168	0.215
	LTE Band 5/1RB#0 10M	Left Tilt	20450	23.03	24.10	1.279	0.086	0.109



Plot No.	Band/Mode	Test Position	CH.	Ave. Power (dBm)	Tune-up Limit (dBm)	Tune-up Scaling Factor	Meas. SAR1g (W/kg)	Reported SAR1g (W/kg)
	LTE Band 5/25RB#12 10M	Right Cheek	20450	22.00	23.10	1.288	0.106	0.137
	LTE Band 5/25RB#12 10M	Right Tilt	20450	22.00	23.10	1.288	0.065	0.084
	LTE Band 5/25RB#12 10M	Left Cheek	20450	22.00	23.10	1.288	0.138	0.178
	LTE Band 5/25RB#12 10M	Left Tilt	20450	22.00	23.10	1.288	0.070	0.091
Battery type 2 at the worst case								
	LTE Band 5/1RB#0 10M	Left Cheek	20450	23.03	24.10	1.279	0.287	0.367
Top Ant.								
	LTE Band 7/1RB#0 20M	Right Cheek	20850	15.28	16.30	1.265	0.377	0.477
	LTE Band 7/1RB#0 20M	Right Tilt	20850	15.28	16.30	1.265	0.426	0.539
	LTE Band 7/1RB#0 20M	Left Cheek	20850	15.28	16.30	1.265	0.292	0.369
	LTE Band 7/1RB#0 20M	Left Tilt	20850	15.28	16.30	1.265	0.332	0.420
	LTE Band 7/50RB#24 20M	Right Cheek	20850	14.22	15.30	1.282	0.377	0.483
9#	LTE Band 7/50RB#24 20M	Right Tilt	20850	14.22	15.30	1.282	0.452	0.580
	LTE Band 7/50RB#24 20M	Left Cheek	20850	14.22	15.30	1.282	0.291	0.373
	LTE Band 7/50RB#24 20M	Left Tilt	20850	14.22	15.30	1.282	0.349	0.448
Bottom Ant.								
	LTE Band 7/1RB#0 20M	Right Cheek	20850	22.36	23.30	1.242	0.291	0.361
	LTE Band 7/1RB#0 20M	Right Tilt	20850	22.36	23.30	1.242	0.207	0.257
	LTE Band 7/1RB#0 20M	Left Cheek	20850	22.36	23.30	1.242	0.141	0.175
	LTE Band 7/1RB#0 20M	Left Tilt	20850	22.36	23.30	1.242	0.103	0.128
	LTE Band 7/50RB#24 20M	Right Cheek	20850	21.30	22.30	1.259	0.198	0.249
	LTE Band 7/50RB#24 20M	Right Tilt	20850	21.30	22.30	1.259	0.117	0.147
	LTE Band 7/50RB#24 20M	Left Cheek	20850	21.30	22.30	1.259	0.115	0.145
	LTE Band 7/50RB#24 20M	Left Tilt	20850	21.30	22.30	1.259	0.085	0.107
Battery type 2 at the worst case								
	LTE Band 7/50RB#24 20M	Right Tilt	20850	14.22	15.30	1.282	0.439	0.563
Top Ant.								
	LTE Band 38/1RB#0 20M	Right Cheek	37850	18.31	18.80	1.119	0.348	0.392
10#	LTE Band 38/1RB#0 20M	Right Tilt	37850	18.31	18.80	1.119	0.394	0.444
	LTE Band 38/1RB#0 20M	Left Cheek	37850	18.31	18.80	1.119	0.263	0.296
	LTE Band 38/1RB#0 20M	Left Tilt	37850	18.31	18.80	1.119	0.329	0.371



Plot No.	Band/Mode	Test Position	CH.	Ave. Power (dBm)	Tune-up Limit (dBm)	Tune-up Scaling Factor	Meas. SAR1g (W/kg)	Reported SAR1g (W/kg)
	LTE Band 38/50RB#0 20M	Right Cheek	37850	17.33	17.80	1.114	0.202	0.226
	LTE Band 38/50RB#0 20M	Right Tilt	37850	17.53	17.80	1.064	0.227	0.243
	LTE Band 38/50RB#0 20M	Left Cheek	37850	17.53	17.80	1.064	0.270	0.289
	LTE Band 38/50RB#0 20M	Left Tilt	37850	17.53	17.80	1.064	0.332	0.355
Bottom Ant.								
	LTE Band 38/1RB#0 20M	Right Cheek	37850	22.69	23.80	1.291	0.118	0.153
	LTE Band 38/1RB#0 20M	Right Tilt	37850	22.69	23.80	1.291	0.091	0.118
	LTE Band 38/1RB#0 20M	Left Cheek	37850	22.69	23.80	1.291	0.053	0.068
	LTE Band 38/1RB#0 20M	Left Tilt	37850	22.69	23.80	1.291	0.044	0.057
	LTE Band 38/50RB#0 20M	Right Cheek	37850	21.91	22.80	1.227	0.085	0.105
	LTE Band 38/50RB#0 20M	Right Tilt	37850	21.91	22.80	1.227	0.068	0.084
	LTE Band 38/50RB#0 20M	Left Cheek	37850	21.91	22.80	1.227	0.045	0.056
	LTE Band 38/50RB#0 20M	Left Tilt	37850	21.91	22.80	1.227	0.035	0.043
Battery type 2 at the worst case								
	LTE Band 38/1RB#0 20M	Right Tilt	37850	18.31	18.80	1.119	0.389	0.438
Top Ant.								
	LTE Band 40A/1RB#0 10M	Right Cheek	38750	18.27	18.80	1.130	0.357	0.406
11#	LTE Band 40A/1RB#0 10M	Right Tilt	38750	18.27	18.80	1.130	0.425	0.483
	LTE Band 40A/1RB#0 10M	Left Cheek	38750	18.27	18.80	1.130	0.257	0.292
	LTE Band 40A/1RB#0 10M	Left Tilt	38750	18.27	18.80	1.130	0.288	0.327
	LTE Band 40A/25RB#12 10M	Right Cheek	38750	17.41	17.80	1.094	0.249	0.274
	LTE Band 40A/25RB#12 10M	Right Tilt	38750	17.41	17.80	1.094	0.268	0.295
	LTE Band 40A/25RB#12 10M	Left Cheek	38750	17.41	17.80	1.094	0.264	0.291
	LTE Band 40A/25RB#12 10M	Left Tilt	38750	17.41	17.80	1.094	0.292	0.321
Bottom Ant.								
	LTE Band 40A/1RB#0 10M	Right Cheek	38750	22.57	23.80	1.327	0.153	0.204
	LTE Band 40A/1RB#0 10M	Right Tilt	38750	22.57	23.80	1.327	0.142	0.190
	LTE Band 40A/1RB#0 10M	Left Cheek	38750	22.57	23.80	1.327	0.067	0.089
	LTE Band 40A/1RB#0 10M	Left Tilt	38750	22.57	23.80	1.327	0.043	0.058



Plot No.	Band/Mode	Test Position	CH.	Ave. Power (dBm)	Tune-up Limit (dBm)	Tune-up Scaling Factor	Meas. SAR1g (W/kg)	Reported SAR1g (W/kg)
	LTE Band 40A/25RB#12 10M	Right Cheek	38750	21.71	22.80	1.285	0.148	0.191
	LTE Band 40A/25RB#12 10M	Right Tilt	38750	21.71	22.80	1.285	0.093	0.120
	LTE Band 40A/25RB#12 10M	Left Cheek	38750	21.71	22.80	1.285	0.054	0.069
	LTE Band 40A/25RB#12 10M	Left Tilt	38750	21.71	22.80	1.285	0.036	0.047
Battery type 2 at the worst case								
	LTE Band 40A/1RB#0 10M	Right Tilt	38750	18.27	18.80	1.130	0.417	0.474
Top Ant.								
	LTE Band 40B/1RB#0 10M	Right Cheek	39200	18.42	18.80	1.091	0.344	0.378
12#	LTE Band 40B/1RB#0 10M	Right Tilt	39200	18.42	18.80	1.091	0.404	0.444
	LTE Band 40B/1RB#0 10M	Left Cheek	39200	18.42	18.80	1.091	0.233	0.256
	LTE Band 40B/1RB#0 10M	Left Tilt	39200	18.42	18.80	1.091	0.276	0.303
Bottom Ant.								
	LTE Band 40B/25RB#0 10M	Right Cheek	39200	17.46	17.80	1.081	0.268	0.292
	LTE Band 40B/25RB#0 10M	Right Tilt	39200	17.46	17.80	1.081	0.259	0.282
	LTE Band 40B/25RB#0 10M	Left Cheek	39200	17.46	17.80	1.081	0.235	0.256
	LTE Band 40B/25RB#0 10M	Left Tilt	39200	17.46	17.80	1.081	0.280	0.305
Bottom Ant.								
	LTE Band 40B/1RB#0 10M	Right Cheek	39200	22.55	23.80	1.334	0.158	0.212
	LTE Band 40B/1RB#0 10M	Right Tilt	39200	22.55	23.80	1.334	0.128	0.172
	LTE Band 40B/1RB#0 10M	Left Cheek	39200	22.55	23.80	1.334	0.049	0.065
	LTE Band 40B/1RB#0 10M	Left Tilt	39200	22.55	23.80	1.334	0.031	0.041
Bottom Ant.								
	LTE Band 40B/25RB#0 10M	Right Cheek	39200	21.59	22.80	1.321	0.100	0.133
	LTE Band 40B/25RB#0 10M	Right Tilt	39200	21.59	22.80	1.321	0.095	0.126
	LTE Band 40B/25RB#0 10M	Left Cheek	39200	21.59	22.80	1.321	0.036	0.047
	LTE Band 40B/25RB#0 10M	Left Tilt	39200	21.59	22.80	1.321	0.025	0.034
Battery type 2 at the worst case								
	LTE Band 40B/1RB#0 10M	Right Tilt	39200	18.42	18.80	1.091	0.396	0.435



Plot No.	Band/Mode	Test Position	CH.	Ave. Power (dBm)	Tune-up Limit (dBm)	Tune-up Scaling Factor	Meas. SAR1g (W/kg)	Reported SAR1g (W/kg)
	LTE Band 41/1RB#0 20M	Right Cheek	40140	18.68	19.80	1.294	0.329	0.428
	LTE Band 41/1RB#0 20M	Right Tilt	40140	18.68	19.80	1.294	0.364	0.474
	LTE Band 41/1RB#0 20M	Left Cheek	40140	18.68	19.80	1.294	0.249	0.324
	LTE Band 41/1RB#0 20M	Left Tilt	40140	18.68	19.80	1.294	0.292	0.380
Bottom Ant.								
	LTE Band 41/50RB#0 20M	Right Cheek	40140	17.87	18.80	1.239	0.607	0.756
13#	LTE Band 41/50RB#0 20M	Right Tilt	40140	17.87	18.80	1.239	0.649	0.809
	LTE Band 41/50RB#0 20M	Left Cheek	40140	17.87	18.80	1.239	0.254	0.317
	LTE Band 41/50RB#0 20M	Left Tilt	40140	17.87	18.80	1.239	0.304	0.379
Battery type 2 at the worst case								
	LTE Band 41/1RB#0 20M	Right Cheek	40140	22.64	23.80	1.306	0.127	0.167
	LTE Band 41/1RB#0 20M	Right Tilt	40140	22.64	23.80	1.306	0.109	0.143
	LTE Band 41/1RB#0 20M	Left Cheek	40140	22.64	23.80	1.306	0.063	0.083
	LTE Band 41/1RB#0 20M	Left Tilt	40140	22.64	23.80	1.306	0.048	0.062
	LTE Band 41/50RB#0 20M	Right Cheek	40140	21.83	22.80	1.250	0.174	0.219
	LTE Band 41/50RB#0 20M	Right Tilt	40140	21.83	22.80	1.250	0.071	0.089
	LTE Band 41/50RB#0 20M	Left Cheek	40140	21.83	22.80	1.250	0.048	0.060
	LTE Band 41/50RB#0 20M	Left Tilt	40140	21.83	22.80	1.250	0.038	0.047
	LTE Band 41/50RB#0 20M	Right Tilt	40140	17.87	18.80	1.239	0.628	0.783



➤ **WLAN Head SAR**

Plot No.	Band/Mode	Test Position	CH.	Ave. Power (dBm)	Tune-up Limit (dBm)	Tune-up Scaling Factor	Meas. SAR1g (W/kg)	Reported SAR1g (W/kg)
	WLAN2.4GHz/802.11b	Right Cheek	6	14.07	16.00	1.560	0.278	0.434
	WLAN2.4GHz/802.11b	Right Tilt	6	14.07	16.00	1.560	0.208	0.324
14#	WLAN2.4GHz/802.11b	Left Cheek	6	14.07	16.00	1.560	0.376	0.586
	WLAN2.4GHz/802.11b	Left Tilt	6	14.07	16.00	1.560	0.245	0.382
Battery type 2 at the worst case								
	WLAN2.4GHz/802.11b	Left Cheek	6	14.07	16.00	1.560	0.348	0.543
	WLAN5.2GHz/802.11n40	Right Cheek	46	5230	12.96	14.5	0.262	0.389
	WLAN5.2GHz/802.11n40	Right Tilt	46	5230	12.96	14.5	0.284	0.422
	WLAN5.2GHz/802.11n40	Left Cheek	46	5230	12.96	14.5	0.271	0.403
15#	WLAN5.2GHz/802.11n40	Left Tilt	46	5230	12.96	14.5	0.303	0.450
	WLAN5.3GHz/802.11n40	Right Cheek	62	13.37	15.00	1.455	0.206	0.312
	WLAN5.3GHz/802.11n40	Right Tilt	62	13.37	15.00	1.455	0.257	0.390
	WLAN5.3GHz/802.11n40	Left Cheek	62	13.37	15.00	1.455	0.329	0.499
16#	WLAN5.3GHz/802.11n40	Left Tilt	62	13.37	15.00	1.455	0.374	0.567
	WLAN5.5GHz/802.11n40	Right Cheek	102	12.93	14.50	1.435	0.209	0.313
	WLAN5.5GHz/802.11n40	Right Tilt	102	12.93	14.50	1.435	0.256	0.383
	WLAN5.5GHz/802.11n40	Left Cheek	102	12.93	14.50	1.435	0.211	0.316
17#	WLAN5.5GHz/802.11n40	Left Tilt	102	12.93	14.50	1.435	0.282	0.422
	WLAN5.8GHz/802.11n40	Right Cheek	159	12.43	14.00	1.435	0.321	0.480
	WLAN5.8GHz/802.11n40	Right Tilt	159	12.43	14.00	1.435	0.365	0.546
	WLAN5.8GHz/802.11n40	Left Cheek	159	12.43	14.00	1.435	0.331	0.495
18#	WLAN5.8GHz/802.11n40	Left Tilt	159	12.43	14.00	1.435	0.373	0.558
Battery type 2 at the worst case								
	WLAN5.3GHz/802.11n40	Left Tilt	62	13.37	15.00	1.455	0.349	0.529

Note:

1. Per KDB 447498 D01v06, for each exposure position, if the highest output power channel Reported SAR $\leq 0.8W/kg$, other channels SAR testing is not necessary.
2. Per KDB 865664 D01v01r04, for each frequency band, repeated SAR measurement is required when the measured SAR is $\geq 0.8W/kg$.
3. Per KDB 941225 D05v02r05, 100% RB allocation SAR measurement is not required when the highest



reported SAR for 1 RB and 50% RB allocation are ≤ 0.8 W/kg.

4. Per KDB 248227 D01v02r02, for 802.11b DSSS , when the reported SAR of the highest measured maximum output power channel for the exposure configuration is ≤ 0.8 W/kg, no further SAR testing is required in that exposure configuration.
5. Per KDB 248227 D01v02r02, OFDM SAR is not required when the highest reported SAR for DSSS is adjusted by the ratio of OFDM to DSSS specified maximum output power and the adjusted SAR is ≤ 1.2 W/kg.
6. According to KDB 865664 D02v01r02, SAR plot is required for the highest measured SAR in each exposure configuration, wireless mode and frequency band combination.
7. The WLAN Reported 1g SAR (W/kg) has been calculated together with the duty cycle scaling factor 1.0 for 2.4G WLAN and 1.042 for 5G WLAN.



17.3. Body-worn SAR Data

➤ **GSM Body-worn SAR**

Plot No.	Band/Mode	Test Position	CH.	Ave. Power (dBm)	Tune-up Limit (dBm)	Tune-up Scaling Factor	Meas. SAR1g (W/kg)	Reported SAR1g (W/kg)
Top Ant.								
	GPRS 850(4 TX slots)	Front Side	189	26.50	27.30	1.202	0.040	0.048
	GPRS 850(4 TX slots)	Back Side	189	26.50	27.30	1.202	0.101	0.121
Bottom Ant.								
	GPRS 850(4 TX slots)	Front Side	189	26.50	27.30	1.202	0.150	0.180
19#	GPRS 850(4 TX slots)	Back Side	189	26.50	27.30	1.202	0.240	0.289
Battery type 2 at the worst case								
	GPRS 850(4 TX slots)	Back Side	189	26.50	27.30	1.202	0.189	0.227
Top Ant.								
	GPRS1900(2 TX slots)	Front Side	512	23.38	24.30	1.236	0.179	0.221
20#	GPRS1900(2 TX slots)	Back Side	512	23.38	24.30	1.236	0.327	0.404
Bottom Ant.								
	GPRS1900(2 TX slots)	Front Side	512	24.38	25.30	1.236	0.087	0.107
	GPRS1900(2 TX slots)	Back Side	512	24.38	25.30	1.236	0.184	0.227
Battery type 2 at the worst case								
	GPRS1900(2 TX slots)	Back Side	512	23.38	24.30	1.236	0.316	0.391

➤ **WCDMA Body-worn SAR**

Plot No.	Band/Mode	Test Position	CH.	Ave. Power (dBm)	Tune-up Limit (dBm)	Tune-up Scaling Factor	Meas. SAR1g (W/kg)	Reported SAR1g (W/kg)
Top Ant.								
	Band II/RMC	Front Side	9400	16.45	16.80	1.084	0.259	0.281
21#	Band II/RMC	Back Side	9400	16.45	16.80	1.084	0.480	0.520
Bottom Ant.								
	Band II/RMC	Front Side	9400	16.45	16.80	1.084	0.204	0.221
	Band II/RMC	Back Side	9400	16.45	16.80	1.084	0.374	0.405
Battery type 2 at the worst case								
	Band II/RMC	Back Side	9400	16.45	16.80	1.084	0.471	0.511



Plot No.	Band/Mode	Test Position	CH.	Ave. Power (dBm)	Tune-up Limit (dBm)	Tune-up Scaling Factor	Meas. SAR1g (W/kg)	Reported SAR1g (W/kg)
Top Ant.								
	Band IV/RMC	Front Side	1513	16.54	16.80	1.062	0.246	0.261
	Band IV/RMC	Back Side	1513	16.54	16.80	1.062	0.281	0.298
Bottom Ant.								
	Band IV/RMC	Front Side	1513	19.93	20.80	1.222	0.236	0.288
22#	Band IV/RMC	Back Side	1513	19.93	20.80	1.222	0.424	0.518
Battery type 2 at the worst case								
	Band IV/RMC	Back Side	1513	19.93	20.80	1.222	0.424	0.511
Top Ant.								
	Band V/RMC	Front Side	4233	23.49	24.10	1.151	0.102	0.117
	Band V/RMC	Back Side	4233	23.49	24.10	1.151	0.142	0.163
Bottom Ant.								
	Band V/RMC	Front Side	4233	23.49	24.10	1.151	0.241	0.277
23#	Band V/RMC	Back Side	4233	23.49	24.10	1.151	0.384	0.442
Battery type 2 at the worst case								
	Band V/RMC	Back Side	4233	23.49	24.10	1.151	0.378	0.435

➤ **LTE QPSK Body-worn SAR**

Plot No.	Band/Mode	Test Position	CH.	Ave. Power (dBm)	Tune-up Limit (dBm)	Tune-up Scaling Factor	Meas. SAR1g (W/kg)	Reported SAR1g (W/kg)
Top Ant.								
	LTE Band 2/1RB#49 20M	Front Side	18700	17.50	17.80	1.072	0.172	0.184
	LTE Band 2/1RB#49 20M	Back Side	18700	17.50	17.80	1.072	0.288	0.309
	LTE Band 2/50RB#24 20M	Front Side	18700	16.44	16.80	1.086	0.186	0.202
24#	LTE Band 2/50RB#24 20M	Back Side	18700	16.44	16.80	1.086	0.347	0.377
Bottom Ant.								
	LTE Band 2/1RB#49 20M	Front Side	18700	18.57	19.80	1.327	0.148	0.196
	LTE Band 2/1RB#49 20M	Back Side	18700	18.57	19.80	1.327	0.239	0.317
	LTE Band 2/50RB#24 20M	Front Side	18700	17.51	18.80	1.346	0.148	0.199
	LTE Band 2/50RB#24 20M	Back Side	18700	17.51	18.80	1.346	0.242	0.326
Battery type 2 at the worst case								
	LTE Band 2/50RB#24 20M	Back Side	18700	16.44	16.80	1.086	0.333	0.362



Plot No.	Band/Mode	Test Position	CH.	Ave. Power (dBm)	Tune-up Limit (dBm)	Tune-up Scaling Factor	Meas. SAR1g (W/kg)	Reported SAR1g (W/kg)
Top Ant.								
	LTE Band 4/1RB#99 20M	Front Side	20300	16.29	16.80	1.125	0.185	0.208
	LTE Band 4/1RB#99 20M	Back Side	20300	16.29	16.80	1.125	0.198	0.223
Bottom Ant.								
	LTE Band 4/50RB#0 20M	Front Side	20300	15.29	15.80	1.125	0.142	0.160
	LTE Band 4/50RB#0 20M	Back Side	20300	15.29	15.80	1.125	0.189	0.213
Bottom Ant.								
	LTE Band 4/1RB#99 20M	Front Side	20300	19.85	20.80	1.245	0.237	0.295
	LTE Band 4/1RB#99 20M	Back Side	20300	19.85	20.80	1.245	0.365	0.454
	LTE Band 4/50RB#0 20M	Front Side	20300	18.75	19.80	1.274	0.252	0.321
25#	LTE Band 4/50RB#0 20M	Back Side	20300	18.75	19.80	1.274	0.383	0.488
Battery type 2 at the worst case								
	LTE Band 4/50RB#0 20M	Back Side	20300	18.75	19.80	1.274	0.379	0.483
Top Ant.								
	LTE Band 5/1RB#0 10M	Front Side	20450	23.03	24.10	1.279	0.134	0.171
	LTE Band 5/1RB#0 10M	Back Side	20450	23.03	24.10	1.279	0.048	0.062
Bottom Ant.								
	LTE Band 5/25RB#12 10M	Front Side	20450	22.00	23.10	1.288	0.115	0.148
	LTE Band 5/25RB#12 10M	Back Side	20450	22.00	23.10	1.288	0.086	0.111
Bottom Ant.								
	LTE Band 5/1RB#0 10M	Front Side	20450	23.03	24.10	1.279	0.178	0.228
26#	LTE Band 5/1RB#0 10M	Back Side	20450	23.03	24.10	1.279	0.258	0.330
Bottom Ant.								
	LTE Band 5/25RB#12 10M	Front Side	20450	22.00	23.10	1.288	0.156	0.201
	LTE Band 5/25RB#12 10M	Back Side	20450	22.00	23.10	1.288	0.229	0.295
Battery type 2 at the worst case								
	LTE Band 5/1RB#0 10M	Back Side	20450	23.03	24.10	1.279	0.244	0.312



Plot No.	Band/Mode	Test Position	CH.	Ave. Power (dBm)	Tune-up Limit (dBm)	Tune-up Scaling Factor	Meas. SAR1g (W/kg)	Reported SAR1g (W/kg)
Top Ant.								
	LTE Band 7/1RB#0 20M	Front Side	20850	16.84	17.30	1.112	0.102	0.113
	LTE Band 7/1RB#0 20M	Back Side	20850	16.84	17.30	1.112	0.199	0.221
Bottom Ant.								
	LTE Band 7/50RB#24 20M	Front Side	20850	15.75	16.30	1.135	0.113	0.128
	LTE Band 7/50RB#24 20M	Back Side	20850	15.75	16.30	1.135	0.263	0.299
Bottom Ant.								
	LTE Band 7/1RB#0 20M	Front Side	20850	22.36	23.30	1.242	0.453	0.562
	LTE Band 7/1RB#0 20M	Back Side	20850	22.36	23.30	1.242	0.729	0.905
	LTE Band 7/1RB#0 20M	Back Side	21100	22.19	23.30	1.291	0.805	1.039
27#	LTE Band 7/1RB#0 20M	Back Side	21350	21.97	23.30	1.358	0.805	1.093
	LTE Band 7/ 100RB#0 20M	Back Side	20850	21.22	22.30	1.282	0.737	0.945
Battery type 2 at the worst case								
	LTE Band 7/1RB#0 20M	Back Side	21350	21.97	23.30	1.358	0.787	1.016
Top Ant.								
	LTE Band 38/1RB#0 20M	Front Side	37850	20.17	20.80	1.156	0.129	0.150
	LTE Band 38/1RB#0 20M	Back Side	37850	20.17	20.80	1.156	0.261	0.304
Bottom Ant.								
	LTE Band 38/50RB#0 20M	Front Side	37850	19.39	19.80	1.099	0.127	0.140
	LTE Band 38/50RB#0 20M	Back Side	37850	19.39	19.80	1.099	0.238	0.263
Bottom Ant.								
	LTE Band 38/1RB#0 20M	Front Side	37850	22.69	23.80	1.291	0.182	0.236
28#	LTE Band 38/1RB#0 20M	Back Side	37850	22.69	23.80	1.291	0.311	0.404
Battery type 2 at the worst case								
	LTE Band 38/50RB#0 20M	Front Side	37850	21.91	22.80	1.227	0.149	0.184
	LTE Band 38/50RB#0 20M	Back Side	37850	21.91	22.80	1.227	0.231	0.285
Battery type 2 at the worst case								
	LTE Band 38/1RB#0 20M	Back Side	37850	22.69	23.80	1.291	0.302	0.392



Plot No.	Band/Mode	Test Position	CH.	Ave. Power (dBm)	Tune-up Limit (dBm)	Tune-up Scaling Factor	Meas. SAR1g (W/kg)	Reported SAR1g (W/kg)
Top Ant.								
	LTE Band 40A/1RB#0 10M	Front Side	38750	20.24	20.80	1.138	0.113	0.129
	LTE Band 40A/1RB#0 10M	Back Side	38750	20.24	20.80	1.138	0.209	0.239
	LTE Band 40A/25RB#12 10M	Front Side	38750	19.38	19.80	1.102	0.121	0.134
29#	LTE Band 40A/25RB#12 10M	Back Side	38750	19.38	19.80	1.102	0.292	0.324
Bottom Ant.								
	LTE Band 40A/1RB#0 10M	Front Side	38750	22.57	23.80	1.327	0.169	0.225
	LTE Band 40A/1RB#0 10M	Back Side	38750	22.57	23.80	1.327	0.205	0.274
	LTE Band 40A/25RB#12 10M	Front Side	38750	21.71	22.80	1.285	0.151	0.195
	LTE Band 40A/25RB#12 10M	Back Side	38750	21.71	22.80	1.285	0.178	0.230
Battery type 2 at the worst case								
	LTE Band 40A/25RB#12 10M	Back Side	38750	19.38	19.80	1.102	0.287	0.318
Top Ant.								
	LTE Band 40B/1RB#0 10M	Front Side	39200	20.33	20.80	1.114	0.109	0.122
	LTE Band 40B/1RB#0 10M	Back Side	39200	20.33	20.80	1.114	0.189	0.212
	LTE Band 40B/25RB#0 10M	Front Side	39200	19.37	19.80	1.104	0.112	0.124
30#	LTE Band 40B/25RB#0 10M	Back Side	39200	19.37	19.80	1.104	0.269	0.299
Bottom Ant.								
	LTE Band 40B/1RB#0 10M	Front Side	39200	22.55	23.80	1.334	0.197	0.264
	LTE Band 40B/1RB#0 10M	Back Side	39200	22.55	23.80	1.334	0.183	0.245
	LTE Band 40B/25RB#0 10M	Front Side	39200	21.59	22.80	1.321	0.121	0.161
	LTE Band 40B/25RB#0 10M	Back Side	39200	21.59	22.80	1.321	0.147	0.195
Battery type 2 at the worst case								
	LTE Band 40B/25RB#0 10M	Back Side	39200	19.37	19.80	1.104	0.257	0.285



Plot No.	Band/Mode	Test Position	CH.	Ave. Power (dBm)	Tune-up Limit (dBm)	Tune-up Scaling Factor	Meas. SAR1g (W/kg)	Reported SAR1g (W/kg)
Top Ant.								
	LTE Band 41/1RB#0 20M	Front Side	40140	20.56	21.80	1.330	0.103	0.138
	LTE Band 41/1RB#0 20M	Back Side	40140	20.56	21.80	1.330	0.171	0.229
	LTE Band 41/50RB#50 20M	Front Side	40140	19.75	20.80	1.274	0.110	0.141
	LTE Band 41/50RB#50 20M	Back Side	40140	19.75	20.80	1.274	0.248	0.318
Bottom Ant.								
	LTE Band 41/1RB#0 20M	Front Side	40140	22.64	23.80	1.306	0.228	0.300
31#	LTE Band 41/1RB#0 20M	Back Side	40140	22.64	23.80	1.306	0.342	0.449
	LTE Band 41/50RB#50 20M	Front Side	40140	21.83	22.80	1.250	0.175	0.220
	LTE Band 41/50RB#50 20M	Back Side	40140	21.83	22.80	1.250	0.262	0.330
Battery type 2 at the worst case								
	LTE Band 41/1RB#0 20M	Back Side	40140	22.64	23.80	1.306	0.334	0.439

➤ **WLAN Body-worn SAR**

Plot No.	Band/Mode	Test Position	CH.	Ave. Power (dBm)	Tune-up Limit (dBm)	Tune-up Scaling Factor	Meas. SAR1g (W/kg)	Reported SAR1g (W/kg)
	WLAN2.4GHz/802.11b	Front Side	6	18.12	20.00	1.542	0.061	0.095
32#	WLAN2.4GHz/802.11b	Back Side	6	18.12	20.00	1.542	0.126	0.196
Battery type 2 at the worst case								
	WLAN2.4GHz/802.11b	Back Side	6	18.12	20.00	1.542	0.119	0.185
	WLAN5.2GHz/802.11n40	Front Side	46	5230	12.96	14.5	0.073	0.108
33#	WLAN5.2GHz/802.11n40	Back Side	46	5230	12.96	14.5	0.268	0.398
	WLAN5.3GHz/802.11n40	Front Side	62	13.37	15.00	1.455	0.069	0.105
34#	WLAN5.3GHz/802.11n40	Back Side	62	13.37	15.00	1.455	0.266	0.403
	WLAN5.3GHz/802.11n40	Front Side	102	12.93	14.50	1.435	0.050	0.075
35#	WLAN5.3GHz/802.11n40	Back Side	102	12.93	14.50	1.435	0.211	0.316
	WLAN5.3GHz/802.11n40	Front Side	159	12.43	14.00	1.435	0.065	0.096
36#	WLAN5.3GHz/802.11n40	Back Side	159	12.43	14.00	1.435	0.257	0.384
Battery type 2 at the worst case								



	WLAN5.3GHz/802.11n40	Back Side	62	13.37	15.00	1.455	0.261	0.396
--	----------------------	-----------	----	-------	-------	-------	-------	-------

Note: The WLAN Reported 1g SAR (W/kg) has been calculated together with the duty cycle scaling factor 1.0 for 2.4G WLAN and 1.042 for 5G WLAN.

17.4. Hotspot SAR Data

➤ GSM Hotspot SAR

Plot No.	Band/Mode	Test Position	CH.	Ave. Power (dBm)	Tune-up Limit (dBm)	Tune-up Scaling Factor	Meas. SAR1g (W/kg)	Reported SAR1g (W/kg)
Top Ant.								
	GPRS 850(4 TX slots)	Front Side	189	26.50	27.30	1.202	0.040	0.048
	GPRS 850(4 TX slots)	Back Side	189	26.50	27.30	1.202	0.101	0.121
	GPRS 850(4 TX slots)	Left Side	189	26.50	27.30	1.202	0.023	0.028
	GPRS 850(4 TX slots)	Top Side	189	26.50	27.30	1.202	0.052	0.063
Bottom Ant.								
	GPRS 850(4 TX slots)	Front Side	189	26.50	27.30	1.202	0.150	0.180
37#	GPRS 850(4 TX slots)	Back Side	189	26.50	27.30	1.202	0.240	0.289
	GPRS 850(4 TX slots)	Left Side	189	26.50	27.30	1.202	0.159	0.191
	GPRS 850(4 TX slots)	Right Side	189	26.50	27.30	1.202	0.051	0.061
	GPRS 850(4 TX slots)	Bottom Side	189	26.50	27.30	1.202	0.200	0.240
Battery type 2 at the worst case								
	GPRS 850(4 TX slots)	Back Side	189	26.50	27.30	1.202	0.189	0.227
Top Ant.								
	GPRS 1900(2 TX slots)	Front Side	512	23.38	24.30	1.236	0.179	0.221
	GPRS 1900(2 TX slots)	Back Side	512	23.38	24.30	1.236	0.327	0.404
	GPRS 1900(2 TX slots)	Left Side	512	23.38	24.30	1.236	0.072	0.089
38#	GPRS 1900(2 TX slots)	Top Side	512	23.38	24.30	1.236	0.526	0.650
Bottom Ant.								
	GPRS 1900(2 TX slots)	Front Side	512	24.38	25.30	1.236	0.087	0.107
	GPRS 1900(2 TX slots)	Back Side	512	24.38	25.30	1.236	0.184	0.227
	GPRS 1900(2 TX slots)	Left Side	512	24.38	25.30	1.236	0.048	0.059
	GPRS 1900(2 TX slots)	Right Side	512	24.38	25.30	1.236	0.085	0.105
	GPRS 1900(2 TX slots)	Bottom Side	512	24.38	25.30	1.236	0.242	0.299
Battery type 2 at the worst case								
	GPRS 1900(2 TX slots)	Top Side	512	23.38	24.30	1.236	0.517	0.639



➤ **WCDMA Hotspot SAR**

Plot No.	Band/Mode	Test Position	CH.	Ave. Power (dBm)	Tune-up Limit (dBm)	Tune-up Scaling Factor	Meas. SAR1g (W/kg)	Reported SAR1g (W/kg)
Top Ant.								
	Band II/RMC	Front Side	9400	16.45	16.80	1.084	0.259	0.281
	Band II/RMC	Back Side	9400	16.45	16.80	1.084	0.480	0.520
	Band II/RMC	Left Side	9400	16.45	16.80	1.084	0.072	0.078
	Band II/RMC	Top Side	9400	16.45	16.80	1.084	0.703	0.762
39#	Band II/RMC	Top Side	9262	16.35	16.80	1.109	0.849	0.942
	Band II/RMC	Top Side	9538	16.28	16.80	1.127	0.554	0.624
Bottom Ant.								
	Band II/RMC	Front Side	9400	16.45	16.80	1.084	0.204	0.221
	Band II/RMC	Back Side	9400	16.45	16.80	1.084	0.374	0.405
	Band II/RMC	Left Side	9400	16.45	16.80	1.084	0.093	0.100
	Band II/RMC	Right Side	9400	16.45	16.80	1.084	0.124	0.134
	Band II/RMC	Bottom Side	9400	16.45	16.80	1.084	0.410	0.444
Battery type 2 at the worst case								
	Band II/RMC	Top Side	9262	16.35	16.80	1.109	0.838	0.929
Top Ant.								
	Band IV/RMC	Front Side	1513	16.54	16.80	1.062	0.246	0.261
	Band IV/RMC	Back Side	1513	16.54	16.80	1.062	0.281	0.298
	Band IV/RMC	Left Side	1513	16.54	16.80	1.062	0.089	0.094
	Band IV/RMC	Top Side	1513	16.54	16.80	1.062	0.432	0.459
Bottom Ant.								
	Band IV/RMC	Front Side	1513	19.93	20.80	1.222	0.236	0.288
	Band IV/RMC	Back Side	1513	19.93	20.80	1.222	0.424	0.518
	Band IV/RMC	Left Side	1513	19.93	20.80	1.222	0.088	0.108
	Band IV/RMC	Right Side	1513	19.93	20.80	1.222	0.143	0.175
40#	Band IV/RMC	Bottom Side	1413	19.93	20.80	1.222	0.447	0.546
Battery type 2 at the worst case								
	Band IV/RMC	Bottom Side	1413	19.93	20.80	1.222	0.439	0.536



Plot No.	Band/Mode	Test Position	CH.	Ave. Power (dBm)	Tune-up Limit (dBm)	Tune-up Scaling Factor	Meas. SAR1g (W/kg)	Reported SAR1g (W/kg)
Top Ant.								
	Band V/RMC	Front Side	4233	23.49	24.10	1.151	0.102	0.117
	Band V/RMC	Back Side	4233	23.49	24.10	1.151	0.142	0.163
	Band V/RMC	Left Side	4233	23.49	24.10	1.151	0.045	0.052
	Band V/RMC	Top Side	4233	23.49	24.10	1.151	0.113	0.130
Bottom Ant.								
	Band V/RMC	Front Side	4233	23.49	24.10	1.151	0.241	0.277
41#	Band V/RMC	Back Side	4233	23.49	24.10	1.151	0.384	0.442
	Band V/RMC	Left Side	4233	23.49	24.10	1.151	0.193	0.222
	Band V/RMC	Right Side	4233	23.49	24.10	1.151	0.063	0.073
	Band V/RMC	Bottom Side	4233	23.49	24.10	1.151	0.330	0.380
Battery type 2 at the worst case								
	Band V/RMC	Back Side	4233	23.49	24.10	1.151	0.378	0.435

➤ **LTE QPSK Hotspot SAR**

Plot No.	Band/Mode	Test Position	CH.	Ave. Power (dBm)	Tune-up Limit (dBm)	Tune-up Scaling Factor	Meas. SAR1g (W/kg)	Reported SAR1g (W/kg)
Top Ant.								
	LTE Band 2/1RB#49 20M	Front Side	18700	17.50	17.80	1.072	0.172	0.184
	LTE Band 2/1RB#49 20M	Back Side	18700	17.50	17.80	1.072	0.288	0.309
	LTE Band 2/1RB#49 20M	Left Side	18700	17.50	17.80	1.072	0.043	0.046
	LTE Band 2/1RB#49 20M	Top Side	18700	17.50	17.80	1.072	0.484	0.519
Bottom Ant.								
	LTE Band 2/50RB#24 20M	Front Side	18700	16.44	16.80	1.086	0.186	0.202
	LTE Band 2/50RB#24 20M	Back Side	18700	16.44	16.80	1.086	0.347	0.377
	LTE Band 2/50RB#24 20M	Left Side	18700	16.44	16.80	1.086	0.044	0.047
42#	LTE Band 2/50RB#24 20M	Top Side	18700	16.44	16.80	1.086	0.486	0.528
Bottom Ant.								
	LTE Band 2/1RB#49 20M	Front Side	18700	18.57	19.80	1.327	0.148	0.196
	LTE Band 2/1RB#49 20M	Back Side	18700	18.57	19.80	1.327	0.239	0.317
	LTE Band 2/1RB#49 20M	Left Side	18700	18.57	19.80	1.327	0.056	0.074
	LTE Band 2/1RB#49 20M	Right Side	18700	18.57	19.80	1.327	0.124	0.165
	LTE Band 2/1RB#49 20M	Bottom Side	18700	18.57	19.80	1.327	0.311	0.413



Plot No.	Band/Mode	Test Position	CH.	Ave. Power (dBm)	Tune-up Limit (dBm)	Tune-up Scaling Factor	Meas. SAR1g (W/kg)	Reported SAR1g (W/kg)
	LTE Band 2/50RB#24 20M	Front Side	18700	17.51	18.80	1.346	0.148	0.199
	LTE Band 2/50RB#24 20M	Back Side	18700	17.51	18.80	1.346	0.242	0.326
	LTE Band 2/50RB#24 20M	Left Side	18700	17.51	18.80	1.346	0.057	0.077
	LTE Band 2/50RB#24 20M	Right Side	18700	17.51	18.80	1.346	0.122	0.164
	LTE Band 2/50RB#24 20M	Bottom Side	18700	17.51	18.80	1.346	0.308	0.415
Battery type 2 at the worst case								
	LTE Band 2/50RB#24 20M	Top Side	18700	16.44	16.80	1.086	0.478	0.519
Top Ant.								
	LTE Band 4/1RB#99 20M	Front Side	20300	16.29	16.80	1.125	0.185	0.208
	LTE Band 4/1RB#99 20M	Back Side	20300	16.29	16.80	1.125	0.198	0.223
	LTE Band 4/1RB#99 20M	Left Side	20300	16.29	16.80	1.125	0.051	0.058
	LTE Band 4/1RB#99 20M	Top Side	20300	16.29	16.80	1.125	0.336	0.378
	LTE Band 4/50RB#0 20M	Front Side	20300	15.29	15.80	1.125	0.142	0.160
	LTE Band 4/50RB#0 20M	Back Side	20300	15.29	15.80	1.125	0.189	0.213
	LTE Band 4/50RB#0 20M	Left Side	20300	15.29	15.80	1.125	0.042	0.047
	LTE Band 4/50RB#0 20M	Top Side	20300	15.29	15.80	1.125	0.272	0.306
Bottom Ant.								
	LTE Band 4/1RB#99 20M	Front Side	20300	19.85	20.80	1.245	0.237	0.295
	LTE Band 4/1RB#99 20M	Back Side	20300	19.85	20.80	1.245	0.365	0.454
	LTE Band 4/1RB#99 20M	Left Side	20300	19.85	20.80	1.245	0.076	0.094
	LTE Band 4/1RB#99 20M	Right Side	20300	19.85	20.80	1.245	0.120	0.149
	LTE Band 4/1RB#99 20M	Bottom Side	20300	19.85	20.80	1.245	0.495	0.616
	LTE Band 4/50RB#0 20M	Front Side	20300	18.75	19.80	1.274	0.252	0.321
	LTE Band 4/50RB#0 20M	Back Side	20300	18.75	19.80	1.274	0.383	0.488
	LTE Band 4/50RB#0 20M	Left Side	20300	18.75	19.80	1.274	0.077	0.098
	LTE Band 4/50RB#0 20M	Right Side	20300	18.75	19.80	1.274	0.117	0.149
43#	LTE Band 4/50RB#0 20M	Bottom Side	20300	18.75	19.80	1.274	0.508	0.647
Battery type 2 at the worst case								
	LTE Band 4/50RB#0 20M	Bottom Side	20300	18.75	19.80	1.274	0.499	0.635



Plot No.	Band/Mode	Test Position	CH.	Ave. Power (dBm)	Tune-up Limit (dBm)	Tune-up Scaling Factor	Meas. SAR1g (W/kg)	Reported SAR1g (W/kg)
Top Ant.								
	LTE Band 5/1RB#0 10M	Front Side	20450	23.03	24.10	1.279	0.134	0.171
	LTE Band 5/1RB#0 10M	Back Side	20450	23.03	24.10	1.279	0.048	0.062
	LTE Band 5/1RB#0 10M	Left Side	20450	23.03	24.10	1.279	0.035	0.045
	LTE Band 5/1RB#0 10M	Bottom Side	20450	23.03	24.10	1.279	0.062	0.080
Bottom Ant.								
	LTE Band 5/25RB#12 10M	Front Side	20450	22.00	23.10	1.288	0.115	0.148
	LTE Band 5/25RB#12 10M	Back Side	20450	22.00	23.10	1.288	0.086	0.111
	LTE Band 5/25RB#12 10M	Left Side	20450	22.00	23.10	1.288	0.030	0.039
	LTE Band 5/25RB#12 10M	Bottom Side	20450	22.00	23.10	1.288	0.056	0.072
Battery type 2 at the worst case								
44#	LTE Band 5/1RB#0 10M	Back Side	20450	23.03	24.10	1.279	0.258	0.330
	LTE Band 5/1RB#0 10M	Front Side	20450	23.03	24.10	1.279	0.178	0.228
	LTE Band 5/1RB#0 10M	Left Side	20450	23.03	24.10	1.279	0.176	0.225
	LTE Band 5/1RB#0 10M	Right Side	20450	23.03	24.10	1.279	0.115	0.147
	LTE Band 5/1RB#0 10M	Bottom Side	20450	23.03	24.10	1.279	0.214	0.274
	LTE Band 5/25RB#12 10M	Front Side	20450	22.00	23.10	1.288	0.156	0.201
	LTE Band 5/25RB#12 10M	Back Side	20450	22.00	23.10	1.288	0.229	0.295
	LTE Band 5/25RB#12 10M	Left Side	20450	22.00	23.10	1.288	0.142	0.183
	LTE Band 5/25RB#12 10M	Right Side	20450	22.00	23.10	1.288	0.092	0.118
	LTE Band 5/25RB#12 10M	Bottom Side	20600	22.00	23.10	1.288	0.194	0.250
	LTE Band 5/1RB#0 10M	Back Side	20450	23.03	24.10	1.279	0.244	0.312



Plot No.	Band/Mode	Test Position	CH.	Ave. Power (dBm)	Tune-up Limit (dBm)	Tune-up Scaling Factor	Meas. SAR1g (W/kg)	Reported SAR1g (W/kg)
Top Ant.								
	LTE Band 7/1RB#0 20M	Front Side	20850	16.84	17.30	1.112	0.102	0.113
	LTE Band 7/1RB#0 20M	Back Side	20850	16.84	17.30	1.112	0.199	0.221
	LTE Band 7/1RB#0 20M	Left Side	20850	16.84	17.30	1.112	0.042	0.047
	LTE Band 7/1RB#0 20M	Top Side	20850	16.84	17.30	1.112	0.150	0.167
	LTE Band 7/50RB#24 20M	Front Side	20850	15.75	16.30	1.135	0.113	0.128
	LTE Band 7/50RB#24 20M	Back Side	20850	15.75	16.30	1.135	0.263	0.299
	LTE Band 7/50RB#24 20M	Left Side	20850	15.75	16.30	1.135	0.045	0.051
	LTE Band 7/50RB#24 20M	Top Side	20850	15.75	16.30	1.135	0.148	0.168
Bottom Ant.								
	LTE Band 7/1RB#0 20M	Front Side	20850	22.36	23.30	1.242	0.453	0.562
	LTE Band 7/1RB#0 20M	Back Side	20850	22.36	23.30	1.242	0.729	0.905
	LTE Band 7/1RB#0 20M	Left Side	20850	22.36	23.30	1.242	0.063	0.078
	LTE Band 7/1RB#0 20M	Right Side	20850	22.36	23.30	1.242	0.361	0.448
	LTE Band 7/1RB#0 20M	Bottom Side	20850	22.36	23.30	1.242	0.329	0.409
	LTE Band 7/1RB#0 20M	Back Side	21100	22.19	23.30	1.291	0.805	1.039
45#	LTE Band 7/1RB#0 20M	Back Side	21350	21.97	23.30	1.358	0.805	1.093
	LTE Band 7/100RB#0 20M	Back Side	20850	21.22	22.30	1.282	0.637	0.817
	LTE Band 7/50RB#24 20M	Front Side	20850	21.30	22.30	1.259	0.373	0.470
	LTE Band 7/50RB#24 20M	Back Side	20850	21.30	22.30	1.259	0.536	0.675
	LTE Band 7/50RB#24 20M	Left Side	20850	21.30	22.30	1.259	0.050	0.063
	LTE Band 7/50RB#24 20M	Right Side	20850	21.30	22.30	1.259	0.238	0.300
	LTE Band 7/50RB#24 20M	Bottom Side	20850	21.30	22.30	1.259	0.265	0.334
Battery type 2 at the worst case								
	LTE Band 7/1RB#0 20M	Back Side	21100	22.19	23.30	1.291	0.787	1.069
Top Ant.								
	LTE Band 38/1RB#0 20M	Front Side	37850	20.17	20.80	1.156	0.129	0.150
	LTE Band 38/1RB#0 20M	Back Side	37850	20.17	20.80	1.156	0.261	0.304
	LTE Band 38/1RB#0 20M	Left Side	37850	20.17	20.80	1.156	0.054	0.063
	LTE Band 38/1RB#0 20M	Top Side	37850	20.17	20.80	1.156	0.139	0.162
	LTE Band 38/50RB#0 20M	Front Side	37850	19.39	19.80	1.099	0.127	0.140
	LTE Band 38/50RB#0 20M	Back Side	37850	19.39	19.80	1.099	0.238	0.263
	LTE Band 38/50RB#0 20M	Left Side	37850	19.39	19.80	1.099	0.054	0.060
	LTE Band 38/50RB#0 20M	Top Side	37850	19.39	19.80	1.099	0.143	0.158



Plot No.	Band/Mode	Test Position	CH.	Ave. Power (dBm)	Tune-up Limit (dBm)	Tune-up Scaling Factor	Meas. SAR1g (W/kg)	Reported SAR1g (W/kg)
Bottom Ant.								
	LTE Band 38/1RB#0 20M	Front Side	37850	22.69	23.80	1.291	0.182	0.236
46#	LTE Band 38/1RB#0 20M	Back Side	37850	22.69	23.80	1.291	0.311	0.404
	LTE Band 38/1RB#0 20M	Left Side	37850	22.69	23.80	1.291	0.022	0.028
	LTE Band 38/1RB#0 20M	Right Side	37850	22.69	23.80	1.291	0.129	0.168
	LTE Band 38/1RB#0 20M	Bottom Side	37850	22.69	23.80	1.291	0.102	0.132
Battery type 2 at the worst case								
	LTE Band 38/1RB#0 20M	Back Side	37850	22.69	23.80	1.291	0.302	0.392
Top Ant.								
	LTE Band 40A/1RB#0 10M	Front Side	38750	20.24	20.80	1.138	0.113	0.129
	LTE Band 40A/1RB#0 10M	Back Side	38750	20.24	20.80	1.138	0.209	0.239
	LTE Band 40A/1RB#0 10M	Left Side	38750	20.24	20.80	1.138	0.037	0.043
	LTE Band 40A/1RB#0 10M	Top Side	38750	20.24	20.80	1.138	0.150	0.172
Battery type 2 at the worst case								
	LTE Band 40A/25RB#24 10M	Front Side	38750	19.38	19.80	1.102	0.121	0.134
47#	LTE Band 40A/25RB#24 10M	Back Side	38750	19.38	19.80	1.102	0.292	0.324
	LTE Band 40A/25RB#24 10M	Left Side	38750	19.38	19.80	1.102	0.036	0.040
	LTE Band 40A/25RB#24 10M	Top Side	38750	19.38	19.80	1.102	0.145	0.161
Bottom Ant.								
	LTE Band 40A/1RB#0 10M	Front Side	38750	22.57	23.80	1.327	0.169	0.225
	LTE Band 40A/1RB#0 10M	Back Side	38750	22.57	23.80	1.327	0.205	0.274
	LTE Band 40A/1RB#0 10M	Left Side	38750	22.57	23.80	1.327	0.029	0.038
	LTE Band 40A/1RB#0 10M	Right Side	38750	22.57	23.80	1.327	0.117	0.156
	LTE Band 40A/1RB#0 10M	Bottom Side	38750	22.57	23.80	1.327	0.174	0.232



Plot No.	Band/Mode	Test Position	CH.	Ave. Power (dBm)	Tune-up Limit (dBm)	Tune-up Scaling Factor	Meas. SAR1g (W/kg)	Reported SAR1g (W/kg)
	LTE Band 40B/1RB#0 10M	Front Side	38750	21.71	22.80	1.285	0.151	0.195
	LTE Band 40A/25RB#24 10M	Back Side	38750	21.71	22.80	1.285	0.178	0.230
	LTE Band 40A/25RB#24 10M	Left Side	38750	21.71	22.80	1.285	0.025	0.032
	LTE Band 40A/25RB#24 10M	Right Side	38750	21.71	22.80	1.285	0.083	0.108
	LTE Band 40A/25RB#24 10M	Bottom Side	38750	21.71	22.80	1.285	0.138	0.178
Battery type 2 at the worst case								
	LTE Band 40A/25RB#24 10M	Back Side	38750	19.38	19.80	1.102	0.287	0.318
Top Ant.								
	LTE Band 40B/1RB#0 10M	Front Side	39200	20.33	20.80	1.114	0.109	0.122
	LTE Band 40B/1RB#0 10M	Back Side	39200	20.33	20.80	1.114	0.189	0.212
	LTE Band 40B/1RB#0 10M	Left Side	39200	20.33	20.80	1.114	0.034	0.039
	LTE Band 40B/1RB#0 10M	Top Side	39200	20.33	20.80	1.114	0.137	0.154
	LTE Band 40B/25RB#0 10M	Front Side	39200	19.37	19.80	1.104	0.112	0.124
48#	LTE Band 40B/25RB#0 10M	Back Side	39200	19.37	19.80	1.104	0.269	0.299
	LTE Band 40B/25RB#0 10M	Left Side	39200	19.37	19.80	1.104	0.034	0.038
	LTE Band 40B/25RB#0 10M	Bottom Side	39200	19.37	19.80	1.104	0.133	0.148
Bottom Ant.								
	LTE Band 40B/1RB#0 10M	Front Side	39200	22.55	23.80	1.334	0.197	0.264
	LTE Band 40B/1RB#0 10M	Back Side	39200	22.55	23.80	1.334	0.183	0.245
	LTE Band 40B/1RB#0 10M	Left Side	39200	22.55	23.80	1.334	0.027	0.036
	LTE Band 40B/1RB#0 10M	Right Side	39200	22.55	23.80	1.334	0.081	0.108
	LTE Band 40B/1RB#0 10M	Bottom Side	39200	22.55	23.80	1.334	0.139	0.186
	LTE Band 40B/25RB#0 10M	Front Side	39200	21.59	22.80	1.321	0.121	0.161
	LTE Band 40B/25RB#0 10M	Back Side	39200	21.59	22.80	1.321	0.147	0.195
	LTE Band 40B/25RB#0 10M	Left Side	39200	21.59	22.80	1.321	0.020	0.027
	LTE Band 40B/25RB#0 10M	Right Side	39200	21.59	22.80	1.321	0.063	0.084
	LTE Band 40B/25RB#0 10M	Bottom Side	39200	21.59	22.80	1.321	0.111	0.148
Battery type 2 at the worst case								
	LTE Band 40B/25RB#0 10M	Back Side	39200	19.37	19.80	1.104	0.257	0.285



Plot No.	Band/Mode	Test Position	CH.	Ave. Power (dBm)	Tune-up Limit (dBm)	Tune-up Scaling Factor	Meas. SAR1g (W/kg)	Reported SAR1g (W/kg)
	LTE Band 41/1RB#0 20M	Front Side	40140	20.56	21.80	1.330	0.103	0.138
	LTE Band 41/1RB#0 20M	Back Side	40140	20.56	21.80	1.330	0.171	0.229
	LTE Band 41/1RB#0 20M	Left Side	40140	20.56	21.80	1.330	0.048	0.065
	LTE Band 41/1RB#0 20M	Top Side	40140	20.56	21.80	1.330	0.120	0.161
Bottom Ant.								
	LTE Band 41/50RB#50 20M	Front Side	40140	19.75	20.80	1.274	0.110	0.141
	LTE Band 41/50RB#50 20M	Back Side	40140	19.75	20.80	1.274	0.248	0.318
	LTE Band 41/50RB#50 20M	Left Side	40140	19.75	20.80	1.274	0.050	0.064
	LTE Band 41/50RB#50 20M	Top Side	40140	19.75	20.80	1.274	0.135	0.173
Bottom Ant.								
	LTE Band 41/1RB#0 20M	Front Side	40140	22.64	23.80	1.306	0.228	0.300
49#	LTE Band 41/1RB#0 20M	Back Side	40140	22.64	23.80	1.306	0.342	0.449
	LTE Band 41/1RB#0 20M	Left Side	40140	22.64	23.80	1.306	0.026	0.034
	LTE Band 41/1RB#0 20M	Right Side	40140	22.64	23.80	1.306	0.133	0.175
	LTE Band 41/1RB#0 20M	Bottom Side	40140	22.64	23.80	1.306	0.113	0.148
Battery type 2 at the worst case								
	LTE Band 41/50RB#50 20M	Front Side	40140	21.83	22.80	1.250	0.175	0.220
	LTE Band 41/50RB#50 20M	Back Side	40140	21.83	22.80	1.250	0.262	0.330
	LTE Band 41/50RB#50 20M	Left Side	40140	21.83	22.80	1.250	0.020	0.025
	LTE Band 41/50RB#50 20M	Right Side	40140	21.83	22.80	1.250	0.101	0.127
	LTE Band 41/50RB#50 20M	Bottom Side	40140	21.83	22.80	1.250	0.086	0.108
Battery type 2 at the worst case								
	LTE Band 41/1RB#0 20M	Back Side	40140	22.64	23.80	1.306	0.334	0.439



➤ **WLAN Hotspot SAR**

Plot No.	Band/Mode	Test Position	CH.	Ave. Power (dBm)	Tune-up Limit (dBm)	Tune-up Scaling Factor	Meas. SAR1g (W/kg)	Reported SAR1g (W/kg)
	WLAN2.4GHz/802.11b	Front Side	6	18.12	20.00	1.542	0.061	0.095
50#	WLAN2.4GHz/802.11b	Back Side	6	18.12	20.00	1.542	0.126	0.196
	WLAN2.4GHz/802.11b	Right Side	6	18.12	20.00	1.542	0.057	0.088
	WLAN2.4GHz/802.11b	Top Side	6	18.12	20.00	1.542	0.062	0.096
	WLAN2.4GHz/802.11b	Back Side	6	18.12	20.00	1.542	0.119	0.185
	WLAN5.2GHz/802.11n40	Front Side	46	5230	12.96	14.5	0.073	0.108
51#	WLAN5.2GHz/802.11n40	Back Side	46	5230	12.96	14.5	0.268	0.398
	WLAN5.2GHz/802.11n40	Right Side	46	5230	12.96	14.5	0.102	0.152
	WLAN5.2GHz/802.11n40	Top Side	46	5230	12.96	14.5	0.224	0.333
	WLAN5.8GHz/802.11 n40	Front Side	159	12.43	14.00	1.435	0.065	0.096
52#	WLAN5.8GHz/802.11 n40	Back Side	159	12.43	14.00	1.435	0.257	0.384
	WLAN5.8GHz/802.11 n40	Right Side	159	12.43	14.00	1.435	0.090	0.134
	WLAN5.8GHz/802.11 n40	Top Side	159	12.43	14.00	1.435	0.217	0.325
Battery type 2 at the worst case								
	WLAN5.8GHz/802.11 n40	Back Side	159	12.43	14.00	1.435	0.248	0.371

Note:

The WLAN Reported 1g SAR (W/kg) has been calculated together with the duty cycle scaling factor 1.0 for 2.4G WLAN and 1.042 for 5GHz WLAN.



17.5. Repeated SAR Assessment

In accordance with published RF Exposure KDB procedure 865664 D01 SAR measurement 100 MHz to 6 GHz. These additional measurements are repeated after the completion of all measurements requiring the same head or body tissue-equivalent medium in a frequency band. The test device should be returned to ambient conditions (normal room temperature) with the battery fully charged before it is re-mounted on the device holder for the repeated measurement(s) to minimize any unexpected variations in the repeated results.

- 1) Repeated measurement is not required when the original highest measured SAR is < 0.80 W/kg; steps 2)through 4) do not apply.
- 2) When the original highest measured SAR is ≥ 0.80 W/kg, repeat that measurement once.
- 3) Perform a second repeated measurement only if the ratio of largest to smallest SAR for the original and first repeated measurements is > 1.20 or when the original or repeated measurement is ≥ 1.45 W/kg (~ 10% from the 1-g SAR limit).
- 4) Perform a third repeated measurement only if the original, first or second repeated measurement is ≥ 1.5 W/kg and the ratio of largest to smallest SAR for the original, first and second repeated measurements is > 1.20 .

Plot No.	Band/Mode	Test Position	CH.	Ave. Power (dBm)	Tune-up Limit (dBm)	Tune-up Scaling Factor	Meas. SAR1g (W/kg)	Reported SAR1g (W/kg)
Bottom Ant.								
OR	LTE Band 7/1RB#0 20M	Back Side	21350	21.97	23.30	1.358	0.805	1.093
	LTE Band 7/1RB#0 20M	Back Side	21350	21.97	23.30	1.358	0.801	1.088



17.6. Extremity SAR Assessment

Guidance:

1. According to KDB 648747 D04v01r03 The UMPC mini-tablet procedures must also be applied to test the SAR of all surfaces and edges with an antenna located at ≤ 25 mm from that surface or edge, in direct contact with a flat phantom, for 10-g extremity SAR according to the body-equivalent tissue dielectric parameters in KDB Publication 865664 D01 to address interactive hand use exposure conditions.
2. When hotspot mode applies, 10-g extremity SAR is required only for the surfaces and edges with hotspot mode 1-g reported SAR > 1.2 W/kg.
3. According to the user manual, the EUT diagonal size is greater than 16cm, therefore the 0mm extremity SAR of WLAN 5GHz is required. There are two types of antennas in this device, only the worst antenna was tested the extremity SAR in this report.
4. Test results as below:

Plot No.	Band/Mode	Test Position	CH.	Ave. Power (dBm)	Tune-up Limit (dBm)	Tune-up Scaling Factor	Meas. SAR _{10g} (W/kg)	Reported SAR _{10g} (W/kg)
OR	WLAN5.3GHz/802.11n40	Back Side	62	13.37	15.00	1.455	0.276	0.419
50#	WLAN5.3GHz/802.11n40	Back Side	62	13.37	15.00	1.455	0.594	0.901
Battery type 2 at the worst case								
	WLAN5.3GHz/802.11n40	Back Side	62	13.37	15.00	1.455	0.589	0.893
	WLAN5.8GHz/802.11n40	Back Side	102	12.93	14.50	1.435	0.211	0.316
51#	WLAN5.8GHz/802.11n40	Back Side	144	12.93	14.50	1.435	0.322	0.482
Battery type 2 at the worst case								
	WLAN5.8GHz/802.11n40	Back Side	144	12.93	14.50	1.435	0.314	0.470

18. Simultaneous Transmission Evaluation

18.1. Simultaneous Transmission Consideration

No.	Simultaneous Transmission Consideration	Head	Body-Worn	Hotspot
1	WWAN(2G/3G/4G)+WLAN 2.4GHz	Yes	Yes	Yes
2	WWAN(2G/3G/4G)+WLAN 5.3GHz/5.5GHz	Yes	Yes	Yes
3	WWAN(2G/3G/4G)+WLAN 5.2GHz/5.8GHz	Yes	Yes	NO
4	WWAN(2G/3G/4G)+Bluetooth	NO	Yes	NO

Note:

- When the user enables the personal wireless router functions for the handset, actual operations include simultaneous transmission of both the Wi-Fi transmitter and another WWAN transmitter. Both transmitter often do not transmit at the same transmitting frequency and thus cannot be evaluated for SAR under actual use conditions. The "Portable Hotspot" feature on the handset was NOT activated, to ensure the SAR measurements were evaluated for a single transmission frequency RF signal.
- The hotspot SAR result may overlap with the body-worn accessory SAR requirements, per KDB 941225 D06, the more conservative configurations can be considered, thus excluding some unnecessary body-worn accessory SAR tests.
- Simultaneous Transmission SAR evaluation is not required for BT and Wi-Fi , because the software mechanism have been incorporated to guarantee that the WLAN and Bluetooth transmitters would not simultaneously operate.
- Per KDB 447498D01v06, Simultaneous Transmission SAR Evaluation procedures is as followed:

Step 1: If sum of 1 g SAR < 1.6 W/kg, Simultaneous SAR measurement is not required.

Step 2: If sum of 1 g SAR > 1.6 W/kg, ratio of SAR to peak separation distance for pair of transmitters calculated.

Step 3: If the ratio of SAR to peak separation distance is ≤ 0.04 , Simultaneous SAR measurement is not required.

Step 4: If the ratio of SAR to peak separation distance is > 0.04 , Simultaneous SAR measurement is required and simultaneous transmission SAR value is calculated.

(The ratio is determined by: $(SAR1 + SAR2) \wedge 1.5/Ri \leq 0.04$,

Ri is the separation distance between the peak SAR locations for the antenna pair in mm.
- 2.4G&5G MIMO SAR was combined standalone SAR of antenna 0 and antenna 1.
- The 5G NR for n41 transmitter and the 5G WLAN antenna 1 share the same antenna, therefore both of them cannot transmit simultaneously
- When it supports transmit simultaneously at WWAN+WLAN MIMO mode, the co-location SAR of WWAN+WLAN(standalone SAR) would not be recorded in this report.

18.2. Simultaneous Transmission Analysis

➤ Head Simultaneous Transmission for WWAN(2/3/4G)+WLAN(2.4GHz+5G)

WWAN Band		Exposure Position	1	2	3	1+2 Summed 1g SAR (W/kg)	1+3 Summed 1g SAR (W/kg)	
			WWAN	WLAN 2.4GHz	WLAN 5GHz			
		1g SAR(W/kg)						
GSM	GSM850	Right Cheek	0.519	0.434	0.480	0.953	0.999	
		Right Tilt	0.305	0.324	0.546	0.629	0.851	
		Left Cheek	0.551	0.586	0.499	1.137	1.050	
		Left Tilt	0.310	0.382	0.567	0.692	0.877	
	GSM1900	Right Cheek	0.488	0.434	0.480	0.922	0.968	
		Right Tilt	0.541	0.324	0.546	0.865	1.087	
		Left Cheek	0.314	0.586	0.499	0.900	0.813	
		Left Tilt	0.388	0.382	0.567	0.770	0.955	
WCDMA	Band II	Right Cheek	0.610	0.434	0.480	1.044	1.090	
		Right Tilt	0.722	0.324	0.546	1.046	1.268	
		Left Cheek	0.352	0.586	0.499	0.938	0.851	
		Left Tilt	0.434	0.382	0.567	0.816	1.001	
	Band IV	Right Cheek	0.423	0.434	0.480	0.857	0.903	
		Right Tilt	0.444	0.324	0.546	0.768	0.990	
		Left Cheek	0.179	0.586	0.499	0.765	0.678	
		Left Tilt	0.208	0.382	0.567	0.590	0.775	
	Band V	Right Cheek	0.588	0.434	0.480	1.022	1.068	
		Right Tilt	0.443	0.324	0.546	0.767	0.989	
		Left Cheek	0.784	0.586	0.499	1.370	1.283	
		Left Tilt	0.577	0.382	0.567	0.959	1.144	
LTE	LTE Band 2	Right Cheek	0.738	0.434	0.480	1.172	1.218	
		Right Tilt	0.839	0.324	0.546	1.163	1.385	
		Left Cheek	0.548	0.586	0.499	1.134	1.047	
		Left Tilt	0.766	0.382	0.567	1.148	1.333	
	LTE Band 4	Right Cheek	0.493	0.434	0.480	0.927	0.973	
		Right Tilt	0.554	0.324	0.546	0.878	1.100	
		Left Cheek	0.208	0.586	0.499	0.794	0.707	
		Left Tilt	0.198	0.382	0.567	0.580	0.765	



WWAN Band		Exposure Position	1	2	3	1+2 Summed 1g SAR (W/kg)	1+3 Summed 1g SAR (W/kg)
			WWAN	WLAN 2.4GHz	WLAN 5GHz		
		1g SAR(W/kg)					
LTE	LTE Band 5	Right Cheek	0.363	0.434	0.480	0.797	0.843
		Right Tilt	0.287	0.324	0.546	0.611	0.833
		Left Cheek	0.377	0.586	0.499	0.963	0.876
		Left Tilt	0.307	0.382	0.567	0.689	0.874
	LTE Band 7	Right Cheek	0.483	0.434	0.480	0.917	0.963
		Right Tilt	0.580	0.324	0.546	0.904	1.126
		Left Cheek	0.373	0.586	0.499	0.959	0.872
		Left Tilt	0.448	0.382	0.567	0.830	1.015
	LTE Band 38	Right Cheek	0.392	0.434	0.480	0.826	0.872
		Right Tilt	0.444	0.324	0.546	0.768	0.990
		Left Cheek	0.296	0.586	0.499	0.882	0.795
		Left Tilt	0.371	0.382	0.567	0.753	0.938
	LTE Band 40A	Right Cheek	0.406	0.434	0.480	0.840	0.886
		Right Tilt	0.483	0.324	0.546	0.807	1.029
		Left Cheek	0.292	0.586	0.499	0.878	0.791
		Left Tilt	0.327	0.382	0.567	0.709	0.894
	LTE Band 40B	Right Cheek	0.378	0.434	0.480	0.812	0.858
		Right Tilt	0.444	0.324	0.546	0.768	0.990
		Left Cheek	0.256	0.586	0.499	0.842	0.755
		Left Tilt	0.305	0.382	0.567	0.687	0.872
	LTE Band 41	Right Cheek	0.756	0.434	0.480	1.190	1.236
		Right Tilt	0.809	0.324	0.546	1.133	1.355
		Left Cheek	0.324	0.586	0.499	0.910	0.823
		Left Tilt	0.380	0.382	0.567	0.762	0.947



➤ **Body-worn Simultaneous Transmission for WWAN(2/3/4G)+WLAN(2.4GHz/5G)**

WWAN Band		Exposure Position	1	2	3	4	1+2 Sum.	1+3 Sum.	1+4 Sum.
			WWAN	WLAN 2.4GHz	WLAN 5GHz	Bluetooth Estimated			
1g SAR(W/kg)									
GSM	GSM 850	Front	0.180	0.095	0.105	0.372	0.275	0.285	0.552
		Back	0.289	0.196	0.419	0.372	0.485	0.708	0.661
	GSM 1900	Front	0.221	0.095	0.105	0.372	0.316	0.326	0.593
		Back	0.404	0.196	0.419	0.372	0.600	0.823	0.776
WCDMA	Band II	Front	0.281	0.095	0.105	0.372	0.376	0.386	0.653
		Back	0.520	0.196	0.419	0.372	0.716	0.939	0.892
	Band IV	Front	0.288	0.095	0.105	0.372	0.383	0.393	0.660
		Back	0.518	0.196	0.419	0.372	0.714	0.937	0.890
	Band V	Front	0.277	0.095	0.105	0.372	0.372	0.382	0.649
		Back	0.442	0.196	0.419	0.372	0.638	0.861	0.814
LTE	LTE Band 2	Front	0.202	0.095	0.105	0.372	0.297	0.307	0.574
		Back	0.377	0.196	0.419	0.372	0.573	0.796	0.749
	LTE Band 4	Front	0.321	0.095	0.105	0.372	0.416	0.426	0.693
		Back	0.488	0.196	0.419	0.372	0.684	0.907	0.860
	LTE Band 5	Front	0.228	0.095	0.105	0.372	0.323	0.333	0.600
		Back	0.330	0.196	0.419	0.372	0.526	0.749	0.702
	LTE Band 7	Front	0.562	0.095	0.105	0.372	0.657	0.667	0.934
		Back	1.093	0.196	0.403	0.372	1.289	1.496	1.465
	LTE Band 38	Front	0.236	0.095	0.105	0.372	0.331	0.341	0.608
		Back	0.404	0.196	0.419	0.372	0.600	0.823	0.776
	LTE Band 40A	Front	0.225	0.095	0.105	0.372	0.320	0.330	0.597
		Back	0.324	0.196	0.419	0.372	0.520	0.743	0.696
	LTE Band 40B	Front	0.264	0.095	0.105	0.372	0.359	0.369	0.636
		Back	0.299	0.196	0.419	0.372	0.495	0.718	0.671
	LTE Band 41	Front	0.300	0.095	0.105	0.372	0.395	0.405	0.672
		Back	0.449	0.196	0.419	0.372	0.645	0.868	0.821



➤ Hotspot Simultaneous Transmission for WWAN(2/3/4G)+WLAN(2.4GHz/5.2G&5.8G)

WWAN Band		Exposure Position	1	2	3	1+2 Summed 1g SAR (W/kg)	1+3 Summed 1g SAR (W/kg)
			WWAN	WLAN 2.4GHz	WLAN 5GHz		
		1g SAR(W/kg)					
GSM	GSM850	Front	0.180	0.095	0.096	0.275	0.276
		Back	0.289	0.196	0.398	0.485	0.687
		Left	0.191	0.000	0.000	0.191	0.191
		Right	0.061	0.088	0.134	0.149	0.195
		Top	0.063	0.096	0.325	0.159	0.388
		Bottom	0.240	0.000	0.000	0.240	0.240
	GSM1900	Front	0.221	0.095	0.096	0.316	0.317
		Back	0.404	0.196	0.398	0.600	0.802
		Left	0.089	0.000	0.000	0.089	0.089
		Right	0.105	0.088	0.134	0.193	0.239
		Top	0.650	0.096	0.325	0.746	0.975
		Bottom	0.299	0.000	0.000	0.299	0.299
WCDMA	Band II	Front	0.281	0.095	0.096	0.376	0.377
		Back	0.520	0.196	0.398	0.716	0.918
		Left	0.100	0.000	0.000	0.100	0.100
		Right	0.134	0.088	0.134	0.222	0.268
		Top	0.942	0.096	0.325	1.038	1.267
		Bottom	0.444	0.000	0.000	0.444	0.444
	Band IV	Front	0.288	0.095	0.096	0.383	0.384
		Back	0.518	0.196	0.398	0.714	0.916
		Left	0.108	0.000	0.000	0.108	0.108
		Right	0.175	0.088	0.134	0.263	0.309
		Top	0.459	0.096	0.325	0.555	0.784
		Bottom	0.546	0.000	0.000	0.546	0.546
	Band V	Front	0.277	0.095	0.096	0.372	0.373
		Back	0.442	0.196	0.398	0.638	0.840
		Left	0.222	0.000	0.000	0.222	0.222
		Right	0.075	0.088	0.134	0.163	0.209
		Top	0.130	0.096	0.325	0.226	0.455
		Bottom	0.380	0.000	0.000	0.380	0.380



WWAN Band		Exposure Position	1	2	3	1+2	1+3
			WWAN	WLAN 2.4GHz	WLAN 5GHz	Summed	Summed
			1g SAR(W/kg)			1g SAR	1g SAR
			(W/kg)	(W/kg)	(W/kg)	(W/kg)	(W/kg)
LTE	LTE Band 2	Front	0.202	0.095	0.096	0.297	0.298
		Back	0.377	0.196	0.398	0.573	0.775
		Left	0.077	0.000	0.000	0.077	0.077
		Right	0.165	0.088	0.134	0.253	0.299
		Top	0.528	0.096	0.325	0.624	0.853
		Bottom	0.415	0.000	0.000	0.415	0.415
	LTE Band 4	Front	0.321	0.095	0.096	0.416	0.417
		Back	0.488	0.196	0.398	0.684	0.886
		Left	0.098	0.000	0.000	0.098	0.098
		Right	0.149	0.088	0.134	0.237	0.283
		Top	0.378	0.096	0.325	0.474	0.703
		Bottom	0.647	0.000	0.000	0.647	0.647
	LTE Band 5	Front	0.228	0.095	0.096	0.323	0.324
		Back	0.330	0.196	0.398	0.526	0.728
		Left	0.225	0.000	0.000	0.225	0.225
		Right	0.147	0.088	0.134	0.235	0.281
		Top	0.080	0.096	0.325	0.176	0.405
		Bottom	0.274	0.000	0.000	0.274	0.274
	LTE Band 7	Front	0.562	0.095	0.096	0.657	0.658
		Back	1.093	0.196	0.398	1.289	1.491
		Left	0.078	0.000	0.000	0.078	0.078
		Right	0.448	0.088	0.134	0.536	0.582
		Top	0.168	0.096	0.325	0.264	0.493
		Bottom	0.409	0.000	0.000	0.409	0.409
LTE Band 38	Front	0.236	0.095	0.096	0.331	0.332	
	Back	0.404	0.196	0.398	0.600	0.802	
	Left	0.063	0.000	0.000	0.063	0.063	
	Right	0.168	0.088	0.134	0.256	0.302	
	Top	0.162	0.096	0.325	0.258	0.487	
	Bottom	0.132	0.000	0.000	0.132	0.132	



WWAN Band		Exposure Position	1	2	3	1+2 Summed 1g SAR (W/kg)	1+3 Summed 1g SAR (W/kg)
			WWAN	WLAN 2.4GHz	WLAN 5GHz		
			1g SAR(W/kg)				
LTE	LTE Band 40A	Front	0.225	0.095	0.096	0.320	0.321
		Back	0.324	0.196	0.398	0.520	0.722
		Left	0.043	0.000	0.000	0.043	0.043
		Right	0.156	0.088	0.134	0.244	0.290
		Top	0.172	0.096	0.325	0.268	0.497
		Bottom	0.232	0.000	0.000	0.232	0.232
	LTE Band 40B	Front	0.264	0.095	0.096	0.359	0.360
		Back	0.299	0.196	0.398	0.495	0.697
		Left	0.039	0.000	0.000	0.039	0.039
		Right	0.108	0.088	0.134	0.196	0.242
		Top	0.154	0.096	0.325	0.250	0.479
		Bottom	0.186	0.000	0.000	0.186	0.186
	LTE Band 41	Front	0.300	0.095	0.096	0.395	0.396
		Back	0.449	0.196	0.398	0.645	0.847
		Left	0.065	0.000	0.000	0.065	0.065
		Right	0.175	0.088	0.134	0.263	0.309
		Top	0.173	0.096	0.325	0.269	0.498
		Bottom	0.148	0.000	0.000	0.148	0.148

19. Uncertainty Assessment

The component of uncertainty may generally be categorized according to the methods used to evaluate them. The evaluation of uncertainty by the statistical analysis of a series of observations is termed a Type A evaluation of uncertainty. The evaluation of uncertainty by means other than the statistical analysis of a series of observation is termed a Type B evaluation of uncertainty. Each component of uncertainty, however evaluated, is represented by an estimated standard deviation, termed standard uncertainty, which is determined by the positive square root of the estimated variance.

A Type A evaluation of standard uncertainty may be based on any valid statistical method for treating data. This includes calculating the standard deviation of the mean of a series of independent observations; using the method of least squares to fit a curve to the data in order to estimate the parameter of the curve and their standard deviations; or carrying out an analysis of variance in order to identify and quantify random effects in certain kinds of measurement.

A type B evaluation of standard uncertainty is typically based on scientific judgment using all of the relevant information available. These may include previous measurement data, experience, and knowledge of the behavior and properties of relevant materials and instruments, manufacture's specification, data provided in calibration reports and uncertainties assigned to reference data taken from handbooks. Broadly speaking, the uncertainty is either obtained from an outdoor source or obtained from an assumed distribution, such as the normal distribution, rectangular or triangular distributions indicated in table below.

Uncertainty	Normal	Rectangular	Triangular	U-Shape
Multi-plying Factor ^(a)	$1/k^{(b)}$	$1/\sqrt{3}$	$1/\sqrt{6}$	$1/\sqrt{2}$

Standard Uncertainty for Assumed Distribution

- (a) standard uncertainty is determined as the product of the multiplying factor and the estimated range of variations in the measured quantity
- (b) κ is the coverage factor

The combined standard uncertainty of the measurement result represents the estimated standard deviation of the result. It is obtained by combining the individual standard uncertainties of both Type A and Type B evaluation using the usual "root-sum-squares" (RSS) methods of combining standard deviations by taking the positive square root of the estimated variances.

Expanded uncertainty is a measure of uncertainty that defines an interval about the measurement result within which the measured value is confidently believed to lie. It is obtained by multiplying the combined standard uncertainty by a coverage factor. Typically, the coverage factor ranges from 2 to 3. Using a coverage factor allows the true value of a measured quantity to be specified with a defined probability within the specified uncertainty range. For purpose of this document, a coverage factor two is used, which corresponds to confidence interval of about 95 %. The DASY uncertainty Budget is shown in the following



tables.

Error Description	Uncertainty Value (±%)	Probability	Divisor	(Ci) 1g	(Ci) 10g	Standard Uncertainty (1g) (±%)	Standard Uncertainty (10g) (±%)
Measurement System							
Probe Calibration	6.0	N	1	1	1	6.0	6.0
Axial Isotropy	4.7	R	1.732	0.7	0.7	1.9	1.9
Hemispherical Isotropy	9.6	R	1.732	0.7	0.7	3.9	3.9
Boundary Effects	1.0	R	1.732	1	1	0.6	0.6
Linearity	4.7	R	1.732	1	1	2.7	2.7
System Detection Limits	1.0	R	1.732	1	1	0.6	0.6
Modulation Response	3.2	R	1.732	1	1	1.8	1.8
Readout Electronics	0.3	N	1	1	1	0.3	0.3
Response Time	0.0	R	1.732	1	1	0.0	0.0
Integration Time	2.6	R	1.732	1	1	1.5	1.5
RF Ambient Noise	3.0	R	1.732	1	1	1.7	1.7
RF Ambient Reflections	3.0	R	1.732	1	1	1.7	1.7
Probe Positioner	0.4	R	1.732	1	1	0.2	0.2
Probe Positioning	2.9	R	1.732	1	1	1.7	1.7
Max. SAR Eval.	2.0	R	1.732	1	1	1.2	1.2
Test Sample Related							
Device Positioning	3.0	N	1	1	1	3.0	3.0
Device Holder	3.6	N	1	1	1	0.089	0.089
Power Drift	5.0	R	1.732	1	1	2.9	2.9
Power Scaling	0.0	R	1.732	1	1	0.0	0.0
Phantom and Setup							
Phantom Uncertainty	6.1	R	1.732	1	1	3.5	3.5
SAR correction	0.0	R	1.732	1	0.84	0.0	0.0
Liquid Conductivity Repeatability	0.2	N	1	0.78	0.71	0.1	0.1
Liquid Conductivity (target)	5.0	R	1.732	0.78	0.71	2.3	2.0
Liquid Conductivity (mea.)	2.5	R	1.732	0.78	0.71	1.1	1.0
Temp. unc. - Conductivity	3.4	R	1.732	0.78	0.71	1.5	1.4
Liquid Permittivity Repeatability	0.15	N	1	0.23	0.26	0.0	0.0
Liquid Permittivity (target)	5.0	R	1.732	0.23	0.26	0.7	0.8
Liquid Permittivity (mea.)	2.5	R	1.732	0.23	0.26	0.3	0.4
Temp. unc. - Permittivity	0.83	R	1.732	0.23	0.26	0.1	0.1
Combined Std. Uncertainty						11.4%	11.4%
Coverage Factor for 95 %						K=2	K=2
Expanded STD Uncertainty						22.9%	22.7%

Error Description	Uncertainty Value (±%)	Probability	Divisor	(Ci) 1g	(Ci) 10g	Standard Uncertainty (1g) (±%)	Standard Uncertainty (10g) (±%)
Measurement System							
Probe Calibration	6.55	N	1	1	1	6.0	6.0



Axial Isotropy	4.7	R	1.732	0.7	0.7	1.9	1.9
Hemispherical Isotropy	9.6	R	1.732	0.7	0.7	3.9	3.9
Boundary Effects	2.0	R	1.732	1	1	1.2	1.2
Linearity	4.7	R	1.732	1	1	2.7	2.7
System Detection Limits	1.0	R	1.732	1	1	0.6	0.6
Modulation Response	3.2	R	1.732	1	1	1.8	1.8
Readout Electronics	0.3	N	1	1	1	0.3	0.3
Response Time	0.0	R	1.732	1	1	0.0	0.0
Integration Time	2.6	R	1.732	1	1	1.5	1.5
RF Ambient Noise	3.0	R	1.732	1	1	1.7	1.7
RF Ambient Reflections	3.0	R	1.732	1	1	1.7	1.7
Probe Positioner	0.4	R	1.732	1	1	0.2	0.2
Probe Positioning	6.7	R	1.732	1	1	3.9	3.9
Max. SAR Eval.	4.0	R	1.732	1	1	2.3	2.3
Test Sample Related							
Device Positioning	3.0	N	1	1	1	3.0	3.0
Device Holder	3.6	N	1	1	1	0.089	0.089
Power Drift	5.0	R	1.732	1	1	2.9	2.9
Power Scaling	0.0	R	1.732	1	1	0.0	0.0
Phantom and Setup							
Phantom Uncertainty	6.1	R	1.732	1	1	3.8	3.8
SAR correction	0.0	R	1.732	1	0.84	0.0	0.0
Liquid Conductivity Repeatability	0.2	N	1	0.78	0.71	0.1	0.1
Liquid Conductivity (target)	5.0	R	1.732	0.78	0.71	2.3	2.0
Liquid Conductivity (mea.)	2.5	R	1.732	0.78	0.71	1.1	1.0
Temp. unc. - Conductivity	3.4	R	1.732	0.78	0.71	1.5	1.4
Liquid Permittivity Repeatability	0.15	N	1	0.23	0.26	0.0	0.0
Liquid Permittivity (target)	5.0	R	1.732	0.23	0.26	0.7	0.8
Liquid Permittivity (mea.)	2.5	R	1.732	0.23	0.26	0.3	0.4
Temp. unc. - Permittivity	0.83	R	1.732	0.23	0.26	0.1	0.1
Combined Std. Uncertainty						12.5%	12.5%
Coverage Factor for 95 %						K=2	K=2
Expanded STD Uncertainty						25.1 %	25.1%



Annex A General Information

1. Identification of the Responsible Testing Laboratory

Laboratory Name:	Shenzhen Morlab Communications Technology Co., Ltd.Morlab Laboratory
Laboratory Address:	FL.3, Building A, FeiYang Science Park, No.8 LongChang Road, Block 67, BaoAn District, ShenZhen, GuangDong Province, P. R. China
Telephone:	+86 755 36698555
Facsimile:	+86 755 36698525

2. Identification of the Responsible Testing Location

Name:	Shenzhen Morlab Communications Technology Co., Ltd. Morlab Laboratory
Address:	FL.3, Building A, FeiYang Science Park, No.8 LongChang Road, Block 67, BaoAn District, ShenZhen, GuangDong Province, P. R. China

Note:

The main report is end here and the other Annex (B,C,D,E) will be submitted separately.

***** END OF MAIN REPORT *****