



TEST REPORT

APPLICANT : Realme Chongqing Mobile
Telecommunications Corp., Ltd.

PRODUCT NAME : Mobile Phone

MODEL NAME : RMX2103

BRAND NAME : realme

FCC ID : 2AUYFRMX2103

STANDARD(S) : 47 CFR Part 2(2.1093)
IEEE 1528-2013

RECEIPT DATE : 2020-07-30

TEST DATE : 2020-08-12 to 2020-08-31

ISSUE DATE : 2020-08-31

Edited by : Liang Yumei
Liang Yumei (Rapporteur)

Approved by: Peng Huarui
Peng Huarui (Supervisor)

NOTE: This document is issued by MORLAB, the test report shall not be reproduced except in full without prior written permission of the company. The test results apply only to the particular sample(s) tested and to the specific tests carried out which is available on request for validation and information confirmed at our website.





DIRECTORY

1. SAR Results Summary.....	5
2. Technical Information.....	7
2.1. Applicant and Manufacturer Information.....	7
2.2. Equipment Under Test (EUT) Description	7
2.3. Environment of Test Site/Conditions	9
3. Specific Absorption Rate (SAR).....	10
3.1. Introduction	10
3.2. SAR Definition	10
4. RF Exposure Limits.....	11
4.1. Uncontrolled Environment	11
4.2. Controlled Environment.....	11
5. Applied Reference Documents	12
6. SAR Measurement System.....	13
6.1. E-Field Probe	14
6.2. Data Acquisition Electronics (DAE).....	15
6.3. Robot	16
6.4. Measurement Server	16
6.5. Light Beam Unit.....	17
6.6. Phantom	17
6.7. Device Holder	18
6.8. Data Storage and Evaluation.....	19
6.9. Test Equipment List.....	22
7. Tissue Simulating Liquids.....	24
8. SAR System Verification.....	26



- 8.1. Purpose of System Performance check 26
- 8.2. System Setup 26
- 8.3. Validation Results 27
- 9. EUT Testing Position 29
 - 9.1. Handset Reference Points 29
 - 9.2. Positioning for Cheek / Touch 30
 - 9.3. Positioning for Ear / 15° Tilt 31
 - 9.4. SAR Evaluations near the Mouth/Jaw Regions of the SAM Phantom 31
 - 9.5. Body-worn Configurations 32
 - 9.6. Hotspot Mode Exposure Position Conditions 32
- 10. Measurement Procedures 33
 - 10.1. Spatial Peak SAR Evaluation 33
 - 10.2. Power Reference Measurement 34
 - 10.3. Area Scan Procedures 34
 - 10.4. Zoom Scan Procedures 35
 - 10.5. SAR Averaged Methods 35
 - 10.6. Power Drift Monitoring 35
- 11. SAR Test Procedure 36
 - 11.1. General Scan Requirements 36
 - 11.2. Test Procedure 37
 - 11.3. Description of Interpolation/Extrapolation Scheme 37
 - 11.4. Wireless Router 37
- 12. SAR Test Configuration 39
- 13. Conducted RF Output Power 51
 - 13.1. Conducted Full Power 51
 - 13.2. Conducted Reduced Power 82
- 14. LTE Carrier Aggregation 132
 - 14.1. Carrier Aggregation Combination 132



14.2. LTE Downlink Carrier Aggregation Conducted Power133

15. Hot-Spot Mode Evaluation Procedure136

16. Block Diagram of the Tests to be Performed.....137

16.1. Head137

16.2. Body.....138

17. Test Results List139

17.1. Test Guidance.....139

17.2. Head SAR Data141

17.3. Body-worn SAR Data.....151

17.4. Hotspot SAR Data159

17.5. Extremity SAR Assessment169

18. Simultaneous Transmission Evaluation170

18.1. Simultaneous Transmission Consideration.....170

18.2. Simultaneous Transmission Analysis.....171

19. Uncertainty Assessment.....177

Annex A General Information180

Annex B Test Setup Photos

Annex C Plots of System Performance Check

Annex D Plots of Maximum SAR Test Results

Annex E DASY Calibration Certificate

Changed History		
Version	Date	Reason for Change
1.0	2020-08-28	First edition

1. SAR Results Summary

The maximum results of Specific Absorption Rate (SAR) found during test as bellows:

<Highest Reported SAR Summary>

Frequency Band		Highest SAR Summary			
		Head (Gap 0mm)	Body-worn (Gap 10mm)	Hotspot (Gap 10mm)	Extremity (Gap 0mm)
		1g SAR (W/kg)			10g SAR (W/kg)
GSM	GSM850	0.747	0.903	0.903	N/A
	GSM1900	0.756	0.485	0.508	N/A
WCDMA	WCDMA Band II	0.638	0.697	0.715	N/A
	WCDMA Band IV	0.366	0.779	1.093	N/A
	WCDMA Band V	0.821	0.170	0.170	N/A
LTE	LTE Band 2	0.778	0.564	0.788	N/A
	LTE Band 4	0.790	0.494	0.739	N/A
	LTE Band 5	0.473	0.225	0.225	N/A
	LTE Band 7	0.531	0.803	0.900	N/A
	LTE Band 38	0.728	0.526	0.526	N/A
	LTE Band 40A	0.440	0.632	0.632	N/A
	LTE Band 40B	0.523	0.626	0.648	N/A
WLAN	2.4GHz WLAN	0.922	0.275	0.275	N/A
	5GHz WLAN	0.967	0.439	0.569	0.738
2.4GHz Band	Bluetooth (Estimated)	N/A	0.234	N/A	N/A

Max Scaled SAR _{1g} (W/Kg):	Head:	0.967 W/kg	Limit(W/kg): 1.6 W/kg
	Body-worn:	0.903 W/kg	
	Hotspot:	1.093 W/kg	
Max Scaled SAR _{10g} (W/Kg):	Extremity:	0.738 W/kg	Limit(W/kg): 4.0 W/kg

Highest Simultaneous Transmission SAR _{1g} (W/Kg):	1.479 W/kg	Limit(W/kg): 1.6 W/kg
---	------------	-----------------------

Note:

- This device is in compliance with Specific Absorption Rate (SAR) for general population or uncontrolled exposure limits (1.6W/kg as averaged over any 1 gram of tissue; specified in FCC 47 CFR part 2 (2.1093) and ANSI/IEEE C95.1-1992), and had been tested in accordance with



the measurement methods and procedures specified in IEEE 1528-2013 and FCC KDB publications.

2. When the test result is a critical value, we will use the measurement uncertainty give the judgment result based on the 95% risk level.



2. Technical Information

Note: Provide by applicant.

2.1. Applicant and Manufacturer Information

Applicant:	Realme Chongqing Mobile Telecommunications Corp., Ltd.
Applicant Address:	No.178 Yulong Avenue, Yufengshan, Yubei District, Chongqing, China
Manufacturer:	Realme Chongqing Mobile Telecommunications Corp., Ltd.
Manufacturer Address:	No.178 Yulong Avenue, Yufengshan, Yubei District, Chongqing, China

2.2. Equipment Under Test (EUT) Description

Product Name:	Mobile Phone
Hardware Version:	11
Software Version:	realme UI V1.0
Frequency Bands:	GSM 850: 824 MHz ~ 849 MHz GSM 1900: 1850 MHz ~ 1910 MHz WCDMA Band II: 1850 MHz ~ 1910 MHz WCDMA Band IV: 1710 MHz ~ 1755 MHz WCDMA Band V: 824 MHz ~ 849 MHz LTE Band 2: 1850 MHz ~ 1910 MHz LTE Band 4: 1710 MHz ~ 1755 MHz LTE Band 5: 824 MHz ~ 849 MHz LTE Band 7: 2500 MHz ~ 2570 MHz LTE Band 38: 2570 MHz ~ 2620MHz LTE Band 40A: 2305 MHz ~ 2315 MHz LTE Band 40B: 2350 MHz ~ 2360 MHz LTE Band 41: 2535 MHz ~ 2655 MHz WLAN 2.4GHz: 2412 MHz ~ 2472 MHz WLAN 5.2GHz: 5180 MHz ~ 5240 MHz WLAN 5.3GHz: 5260 MHz ~ 5320 MHz WLAN 5.5GHz: 5500 MHz ~ 5720 MHz WLAN 5.8GHz: 5745 MHz ~ 5825 MHz Bluetooth: 2402 MHz ~ 2480 MHz NFC: 13.56 MHz
Modulation Mode:	GSM/GPRS: GMSK



	EDGE: 8PSK WCDMA: QPSK/16QAM/64QAM LTE: QPSK/16QAM/64QAM 802.11b: DSSS 802.11a/g/n-HT20/HT40/ac-VHT20/40/80: OFDM BR+EDR: GFSK(1Mbps), $\pi/4$ -DQPSK(2Mbps), 8-DPSK(3Mbps) Bluetooth LE: GFSK(1Mbps) NFC: ASK	
LTE Carrier Aggregation Combinations:	CA Downlink Only: B2C/B7C/B38C/B41C	
Multi-slot Class:	GPRS: Multi-slot Class 12; EDGE: Multi-slot Class 12;	
Operation Class:	Class B	
Hotspot Mode:	WWAN/2.4GHz WLAN/5.2GHz WLAN/5.8GHz WLAN	
Antenna Type:	WWAN: PIFA Antenna WLAN: PIFA Antenna Bluetooth: PIFA Antenna	
Battery Type 1:	Manufacturer:	SUNWODA Electronic Co., Ltd.
	Model Name:	BLP803
	Capacity:	4890mAh
	Rated Voltage:	3.87V
Battery Type 2:	Manufacturer:	Huizhou Desay Battery Co., Ltd.
	Model Name:	BLP803
	Capacity:	4890mAh
	Rated Voltage:	3.87V
Battery Type 2:	Manufacturer:	TWS TECHNOLOGY (GUANGZHOU) LIMITED
	Model Name:	BLP803
	Capacity:	4890mAh
	Rated Voltage:	3.87V
SIM Cards Description:	SIM 1	GSM+WCDMA+LTE
	SIM 2	GSM+WCDMA+LTE
	For dual SIM card version, SIM 1 and SIM 2 are the same chipset unit and tested as a single chipset, the SIM 1 is selected for testing	

Note: For a more detailed description, please refer to specification or user manual supplied by the applicant and/or manufacturer.



2.3. Environment of Test Site/Conditions

Normal Temperature (NT):	20-25 °C
Relative Humidity:	30-75 %
Air Pressure:	980-1020 hPa

Test Frequency:	GSM 850MHz/1900MHz WCDMA Band II/IV/V FDD-LTE Band 2/4/5/7 TDD-LTE Band 38/40A/40B/41 WLAN 2.4GHz WLAN 5GHz
Operation Mode:	Call established
Power Level:	GSM 850 MHz (Maximum output power(level 5)) GSM 1900MHz (Maximum output power(level 0)) WCDMA Band II/IV/V (All Up Bits) FDD-LTE Band 2/4/5/7(Maximum output power) TDD-LTE Band 38/40A/40B/41 (Maximum output power) WLAN 2.4GHz (Power Setting=17) WLAN 5.3GHz (Power Setting=15) WLAN 5.5GHz (Power Setting=15) WLAN 5.8GHz (Power Setting=16)

During SAR test, EUT is in Traffic Mode (Channel Allocated) at Normal Voltage Condition. A communication link is set up with a System Simulator (SS) by air link, and a call is established.

The EUT shall use its internal transmitter. The antenna(s), battery and accessories shall be those specified by the Factory. The EUT battery must be fully charged and checked periodically during the test to ascertain uniform power output. If a wireless link is used, the antenna connected to the output of the base station simulator shall be placed at least 50 cm away from the handset. The signal transmitted by the simulator to the antenna feeding point shall be lower than the output power level of the handset by at least 35 dB.

3. Specific Absorption Rate (SAR)

3.1. Introduction

SAR is related to the rate at which energy is absorbed per unit mass in an object exposed to a radio field. The SAR distribution in a biological body is complicated and is usually carried out by experimental techniques or numerical modeling. The standard recommends limits for two tiers of groups, occupational or controlled and general population or uncontrolled, based on a person's awareness and ability to exercise control over his or her exposure. In general, occupational or controlled exposure limits are Middle than the limits for general population or uncontrolled.

3.2. SAR Definition

The SAR definition is the time derivative (rate) of the incremental energy (dW) absorbed by(dissipated in) an incremental mass (dm) contained in a volume element (dv) of a given density. (ρ). The equation description is as below:

$$SAR = \frac{d}{dt} \left(\frac{dW}{dm} \right) = \frac{d}{dt} \left(\frac{dW}{\rho dv} \right)$$

SAR is expressed in units of Watts per kilogram (W/kg).

SAR measurement can be either related to the temperature elevation in tissue by,

$$SAR = C \left(\frac{\delta T}{\delta t} \right)$$

Where C is the specific head capacity, δT is the temperature rise and δt the exposure duration, or related to the electrical field in the tissue by

$$SAR = \frac{\sigma |E|^2}{\rho}$$

Where σ is the conductivity of the tissue, ρ is the mass density of the tissue and $|E|$ is the rmselectrical field strength.

However for evaluating SAR of low power transmitter, electrical field measurement is typically applied.



4. RF Exposure Limits

4.1. Uncontrolled Environment

Uncontrolled Environments are defined as locations where there is the exposure of individuals who have no knowledge or control of their exposure. The general population/uncontrolled exposure limits are applicable to situations in which the general public may be exposed or in which persons who are exposed as a consequence of their employment may not be made fully aware of the potential for exposure or cannot exercise control over their exposure. Members of the general public would come under this category when exposure is not employment-related; for example, in the case of a wireless transmitter that exposes persons in its vicinity.

4.2. Controlled Environment

Controlled Environments are defined as locations where there is exposure that may be incurred by persons who are aware of the potential for exposure, (i.e. as a result of employment or occupation). In general, occupational/controlled exposure limits are applicable to situations in which persons are exposed as a consequence of their employment, who have been made fully aware of the potential for exposure and can exercise control over their exposure. The exposure category is also applicable when the exposure is of a transient nature due to incidental passage through a location where the exposure levels may be higher than the general population/uncontrolled limits, but the exposed person is fully aware of the potential for exposure and can exercise control over his or her exposure by leaving the area or by some other appropriate means.

Limits for General Population/Uncontrolled Exposure (W/kg)

Type Exposure	Uncontrolled Environment Limit
Spatial Peak SAR (1g cube tissue for head and trunk)	1.6 W/kg
Spatial Peak SAR (10g cube tissue for limbs)	4.0 W/kg
Spatial Peak SAR (1g cube tissue for whole body)	0.08 W/kg

Note:

1. Occupational/Uncontrolled Environments are defined as locations where there is exposure that may be incurred by people who are aware of the potential for exposure (i.e. as a result of employment or occupation).
2. Whole-Body SAR is averaged over the entire body, partial-body SAR is averaged over any 1gram of tissue defined as a tissue volume in the shape of a cube. SAR for hands, wrists, feet and ankles is averaged over any 10 grams of tissue defined as a tissue volume in the shape of a cube.

5. Applied Reference Documents

Leading reference documents for testing:

No.	Identity	Document Title	Method Determination /Remark
1	47 CFR Part 2(2.1093)	Radio Frequency Radiation Exposure Evaluation: Portable Devices	No deviation
2	IEEE 1528-2013	IEEE Recommended Practice for Determining the Peak Spatial-Average Specific Absorption Rate (SAR) in the Human Head from Wireless Communications Devices: Measurement Techniques	No deviation
3	KDB 447498 D01v06	General RF Exposure Guidance	No deviation
4	KDB 248227 D01v02r02	SAR Measurement Procedures for 802.11 Transmitters	No deviation
5	KDB 865664 D01v01r04	SAR Measurement 100 MHz to 6 GHz	No deviation
6	KDB 865664 D02v01r02	RF Exposure Reporting	No deviation
7	KDB 648474 D04v01r03	Handset SAR	No deviation
8	KDB 941225 D01v03r01	3G SAR MEAUREMENT PROCEDURES	No deviation
9	KDB 941225 D05v02r05	SAR Evaluation Consideration for LTE Devices	No deviation
10	KDB 941225 D06v02r01	SAR Evaluation Procedures For Portable Devices With Wireless Router Capabilities	No deviation
<p>Note 1: The test item is not applicable.</p> <p>Note 2: Additions to, deviation, or exclusions from the method shall be judged in the "method determination" column of add, deviate or exclude from the specific method shall be explained in the "Remark" of the above table.</p>			

6. SAR Measurement System

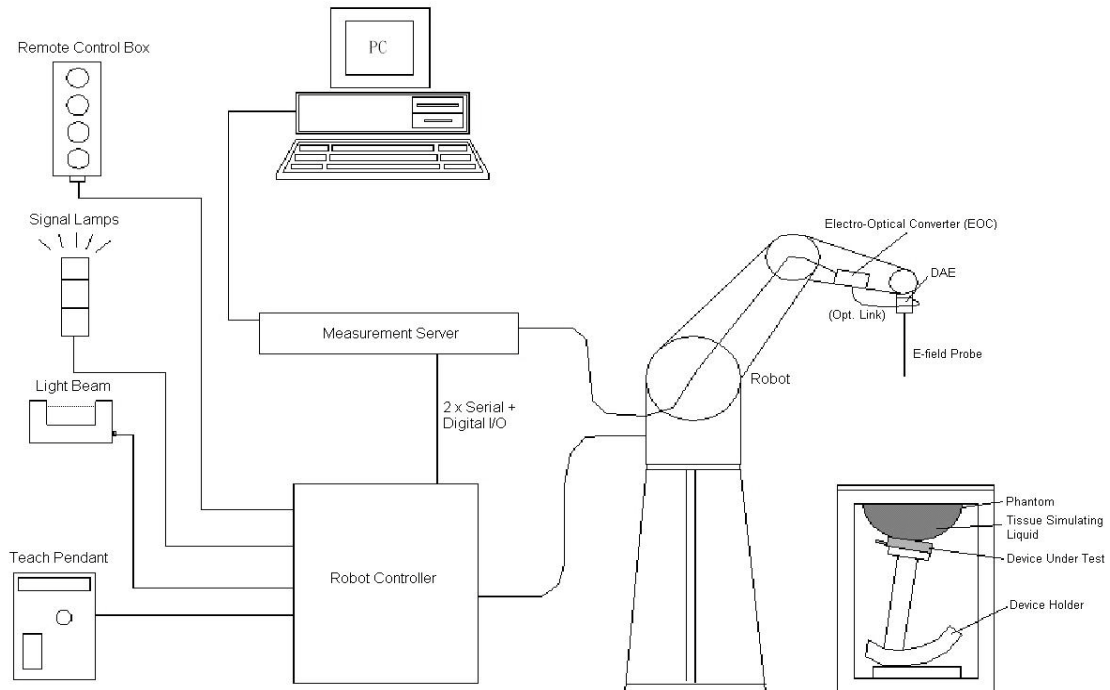


Fig 6.1 SPEAG DASY System Configurations

The DASY system for performance compliance tests is illustrated above graphically. This system consists of the following items:

- A standard high precision 6-axis robot with controller, a teach pendant and software.
- A data acquisition electronic (DAE) attached to the robot arm extension.
- A dosimetric probe equipped with an optical surface detector system.
- The electro-optical converter (ECO) performs the conversion between optical and electrical signals
- A measurement server performs the time critical tasks such as signal filtering, control of the robot operation and fast movement interrupts.
- A probe alignment unit which improves the accuracy of the probe positioning.
- A computer operating Windows XP.
- DASY software.
- Remote control with teach pendant and additional circuitry for robot safety such as warning lamps, etc.
- The SAM twin phantom.
- A device holder.
- Tissue simulating liquid.
- Dipole for evaluating the proper functioning of the system.
- Some of the components are described in details in the following sub-sections.

6.1. E-Field Probe

The SAR measurement is conducted with the dosimetric probe (manufactured by SPEAG). The probe is specially designed and calibrated for use in liquid with high permittivity. The dosimetric probe has special calibration in liquid at different frequency. This probe has a built in optical surface detection system to prevent from collision with phantom.

E-Field Probe Specification <ES3DV3 Probe>

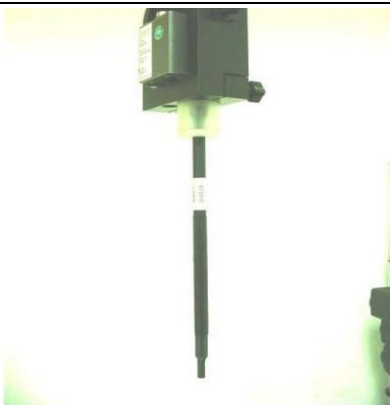
Construction	Symmetrical design with triangular core Built-in optical fiber for surface detection system. Built-in shielding against static charges. PEEK enclosure material (resistant to organic solvents, e.g., DGBE)	
Frequency	10 MHz to 3 GHz; Linearity: ± 0.2 dB	
Directivity	± 0.2 dB in HSL (rotation around probe axis) ± 0.4 dB in HSL (rotation normal to probe axis)	
Dynamic Range	5 μ W/g to 100 mW/g; Linearity: ± 0.2 dB	
Dimensions	Overall length: 330 mm (Tip: 16 mm) Tip diameter: 6.8 mm (Body: 12 mm) Distance from probe tip to dipole centers: 2.7 mm	

Fig 6.2 Photo of ES3DV3

<EX3DV4 Probe>


Construction	Symmetrical design with triangular core Built-in shielding against static charges PEEK enclosure material (resistant to organic solvents, e.g., DGBE)	
Frequency	10 MHz to 6 GHz; Linearity: ± 0.2 dB	
Directivity	± 0.3 dB in HSL (rotation around probe axis) ± 0.5 dB in tissue material (rotation normal to probe axis)	
Dynamic Range	10 μ W/g to 100 mW/g; Linearity: ± 0.2 dB	
Dimensions	Overall length: 330 mm (Tip: 20 mm) Tip diameter: 2.5 mm (Body: 12 mm) Typical distance from probe tip to dipole centers: 1 mm	

Fig 6.3 Photo of EX3DV4

E-Field Probe Calibration

Each probe needs to be calibrated according to a dosimetric assessment procedure with accuracy better than $\pm 10\%$. The spherical isotropy shall be evaluated and within ± 0.25 dB. The sensitivity parameters (NormX, NormY, and NormZ), the diode compression parameter (DCP) and the conversion factor (ConvF) of the probe are tested. The calibration data can be referred to appendix C of this report.

6.2. Data Acquisition Electronics (DAE)

The data acquisition electronics(DAE) consists of a highly sensitive electrometer-grade preamplifier with auto-zeroing, a channel and gain-switching multiplexer, a fast16 bit AD-converter and a command decoder and control logic unit. AD-converter and a command decoder and control logic unit. Transmission to the measurement server is accomplished through an optical downlink for data and status information as well as an optical uplink for commands and the clock. The input impedance of the DAE is 200M Ω ; the inputs are symmetrical and floating. Common mode rejection is above 80 dB.



Fig 6.4 Photo of DAE

6.3. Robot

The SPEAG DASY system uses the high precision robots (DASY4: RX90BL; DASY5: TX90XL) type from Stäubli SA (France). For the 6-axis controller system, the robot controller version (DASY4: CS7MB; DASY5: CS8c) from Stäubli is used. The Stäubli robot series have many features that are important for our application:

High precision (repeatability ± 0.035 mm)

High reliability (industrial design)

Jerk-free straight movements

Low ELF interference (the closed metallic construction shields against motor control fields)



Fig 6.5 Photo of DASY5

6.4. Measurement Server

The measurement server is based on a PC/104 CPU board with CPU (DASY4: 166 MHz, Intel Pentium; DASY5: 400 MHz, Intel Celeron), chip disk (DASY4: 32 MB; DASY5: 128 MB), RAM (DASY4: 64 MB, DASY5: 128 MB). The necessary circuits for communication with the DAE electronic box, as well as the 16 bit AD converter system for optical detection and digital I/O interface are contained on the DASY I/O board, which is directly connected to the PC/104 bus of the CPU board.

The measurement server performs all the real-time data evaluation for field measurements and surface detection, controls robot movements and handles safety operations.



Fig 6.6 Photo of Server for DASY5

6.5. Light Beam Unit

The light beam switch allows automatic "tooling" of the probe. During the process, the actual position of the probe tip with respect to the robot arm is measured, as well as the probe length and the horizontal probe offset. The software then corrects all movements, such that the robot coordinates are valid for the probe tip.

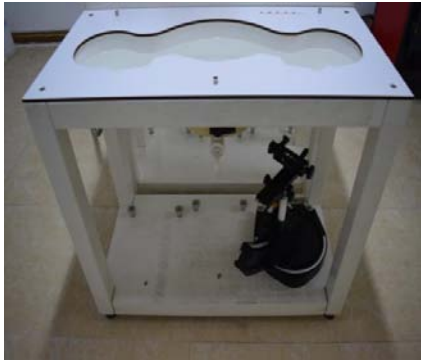
The repeatability of this process is better than 0.1 mm. If a position has been taught with an aligned probe, the same position will be reached with another aligned probe within 0.1 mm, even if the other probe has different dimensions. During probe rotations, the probe tip will keep its actual position.



Fig. 6.7 Photo of Light Beam

6.6. Phantom

<SAM Twin Phantom>

Shell Thickness	2 ± 0.2 mm (sagging: <1%) Center ear point: 6 ± 0.2 mm	
Filling Volume	Approx. 25 liters	
Dimensions	Length: 1000 mm; Width: 500 mm; Height: adjustable feet	
Measurement Areas	Left Hand, Right Hand, Flat Phantom	Fig 6.8 Photo of SAM Phantom

The bottom plate contains three pair of bolts for locking the device holder. The device holder positions are adjusted to the standard measurement positions in the three sections. A white cover is provided to tap the phantom during off-periods to prevent water evaporation and changes in the liquid parameters. On the phantom top, three reference markers are provided to identify the phantom position with respect to the robot.

6.7. Device Holder

<Device Holder for SAM Twin Phantom>

The SAR in the phantom is approximately inversely proportional to the square of the distance between the source and the liquid surface. For a source at 5 mm distance, a positioning uncertainty of ± 0.5 mm would produce a SAR uncertainty of ± 20 %. Accurate device positioning is therefore crucial for accurate and repeatable measurements. The positions in which the devices must be measured are defined by the standards.

The DASY device holder is designed to cope with different positions given in the standard. It has two scales for the device rotation (with respect to the body axis) and the device inclination (with respect to the line between the ear reference points). The rotation center for both scales is the ear reference point (EPR). Thus the device needs no repositioning when changing the angles.

The DASY device holder is constructed of low-loss POM material having the following dielectric parameters: relative permittivity $\epsilon = 3$ and loss tangent $\delta = 0.02$. The amount of dielectric material has been reduced in the closest vicinity of the device, since measurements have suggested that the influence of the clamp on the test results could thus be lowered.



Fig 6.9 Device Holder

<Laptop Extension Kit>

The extension is lightweight and made of POM, acrylic glass and foam. It fits easily on the upper part of the mounting device in place of the phone positioned. The extension is fully compatible with the SAM Twin and ELI phantoms.

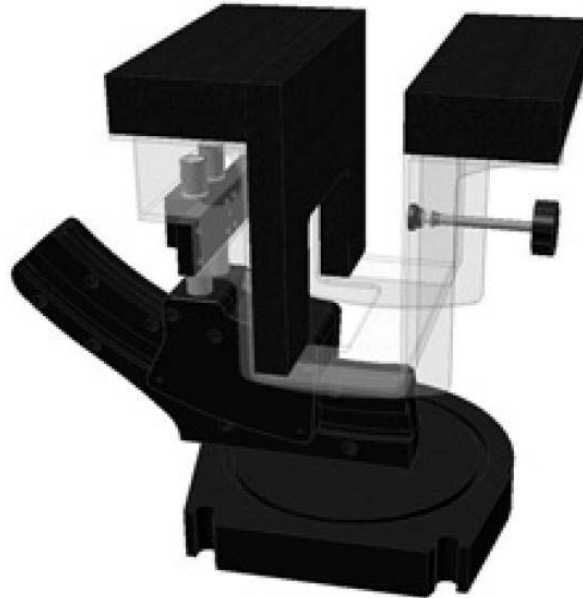


Fig 6.10 Laptop Extension Kit

6.8. Data Storage and Evaluation

➤ Data Storage

The DASY software stores the assessed data from the data acquisition electronics as raw data (in microvolt readings from the probe sensors), together with all the necessary software parameters for the data evaluation (probe calibration data, liquid parameters and device frequency and modulation data) in measurement files. The post-processing software evaluates the desired unit and format for output each time the data is visualized or exported. This allows verification of the complete software setup even after the measurement and allows correction of erroneous parameter settings. For example, if a measurement has been performed with an incorrect crest factor parameter in the device setup, the parameter can be corrected afterwards and the data can be reevaluated.

The measured data can be visualized or exported in different units or formats, depending on the selected probe type (e.g., [V/m], [A/m], [mW/g]). Some of these units are not available in certain situations or give meaningless results, e.g., a SAR-output in a non-lose media, will always be zero. Raw data can also be exported to perform the evaluation with other software packages.

**➤ Data Evaluation**

The DASY post-processing software (SEMCAD) automatically executes the following procedures to calculate the field units from the microvolt readings at the probe connector. The parameters used in the evaluation are stored in the configuration modules of the software.

Probe parameters:	- Sensitivity	Norm _i , a _{i0} , a _{i1} , a _{i2}
	- Conversion factor	ConvF _i
	- Diode compression point	dcp _i
Device parameters:	- Frequency	f
	- Crest factor	cf
Media parameters:	- Conductivity	σ
	- Density	ρ

These parameters must be set correctly in the software. They can be found in the component documents or they can be imported into the software from the configuration files issued for the DASY components. In the direct measuring mode of the multi-meter option, the parameters of the actual system setup are used. In the scan visualization and export modes, the parameters stored in the corresponding document files are used.

The first step of the evaluation is a linearization of the filtered input signal to account for the compression characteristics of the detector diode. The compensation depends on the input signal, the diode type and the DC-transmission factor from the diode to the evaluation electronics. If the exciting field is pulsed, the crest factor of the signal must be known to correctly compensate for peak power.

The formula for each channel can be given as:

$$V_i = U_i + U_i^2 \times \frac{cf}{dcp_i}$$

With
 V_i = compensated signal of channel i , ($i = x, y, z$)
 U_i = input signal of channel i , ($i = x, y, z$)
 cf = crest factor of exciting field (DASY parameter)
 dcp_i = diode compression point (DASY parameter)

From the compensated input signals, the primary field data for each channel can be evaluated:

$$\text{E-field Probes: } E_i = \sqrt{\frac{V_i}{\text{Norm}_i \times \text{ConvF}}}$$

$$\text{H-field Probes: } H_i = \sqrt{V_i} \times \frac{a_{i0} + a_{i1} + a_{i2}f^2}{f}$$



With V_i = compensated signal of channel i , ($i = x, y, z$)
Norm $_i$ = sensor sensitivity of channel i , ($i = x, y, z$), $\mu V/(V/m)^2$ for E-field
Probes ConvF = sensitivity enhancement in solution
 a_{ij} = sensor sensitivity factors for H-field probes
 f = carrier frequency [GHz]
 E_i = electric field strength of channel i in V/m
 H_i = magnetic field strength of channel i in A/m

The RSS value of the field components gives the total field strength (Hermitian magnitude):

$$E_{\text{tot}} = \sqrt{E_x^2 + E_y^2 + E_z^2}$$

The primary field data are used to calculate the derived field units.

$$\text{SAR} = E_{\text{tot}}^2 \times \frac{\sigma}{\rho \times 1000}$$

with SAR = local specific absorption rate in mW/g

E_{tot} = total field strength in V/m

σ = conductivity in [mho/m] or [Siemens/m]

ρ = equivalent tissue density in g/cm^3

Note that the density is set to 1, to account for actual head tissue density rather than the density of the tissue simulating liquid.



6.9. Test Equipment List

Manufacturer	Name of Equipment	Type/Model	Serial Number	Calibration	
				Last Cal.	Due Date
SPEAG	835MHz System Validation Kit	D835V2	4d227	2018.06.22	2021.06.21
SPEAG	1750MHz System Validation Kit	D1750V2	1160	2018.06.25	2021.06.24
SPEAG	1900MHz System Validation Kit	D1900V2	5d221	2018.06.22	2021.06.21
SPEAG	2300MHz System Validation Kit	D2300V2	1107	2020.06.20	2023.06.19
SPEAG	2450MHz System Validation Kit	D2450V2	805	2018.10.26	2021.10.25
SPEAG	2600MHz System Validation Kit	D2600V2	1139	2018.06.25	2021.06.24
SPEAG	5000MHz System Validation Kit	D5GHzV2	1176	2018.11.06	2021.11.05
SPEAG	Dosimetric E-Field Probe	EX3DV4	3823	2020.01.03	2021.01.02
SPEAG	Data Acquisition Electronics	DAE4	480	2020.06.02	2021.06.01
SPEAG	Dielectric Assessment KIT	DAK-3.5	1279	2019.11.03	2020.11.02
SPEAG	SAM Twin Phantom 1	QD 000 P40 CB	TP-1471	NCR	NCR
SPEAG	SAM Twin Phantom 2	QD 000 P40 CB	TP-1464	NCR	NCR
SPEAG	Phone Positioner	N/A	N/A	NCR	NCR
R&S	Network Emulator	CMW500	124534	2020.03.31	2021.03.30
Anritsu	Radio Communication Analyzer	MT 8821C	6261830572	2020.02.25	2021.02.21
Anritsu	Radio Communication Analyzer	MT8000A	6262012906	2019.10.07	2020.10.06
Agilent	Network Analyzer	E5071B	MY42404762	2019.04.15	2020.04.14
mini-circuits	Amplifier	ZHL-42W+	608501717	NCR	NCR
mini-circuits	Amplifier	ZVE-8G+	754401735	NCR	NCR
Agilent	Signal Generator	N5182B	MY53050509	2020.03.31	2021.03.30
Agilent	Power Sensor	N8482A	MY41090849	2019.10.28	2020.10.27
Agilent	Power Meter	E4416A	MY45102093	2019.10.28	2020.10.27
Anritsu	Power Sensor	MA2411B	N/A	2019.10.28	2020.10.27
Anritsu	Power Meter	NRVD	101066	2019.10.28	2020.10.27
Agilent	Dual Directional Coupler	778D	50422	NA	NA
MCL	Attenuation1	351-218-010	N/A	NA	NA
THERMOMETER	Thermo meter	DC-803	N/A	2020.06.04	2020.09.03
N/A	Tissue Simulating Liquids	700-6000MHz	N/A	24H	

Note:

1. The calibration certificate of DASY can be referred to appendix E of this report.
2. The Insertion Loss calibration of Dual Directional Coupler and Attenuator were characterized



via the network analyzer and compensated during system check.

3. The dielectric probe kit was calibrated via the network analyzer, with the specified procedure (calibrated in pure water) and calibration kit (standard) short circuit, before the dielectric measurement. The specific procedure and calibration kit are provided by Speag.
4. In system check we need to monitor the level on the power meter, and adjust the power amplifier level to have precise power level to the dipole; the measured SAR will be normalized to 1W input power according to the ratio of 1W to the input power to the dipole. For system check, the calibration of the power amplifier is deemed not critically required for correct measurement; the power meter is critical and we do have calibration for it.
5. Attenuator insertion loss is calibrated by the network Analyzer, which the calibration is valid, before system check.
6. N.C.R means No Calibration Requirement.

7. Tissue Simulating Liquids

For SAR measurement of the field distribution inside the phantom, the phantom must be filled with homogeneous tissue simulating liquid to a depth of at least 15cm. For head SAR testing, the liquid height from the ear reference point (ERP) of the phantom to the liquid top surface is larger than 15cm. For body SAR testing, the liquid height from the center of the flat phantom to the liquid top surface is larger than 15cm, which is shown in Fig. 7.1. For body SAR testing, the liquid height from the center of the flat phantom to the liquid top surface is larger than 15 cm, which is shown in Fig. 7.2. The nominal dielectric values of the tissue simulating liquids in the phantom and the tolerance of 5% are listed in below table.



Fig 7.1 Photo of Liquid Height for Head SAR



Fig 7.2 Photo of Liquid Height for Body SAR

The following table gives the recipes for tissue simulating liquids.

Frequency (MHz)	Water (%)	Sugar (%)	Cellulose (%)	Salt (%)	Preventol (%)	DGBE (%)	Conductivity (σ)	Permittivity (ϵ_r)
Head								
750	41.1	57.0	0.2	1.4	0.2	0	0.89	41.9
835	40.3	57.9	0.2	1.4	0.2	0	0.90	41.5
1800, 1900, 2000	55.2	0	0	0.3	0	44.5	1.40	40.0
2450	55.0	0	0	0	0	45.0	1.80	39.2
2600	54.8	0	0	0.1	0	45.1	1.96	39.0
Body								
750	51.7	47.2	0	0.9	0.1	0	0.96	55.5
835	50.8	48.2	0	0.9	0.1	0	0.97	55.2
1800, 1900, 2000	70.2	0	0	0.4	0	29.4	1.52	53.3
2450	68.6	0	0	0	0	31.4	1.95	52.7
2600	68.1	0	0	0.1	0	31.8	2.16	52.5

Simulating Liquid for 5GHz, Manufactured by SPEAG.

Ingredients	(% by weight)
Water	64~78%
Mineral oil	11~18%
Emulsifiers	9~15%
Additives and Salt	2~3%

Note: Please refer to the validation results for dielectric parameters of each frequency band.



The dielectric properties of the tissue simulating liquids were verified prior to the SAR evaluation using an Agilent 85033E Dielectric Probe Kit and an Agilent Network Analyzer.

Table 1: Dielectric Performance of Tissue Simulating Liquid

Frequency (MHz)	Tissue Type	Liquid Temp. (°C)	Conductivity (σ)	Conductivity Target (σ)	Delta (σ) (%)	Limit (%)	Date
835	HSL	22.2	0.943	0.90	4.78	±5	2020.08.12
1750	HSL	22.4	1.434	1.37	4.67	±5	2020.08.20
1900	HSL	22.5	1.353	1.40	-3.36	±5	2020.08.17
2300	HSL	22.4	1.670	1.67	0.00	±5	2020.08.18
2450	HSL	22.1	1.814	1.80	0.78	±5	2020.08.26
2600	HSL	22.3	1.984	1.96	1.22	±5	2020.08.23
5250	HSL	22.2	4.531	4.71	-3.80	±5	2020.08.27
5250	HSL	22.6	4.527	4.71	-3.89	±5	2020.08.31
5600	HSL	22.1	4.875	5.07	-3.85	±5	2020.08.28
5750	HSL	22.1	5.030	5.22	-3.64	±5	2020.08.28
Frequency (MHz)	Tissue Type	Liquid Temp. (°C)	Permittivity (ϵ_r)	Permittivity Target (ϵ_r)	Delta (ϵ_r) (%)	Limit (%)	Date
835	HSL	22.2	42.882	41.50	3.33	±5	2020.08.12
1750	HSL	22.4	39.533	40.10	-1.41	±5	2020.08.20
1900	HSL	22.5	39.744	40.00	-0.64	±5	2020.08.17
2300	HSL	22.4	39.254	39.50	-0.62	±5	2020.08.18
2450	HSL	22.1	38.809	39.20	-1.00	±5	2020.08.26
2600	HSL	22.3	38.295	39.00	-1.81	±5	2020.08.23
5250	HSL	22.2	34.967	35.95	-2.73	±5	2020.08.27
5250	HSL	22.6	4.527	4.71	-3.89	±5	2020.08.31
5600	HSL	22.1	34.501	35.50	-2.81	±5	2020.08.28
5750	HSL	22.1	34.288	35.35	-3.00	±5	2020.08.28



8. SAR System Verification

Each DASY system is equipped with one or more system validation kits. These units, together with the predefined measurement procedures within the DASY software, enable the user to conduct the system performance check and system validation. System validation kit includes a dipole, tripod holder to fix it underneath the flat phantom and a corresponding distance holder.

8.1. Purpose of System Performance check

The system performance check verifies that the system operates within its specifications. System and operator errors can be detected and corrected. It is recommended that the system performance check be performed prior to any usage of the system in order to guarantee reproducible results. The system performance check uses normal SAR measurements in a simplified setup with a well characterized source. This setup was selected to give a high sensitivity to all parameters that might fail or vary over time. The system check does not intend to replace the calibration of the components, but indicates situations where the system uncertainty is exceeded due to drift or failure.

8.2. System Setup

The output power on dipole port must be calibrated to 24 dBm (250 mW) before dipole is connected. In the simplified setup for system evaluation, the DUT is replaced by a calibrated dipole and the power source is replaced by a continuous wave which comes from a signal generator. The calibrated dipole must be placed beneath the flat phantom section of the SAM twin phantom with the correct distance holder. The distance holder should touch the phantom surface with a light pressure at the reference marking and be oriented parallel to the long side of the phantom. The system check verifies that the system operates within its specifications. It is performed daily or before every SAR measurement. The system check uses normal SAR measurements in the flat section of the phantom with a matched dipole at a specified distance. The system verification setup is shown as below.



Fig 8.1 Photo of Dipole Setup

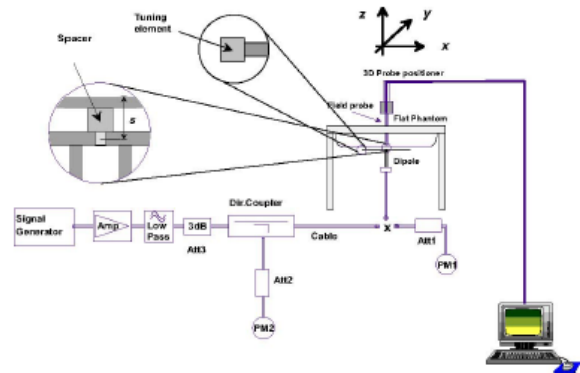


Fig 8.2 System Setup for System Evaluation

8.3. Validation Results

After system check testing, the SAR result will be normalized to 1W forward input power and compared with the reference SAR value derived from validation dipole certificate report. The deviation of system check should be within 10 %.

<Validation Setup>

Frequency (MHz)	Tissue Type	Input Power (mW)	Dipole S/N	Probe S/N	DAE S/N
835	HSL	250	D835V2-4d227	3823	480
1750	HSL	250	D1750V2-1160	3823	480
1900	HSL	250	D1900V2_5d221	3823	480
2300	HSL	250	D2300V2-1107	3823	480
2450	HSL	250	D2450V2-805	3823	480
2600	HSL	250	D2600V2-1139	3823	480
5250	HSL	100	D5GHzV2-1176-5250	3823	480
5600	HSL	100	D5GHzV2-1176-5600	3823	480
5750	HSL	100	D5GHzV2-1176-5750	3823	480



<Validation Results>

Date	Frequency (MHz)	Tissue Type	Input Power (mW)	Measured 1g SAR (W/kg)	Targeted 1g SAR (W/kg)	Normalized 1g SAR (W/kg)	Deviation (%)
2020.08.12	835	HSL	250	2.38	9.34	9.52	1.93
2020.08.20	1750	HSL	250	9.40	37.10	37.6	1.35
2020.08.17	1900	HSL	250	9.93	39.50	39.72	0.56
2020.08.18	2300	HSL	250	11.83	48.40	47.32	-2.23
2020.08.26	2450	HSL	250	13.50	52.00	54	3.85
2020.08.23	2600	HSL	250	13.83	54.00	55.32	2.44
2020.08.27	5250	HSL	100	7.84	78.90	78.4	-0.63
2020.08.31	5250	HSL	100	7.28	78.90	72.8	-7.73
2020.08.28	5600	HSL	100	7.96	80.90	79.6	-1.61
2020.08.28	5750	HSL	100	8.04	80.00	80.4	0.50

Date	Frequency (MHz)	Tissue Type	Input Power (mW)	Measured 10g SAR (W/kg)	Targeted 10g SAR (W/kg)	Normalized 10g SAR (W/kg)	Deviation (%)
2020.08.12	835	HSL	250	1.58	6.07	6.32	4.12
2020.08.20	1750	HSL	250	4.96	20.00	19.84	-0.80
2020.08.17	1900	HSL	250	5.16	20.60	20.64	0.19
2020.08.18	2300	HSL	250	5.76	23.00	23.04	0.17
2020.08.26	2450	HSL	250	6.13	24.10	24.52	1.74
2020.08.23	2600	HSL	250	6.22	24.50	24.88	1.55
2020.08.27	5250	HSL	100	2.23	22.50	22.3	-0.89
2020.08.31	5250	HSL	100	2.15	22.50	21.5	-4.44
2020.08.28	5600	HSL	100	2.28	23.10	22.8	-1.30
2020.08.28	5750	HSL	100	2.29	22.60	22.9	1.33

Note: System checks the specific test data please see Annex C.

9. EUT Testing Position

This EUT was tested in six different positions. They are right cheek/right tilted/left cheek/left tilted for head, Front/Back of the EUT with phantom 10 mm gap, as illustrated below, please refer to Appendix B for the test setup photos.

9.1. Handset Reference Points

The vertical centre line passes through two points on the front side of the handset – the midpoint of the width w_t of the handset at the level of the acoustic output, and the midpoint of the width w_b of the bottom of the handset.

The horizontal line is perpendicular to the vertical centre line and passes the center of the acoustic output. The horizontal line is also tangential to the handset at point A.

The two lines intersect at point A. Note that for many handsets, point A coincides with the center of the acoustic output; however, the acoustic output may be located elsewhere on the horizontal line. Also note that the vertical centre line is not necessarily parallel to the front face of the handset, especially for clamshell handsets, handsets with flip covers, and other irregularly shaped handsets.



Fig. 9.1 Illustration for Cheek Position

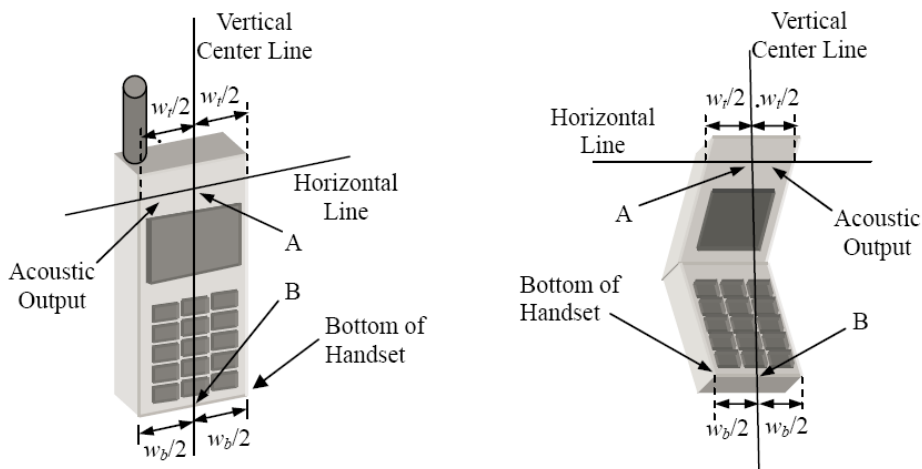


Fig. 9.2 Illustration for Handset Vertical and Horizontal Reference Lines

9.2. Positioning for Cheek / Touch

To position the device with the vertical center line of the body of the device and the horizontal line crossing the center piece in a plane parallel to the sagittal plane of the phantom. While maintaining the device in this plane, align the vertical center line with the reference plane containing the three ear and mouth reference point (M: Mouth, RE: Right Ear and LE: Left Ear) and align the center of the ear piece with the line RE-LE.

To move the device towards the phantom with the ear piece aligned with the line LE-RE until the phone touched the ear. While maintaining the device in the reference plane and maintaining the phone contact with the ear, move the bottom of the phone until any point on the front side is in contact with the cheek of the phantom or until contact with the ear is lost (see below figure)

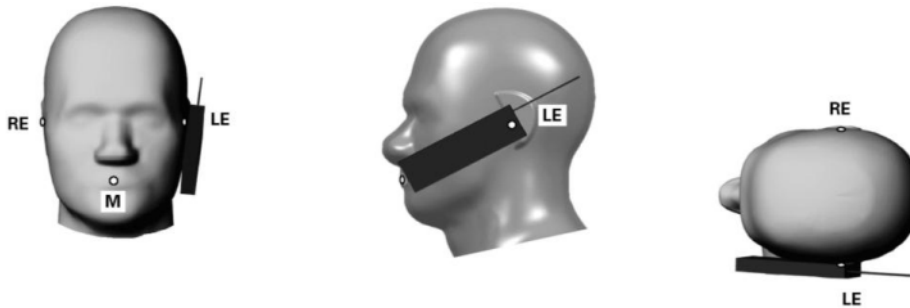


Fig 9.3 Illustration for Cheek Position

9.3. Positioning for Ear / 15° Tilt

To position the device in the “cheek” position described above.

While maintaining the device the reference plane described above and pivoting against the ear, moves it outward away from the mouth by an angle of 15 degrees or until contact with the ear is lost (see figure below).

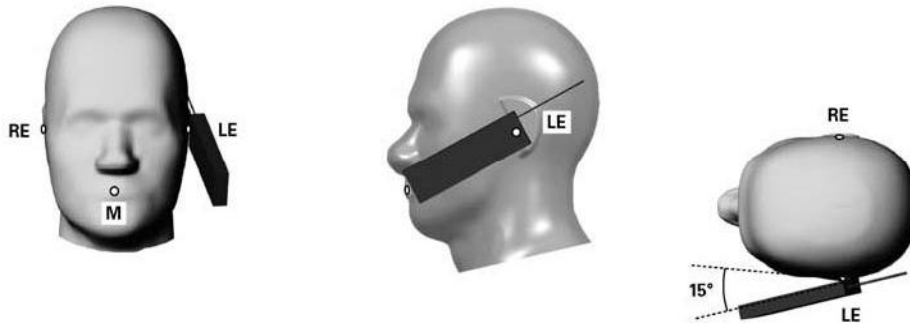


Fig 9.4 Illustration for Tilted Position

9.4. SAR Evaluations near the Mouth/Jaw Regions of the SAM Phantom

Antennas located near the bottom of a phone may require SAR measurements around the mouth and jaw regions of the SAM head phantom. This typically applies to clam-shell style phones that are generally longer in the unfolded normal use positions or to certain older style long rectangular phones.

Under these circumstances, the following procedures apply, adopted from the FCC guidance on SAR handsets document FCC KDB Publication 648474 D04v01r03. The SAR required in these regions of SAM should be measured using a flat phantom. The phone should be positioned with a separation distance of 4 mm between the ear reference point (ERP) and the outer surface of the flat phantom shell. While maintaining this distance at the ERP location, the low (bottom) edge of the phone should be lowered from the phantom to establish the same separation distance between the peak SAR locations identified by the truncated partial SAR distribution measured with the SAM phantom. The distance from the peak SAR location to the phone is determined by the straight line passing perpendicularly through the phantom surface. When it is not feasible to maintain 4 mm separation at the ERP while also establishing the required separation at the peak SAR location, the top edge of the phone will be allowed to touch the phantom with a separation < 4 mm at the ERP. The phone should not be tilted to the left or right while placed in this inclined position to the flat phantom.

9.5. Body-worn Configurations

The body-worn configurations shall be tested with the supplied accessories (belt-clips, holsters, etc.) attached to the device in normal use configuration.

For body-worn and other configurations a flat phantom shall be used which is comprised of material with electrical properties similar to the corresponding tissues.

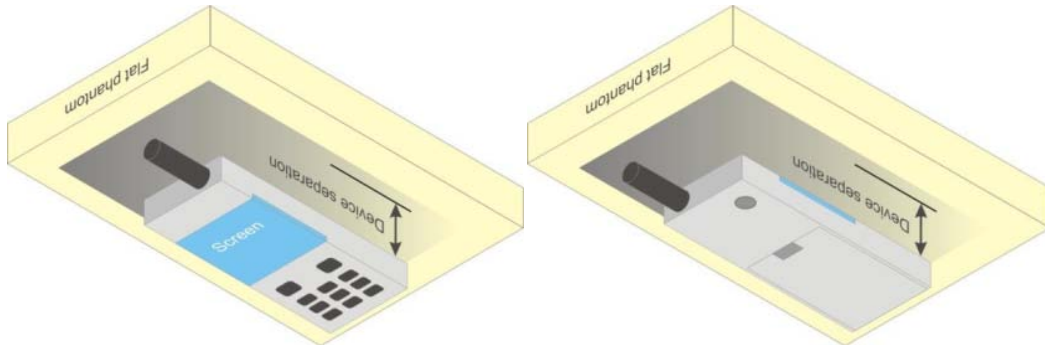


Fig 9.5 Illustration for Body Worn Position

9.6. Hotspot Mode Exposure Position Conditions

For handsets that support hotspot mode operations, with wireless router capabilities and various web browsing functions, the relevant hand and body exposure conditions are tested according to the hotspot SAR procedures in KDB 941225. A test separation distance of 10 mm is required between the phantom and all surfaces and edges with a transmitting antenna located within 25 mm from that surface or edge. When the form factor of a handset is smaller than 9 cm x 5 cm, a test separation distance of 5 mm (instead of 10 mm) is required for testing hotspot mode. When the separation distance required for body-worn accessory testing is larger than or equal to that tested for hotspot mode, in the same wireless mode and for the same surface of the phone, the hotspot mode SAR data may be used to support body-worn accessory SAR compliance for that particular configuration (surface).

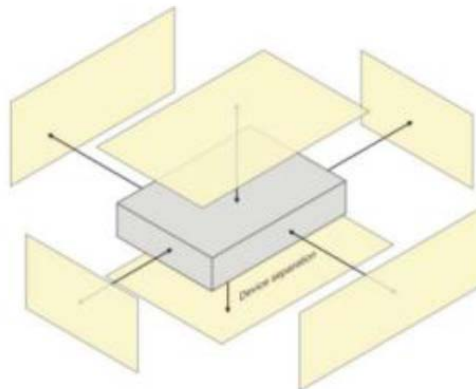


Fig 9.6 Illustration for Hotspot Position

10. Measurement Procedures

The measurement procedures are as follows:

<Conducted power measurement>

- (a) For WWAN power measurement, use base station simulator to configure EUT WWAN transmission in conducted connection with RF cable, at maximum power in each supported wireless interface and frequency band.
- (b) Read the WWAN RF power level from the base station simulator.
- (c) For WLAN/BT power measurement, use engineering software to configure EUT WLAN/BT continuously transmission, at maximum RF power in each supported wireless interface and frequency band.
- (d) Connect EUT RF port through RF cable to the power meter, and measure WLAN/BT output power.

<SAR measurement>

- (a) Use base station simulator to configure EUT WWAN transmission in radiated connection, and engineering software to configure EUT WLAN/BT continuously transmission, at maximum RF power, in the highest power channel.
- (b) Place the EUT in the positions as Appendix D demonstrates.
- (c) Set scan area, grid size and other setting on the DASY software.
- (d) Measure SAR results for the highest power channel on each testing position.
- (e) Find out the largest SAR result on these testing positions of each band.
- (f) Measure SAR results for other channels in worst SAR testing position if the reported SAR of highest power channel is larger than 0.8 W/kg.

According to the test standard, the recommended procedure for assessing the peak spatial-average SAR value consists of the following steps:

- (a) Power reference measurement.
- (b) Area scan.
- (c) Zoom scan.
- (d) Power drift measurement.

10.1. Spatial Peak SAR Evaluation

The procedure for spatial peak SAR evaluation has been implemented according to the test standard. It can be conducted for 1g and 10g, as well as for user-specific masses. The DASY software includes all numerical procedures necessary to evaluate the spatial peak SAR value. The base for the evaluation is a "cube" measurement. The measured volume must include the 1g and 10g cubes with the highest averaged SAR values. For that purpose, the center of the measured volume is aligned to the interpolated peak SAR value of a previously performed area



scan.

The entire evaluation of the spatial peak values is performed within the post-processing engine (SEMCAD). The system always gives the maximum values for the 1g and 10g cubes. The algorithm to find the cube with highest averaged SAR is divided into the following stages:

- (a) Extraction of the measured data (grid and values) from the Zoom Scan.
- (b) Calculation of the SAR value at every measurement point based on all stored data (A/D values and measurement parameters).
- (c) Generation of a high-resolution mesh within the measured volume.
- (d) Interpolation of all measured values from the measurement grid to the high-resolution grid.
- (e) Extrapolation of the entire 3-D field distribution to the phantom surface over the distance from sensor to surface.
- (f) Calculation of the averaged SAR within masses of 1g and 10g.

10.2. Power Reference Measurement

The Power Reference Measurement and Power Drift Measurements are for monitoring the power drift of the device under test in the batch process. The minimum distance of probe sensors to surface determines the closest measurement point to phantom surface. This distance cannot be smaller than the distance of sensor calibration points to probe tip as defined in the probe properties.

10.3. Area Scan Procedures

Area scans are defined prior to the measurement process being executed with a user defined variable spacing between each measurement point (integral) allowing low uncertainty measurements to be conducted. Scans defined for FCC applications utilize a 10mm² step integral, with 1mm interpolation used to locate the peak SAR area used for zoom scan assessments.

When an Area Scan has measured all reachable points, it computes the field maxima founding the scanned area, within a range of the global maximum. The range (in dB) is specified in the standards for compliance testing. For example, a 2 dB range is required in IEEE1528-2003.



10.4. Zoom Scan Procedures

Zoom Scans are used to assess the peak spatial SAR values within a cubic averaging volume containing 1 g and 10 g of simulated tissue. A density of 1000 kg/m³ is used to represent the head and body tissue density and not the phantom liquid density, in order to be consistent with the definition of the liquid dielectric properties, i.e. the side length of the 1g cube is 10mm, with the side length of the 10 g cube 21,5mm. The zoom scan integer steps can be user defined so as to reduce uncertainty, but normal practice for typical test applications utilize a physical step of 5x5x7 (8mmx8mmx5mm) providing a volume of 32mm in the X & Y axis, and 30mm in the Z axis.

10.5. SAR Averaged Methods

In DASy, the interpolation and extrapolation are both based on the modified Quadratic Sheppard's method. The interpolation scheme combines a least-square fitted function method and a weighted average method which are the two basic types of computational interpolation and approximation.

Extrapolation routines are used to obtain SAR values between the lowest measurement points and the inner phantom surface. The extrapolation distance is determined by the surface detection distance and the probe sensor offset. The uncertainty increases with the extrapolation distance. To keep the uncertainty within 1% for the 1 g and 10 g cubes, the extrapolation distance should not be larger than 5 mm.

10.6. Power Drift Monitoring

All SAR testing is under the DUT install full charged battery and transmit maximum output power. In DASy measurement software, the power reference measurement and power drift measurement procedures are used for monitoring the power drift of DUT during SAR test. Both these procedures measure the field at a specified reference position before and after the SAR testing. The software will calculate the field difference in dB. If the power drift more than 5%, the SAR will be retested.

11. SAR Test Procedure

11.1. General Scan Requirements

Probe boundary effect error compensation is required for measurements with the probe tip closer than half a probe tip diameter to the phantom surface. Both the probe tip diameter and sensor offset distance must satisfy measurement protocols; to ensure probe boundary effect errors are minimized and the higher fields closest to the phantom surface can be correctly measured and extrapolated to the phantom surface for computing 1-g SAR. Tolerances of the post-processing algorithms must be verified by the test laboratory for the scan resolutions used in the SAR measurements, according to the reference distribution functions specified in IEEE Std. 1528-2013.

		≤ 3 GHz	> 3 GHz
Maximum distance from closest measurement point (geometric center of probe sensors) to phantom surface		5 mm \pm 1 mm	$\frac{1}{2} \cdot \delta \cdot \ln(2)$ mm \pm 0.5 mm
Maximum probe angle from probe axis to phantom surface normal at the measurement location		30° \pm 1°	20° \pm 1°
Maximum area scan spatial resolution: ΔX_{Area} , ΔY_{Area}		≤ 2 GHz: ≤ 15 mm 2 – 3 GHz: ≤ 12 mm	3 – 4 GHz: ≤ 12 mm 4 – 6 GHz: ≤ 10 mm
		When the x or y dimension of the test device, in the measurement plane orientation, is smaller than the above, the measurement resolution must be \leq the corresponding x or y dimension of the test device with at least one measurement point on the test device.	
Maximum zoom scan spatial resolution: ΔX_{Zoom} , ΔY_{Zoom}		≤ 2 GHz: ≤ 8 mm 2 – 3 GHz: ≤ 5 mm*	3 – 4 GHz: ≤ 5 mm* 4 – 6 GHz: ≤ 4 mm*
Maximum zoom scan spatial resolution, normal to phantom surface	uniform grid: $\Delta Z_{Zoom}(n)$	≤ 5 mm	3 – 4 GHz: ≤ 4 mm 4 – 5 GHz: ≤ 3 mm 5 – 6 GHz: ≤ 2 mm
	graded grid $\Delta Z_{Zoom}(1)$: between 1 st two points closest to phantom surface	≤ 4 mm	3 – 4 GHz: ≤ 3 mm 4 – 5 GHz: ≤ 2.5 mm 5 – 6 GHz: ≤ 2 mm
	$\Delta Z_{Zoom}(n>1)$: between subsequent points	$\leq 1.5 \cdot \Delta Z_{Zoom}(n-1)$ mm	
Minimum zoom scan volume	x, y, z	≥ 30 mm	3 – 4 GHz: ≥ 28 mm 4 – 5 GHz: ≥ 25 mm 5 – 6 GHz: ≥ 22 mm
Note: δ is the penetration depth of a plane-wave at normal incidence to the tissue medium; see IEEE Std 1528-2013 for details. * When zoom scan is required and the <i>reported</i> SAR from the <i>area scan based 1-g SAR estimation</i> procedures of KDB Publication 447498 is ≤ 1.4 W/kg, ≤ 8 mm, ≤ 7 mm and ≤ 5 mm zoom scan resolution may be applied, respectively, for 2 GHz to 3 GHz, 3 GHz to 4 GHz and 4 GHz to 6 GHz.			

11.2. Test Procedure

The Following steps are used for each test position

1. Establish a call with the maximum output power with a base station simulator. The connection between the mobile and the base station simulator is established via air interface.
2. Measurement of the local E-field value at a fixed location. This value serves as a reference value for calculating a possible power drift.
3. Measurement of the SAR distribution with a grid of 8 to 16mm * 8 to 16 mm and a constant distance to the inner surface of the phantom. Since the sensors cannot directly measure at the inner phantom surface, the values between the sensors and the inner phantom surface are extrapolated. With these values the area of the maximum SAR is calculated by an interpolation scheme.
4. Around this point, a cube of 30 * 30 * 30 mm or 32 * 32 * 32 mm is assessed by measuring 5 or 8 * 5 or 8*4 or 5 mm. With these data, the peak spatial-average SAR value can be calculated.

11.3. Description of Interpolation/Extrapolation Scheme

The local SAR inside the phantom is measured using small dipole sensing elements inside a probe body. The probe tip must not be in contact with the phantom surface in order to minimize measurements errors, but the highest local SAR will occur at the surface of the phantom.

An extrapolation is using to determinate this highest local SAR values. The extrapolation is based on a fourth-order least-square polynomial fit of measured data. The local SAR value is then extrapolated from the liquid surface with a 1mm step.

The measurements have to be performed over a limited time (due to the duration of the battery) so the step of measurement is high. It could vary between 5 and 8 mm. To obtain an accurate assessment of the maximum SAR averaged over 10 grams and 1 gram requires a very fine resolution in the three dimensional scanned data array.

11.4. Wireless Router

Some battery-operated handsets have the capability to transmit and receive user through simultaneous transmission of WIFI simultaneously with a separate licensed transmitter. The FCC has provided guidance in FCC KDB Publication 941225 D06 v02r01 where SAR test considerations for handsets ($L \times W \geq 9 \text{ cm} \times 5 \text{ cm}$) are based on a composite test separation distance of 10 from the front, back and edges of the device containing transmitting antennas within



2.5cm of their edges, determined from general mixed use conditions for this type of devices. Since the hotspot SAR results may overlap with the body-worn accessory SAR requirements, the more conservative configurations can be considered, thus excluding some body-worn accessory SAR tests.

When the user enables the personal wireless router functions for the handset, actual operations include simultaneous transmission of both the WIFI transmitter and another licensed transmitter. Both transmitters often do not transmit at the same transmitting frequency and thus cannot be evaluated for SAR under actual use conditions due to the limitations of the SAR assessment probes. Therefore, SAR must be evaluated for each frequency transmission and mode separately and spatially summed with the WIFI transmitter according to FCC KDB Publication 447498 D01v06 publication procedures. The "Portable Hotspot" feature on the handset was NOT activated during SAR assessments, to ensure the SAR measurements were evaluated for a single transmission frequency RF signal at a time.



12. SAR Test Configuration

<GSM Mode>

A summary of these settings are illustrated below:

For GSM850 frequency band, the power control is set to 5 for GSM/GPRS mode (GSMK-CS1) and set to 8 for EDGE mode (MCS5); For GSM1900 frequency band, the power control is set to 0 for GSM/GPRS mode (GSMK-CS1) and set to 2 for EDGE mode (MCS5).

1. Per KDB 447498 D01v06, the maximum output power channel is used for SAR testing and for further SAR test reduction.
2. Per KDB 941225 D01v03r01, SAR test reduction for GSM / GPRS / EDGE modes is determined by the source-based time-averaged output power including tune-up tolerance. The mode with highest specified time-averaged output power should be tested for SAR compliance in the applicable exposure conditions. For modes with the same specified maximum output power and tolerance, the higher number time-slot configuration should be tested. Therefore, the GPRS (4Tx slots) for GSM850/GSM1900 is considered as the primary mode.
3. Other configurations of GSM / GPRS / EDGE are considered as secondary modes.

Timeslot consignations:

Remark:

1. The frame-averaged power is linearly reported the maximum burst averaged power over 8 time slots. The calculated method are shown as below:
The duty cycle "x" of different time slots as below:
1 TX slot is 1/8, 2 TX slots is 2/8, 3 TX slots is 3/8 and 4 TX slots is 4/8
Based on the calculation formula:
Frame-averaged power = Burst averaged power + 10 log (x)
So,
Frame-averaged power (1 TX slot) = Burst averaged power (1 TX slot)– 9.03
Frame-averaged power (2 TX slots) = Burst averaged power (2 TX slots)– 6.02
Frame-averaged power (3 TX slots) = Burst averaged power (3 TX slots)– 4.26
Frame-averaged power (4 TX slots) = Burst averaged power (4 TX slots) – 3.01
2. CS1 coding scheme was used in GPRS conducted power measurements and SAR testing, MCS5 coding scheme was used in EGPRS conducted power measurements and SAR testing (if necessary).

No. of Slots:	Slot 1	Slot 2	Slot 3	Slot 4
Slot Consignation:	1Up4Down	2Up3Down	3Up2Down	4Up1Down
Duty Cycle:	1:8.3	1:4.15	1:2.77	1:2.08
Correct Factor:	-9.03dB	-6.02dB	-4.26dB	-3.01dB



<WCDMA Mode>

Summary of UMTS conducted power measurement:

1. The 3G SAR test reduction procedure is applied, when the maximum output power and tune-up tolerance specified for production units in a secondary mode is $\leq \frac{1}{4}$ dB higher than the primary mode, SAR measurement is not required for the secondary mode.
2. The following tests were conducted according to the test requirements outlines in 3GPP TS 34.121 specification.
3. The procedures in KDB 941225 D01v03r01 are applied for 3GPP Rel. 6 HSPA to configure the device in the required sub-test mode(s) to determine SAR test exclusion.
4. For HSPA+ devices supporting 16 QAM in the uplink, power measurements procedure is according to the configurations in Table C.11.1.4 of 3GPP TS 34.121-1.
5. Per KDB 941225 D01v03r01, RMC 12.2kbps setting is used to evaluate SAR. The maximum output power and tune-up tolerance specified for production units in HSDPA / HSUPA / DC-HSDPA / HSPA+ is $\leq \frac{1}{4}$ dB higher than RMC 12.2Kbps or when the highest reported SAR of the RMC12.2Kbps is scaled by the ratio of specified maximum output power and tune-up tolerance of HSDPA / HSUPA / DC-HSDPA / HSPA+ to RMC12.2Kbps and the adjusted SAR is ≤ 1.2 W/kg, SAR measurement is not required for HSDPA / HSUPA / DC-HSDPA / HSPA+, and according to the following RF output power, the output power results of the secondary modes (HSDPA / HSUPA / DC-HSDPA / HSPA+) are less than $\frac{1}{4}$ dB higher than the primary modes; therefore, SAR measurement is not required for HSDPA / HSUPA / DC-HSDPA / HSPA+.
6. A fixed level power reduction is applied for WCDMA Band II when handset open Hotspot mode, the power reduction triggered.

HSDPA Setup Configuration

Sub-test	β_c	β_d	β_d (SF)	β_c/β_d	$\beta_{hr}^{(1)}$	CM (dB) ⁽²⁾
1	2/15	15/15	64	2/15	4/15	0.0
2	12/15 ⁽³⁾	15/15 ⁽³⁾	64	12/15 ⁽³⁾	24/15	1.0
3	15/15	8/15	64	15/8	30/15	1.5
4	15/15	4/15	64	15/4	30/15	1.5

Note 1: Δ_{ACK} , Δ_{NACK} and $\Delta_{CQI} = 8 \Leftrightarrow A_{hr} = \beta_{hr}/\beta_c = 30/15 \Leftrightarrow \beta_{hr} = 30/15 * \beta_c$
 Note 2: CM = 1 for $\beta_c/\beta_d = 12/15$, $\beta_{hr}/\beta_c = 24/15$.
 Note 3: For subtest 2 the β_c/β_d ratio of 12/15 for the TFC during the measurement period (TF1, TF0) is achieved by setting the signaled gain factors for the reference TFC (TF1, TF1) to $\beta_c = 11/15$ and $\beta_d = 15/15$.

HSUPA Setup Configuration

Sub-test	β_c	β_d	β_d (SF)	β_c/β_d	$\beta_{hs}^{(1)}$	β_{ec}	β_{ed}	β_{ed} (SF)	β_{ed} (codes)	CM ⁽²⁾ (dB)	MPR (dB)	AG ⁽⁴⁾ Index	E-TFCI
1	11/15 ⁽³⁾	15/15 ⁽³⁾	64	11/15 ⁽³⁾	22/15	209/225	1039/225	4	1	1.0	0.0	20	75
2	6/15	15/15	64	6/15	12/15	12/15	94/75	4	1	3.0	2.0	12	67
3	15/15	9/15	64	15/9	30/15	30/15	$\beta_{ed1}: 47/15$ $\beta_{ed2}: 47/15$	4	2	2.0	1.0	15	92
4	2/15	15/15	64	2/15	4/15	2/15	56/75	4	1	3.0	2.0	17	71
5	15/15 ⁽⁴⁾	15/15 ⁽⁴⁾	64	15/15 ⁽⁴⁾	30/15	24/15	134/15	4	1	1.0	0.0	21	81

Note 1: $\Delta_{ACK}, \Delta_{NACK}$ and $\Delta_{CQI} = 8 \Leftrightarrow A_{hs} = \beta_{hs}/\beta_c = 30/15 \Leftrightarrow \beta_{hs} = 30/15 * \beta_c$.

Note 2: CM = 1 for $\beta_c/\beta_d = 12/15, \beta_{hs}/\beta_c = 24/15$. For all other combinations of DPDCH, DPCCH, HS-DPCCH, E-DPDCH and E-DPCCH the MPR is based on the relative CM difference.

Note 3: For subtest 1 the β_c/β_d ratio of 11/15 for the TFC during the measurement period (TF1, TF0) is achieved by setting the signaled gain factors for the reference TFC (TF1, TF1) to $\beta_c = 10/15$ and $\beta_d = 15/15$.

Note 4: For subtest 5 the β_c/β_d ratio of 15/15 for the TFC during the measurement period (TF1, TF0) is achieved by setting the signaled gain factors for the reference TFC (TF1, TF1) to $\beta_c = 14/15$ and $\beta_d = 15/15$.

Note 5: Testing UE using E-DPDCH Physical Layer category 1 Sub-test 3 is not required according to TS 25.306 Table 5.1g.

Note 6: β_{ed} cannot be set directly; it is set by Absolute Grant Value.

HSPA+ 3GPP release 7 (uplink category 7) 16QAM Setup Configuration:
Table C.11.1.4: β values for transmitter characteristics tests with HS-DPCCH and E-DCH with 16QAM

Sub-test	β_c (Note 3)	β_d	β_{hs} (Note 1)	β_{ec}	β_{ed} (2xSF2) (Note 4)	β_{ed} (2xSF4) (Note 4)	CM (dB) (Note 2)	MPR (dB) (Note 2)	AG Index (Note 4)	E-TFCI (Note 5)	E-TFCI (boost)
1	1	0	30/15	30/15	$\beta_{ed1}: 30/15$ $\beta_{ed2}: 30/15$	$\beta_{ed3}: 24/15$ $\beta_{ed4}: 24/15$	3.5	2.5	14	105	105

Note 1: $\Delta_{ACK}, \Delta_{NACK}$ and $\Delta_{CQI} = 30/15$ with $\beta_{hs} = 30/15 * \beta_c$.

Note 2: CM = 3.5 and the MPR is based on the relative CM difference, MPR = MAX(CM-1,0).

Note 3: DPDCH is not configured, therefore the β_c is set to 1 and $\beta_d = 0$ by default.

Note 4: β_{ed} can not be set directly; it is set by Absolute Grant Value.

Note 5: All the sub-tests require the UE to transmit 2SF2+2SF4 16QAM EDCH and they apply for UE using E-DPDCH category 7. E-DCH TTI is set to 2ms TTI and E-DCH table index = 2. To support these E-DCH configurations DPDCH is not allocated. The UE is signaled to use the extrapolation algorithm.

**DC-HSDPA Setup Configuration**

The following tests were completed according to procedures in section 7.3.13 of 3GPP TS34.108 v9.5.0. A summary of these settings are illustrated below:

Downlink Physical Channels are set as per 3GPP TS34.121-1 v9.0.0 E.5.

Table E.5.0: Levels for HSDPA connection setup

Parameter During Connection setup	Unit	Value
P-CPICH_Ec/Ior	dB	-10
P-CCPCH and SCH_Ec/Ior	dB	-12
PICH_Ec/Ior	dB	-15
HS-PDSCH	dB	off
HS-SCCH_1	dB	off
DPCH_Ec/Ior	dB	-5
OCNS_Ec/Ior	dB	-3.1

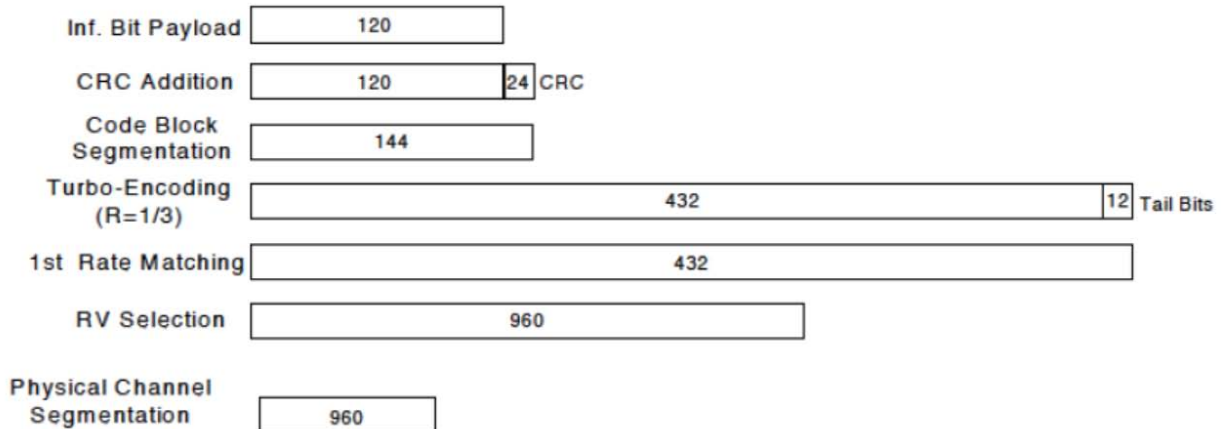
Call is set up as per 3GPP TS34.108 v9.5.0 sub clause 7.3.13

The configurations of the fixed reference channels for HSDPA RF tests are described in 3GPP TS 34.121, annex C for FDD and 3GPP TS 34.122.

Table C.8.1.12: Fixed Reference Channel H-Set 12

Parameter	Unit	Value
Nominal Avg. Inf. Bit Rate	kbps	60
Inter-TTI Distance	TTI's	1
Number of HARQ Processes	Processes	6
Information Bit Payload (N_{INF})	Bits	120
Number Code Blocks	Blocks	1
Binary Channel Bits Per TTI	Bits	960
Total Available SML's in UE	SML's	19200
Number of SML's per HARQ Proc.	SML's	3200
Coding Rate		0.15
Number of Physical Channel Codes	Codes	1
Modulation		QPSK
Note 1: The RMC is intended to be used for DC-HSDPA mode and both cells shall transmit with identical parameters as listed in the table. Note 2: Maximum number of transmission is limited to 1, i.e., retransmission is not allowed. The redundancy and constellation version 0 shall be used.		

CCC


Figure C.8.19: Coding rate for Fixed reference Channel H-Set 12 (QPSK)



<CDMA Mode>

1xEV-DO Rev. B

Call box setup procedure

1xEV-DO Release B

1> CMW 500 Signal Generator > 1xEV-DO Taskbar Enable

2> CMW 500 1xEV-DO Signaling Configuration Window >

3> 1xEV-DO Signaling On Window:

Under Access Network Control:

Band Class: BC0: US Cellular

RF Channel: 31

1xEV-DO Power: -70 dBm

4> 1xEV-DO Signaling Configuration Window

Under RF Frequency Band / Channel: Enter Ch. Frequency

➤ Under Carrier Configuration: RF Frequency
For Two Carriers: Low Channel (1013)

	<u>RF Channel</u>	<u>RF Channel Offset</u>
Carrier [0]	31	0
Carrier [1]	1013	982

➤ Under Carrier Configuration: RF Pilot

	<u>Carrier Sector</u>	<u>Active on AN</u>	<u>Assigned to AT</u>
Pilot [0]	C0/S0	✓	✓
	CA/S1	✓	✓

For Three Carriers: Low Channel (1013)

	<u>RF Channel</u>	<u>RF Channel Offset</u>
Carrier [0]	72	0
Carrier [1]	31	-41
Carrier [2]	1013	941

➤ Under Carrier Configuration: RF Pilot

	<u>Carrier Sector</u>	<u>Active on AN</u>	<u>Assigned to AT</u>
Pilot [0]	C0/S0	✓	✓
Pilot [1]	C1/S1	✓	✓
Pilot [2]	C2/S2	✓	✓



<LTE Mode>

LTE Target MPR level

The device implements maximum power reduction per 3GPP 36.101 requirements where the MPR target is as below table. The MPR settings are implemented configured into firmware and cannot be disabled by the end user or LTE carrier network.

Modulation	Channel bandwidth / Transmission bandwidth configuration [RB]						MPR	3GPP
	1.4	3.0	5	10	15	20	Target	MPR
	MHz	MHz	MHz	MHz	MHz	MHz	(dB)	(dB)
QPSK	> 5	> 4	> 8	> 12	> 16	> 18	1	≤ 1
16 QAM	≤ 5	≤ 4	≤ 8	≤ 12	≤ 16	≤ 18	1	≤ 1
64 QAM	> 5	> 4	> 8	> 12	> 16	> 18	2	≤ 2

Note: The measurement result showed some difference from the target MPR level, due to expected 0.5dB measurement tolerance

LTE Bands

LTE Bands	Channel bandwidth / Transmission bandwidth configuration [RB]					
	1.4	3.0	5	10	15	20
	MHz	MHz	MHz	MHz	MHz	MHz
2	v	v	v	v	v	v
4	v	v	v	v	v	v
5	v	v	v	v	N/A	N/A
7	N/A	N/A	v	v	v	v
38	N/A	N/A	v	v	v	v
40	N/A	N/A	v	v	N/A	N/A
41	N/A	N/A	v	v	v	v

Note:

1. Per KDB 941225 D05v02r05, when a properly configured base station simulator is used for the SAR and power measurements, spectrum plots for each RB allocation and offset configuration is not required.
2. Per KDB 941225 D05v02r05, start with the largest channel bandwidth and measure SAR for QPSK with 1 RB allocation, using the RB offset and required test channel combination with the highest maximum output power for RB offsets at the upper edge, middle and lower edge of each required test channel.
3. Per KDB 941225 D05v02r05, 50% RB allocation for QPSK SAR testing follows 1RB QPSK allocation procedure.
4. Per KDB 941225 D05v02r05, for QPSK with 100% RB allocation, SAR is not required when the highest maximum output power for 100 % RB allocation is less than the highest maximum output power in 50% and 1 RB allocations and the highest reported SAR for 1 RB and 50% RB allocation are ≤ 0.8 W/kg. Otherwise, SAR is measured for the highest output power channel;



and if the reported SAR is > 1.45 W/kg, the remaining required test channels must also be tested.

5. Per KDB 941225 D05v02r05, 16QAM/64QAM output power for each RB allocation configuration is $>$ not $\frac{1}{2}$ dB higher than the same configuration in QPSK and the reported SAR for the QPSK configuration is ≤ 1.45 W/kg; Per KDB941225 D05v02r05, 16QAM/64QAM SAR testing is not required.
6. Per KDB 941225 D05v02r05, smaller bandwidth output power for each RB allocation configuration is $>$ not $\frac{1}{2}$ Db higher than the same configuration in the largest supported bandwidth, and the reported SAR for the largest supported band width is ≤ 1.45 W/kg; Per KDB 941225 D05v02r05, smaller bandwidth SAR testing is not required.
7. For LTE B4 / B5 / B7 / B17 the maximum bandwidth does not support three non-overlapping channels, per KDB941225 D05v02r05, when a device supports overlapping channel assignment in a channel bandwidth configuration, the middle channel of the group of overlapping channels should be selected for testing.
8. LTE band 2 / 12 SAR test was covered by Band 25 / 17; according to April 2015 TCB workshop, SAR test for overlapping LTE bands can be reduced if
 - a. The maximum output power, including tolerance, for the smaller band is \leq the larger band to qualify for the SAR test exclusion.
 - b. The channel bandwidth and other operating parameters for the smaller band are fully supported by the larger band.
9. According to 2017 TCB workshop, for 64 QAM and 16 QAM should be verified by checking the signal constellation with a call box to avoid incorrect maximum power levels due to MPR and other requirements associated with signal modulation, and the following figure is taken from the "Fundamental Measurement >> Modulation Analysis >>constellation" mode of the device connect to the CMW500 base station, therefore, the device 64QAM and 16QAMsignal modulation are correct. Identify if Maximum Power Reduction (MPR) is optional or mandatory, i.e. built-in by design: only mandatory MPR may be considered during SAR testing, when the maximum output power is permanently limited by the MPR implemented within the UE; and only for the applicable RB (resource block) configurations specified in LTE standards: b) A-MPR (additional MPR) must be disabled.
10. Per KDB 447498 D01v06, the reported SAR is the measured SAR value adjusted for maximum tune-up tolerance.
 - a. Tune-up scaling Factor = tune-up limit power (mW) / EUT RF power (mW), where tune-up limit is the maximum rated power among all production units.
 - b. For SAR testing of WLAN signal with non-100% duty cycle, the measured SAR is scaled-up by the duty cycle scaling factor which is equal to "1/(duty cycle)"
 - c. For WWAN: Reported SAR(W/kg)= Measured SAR(W/kg)*Tune-up Scaling Factor
 - d. For WLAN/Bluetooth: Reported SAR(W/kg)= Measured SAR(W/kg)* Duty Cycle scaling factor * Tune-up scaling factor



- e. For TDD LTE SAR measurement, the duty cycle 1:1.59 (62.9 %) was used perform testing and considering the theoretical duty cycle of 63.3% for extended cyclic prefix in the uplink, and the theoretical duty cycle of 62.9% for normal cyclic prefix in uplink, a scaling factor of extended cyclic prefix $63.3\%/62.9\% = 1.006$ is applied to scale-up the measured SAR result. The Reported TDD LTE SAR = measured SAR (W/kg)* Tune-up Scaling Factor* scaling factor for extended cyclic prefix.
11. Per KDB 447498 D01v06, for each exposure position, testing of other required channels within the operating mode of a frequency band is not required when the reported 1-g or 10-g SAR for the mid-band or highest output power channel is ≤ 0.8 W/kg or 2.0 W/kg, for 1-g or 10-g respectively, when the transmission band is ≤ 100 MHz ≤ 0.6 W/kg or 1.5 W/kg, for 1-g or 10-g respectively, when the transmission band is between 100 MHz and 200 MHz ≤ 0.4 W/kg or 1.0 W/kg, for 1-g or 10-g respectively, when the transmission band is ≥ 200 MHz
12. Per KDB 865664 D01v01r04, for each frequency band, repeated SAR measurement is required only when the measured SAR is ≥ 0.8 W/kg.
13. Per KDB 648474 D04v01r03, when the reported SAR for a body-worn accessory measured without a headset connected to the handset is ≤ 1.2 W/kg, SAR testing with a headset connected to the handset is not required.

<WLAN 2.4GHz>

1. SAR is measured for 2.4 GHz 802.11b DSSS using either the fixed test position or, when applicable, the initial test position procedure. SAR test reduction is determined according to the following:
- When the reported SAR of the highest measured maximum output power channel for the exposure configuration is ≤ 0.8 W/kg, no further SAR testing is required for 802.11b DSSS in that exposure configuration.
 - When the reported SAR is > 0.8 W/kg, SAR is required for that position using the next highest measured output power channel. When any reported SAR is > 1.2 W/kg, SAR is required for the third channel; i.e., all channels require testing.
2. 2.4 GHz 802.11 g/n OFDM are additionally evaluated for SAR if the highest reported SAR for 802.11b, adjusted by the ratio of the OFDM to DSSS specified maximum output power, is > 1.2 W/kg. When SAR is required for OFDM modes in 2.4 GHz band, the Initial Test configuration Procedures should be followed.
3. For held-to-ear and hotspot operations, the initial test position procedures were applied. The test position with the highest extrapolated peak SAR will be used as the initial test position. When reported SAR for the initial test position is ≤ 0.4 W/kg, no additional testing for the remaining test positions was required. Otherwise, SAR is evaluated at the subsequent highest peak SAR positions until the reported SAR result is ≤ 0.8 W/kg or all test positions are measured.
4. Justification for test configurations for WLAN per KDB Publication 248227 D02DR02-41929 for 2.4 GHz WI-FI single transmission chain operations, the highest measured maximum output



power channel for DSSS was selected for SAR measurement. SAR for OFDM modes (2.4 GHz/802.11g/n) was not required due to the maximum allowed powers and the highest reported DSSSSAR.

5. A fixed level power reduction is applied for WiFi when handset operates "held to the body" condition or "held to the ear" condition, the power reduction triggered by audio receiver detection and call establish status.
6. Per KDB 248227 D01v02r02, In the 2.4 GHz band, separate SAR procedures are applied to DSSS and OFDM configurations to simplify DSSS test requirements. SAR is not required for the following 2.4 GHz OFDM conditions:
 - a. When KDB Publication 447498 SAR test exclusion applies to the OFDM configuration.
 - b. When the highest reported SAR for DSSS is adjusted by the ratio of OFDM to DSSS specified maximum output power and the adjusted SAR is ≤ 1.2 W/kg.

<WLAN 5GHz>

A) U-NII-1 and U-NII-2A Bands

For devices that operate in only one of the U-NII-1 and U-NII-2A bands, the normally required SAR procedures for OFDM configurations are applied. For devices that operate in both U-NII bands using the same transmitter and antenna(s), SAR test reduction is determined according to the following:

1. When the same maximum output power is specified for both bands, begin SAR measurement in U-NII-2A band by applying the OFDM SAR requirements. If the highest reported SAR for a test configuration is ≤ 1.2 W/kg, SAR is not required for U-NII-1 band for that configuration (802.11 mode and exposure condition); otherwise, both bands are tested independently for SAR.
2. When different maximum output power is specified for the bands, begin SAR measurement in the band with higher specified maximum output power. The highest reported SAR for the tested configuration is adjusted by the ratio of lower to higher specified maximum output power for the two bands. When the adjusted SAR is ≤ 1.2 W/kg, SAR is not required for the band with lower maximum output power in that test configuration; otherwise, both bands are tested independently for SAR.
3. The two U-NII bands may be aggregated to support a 160 MHz channel on channel number 50.
4. Without additional testing, the maximum output power for this is limited to the lower of the maximum output power certified for the two bands. When SAR measurement is required for at least one of the bands and the highest reported SAR adjusted by the ratio of specified maximum output power of aggregated to standalone band is > 1.2 W/kg, SAR is required for the 160 MHz channel. This procedure does not apply to an aggregated band with maximum output higher than the standalone band(s); the aggregated band must be tested independently for SAR. SAR is not required when the 160 MHz channel is operating at a reduced maximum power and also qualifies for SAR test exclusion.

B) U-NII-2C and U-NII-3 Bands



The frequency range covered by these bands is 380 MHz (5.47 – 5.85 GHz), which requires a minimum of at least two SAR probe calibration frequency points to support SAR measurements. When Terminal Doppler Weather Radar (TDWR) restriction applies, all channels that operate at 5.60 – 5.65 GHz must be included to apply the SAR test reduction and measurement procedures. When the same transmitter and antenna(s) are used for U-NII-2C band and U-NII-3 band or 5.8 GHz band of §15.247, the bands may be aggregated to enable additional channels with 20, 40 or 80 MHz bandwidth to span across the band gap, as illustrated in Appendix B. The maximum output power for the additional band gap channels is limited to the lower of those certified for the bands. Unless band gap channels are permanently disabled, they must be considered for SAR testing. The frequency range covered by these bands is 380 MHz (5.47 – 5.85 GHz), which requires a minimum of at least two SAR probe calibration frequency points to support SAR measurements. To maintain SAR measurement accuracy and to facilitate test reduction, the channels in U-NII-2C band above 5.65 GHz may be grouped with the 5.8 GHz channels in U-NII-3 or §15.247 band to enable two SAR probe calibration frequency points to cover the bands, including the band gap channels. When band gap channels are supported and the bands are not aggregated for SAR testing, band gap channels must be considered independently in each band according to the normally required OFDM SAR measurement and probe calibration frequency points requirements.

C) OFDM Transmission Mode SAR Test Configuration and Channel Selection Requirements

The initial test configuration for 5 GHz OFDM transmission modes is determined by the 802.11 configuration with the highest maximum output power specified for production units, including tune-up tolerance, in each standalone and aggregated frequency band. SAR for the initial test configuration is measured using the highest maximum output power channel determined by the default power measurement procedures. When multiple configurations in a frequency band have the same specified maximum output power, the initial test configuration is determined according to the following steps applied sequentially.

1. The largest channel bandwidth configuration is selected among the multiple configurations with the same specified maximum output power.
2. If multiple configurations have the same specified maximum output power and largest channel bandwidth, the lowest order modulation among the largest channel bandwidth configurations is selected.
3. If multiple configurations have the same specified maximum output power, largest channel bandwidth and lowest order modulation, the lowest data rate configuration among these configurations is selected.
4. When multiple transmission modes (802.11a/g/n/ac) have the same specified maximum output power, largest channel bandwidth, lowest order modulation and lowest data rate, the lowest order 802.11 mode is selected; i.e., 802.11a is chosen over 802.11n then 802.11ac or 802.11g is chosen over 802.11n. After an initial test configuration is determined, if multiple test channels have the same measured maximum output power, the channel chosen for SAR measurement is determined according to the following. These channel selection procedures apply to both the



initial test configuration and subsequent test configuration(s), with respect to the default power measurement procedures or additional power measurements required for further SAR test reduction. The same procedures also apply to subsequent highest output power channel(s) selection.

5. The channel closest to mid-band frequency is selected for SAR measurement.
6. For channels with equal separation from mid-band frequency; for example, high and low channels or two mid-band channels, the higher frequency (number) channel is selected for SAR measurement.

D) SAR Test Requirements for OFDM configurations

When SAR measurement is required for 802.11 a/n/ac OFDM configurations, each standalone and frequency aggregated band is considered separately for SAR test reduction. When the same transmitter and antenna(s) are used for U-NII-1 and U-NII-2A bands, additional SAR test reduction Vapplies. When band gap channels between U-NII-2C band and 5.8 GHz U-NII-3 or §15.247 band are supported, the highest maximum output power transmission mode configuration and maximum output power channel across the bands must be used to determine SAR test reduction, according to the initial test configuration and subsequent test configuration requirements. In applying the initial test configuration and subsequent test configuration procedures, the 802.11 transmission configuration with the highest specified maximum output power and the channel within a test configuration with the highest measured maximum output power should be clearly distinguished to apply the procedures.

13. Conducted RF Output Power

13.1. Conducted Full Power

➤ GSM Conducted Power

GSM850	Burst Average Power (dBm)			Tune-up Limit (dBm)	Frame-Average Power (dBm)			Tune-up Limit (dBm)
	TX Channel	128	189		251	128	189	
Frequency (MHz)	824.2	836.4	848.8		824.2	836.4	848.8	
GSM 1 Tx slot	31.49	31.65	31.76	33.30	22.49	22.65	22.76	24.30
GPRS 1 Tx slot	31.52	31.69	31.82	33.30	22.52	22.69	22.82	24.30
GPRS 2 Tx slots	31.01	31.15	31.51	32.30	25.01	25.15	25.51	26.30
GPRS 3 Tx slots	30.70	30.82	31.12	31.30	26.44	26.56	26.86	27.04
GPRS 4 Tx slots	30.40	30.54	30.80	31.30	27.40	27.54	27.80	28.30
EDGE 1 Tx slot	25.74	25.67	25.57	26.30	16.74	16.67	16.57	17.30
EDGE 2 Tx slots	23.71	23.75	23.72	24.30	17.71	17.75	17.72	18.30
EDGE 3 Tx slots	22.54	22.43	22.60	23.30	18.28	18.17	18.34	19.04
EDGE 4 Tx slots	21.95	21.89	22.02	22.30	18.95	18.89	19.02	19.30

GSM1900	Burst Average Power (dBm)			Tune-up Limit (dBm)	Frame-Average Power (dBm)			Tune-up Limit (dBm)
	TX Channel	512	661		810	512	661	
Frequency (MHz)	1850.2	1880	1909.8		1850.2	1880	1909.8	
GSM 1 Tx slot	29.26	29.14	29.19	30.30	20.26	20.14	20.19	21.30
GPRS 1 Tx slot	29.30	29.05	29.14	30.30	20.30	20.05	20.14	21.30
GPRS 2 Tx slots	29.14	28.84	29.03	29.30	23.14	22.84	23.03	23.30
GPRS 3 Tx slots	29.01	28.70	28.93	29.30	24.75	24.44	24.67	25.04
GPRS 4 Tx slots	28.78	28.61	28.71	29.30	25.78	25.61	25.71	26.30
EDGE 1 Tx slot	25.16	24.94	24.99	25.30	16.16	15.94	15.99	16.30
EDGE 2 Tx slots	25.06	24.75	24.90	25.30	19.06	18.75	18.90	19.30
EDGE 3 Tx slots	24.90	24.63	24.75	25.30	20.64	20.37	20.49	21.04
EDGE 4 Tx slots	24.78	24.53	24.60	25.30	21.78	21.53	21.60	22.30

Timeslot consignations:

No. of Slots	Slot 1	Slot 2	Slot 3	Slot 4
Slot Consignation	1Up4Down	2Up3Down	3Up2Down	4Up1Down
Duty Cycle	1:8.3	1:4.15	1:2.77	1:2.08
Correct Factor	-9.03dB	-6.02dB	-4.26dB	-3.01dB



➤ **WCDMA Conducted Power**

Band		WCDMA Band II			Tune-up Limit (dBm)
TX Channel		9262	9400	9538	
Rx Channel		9662	9800	9938	
Frequency (MHz)		1852.4	1880	1907.6	
3GPP Rel 99	RMC 12.2Kbps	22.85	22.88	22.89	23.80
3GPP Rel 5	HSDPA Subtest-1	21.35	21.39	21.34	21.80
3GPP Rel 5	HSDPA Subtest-2	20.43	20.38	20.44	21.80
3GPP Rel 5	HSDPA Subtest-3	19.70	19.56	19.71	21.30
3GPP Rel 5	HSDPA Subtest-4	19.59	19.50	19.53	21.30
3GPP Rel 8	DC-HSDPA Subtest-1	21.71	21.66	21.62	21.80
3GPP Rel 8	DC-HSDPA Subtest-2	21.74	21.72	21.61	21.80
3GPP Rel 8	DC-HSDPA Subtest-3	21.21	21.13	21.15	21.30
3GPP Rel 8	DC-HSDPA Subtest-4	21.22	21.18	21.13	21.30
3GPP Rel 6	HSUPA Subtest-1	20.59	20.41	20.40	21.80
3GPP Rel 6	HSUPA Subtest-2	20.54	20.37	20.31	20.80
3GPP Rel 6	HSUPA Subtest-3	20.28	20.08	20.03	20.80
3GPP Rel 6	HSUPA Subtest-4	21.51	21.36	21.29	21.80
3GPP Rel 6	HSUPA Subtest-5	20.45	20.28	20.30	21.80
3GPP Rel 7	HSPA+ (16QAM) Subtest-1	19.61	19.47	19.44	20.80

Band		WCDMA Band IV			Tune-up Limit (dBm)
TX Channel		1312	1413	1513	
Rx Channel		1537	1638	1738	
Frequency (MHz)		1712.4	1732.6	1752.6	
3GPP Rel 99	RMC 12.2Kbps	22.48	22.47	22.52	23.80
3GPP Rel 5	HSDPA Subtest-1	21.47	21.43	21.38	21.80
3GPP Rel 5	HSDPA Subtest-2	20.50	20.43	20.41	21.80
3GPP Rel 5	HSDPA Subtest-3	19.66	19.71	19.65	21.30
3GPP Rel 5	HSDPA Subtest-4	19.57	19.62	19.58	21.30
3GPP Rel 8	DC-HSDPA Subtest-1	21.58	21.52	21.59	21.80
3GPP Rel 8	DC-HSDPA Subtest-2	21.49	21.47	21.54	21.80
3GPP Rel 8	DC-HSDPA Subtest-3	20.96	20.98	21.05	21.30
3GPP Rel 8	DC-HSDPA Subtest-4	21.02	21.00	21.04	21.30
3GPP Rel 6	HSUPA Subtest-1	20.51	20.43	20.41	21.80
3GPP Rel 6	HSUPA Subtest-2	20.49	20.40	20.37	20.80
3GPP Rel 6	HSUPA Subtest-3	20.18	20.09	20.11	20.80



3GPP Rel 6	HSUPA Subtest-4	21.45	21.38	21.39	21.80
3GPP Rel 6	HSUPA Subtest-5	20.39	20.33	20.30	21.80
3GPP Rel 7	HSPA+ (16QAM) Subtest-1	19.25	19.17	19.24	19.30

Band		WCDMA Band V			Tune-up Limit (dBm)
TX Channel		4132	4183	4233	
Rx Channel		4357	4408	4458	
Frequency (MHz)		826.4	836.6	846.6	
3GPP Rel 99	RMC 12.2Kbps	23.17	22.98	23.09	24.10
3GPP Rel 5	HSDPA Subtest-1	22.12	21.99	22.25	23.10
3GPP Rel 5	HSDPA Subtest-2	21.15	21.02	21.24	23.10
3GPP Rel 5	HSDPA Subtest-3	20.32	20.23	20.51	22.60
3GPP Rel 5	HSDPA Subtest-4	20.19	20.12	20.37	22.60
3GPP Rel 8	DC-HSDPA Subtest-1	21.88	21.80	21.78	22.10
3GPP Rel 8	DC-HSDPA Subtest-2	21.90	21.73	21.76	22.10
3GPP Rel 8	DC-HSDPA Subtest-3	21.38	21.24	21.25	21.60
3GPP Rel 8	DC-HSDPA Subtest-4	21.42	21.27	21.26	21.60
3GPP Rel 6	HSUPA Subtest-1	21.14	21.01	21.27	22.10
3GPP Rel 6	HSUPA Subtest-2	21.12	21.00	21.23	21.60
3GPP Rel 6	HSUPA Subtest-3	20.80	20.74	20.95	21.10
3GPP Rel 6	HSUPA Subtest-4	22.15	21.99	22.21	22.60
3GPP Rel 6	HSUPA Subtest-5	21.03	20.89	21.14	22.10
3GPP Rel 7	HSPA+ (16QAM) Subtest-1	20.19	20.04	20.27	20.60



➤ LTE Conducted Power

<FDD-LTE Band 2>

BW [MHz]	Modulation	RB Size	RB Offset	Low Channel	Middle Channel	High Channel	Tune-up limit (dBm)
Channel				18700	18900	19100	
Frequency (MHz)				1860	1880	1900	
20	QPSK	1	0	22.59	22.60	22.43	23.80
20	QPSK	1	49	22.80	22.47	22.67	
20	QPSK	1	99	22.48	22.41	22.41	
20	QPSK	50	0	21.79	21.61	21.53	22.80
20	QPSK	50	24	21.62	21.54	21.70	
20	QPSK	50	50	21.62	21.47	21.53	
20	QPSK	100	0	21.71	21.66	21.59	
20	16QAM	1	0	22.04	21.78	21.83	22.80
20	16QAM	1	49	21.92	21.76	22.16	
20	16QAM	1	99	21.99	21.89	21.72	
20	16QAM	50	0	20.79	20.59	20.54	22.80
20	16QAM	50	24	20.57	20.59	20.57	
20	16QAM	50	50	20.52	20.49	20.39	
20	16QAM	100	0	20.66	20.58	20.57	
20	64QAM	1	0	21.69	21.57	21.74	22.80
20	64QAM	1	49	21.34	21.60	21.90	
20	64QAM	1	99	21.59	21.57	21.61	
20	64QAM	50	0	20.68	20.64	20.47	20.80
20	64QAM	50	24	20.60	20.55	20.56	
20	64QAM	50	50	20.54	20.45	20.41	
20	64QAM	100	0	20.77	20.65	20.69	
Channel				18675	18900	19125	Tune-up limit (dBm)
Frequency (MHz)				1857.5	1880	1902.5	
15	QPSK	1	0	22.71	22.78	22.74	23.80
15	QPSK	1	37	22.72	22.67	22.73	
15	QPSK	1	74	22.58	22.73	22.43	
15	QPSK	36	0	21.68	21.56	21.57	22.80
15	QPSK	36	20	21.73	21.56	21.53	
15	QPSK	36	39	21.68	21.47	21.35	
15	QPSK	75	0	21.66	21.64	21.60	
15	16QAM	1	0	22.04	22.15	21.77	22.80



15	16QAM	1	37	22.18	21.84	22.12	
15	16QAM	1	74	22.06	22.14	21.70	
15	16QAM	36	0	20.78	20.59	20.53	22.80
15	16QAM	36	20	20.79	20.50	20.51	
15	16QAM	36	39	20.57	20.47	20.31	
15	16QAM	75	0	20.70	20.54	20.57	
15	64QAM	1	0	21.60	21.59	21.72	
15	64QAM	1	37	21.96	21.93	21.65	22.80
15	64QAM	1	74	21.54	21.60	21.69	
15	64QAM	36	0	20.61	20.55	20.58	
15	64QAM	36	20	20.76	20.55	20.55	21.80
15	64QAM	36	39	20.68	20.42	20.39	
15	64QAM	75	0	20.69	20.50	20.38	
Channel				18650	18900	19150	
Frequency (MHz)				1855	1880	1905	
10	QPSK	1	0	22.48	22.63	22.44	23.80
10	QPSK	1	25	22.67	22.52	22.67	
10	QPSK	1	49	22.68	22.41	22.46	
10	QPSK	25	0	21.68	21.66	21.51	22.80
10	QPSK	25	12	21.65	21.47	21.44	
10	QPSK	25	25	21.73	21.56	21.75	
10	QPSK	50	0	21.64	21.51	21.45	
10	16QAM	1	0	22.09	21.94	22.14	
10	16QAM	1	25	21.92	21.71	21.65	22.80
10	16QAM	1	49	21.95	21.84	21.67	
10	16QAM	25	0	20.36	20.60	20.43	
10	16QAM	25	12	20.69	20.48	20.44	22.80
10	16QAM	25	25	20.70	20.61	20.54	
10	16QAM	50	0	20.79	20.61	20.65	
10	64QAM	1	0	21.44	21.75	21.80	
10	64QAM	1	25	21.79	21.61	21.32	22.80
10	64QAM	1	49	21.78	21.38	21.34	
10	64QAM	25	0	20.29	20.66	20.56	
10	64QAM	25	12	20.66	20.48	20.39	21.80
10	64QAM	25	25	20.72	20.55	20.53	
10	64QAM	50	0	20.62	20.58	20.56	
Channel				18625	18900	19175	Tune-up



Frequency (MHz)				1852.5	1880	1907.5	limit (dBm)
5	QPSK	1	0	22.82	22.66	22.66	23.80
5	QPSK	1	12	22.74	22.57	22.63	
5	QPSK	1	24	22.83	22.70	22.76	
5	QPSK	12	0	21.73	21.60	21.59	22.80
5	QPSK	12	7	21.76	21.60	21.53	
5	QPSK	12	13	21.66	21.55	21.62	
5	QPSK	25	0	21.89	21.54	21.60	
5	16QAM	1	0	21.95	22.10	22.16	22.80
5	16QAM	1	12	21.74	21.71	22.06	
5	16QAM	1	24	21.95	22.18	21.71	
5	16QAM	12	0	20.75	20.65	20.61	22.80
5	16QAM	12	7	20.74	20.67	20.55	
5	16QAM	12	13	20.76	20.54	20.33	
5	16QAM	25	0	20.70	20.59	20.50	
5	64QAM	1	0	21.88	21.71	21.89	22.80
5	64QAM	1	12	21.97	22.02	21.80	
5	64QAM	1	24	21.97	21.84	21.59	
5	64QAM	12	0	20.63	20.47	20.71	21.80
5	64QAM	12	7	20.81	20.49	20.42	
5	64QAM	12	13	20.78	20.66	20.35	
5	64QAM	25	0	20.84	20.51	20.52	
Channel				18615	18900	19185	Tune-up
Frequency (MHz)				1851.5	1880	1908.5	limit (dBm)
3	QPSK	1	0	22.77	22.47	22.50	23.80
3	QPSK	1	8	22.73	22.52	22.50	
3	QPSK	1	14	22.72	22.54	22.32	
3	QPSK	8	0	21.75	21.62	21.73	22.80
3	QPSK	8	4	21.82	21.50	21.75	
3	QPSK	8	7	21.80	21.45	21.50	
3	QPSK	15	0	21.74	21.48	21.59	
3	16QAM	1	0	22.13	22.04	21.82	22.80
3	16QAM	1	8	21.91	21.93	21.77	
3	16QAM	1	14	22.14	21.75	21.89	
3	16QAM	8	0	20.53	20.49	20.56	21.80
3	16QAM	8	4	20.82	20.60	20.53	



3	16QAM	8	7	20.65	20.55	20.62	
3	16QAM	15	0	20.69	20.65	20.67	
3	64QAM	1	0	20.38	20.21	20.39	21.80
3	64QAM	1	8	20.47	20.52	20.30	
3	64QAM	1	14	20.47	20.34	20.09	
3	64QAM	8	0	19.13	18.97	19.21	20.80
3	64QAM	8	4	19.31	18.99	18.92	
3	64QAM	8	7	19.28	19.16	18.85	
3	64QAM	15	0	19.34	19.01	19.02	
Channel				18607	18900	19193	Tune-up limit (dBm)
Frequency (MHz)				1850.7	1880	1909.3	
1.4	QPSK	1	0	22.72	22.53	22.54	23.80
1.4	QPSK	1	3	22.56	22.70	22.78	
1.4	QPSK	1	5	22.61	22.46	22.67	
1.4	QPSK	3	0	22.64	22.45	22.89	
1.4	QPSK	3	1	22.69	22.69	22.57	
1.4	QPSK	3	3	22.83	22.56	22.57	
1.4	QPSK	6	0	21.69	21.42	21.53	22.80
1.4	16QAM	1	0	22.03	21.67	21.96	22.80
1.4	16QAM	1	3	21.70	22.06	21.64	
1.4	16QAM	1	5	21.84	21.96	21.87	
1.4	16QAM	3	0	21.72	21.60	21.61	
1.4	16QAM	3	1	21.73	21.63	21.47	
1.4	16QAM	3	3	21.82	21.37	21.81	
1.4	16QAM	6	0	20.60	20.50	20.67	21.80
1.4	64QAM	1	0	19.94	20.25	20.30	21.80
1.4	64QAM	1	3	20.29	20.11	19.82	
1.4	64QAM	1	5	20.28	19.88	19.84	
1.4	64QAM	3	0	18.79	19.16	19.06	
1.4	64QAM	3	1	19.16	18.98	18.89	
1.4	64QAM	3	3	19.22	19.05	19.03	
1.4	64QAM	6	0	19.12	19.08	19.06	20.80



<FDD-LTE Band 4>

BW [MHz]	Modulation	RB Size	RB Offset	Low Channel	Middle Channel	High Channel	Tune-up limit (dBm)
Channel				20050	20175	20300	
Frequency (MHz)				1720	1732.5	1745	
20	QPSK	1	0	22.42	22.45	22.52	23.80
20	QPSK	1	49	22.36	22.39	22.39	
20	QPSK	1	99	22.56	22.78	22.74	
20	QPSK	50	0	21.46	21.47	21.67	22.80
20	QPSK	50	24	21.49	21.47	21.47	
20	QPSK	50	50	21.49	21.56	21.47	
20	QPSK	100	0	21.57	21.50	21.57	
20	16QAM	1	0	21.67	21.75	21.64	22.80
20	16QAM	1	49	21.67	21.84	21.69	
20	16QAM	1	99	22.03	21.66	22.13	
20	16QAM	50	0	20.55	20.40	20.49	22.80
20	16QAM	50	24	20.48	20.43	20.43	
20	16QAM	50	50	20.51	20.48	20.52	
20	16QAM	100	0	20.51	20.44	20.47	
20	64QAM	1	0	21.69	21.70	21.50	22.80
20	64QAM	1	49	21.41	21.33	21.36	
20	64QAM	1	99	21.70	21.81	21.72	
20	64QAM	50	0	20.51	20.37	20.51	21.80
20	64QAM	50	24	20.40	20.41	20.47	
20	64QAM	50	50	20.62	20.48	20.61	
20	64QAM	100	0	20.53	20.44	20.54	
Channel				20025	20175	20325	
Frequency (MHz)				1717.5	1732.5	1747.5	
15	QPSK	1	0	22.35	22.38	22.45	23.80
15	QPSK	1	37	22.29	22.32	22.32	
15	QPSK	1	74	22.49	22.71	22.67	
15	QPSK	36	0	21.39	21.40	21.60	22.80
15	QPSK	36	20	21.42	21.40	21.40	
15	QPSK	36	39	21.42	21.49	21.40	
15	QPSK	75	0	21.50	21.43	21.50	
15	16QAM	1	0	21.60	21.68	21.57	22.80
15	16QAM	1	37	21.60	21.77	21.62	



15	16QAM	1	74	21.96	21.59	22.06	
15	16QAM	36	0	20.48	20.33	20.42	21.80
15	16QAM	36	20	20.41	20.36	20.36	
15	16QAM	36	39	20.44	20.41	20.45	
15	16QAM	75	0	20.44	20.37	20.40	
15	64QAM	1	0	21.62	21.63	21.43	
15	64QAM	1	37	21.34	21.26	21.29	21.80
15	64QAM	1	74	21.63	21.74	21.65	
15	64QAM	36	0	20.44	20.30	20.44	
15	64QAM	36	20	20.33	20.34	20.40	20.80
15	64QAM	36	39	20.55	20.41	20.54	
15	64QAM	75	0	20.46	20.37	20.47	
Channel				20000	20175	20350	Tune-up limit (dBm)
Frequency (MHz)				1715	1732.5	1750	
10	QPSK	1	0	22.28	22.31	22.38	23.80
10	QPSK	1	25	22.22	22.25	22.25	
10	QPSK	1	49	22.42	22.64	22.60	
10	QPSK	25	0	21.32	21.33	21.53	22.80
10	QPSK	25	12	21.35	21.33	21.33	
10	QPSK	25	25	21.35	21.42	21.33	
10	QPSK	50	0	21.43	21.36	21.43	
10	16QAM	1	0	21.53	21.61	21.50	22.80
10	16QAM	1	25	21.53	21.70	21.55	
10	16QAM	1	49	21.89	21.52	21.99	
10	16QAM	25	0	20.41	20.26	20.35	21.80
10	16QAM	25	12	20.34	20.29	20.29	
10	16QAM	25	25	20.37	20.34	20.38	
10	16QAM	50	0	20.37	20.30	20.33	
10	64QAM	1	0	21.55	21.56	21.36	21.80
10	64QAM	1	25	21.27	21.19	21.22	
10	64QAM	1	49	21.56	21.67	21.58	
10	64QAM	25	0	20.37	20.23	20.37	20.80
10	64QAM	25	12	20.26	20.27	20.33	
10	64QAM	25	25	20.48	20.34	20.47	
10	64QAM	50	0	20.39	20.30	20.40	
Channel				19975	20175	20375	Tune-up limit
Frequency (MHz)				1712.5	1732.5	1752.5	



							(dBm)
5	QPSK	1	0	22.25	22.28	22.35	23.80
5	QPSK	1	12	22.19	22.22	22.22	
5	QPSK	1	24	22.39	22.61	22.57	
5	QPSK	12	0	21.29	21.30	21.50	22.80
5	QPSK	12	7	21.32	21.30	21.30	
5	QPSK	12	13	21.32	21.39	21.30	
5	QPSK	25	0	21.40	21.33	21.40	
5	16QAM	1	0	21.50	21.58	21.47	22.80
5	16QAM	1	12	21.50	21.67	21.52	
5	16QAM	1	24	21.86	21.49	21.96	
5	16QAM	12	0	20.38	20.23	20.32	21.80
5	16QAM	12	7	20.31	20.26	20.26	
5	16QAM	12	13	20.34	20.31	20.35	
5	16QAM	25	0	20.34	20.27	20.30	
5	64QAM	1	0	21.52	21.53	21.33	21.80
5	64QAM	1	12	21.24	21.16	21.19	
5	64QAM	1	24	21.53	21.64	21.55	
5	64QAM	12	0	20.34	20.20	20.34	20.80
5	64QAM	12	7	20.23	20.24	20.30	
5	64QAM	12	13	20.45	20.31	20.44	
5	64QAM	25	0	20.36	20.27	20.37	
Channel				19965	20175	20385	Tune-up limit (dBm)
Frequency (MHz)				1711.5	1732.5	1753.5	
3	QPSK	1	0	22.22	22.25	22.32	23.80
3	QPSK	1	8	22.16	22.19	22.19	
3	QPSK	1	14	22.36	22.58	22.54	
3	QPSK	8	0	21.26	21.27	21.47	22.80
3	QPSK	8	4	21.29	21.27	21.27	
3	QPSK	8	7	21.29	21.36	21.27	
3	QPSK	15	0	21.37	21.30	21.37	
3	16QAM	1	0	21.47	21.55	21.44	22.80
3	16QAM	1	8	21.47	21.64	21.49	
3	16QAM	1	14	21.83	21.46	21.93	
3	16QAM	8	0	20.35	20.20	20.29	21.80
3	16QAM	8	4	20.28	20.23	20.23	
3	16QAM	8	7	20.31	20.28	20.32	



3	16QAM	15	0	20.31	20.24	20.27	
3	64QAM	1	0	18.74	18.02	17.73	21.80
3	64QAM	1	8	18.71	18.18	17.89	
3	64QAM	1	14	18.71	18.24	17.81	
3	64QAM	8	0	17.72	17.36	16.82	20.80
3	64QAM	8	4	17.72	17.15	16.83	
3	64QAM	8	7	17.58	16.99	16.77	
3	64QAM	15	0	17.74	17.16	16.83	
Channel				19957	20175	20393	Tune-up limit (dBm)
Frequency (MHz)				1710.7	1732.5	1754.3	
1.4	QPSK	1	0	22.21	22.24	22.31	23.80
1.4	QPSK	1	3	22.15	22.18	22.18	
1.4	QPSK	1	5	22.35	22.57	22.53	
1.4	QPSK	3	0	21.25	21.26	21.46	
1.4	QPSK	3	1	21.28	21.26	21.26	
1.4	QPSK	3	3	21.28	21.35	21.26	
1.4	QPSK	6	0	21.36	21.29	21.36	22.80
1.4	16QAM	1	0	21.46	21.54	21.43	22.80
1.4	16QAM	1	3	21.46	21.63	21.48	
1.4	16QAM	1	5	21.82	21.45	21.92	
1.4	16QAM	3	0	20.34	20.19	20.28	
1.4	16QAM	3	1	20.27	20.22	20.22	
1.4	16QAM	3	3	20.30	20.27	20.31	
1.4	16QAM	6	0	20.30	20.23	20.26	21.80
1.4	64QAM	1	0	18.67	18.18	17.82	21.80
1.4	64QAM	1	3	18.76	18.24	17.78	
1.4	64QAM	1	5	18.65	18.08	17.66	
1.4	64QAM	3	0	18.57	18.07	17.70	
1.4	64QAM	3	1	18.76	17.95	17.57	
1.4	64QAM	3	3	18.65	18.10	17.91	
1.4	64QAM	6	0	17.57	17.15	16.61	20.80



<FDD-LTE Band 5>

BW [MHz]	Modulation	RB Size	RB Offset	Low Channel	Middle Channel	High Channel	Tune-up limit (dBm)
Channel				20450	20525	20600	
Frequency (MHz)				829	836.5	844	
10	QPSK	1	0	23.01	23.09	22.97	24.10
10	QPSK	1	25	23.03	23.10	22.96	
10	QPSK	1	49	23.45	23.38	23.17	
10	QPSK	25	0	22.02	22.04	22.34	23.10
10	QPSK	25	12	22.01	21.97	21.85	
10	QPSK	25	25	22.13	21.96	21.94	
10	QPSK	50	0	21.96	22.05	22.01	23.10
10	16QAM	1	0	22.73	22.72	22.64	
10	16QAM	1	25	22.63	22.68	22.57	
10	16QAM	1	49	22.61	22.40	22.24	23.10
10	16QAM	25	0	20.91	21.01	21.00	
10	16QAM	25	12	21.05	20.94	20.85	
10	16QAM	25	25	21.01	21.02	20.85	23.10
10	16QAM	50	0	20.99	21.03	20.96	
10	64QAM	1	0	22.31	22.43	22.30	
10	64QAM	1	25	22.26	22.06	22.45	23.10
10	64QAM	1	49	22.06	22.34	22.15	
10	64QAM	25	0	20.97	20.94	20.97	
10	64QAM	25	12	21.03	20.93	20.91	22.10
10	64QAM	25	25	20.95	20.94	20.82	
10	64QAM	50	0	20.90	20.97	20.96	
Channel				20425	20525	20625	Tune-up limit (dBm)
Frequency (MHz)				826.5	836.5	846.5	
5	QPSK	1	0	22.99	23.07	22.95	24.10
5	QPSK	1	12	23.01	23.08	22.94	
5	QPSK	1	24	23.43	23.36	23.15	
5	QPSK	12	0	22.00	22.02	22.32	23.10
5	QPSK	12	7	21.99	21.95	21.83	
5	QPSK	12	13	22.11	21.94	21.92	
5	QPSK	25	0	21.94	22.03	21.99	23.10
5	16QAM	1	0	22.71	22.70	22.62	
5	16QAM	1	12	22.61	22.66	22.55	



5	16QAM	1	24	22.59	22.38	22.22	
5	16QAM	12	0	20.89	20.99	20.98	22.10
5	16QAM	12	7	21.03	20.92	20.83	
5	16QAM	12	13	20.99	21.00	20.83	
5	16QAM	25	0	20.97	21.01	20.94	
5	64QAM	1	0	22.29	22.41	22.28	
5	64QAM	1	12	22.24	22.04	22.43	23.10
5	64QAM	1	24	22.04	22.32	22.13	
5	64QAM	12	0	20.95	20.92	20.95	
5	64QAM	12	7	21.01	20.91	20.89	22.10
5	64QAM	12	13	20.93	20.92	20.80	
5	64QAM	25	0	20.88	20.95	20.94	
Channel				20415	20525	20635	Tune-up limit (dBm)
Frequency (MHz)				825.5	836.5	847.5	
3	QPSK	1	0	22.98	23.06	22.94	24.10
3	QPSK	1	8	23.00	23.07	22.93	
3	QPSK	1	14	23.42	23.35	23.14	
3	QPSK	8	0	21.99	22.01	22.31	23.10
3	QPSK	8	4	21.98	21.94	21.82	
3	QPSK	8	7	22.10	21.93	21.91	
3	QPSK	15	0	21.93	22.02	21.98	
3	16QAM	1	0	22.70	22.69	22.61	
3	16QAM	1	8	22.60	22.65	22.54	23.10
3	16QAM	1	14	22.58	22.37	22.21	
3	16QAM	8	0	20.88	20.98	20.97	
3	16QAM	8	4	21.02	20.91	20.82	23.10
3	16QAM	8	7	20.98	20.99	20.82	
3	16QAM	15	0	20.96	21.00	20.93	
3	64QAM	1	0	22.28	22.40	22.27	
3	64QAM	1	8	22.23	22.03	22.42	23.10
3	64QAM	1	14	22.03	22.31	22.12	
3	64QAM	8	0	20.94	20.91	20.94	
3	64QAM	8	4	21.00	20.90	20.88	22.10
3	64QAM	8	7	20.92	20.91	20.79	
3	64QAM	15	0	20.87	20.94	20.93	
Channel				20407	20525	20643	
Frequency (MHz)				824.7	836.5	848.3	



							(dBm)
1.4	QPSK	1	0	23.00	23.08	22.96	24.10
1.4	QPSK	1	3	23.02	23.09	22.95	
1.4	QPSK	1	5	23.44	23.37	23.16	
1.4	QPSK	3	0	22.01	22.03	22.33	
1.4	QPSK	3	1	22.00	21.96	21.84	
1.4	QPSK	3	3	22.12	21.95	21.93	
1.4	QPSK	6	0	21.95	22.04	22.00	23.10
1.4	16QAM	1	0	22.72	22.71	22.63	23.10
1.4	16QAM	1	3	22.62	22.67	22.56	
1.4	16QAM	1	5	22.60	22.39	22.23	
1.4	16QAM	3	0	20.90	21.00	20.99	
1.4	16QAM	3	1	21.04	20.93	20.84	
1.4	16QAM	3	3	21.00	21.01	20.84	
1.4	16QAM	6	0	20.98	21.02	20.95	21.10
1.4	64QAM	1	0	22.30	22.42	22.29	23.10
1.4	64QAM	1	3	22.25	22.05	22.44	
1.4	64QAM	1	5	22.05	22.33	22.14	
1.4	64QAM	3	0	20.96	20.93	20.96	
1.4	64QAM	3	1	21.02	20.92	20.90	
1.4	64QAM	3	3	20.94	20.93	20.81	
1.4	64QAM	6	0	20.89	20.96	20.95	21.10

<FDD-LTE Band 7>

BW [MHz]	Modulation	RB Size	RB Offset	Low Channel	Middle Channel	High Channel	Tune-up limit (dBm)
Channel				20850	21100	21350	23.30
Frequency (MHz)				2510	2535	2560	
20	QPSK	1	0	21.82	22.00	21.97	23.30
20	QPSK	1	49	21.97	21.81	21.79	
20	QPSK	1	99	22.24	21.75	21.84	
20	QPSK	50	0	20.93	20.87	20.94	22.30
20	QPSK	50	24	21.08	21.06	20.94	
20	QPSK	50	50	21.02	20.88	20.87	
20	QPSK	100	0	21.00	20.98	20.93	
20	16QAM	1	0	21.06	21.01	20.89	22.30
20	16QAM	1	49	21.28	21.02	21.33	
20	16QAM	1	99	21.14	20.90	21.25	



20	16QAM	50	0	19.94	19.93	19.86	22.30
20	16QAM	50	24	19.95	19.96	19.95	
20	16QAM	50	50	19.99	19.74	19.89	
20	16QAM	100	0	19.99	20.05	19.92	
20	64QAM	1	0	21.04	21.12	21.28	22.30
20	64QAM	1	49	20.97	21.28	21.06	
20	64QAM	1	99	21.37	20.99	20.99	
20	64QAM	50	0	19.88	19.89	19.91	20.30
20	64QAM	50	24	19.98	19.98	19.95	
20	64QAM	50	50	19.99	19.90	19.85	
20	64QAM	100	0	19.95	19.90	19.95	
Channel				20825	21100	21375	Tune-up limit (dBm)
Frequency (MHz)				2507.5	2535	2562.5	
15	QPSK	1	0	21.85	21.80	21.87	23.30
15	QPSK	1	37	21.77	21.96	21.89	
15	QPSK	1	74	22.01	21.81	21.80	
15	QPSK	36	0	20.98	20.94	20.88	22.30
15	QPSK	36	20	21.00	20.98	20.94	
15	QPSK	36	39	20.98	20.70	20.89	
15	QPSK	75	0	20.95	20.91	20.97	
15	16QAM	1	0	20.89	21.02	21.05	22.00
15	16QAM	1	37	21.30	21.15	20.88	
15	16QAM	1	74	21.32	20.98	21.31	
15	16QAM	36	0	19.96	19.88	19.80	21.30
15	16QAM	36	20	20.00	19.91	19.93	
15	16QAM	36	39	19.97	19.94	19.83	
15	16QAM	75	0	19.94	19.97	19.94	
15	64QAM	1	0	20.97	20.94	20.99	21.30
15	64QAM	1	37	20.72	20.94	21.01	
15	64QAM	1	74	20.75	20.84	20.91	
15	64QAM	36	0	19.95	19.86	19.71	20.30
15	64QAM	36	20	19.88	19.87	19.90	
15	64QAM	36	39	19.99	19.89	19.83	
15	64QAM	75	0	19.94	19.95	19.95	
Channel				20800	21100	21400	Tune-up limit (dBm)
Frequency (MHz)				2505	2535	2565	



10	QPSK	1	0	22.04	22.11	22.12	23.30
10	QPSK	1	25	22.15	22.09	22.01	
10	QPSK	1	49	22.02	22.14	22.12	
10	QPSK	25	0	21.21	21.15	21.10	22.30
10	QPSK	25	12	21.13	21.12	21.05	
10	QPSK	25	25	21.04	21.19	21.03	
10	QPSK	50	0	21.20	21.17	21.12	22.30
10	16QAM	1	0	21.74	21.78	21.48	
10	16QAM	1	25	21.62	21.64	21.48	
10	16QAM	1	49	21.40	21.40	21.59	21.30
10	16QAM	25	0	20.18	20.17	20.20	
10	16QAM	25	12	20.11	20.04	20.03	
10	16QAM	25	25	20.08	20.22	19.98	20.30
10	16QAM	50	0	20.19	20.05	20.12	
10	64QAM	1	0	21.21	21.55	21.53	
10	64QAM	1	25	21.27	21.35	21.15	22.30
10	64QAM	1	49	21.29	21.12	21.18	
10	64QAM	25	0	20.10	20.06	20.10	
10	64QAM	25	12	20.17	20.18	20.15	20.30
10	64QAM	25	25	20.10	20.16	20.00	
10	64QAM	50	0	20.15	20.22	20.06	
Channel				20775	21100	21425	Tune-up limit (dBm)
Frequency (MHz)				2502.5	2535	2567.5	
5	QPSK	1	0	21.95	21.72	21.98	22.30
5	QPSK	1	12	21.92	21.76	21.83	
5	QPSK	1	24	21.78	21.91	21.76	
5	QPSK	12	0	20.85	20.83	20.81	21.30
5	QPSK	12	7	20.82	20.86	20.83	
5	QPSK	12	13	20.81	20.89	20.82	
5	QPSK	25	0	20.85	20.82	20.78	22.30
5	16QAM	1	0	21.15	21.05	21.53	
5	16QAM	1	12	21.04	21.34	21.28	
5	16QAM	1	24	21.24	21.12	21.49	20.30
5	16QAM	12	0	19.85	19.86	19.91	
5	16QAM	12	7	19.84	19.77	19.73	
5	16QAM	12	13	19.83	19.82	19.83	20.30
5	16QAM	25	0	19.94	19.88	19.84	



5	64QAM	1	0	20.77	21.09	20.81	21.30
5	64QAM	1	12	20.81	21.01	20.80	
5	64QAM	1	24	21.09	21.08	20.75	
5	64QAM	12	0	19.82	19.87	19.77	20.30
5	64QAM	12	7	19.82	19.99	19.77	
5	64QAM	12	13	19.78	19.81	19.85	
5	64QAM	25	0	19.78	19.85	19.83	

<TDD-LTE Band 38>

BW [MHz]	Modulation	RB Size	RB Offset	Low Channel	Middle Channel	High Channel	Tune-up limit (dBm)
Channel				37850	38000	38150	Tune-up limit (dBm)
Frequency (MHz)				2580	2595	2610	
20	QPSK	1	0	22.18	22.67	22.21	23.80
20	QPSK	1	49	22.37	22.21	22.18	
20	QPSK	1	99	22.42	22.36	22.45	
20	QPSK	50	0	21.45	21.38	21.48	22.80
20	QPSK	50	24	21.32	21.46	21.21	
20	QPSK	50	50	21.47	21.51	21.34	
20	QPSK	100	0	21.41	21.43	21.36	
20	16QAM	1	0	21.62	21.74	21.53	22.80
20	16QAM	1	49	21.56	21.66	21.55	
20	16QAM	1	99	22.00	21.60	21.68	
20	16QAM	50	0	20.52	20.44	20.46	21.80
20	16QAM	50	24	20.52	20.43	20.37	
20	16QAM	50	50	20.59	20.48	20.52	
20	16QAM	100	0	20.52	20.51	20.44	
20	64QAM	1	0	21.36	21.61	21.52	
20	64QAM	1	49	21.73	21.65	21.73	22.80
20	64QAM	1	99	21.60	21.54	21.45	
20	64QAM	50	0	20.34	20.34	20.29	
20	64QAM	50	24	20.23	20.45	20.21	21.80
20	64QAM	50	50	20.41	20.53	20.26	
20	64QAM	100	0	20.54	20.33	20.55	
Channel				37825	38000	38175	Tune-up limit (dBm)
Frequency (MHz)				2577.5	2595	2612.5	



15	QPSK	1	0	22.36	22.43	22.60	23.80
15	QPSK	1	37	22.44	22.31	22.30	
15	QPSK	1	74	22.59	22.61	22.33	
15	QPSK	36	0	21.31	21.46	21.34	22.80
15	QPSK	36	20	21.55	21.23	21.23	
15	QPSK	36	39	21.61	21.48	21.39	
15	QPSK	75	0	21.36	21.28	21.32	22.80
15	16QAM	1	0	21.96	21.83	21.68	
15	16QAM	1	37	21.66	21.53	21.72	
15	16QAM	1	74	21.80	21.67	21.94	21.80
15	16QAM	36	0	20.34	20.39	20.37	
15	16QAM	36	20	20.42	20.27	20.26	
15	16QAM	36	39	20.45	20.42	20.42	22.80
15	16QAM	75	0	20.37	20.45	20.30	
15	64QAM	1	0	21.41	21.72	21.78	
15	64QAM	1	37	21.84	21.88	21.42	21.80
15	64QAM	1	74	21.56	21.54	21.59	
15	64QAM	36	0	20.37	20.40	20.40	
15	64QAM	36	20	20.44	20.19	20.28	Tune-up limit (dBm)
15	64QAM	36	39	20.60	20.34	20.45	
15	64QAM	75	0	20.35	20.42	20.29	
Channel				37800	38000	38200	Tune-up limit (dBm)
Frequency (MHz)				2575	2595	2615	
10	QPSK	1	0	22.41	22.27	22.42	23.80
10	QPSK	1	25	22.45	22.53	22.49	
10	QPSK	1	49	22.57	22.58	22.52	
10	QPSK	25	0	21.62	21.58	21.53	22.80
10	QPSK	25	12	21.67	21.66	21.55	
10	QPSK	25	25	21.61	21.64	21.63	
10	QPSK	50	0	21.61	21.53	21.53	22.80
10	16QAM	1	0	22.08	22.03	22.06	
10	16QAM	1	25	22.01	21.72	21.72	
10	16QAM	1	49	22.19	21.73	22.13	21.80
10	16QAM	25	0	20.63	20.74	20.72	
10	16QAM	25	12	20.68	20.67	20.45	
10	16QAM	25	25	20.77	20.74	20.72	21.80
10	16QAM	50	0	20.74	20.43	20.62	



10	64QAM	1	0	21.13	21.50	21.09	21.80
10	64QAM	1	25	21.22	21.41	21.16	
10	64QAM	1	49	21.06	21.15	21.10	
10	64QAM	25	0	20.11	20.53	20.18	20.80
10	64QAM	25	12	20.14	20.46	20.21	
10	64QAM	25	25	20.07	20.36	20.12	
10	64QAM	50	0	20.07	20.41	20.19	
Channel				37775	38000	38225	Tune-up limit (dBm)
Frequency (MHz)				2572.5	2595	2617.5	
5	QPSK	1	0	22.13	22.45	22.11	23.80
5	QPSK	1	12	22.25	22.38	22.10	
5	QPSK	1	24	22.06	22.08	22.01	
5	QPSK	12	0	21.30	21.56	21.28	22.80
5	QPSK	12	7	21.31	21.58	21.32	
5	QPSK	12	13	21.25	21.47	21.23	
5	QPSK	25	0	21.23	21.51	21.29	
5	16QAM	1	0	21.32	21.63	21.32	22.80
5	16QAM	1	12	21.47	21.67	21.40	
5	16QAM	1	24	21.30	21.39	21.34	
5	16QAM	12	0	20.29	20.71	20.36	21.80
5	16QAM	12	7	20.32	20.64	20.39	
5	16QAM	12	13	20.26	20.54	20.30	
5	16QAM	25	0	20.26	20.61	20.38	
5	64QAM	1	0	21.25	21.62	21.21	22.80
5	64QAM	1	12	21.34	21.53	21.28	
5	64QAM	1	24	21.18	21.27	21.22	
5	64QAM	12	0	20.23	20.65	20.30	21.80
5	64QAM	12	7	20.26	20.58	20.33	
5	64QAM	12	13	20.19	20.48	20.24	
5	64QAM	25	0	20.19	20.53	20.31	



<TDD-LTE Band 40A>

BW [MHz]	Modulation	RB Size	RB Offset	Low Channel	Middle Channel	High Channel	Tune-up limit (dBm)
Channel				15650			
Frequency (MHz)							
10	QPSK	1	0	22.48			23.80
10	QPSK	1	25	22.51			
10	QPSK	1	49	22.59			
10	QPSK	25	0	21.53			22.80
10	QPSK	25	12	21.48			
10	QPSK	25	25	21.42			
10	QPSK	50	0	21.64			
10	16QAM	1	0	21.90			
10	16QAM	1	25	22.01			22.80
10	16QAM	1	49	22.04			
10	16QAM	25	0	20.61			
10	16QAM	25	12	20.68			21.80
10	16QAM	25	25	20.52			
10	16QAM	50	0	20.56			
10	64QAM	1	0	21.32			
10	64QAM	1	25	21.61			
10	64QAM	1	49	21.79			22.80
10	64QAM	25	0	20.53			
10	64QAM	25	12	20.60			
10	64QAM	25	25	20.45			21.80
10	64QAM	25	25	20.45			
10	64QAM	50	0	20.49			
Channel				38725	38750	38775	Tune-up limit (dBm)
Frequency (MHz)				2307.5	2310	2312.5	
5	QPSK	1	0	22.35	22.56	22.29	23.80
5	QPSK	1	12	22.46	22.44	22.43	
5	QPSK	1	24	22.40	22.42	22.39	
5	QPSK	12	0	21.53	21.59	21.60	22.80
5	QPSK	12	7	21.48	21.60	21.50	
5	QPSK	12	13	21.42	21.57	21.36	
5	QPSK	25	0	21.50	21.43	21.43	
5	16QAM	1	0	21.79	21.69	21.78	



5	16QAM	1	12	21.86	21.91	21.47	
5	16QAM	1	24	21.64	21.89	21.69	
5	16QAM	12	0	20.52	20.64	20.54	21.80
5	16QAM	12	7	20.48	20.53	20.44	
5	16QAM	12	13	20.54	20.51	20.41	
5	16QAM	25	0	20.53	20.49	20.50	
5	64QAM	1	0	21.38	21.79	21.68	22.80
5	64QAM	1	12	21.56	21.59	21.60	
5	64QAM	1	24	21.70	21.59	21.58	
5	64QAM	12	0	20.54	20.48	20.48	21.80
5	64QAM	12	7	20.52	20.48	20.40	
5	64QAM	12	13	20.46	20.43	20.35	
5	64QAM	25	0	20.46	20.52	20.43	

<TDD-LTE Band 40B>

BW [MHz]	Modulation	RB Size	RB Offset	Low Channel	Middle Channel	High Channel	Tune-up limit (dBm)
Channel				39200			
Frequency (MHz)				2355			
10	QPSK	1	0		22.38		23.80
10	QPSK	1	25		22.57		
10	QPSK	1	49		22.69		
10	QPSK	25	0		21.59		22.80
10	QPSK	25	12		21.57		
10	QPSK	25	25		21.68		
10	QPSK	50	0		21.53		
10	16QAM	1	0		22.16		22.80
10	16QAM	1	25		21.87		
10	16QAM	1	49		22.19		
10	16QAM	25	0		20.58		22.80
10	16QAM	25	12		20.56		
10	16QAM	25	25		20.71		
10	16QAM	50	0		20.53		
10	64QAM	1	0		21.35		22.80
10	64QAM	1	25		21.63		
10	64QAM	1	49		21.85		
10	64QAM	25	0		20.61		



10	64QAM	25	12	20.57			
10	64QAM	25	25	20.63			
10	64QAM	50	0	20.65			
Channel				39175	39200	39225	Tune-up limit (dBm)
Frequency (MHz)				2352.5	2355	2357.5	
5	QPSK	1	0	22.44	22.34	22.56	23.80
5	QPSK	1	12	22.43	22.46	22.54	
5	QPSK	1	24	22.45	22.45	22.52	
5	QPSK	12	0	21.53	21.60	21.65	22.80
5	QPSK	12	7	21.50	21.53	21.63	
5	QPSK	12	13	21.45	21.56	21.56	
5	QPSK	25	0	21.56	21.47	21.56	
5	16QAM	1	0	22.08	21.88	21.96	22.80
5	16QAM	1	12	22.05	21.74	21.83	
5	16QAM	1	24	21.59	21.64	22.00	
5	16QAM	12	0	20.61	20.63	20.80	21.80
5	16QAM	12	7	20.54	20.68	20.56	
5	16QAM	12	13	20.55	20.60	20.61	
5	16QAM	25	0	20.69	20.52	20.62	
5	64QAM	1	0	21.39	21.68	21.85	22.80
5	64QAM	1	12	21.50	21.79	21.59	
5	64QAM	1	24	21.66	21.69	21.70	
5	64QAM	12	0	20.63	20.56	20.54	21.80
5	64QAM	12	7	20.48	20.62	20.51	
5	64QAM	12	13	20.47	20.62	20.55	
5	64QAM	25	0	20.50	20.56	20.56	



<TDD-LTE Band 41>

BW [MHz]	Modulation	RB Size	RB Offset	Low Channel	Middle Low Channel	Middle High Channel	High Channel	Tune-up limit (dBm)
Channel				40140	40400	40670	41140	
Frequency (MHz)				2545	2571	2598	2645	
20	QPSK	1	0	22.54	22.32	22.31	22.28	23.80
20	QPSK	1	49	22.53	22.31	22.26	22.19	
20	QPSK	1	99	22.58	22.11	22.42	22.15	
20	QPSK	50	0	21.47	21.64	21.57	21.35	22.80
20	QPSK	50	24	21.65	21.64	21.58	21.32	
20	QPSK	50	50	21.54	21.53	21.54	21.27	
20	QPSK	100	0	21.47	21.63	21.49	21.54	
20	16QAM	1	0	22.09	21.91	21.77	21.63	22.80
20	16QAM	1	49	21.75	21.79	21.87	21.62	
20	16QAM	1	99	21.98	21.62	21.64	21.60	
20	16QAM	50	0	20.55	20.59	20.55	20.49	21.80
20	16QAM	50	24	20.63	20.58	20.50	20.39	
20	16QAM	50	50	20.45	20.58	20.63	20.35	
20	16QAM	100	0	20.68	20.67	20.66	20.59	
20	64QAM	1	0	21.47	21.55	21.75	21.52	22.80
20	64QAM	1	49	21.88	21.73	21.83	21.38	
20	64QAM	1	99	21.84	21.39	21.59	21.45	
20	64QAM	50	0	20.57	20.59	20.55	20.42	21.80
20	64QAM	50	24	20.65	20.60	20.60	20.32	
20	64QAM	50	50	20.58	20.41	20.35	20.28	
20	64QAM	100	0	20.71	20.61	20.60	20.28	
Channel				40115	40395	40685	41165	Tune-up limit (dBm)
Frequency (MHz)				2542.5	2570.5	2599.5	2647.5	
15	QPSK	1	0	22.43	22.32	22.31	22.13	23.80
15	QPSK	1	37	22.41	22.45	22.44	22.11	
15	QPSK	1	74	21.97	22.09	22.05	22.11	
15	QPSK	36	0	21.52	21.58	21.63	21.37	22.80
15	QPSK	36	20	21.57	21.41	21.34	21.14	
15	QPSK	36	39	21.13	21.18	21.23	21.18	
15	QPSK	75	0	21.41	21.43	21.22	21.04	
15	16QAM	1	0	21.59	21.30	21.29	21.14	22.80



15	16QAM	1	37	21.58	21.40	21.20	21.11	
15	16QAM	1	74	21.45	21.17	21.19	21.48	
15	16QAM	36	0	20.49	20.58	20.56	20.38	21.80
15	16QAM	36	20	20.54	20.42	20.38	20.22	
15	16QAM	36	39	20.11	20.19	20.17	20.09	
15	16QAM	75	0	20.43	20.46	20.21	20.18	
15	64QAM	1	0	21.39	21.36	21.44	21.20	
15	64QAM	1	37	21.47	21.64	21.43	21.18	22.80
15	64QAM	1	74	21.23	21.38	21.45	21.34	
15	64QAM	36	0	20.57	20.58	20.56	20.42	21.80
15	64QAM	36	20	20.45	20.41	20.38	20.24	
15	64QAM	36	39	20.23	20.20	20.18	20.11	
15	64QAM	75	0	20.31	20.36	20.27	20.18	
Channel				40090	40390	40690	41190	
Frequency (MHz)				2540	2570	2600	2650	
10	QPSK	1	0	22.47	22.44	22.40	22.40	23.80
10	QPSK	1	25	22.42	22.37	22.46	22.40	
10	QPSK	1	49	22.35	22.44	22.52	22.31	
10	QPSK	25	0	21.76	21.71	21.60	21.28	22.80
10	QPSK	25	12	21.69	21.66	21.61	21.48	
10	QPSK	25	25	21.58	21.66	21.48	21.39	
10	QPSK	50	0	21.71	21.64	21.54	21.46	
10	16QAM	1	0	22.01	22.10	22.04	21.93	
10	16QAM	1	25	21.97	21.87	21.65	21.64	22.80
10	16QAM	1	49	22.04	21.82	21.84	21.69	
10	16QAM	25	0	20.67	20.76	20.60	20.69	21.80
10	16QAM	25	12	20.64	20.62	20.61	20.57	
10	16QAM	25	25	20.73	20.72	20.69	20.59	
10	16QAM	50	0	20.55	20.79	20.54	20.55	
10	64QAM	1	0	21.48	22.05	22.11	21.83	
10	64QAM	1	25	21.67	21.64	21.51	21.61	21.80
10	64QAM	1	49	21.97	21.68	21.78	21.10	
10	64QAM	25	0	20.72	20.79	20.60	20.61	20.80
10	64QAM	25	12	20.63	20.64	20.54	20.41	
10	64QAM	25	25	20.53	20.54	20.74	20.51	
10	64QAM	50	0	20.47	20.71	20.56	20.47	
Channel				40065	40385	40705	41215	



Frequency (MHz)				2537.5	2569.5	2601.5	2652.5	limit (dBm)
5	QPSK	1	0	22.26	22.22	22.50	22.33	23.80
5	QPSK	1	12	22.48	22.53	22.50	22.49	
5	QPSK	1	24	22.40	22.48	22.45	22.54	
5	QPSK	12	0	22.04	21.74	21.91	21.79	22.80
5	QPSK	12	7	22.01	21.81	21.87	21.84	
5	QPSK	12	13	21.99	21.84	21.73	21.69	
5	QPSK	25	0	21.75	21.56	21.52	21.55	
5	16QAM	1	0	22.16	21.88	21.92	21.78	22.80
5	16QAM	1	12	22.10	21.86	21.91	21.89	
5	16QAM	1	24	21.98	21.80	21.82	21.69	
5	16QAM	12	0	21.09	20.70	20.61	20.71	21.80
5	16QAM	12	7	21.03	20.67	20.78	20.76	
5	16QAM	12	13	20.69	20.60	20.61	20.59	
5	16QAM	25	0	20.67	20.63	20.62	20.60	
5	64QAM	1	0	21.74	21.77	21.83	21.79	22.80
5	64QAM	1	12	21.82	22.03	21.68	21.79	
5	64QAM	1	24	21.72	21.68	21.79	21.80	
5	64QAM	12	0	20.59	20.64	20.54	20.60	21.80
5	64QAM	12	7	20.66	20.62	20.52	20.59	
5	64QAM	12	13	20.65	20.53	20.55	20.64	
5	64QAM	25	0	20.73	20.63	20.56	20.67	

> **WLAN Conducted Power**
<2.4GHz WLAN>

	Mode	Channel	Frequency (MHz)	Average power (dBm)	Tune-Up Limit	Duty Cycle %
2.4GHz WLAN	802.11b 1Mbps	CH 1	2412	18.14	20.00	100.00
		CH 6	2437	18.04	20.00	
		CH 11	2462	17.78	19.50	
	802.11g 6Mbps	CH 1	2412	15.82	17.00	98.09
		CH 6	2437	15.74	17.00	
		CH 11	2462	15.59	17.00	
	802.11n-HT20 MCS0	CH 1	2412	14.53	16.00	97.96
		CH 6	2437	14.76	16.50	
		CH 11	2462	14.53	16.50	

Note:

- Per KDB 447498 D01v06, the 1-g SAR test exclusion thresholds for 100 MHz to 6 GHz at *test separation distances* ≤ 50 mm are determined by:

$$[(\text{max. power of channel, including tune-up tolerance, mW}) / (\text{min. test separation distance, mm})] \cdot [\sqrt{f(\text{GHz})}] \leq 3.0$$
 for 1-g SAR, where

- $f(\text{GHz})$ is the RF channel transmit frequency in GHz
- Power and distance are rounded to the nearest mW and mm before calculation
- The result is rounded to one decimal place for comparison

Channel	Frequency (GHz)	Max. Tune-up Power (dBm)	Max. Power (mW)	Test distance (mm)	Result	exclusion thresholds for 1-g SAR
CH 1	2.412	20.00	100.00	5	31.06	3.0

- Base on the result of note1, RF exposure evaluation of 802.11 b and g mode is required.
- Per KDB 248227 D01v02r02, choose the highest output power channel to test SAR and determine further SAR exclusion.
- Per KDB 248227 D01v02r02, In the 2.4 GHz band, separate SAR procedures are applied to DSSS and OFDM configurations to simplify DSSS test requirements. SAR is not required for the following 2.4 GHz OFDM conditions:
 - 1) When KDB Publication 447498 SAR test exclusion applies to the OFDM configuration.
 - 2) When the highest reported SAR for DSSS is adjusted by the ratio of OFDM to DSSS specified maximum output power and the adjusted SAR is ≤ 1.2 W/kg.
- The output power of all data rate were pre-scan, just the worst case (the lowest data rate) of all mode were shown in report.



<5.2GHz WLAN>

	Mode	Channel	Frequency (MHz)	Average power (dBm)	Tune-Up Limit	Duty Cycle %
5.2GHz WLAN	802.11a 6Mbps	CH 36	5180	15.11	17.00	98.29
		CH 40	5200	15.20	17.00	
		CH 48	5240	15.62	17.50	
	802.11n-HT20 MCS0	CH 36	5180	14.21	16.00	98.16
		CH 40	5200	14.17	16.00	
		CH 48	5240	14.77	16.00	
	802.11n-HT40 MCS0	CH 38	5190	11.59	13.50	96.34
		CH 46	5230	11.85	13.50	
	802.11ac-VHT20 MCS0	CH 36	5180	14.26	16.00	97.38
		CH 40	5200	14.29	16.00	
		CH 48	5240	15.13	17.00	
	802.11ac-VHT40 MCS0	CH 38	5190	11.59	13.50	96.36
		CH 46	5230	11.89	13.50	
	802.11ac-VHT80 MCS0	CH 42	5210	8.95	10.50	92.06

Note:

- Per KDB 447498 D01v06, the 1-g SAR test exclusion thresholds for 100 MHz to 6 GHz at *test separation distances* ≤50 mm are determined by:

$$[(\text{max. power of channel, including tune-up tolerance, mW}) / (\text{min. test separation distance, mm})] \cdot [\sqrt{f(\text{GHz})}] \leq 3.0 \text{ for 1-g SAR, where}$$

- f(GHz) is the RF channel transmit frequency in GHz
- Power and distance are rounded to the nearest mW and mm before calculation
- The result is rounded to one decimal place for comparison

Channel	Frequency (GHz)	Max. Tune-up Power (dBm)	Max. Power (mW)	Test distance (mm)	Result	exclusion thresholds for 1-g SAR
CH 48	5.240	17.50	56.23	5	25.75	3.0

- Per KDB 248227 D01v02r02, choose the highest output power channel to test SAR and determine further SAR exclusion.
- The output power of all data rate were pre-scan, just the worst case (the lowest data rate) of all mode were shown in report.

<5.3GHz WLAN>

	Mode	Channel	Frequency (MHz)	Average power (dBm)	Tune-Up Limit	Duty Cycle %
5.3GHz WLAN	802.11a 6Mbps	CH 52	5260	14.90	16.50	98.29
		CH 60	5300	15.25	17.00	
		CH 64	5320	15.50	17.50	
	802.11n-HT20 MCS0	CH 52	5260	13.80	15.50	98.16
		CH 60	5300	14.18	16.00	
		CH 64	5320	14.26	16.00	
	802.11n-HT40 MCS0	CH 54	5270	11.26	13.00	96.34
		CH 62	5310	11.67	13.50	
	802.11ac-VHT20 MCS0	CH 52	5260	13.84	15.50	97.38
		CH 60	5300	14.19	16.00	
		CH 64	5320	14.30	16.00	
	802.11ac-VHT40 MCS0	CH 54	5270	10.64	12.50	96.36
		CH 62	5310	10.95	12.50	
	802.11ac-VHT80 MCS0	CH 58	5290	9.21	11.00	92.06

Note:

- Per KDB 447498 D01v06, the 1-g SAR test exclusion thresholds for 100 MHz to 6 GHz at *test separation distances* ≤50 mm are determined by:

$$[(\text{max. power of channel, including tune-up tolerance, mW}) / (\text{min. test separation distance, mm})] \cdot [\sqrt{f(\text{GHz})}] \leq 3.0$$
 for 1-g SAR, where

- f(GHz) is the RF channel transmit frequency in GHz
- Power and distance are rounded to the nearest mW and mm before calculation
- The result is rounded to one decimal place for comparison

Channel	Frequency (GHz)	Max. Tune-up Power (dBm)	Max. Power (mW)	Test distance (mm)	Result	exclusion thresholds for 1-g SAR
CH 64	5.320	17.50	56.23	5	25.94	3.0

- Per KDB 248227 D01v02r02, choose the highest output power channel to test SAR and determine further SAR exclusion.
- The output power of all data rate were pre-scan, just the worst case (the lowest data rate) of all mode were shown in report.

<5.5GHz WLAN>

	Mode	Channel	Frequency (MHz)	Average power (dBm)	Tune-Up Limit	Duty Cycle %
5.5GHz WLAN	802.11a 6Mbps	CH 100	5500	15.36	17.00	98.29
		CH 120	5600	15.38	17.00	
		CH 144	5720	15.02	17.00	
	802.11n-HT20 MCS0	CH 100	5500	13.23	15.00	98.16
		CH 120	5600	14.83	16.50	
		CH 144	5720	14.00	16.00	
	802.11n-HT40 MCS0	CH 102	5510	10.62	12.50	96.34
		CH 118	5590	12.01	14.00	
		CH 142	5710	11.40	13.00	
	802.11ac-VHT20 MCS0	CH 100	5500	13.25	15.00	97.38
		CH 120	5600	14.87	16.50	
		CH 144	5720	14.01	16.00	
	802.11ac-VHT40 MCS0	CH 102	5510	10.57	12.50	96.36
		CH 118	5590	10.78	12.50	
		CH 142	5710	11.40	13.00	
	802.11ac-VHT80 MCS0	CH 106	5530	9.26	11.00	92.06
		CH 138	5690	9.24	11.00	

Note:

- Per KDB 447498 D01v06, the 1-g SAR test exclusion thresholds for 100 MHz to 6 GHz at *test separation distances* ≤ 50 mm are determined by:

$[(\text{max. power of channel, including tune-up tolerance, mW}) / (\text{min. test separation distance, mm})] \cdot [\sqrt{f(\text{GHz})}] \leq 3.0$ for 1-g SAR, where

- $f(\text{GHz})$ is the RF channel transmit frequency in GHz
- Power and distance are rounded to the nearest mW and mm before calculation
- The result is rounded to one decimal place for comparison

Channel	Frequency (GHz)	Max. Tune-up Power (dBm)	Max. Power (mW)	Test distance (mm)	Result	exclusion thresholds for 1-g SAR
CH 120	5.600	17.00	50.12	5	23.72	3.0

- Per KDB 248227 D01v02r02, choose the highest output power channel to test SAR and determine further SAR exclusion.
- The output power of all data rate were pre-scan, just the worst case (the lowest data rate) of all mode were shown in report.

<5.8GHz WLAN>

	Mode	Channel	Frequency (MHz)	Average power (dBm)	Tune-Up Limit	Duty Cycle %
5.8GHz WLAN	802.11a MCS0	CH 149	5745	16.84	18.50	98.29
		CH 157	5785	16.25	18.00	
		CH 165	5825	16.27	18.00	
	802.11n-HT20 MCS0	CH 149	5745	16.45	18.00	98.16
		CH 157	5785	16.25	18.00	
		CH 165	5825	16.35	18.00	
	802.11n-HT40 MCS0	CH 151	5755	13.25	15.00	96.34
		CH 159	5795	13.56	15.50	
	802.11ac-VHT20 MCS0	CH 149	5745	16.35	18.00	97.38
		CH 157	5785	16.54	18.50	
		CH 165	5825	16.24	18.00	
	802.11ac-VHT40 MCS0	CH 151	5755	13.22	15.00	96.36
		CH 159	5795	13.84	15.50	
	802.11ac-VHT80 MCS0	CH 155	5775	11.25	13.00	92.06

Note:

- Per KDB 447498 D01v06, the 1-g SAR test exclusion thresholds for 100 MHz to 6 GHz at *test separation distances* ≤50 mm are determined by:

$$[(\text{max. power of channel, including tune-up tolerance, mW}) / (\text{min. test separation distance, mm})] \cdot [\sqrt{f(\text{GHz})}] \leq 3.0$$
 for 1-g SAR, where

- f(GHz) is the RF channel transmit frequency in GHz
- Power and distance are rounded to the nearest mW and mm before calculation
- The result is rounded to one decimal place for comparison

Channel	Frequency (GHz)	Max. Tune-up Power (dBm)	Max. Power (mW)	Test distance (mm)	Result	exclusion thresholds for 1-g SAR
CH 149	5.745	18.50	70.79	5	33.94	3.0

- Per KDB 248227 D01v02r02, choose the highest output power channel to test SAR and determine further SAR exclusion.
- The output power of all data rate were pre-scan, just the worst case (the lowest data rate) of all mode were shown in report.

> **Bluetooth Conducted Power**

Mode	Channel	Frequency (MHz)	Average power (dBm)		
			1Mbps	2Mbps	3Mbps
BR / EDR	CH 00	2402	8.68	7.19	7.13
	CH 39	2441	9.76	8.31	8.24
	CH 78	2480	9.29	7.98	7.98
Tune-up Limit (dBm)			10.50	9.00	9.00

Mode	Channel	Frequency (MHz)	Average power (dBm)
			3.01
LE	CH 00	2402	2.67
	CH 19	2440	4.50
	CH 39	2480	3.01
Tune-up Limit (dBm)			5.00

Note:

- Per KDB 447498 D01v06, the 1-g SAR test exclusion thresholds for 100 MHz to 6 GHz at *test separation distances* ≤50 mm are determined by:

$[(\text{max. power of channel, including tune-up tolerance, mW}) / (\text{min. test separation distance, mm})] \cdot [\sqrt{f(\text{GHz})}] \leq 3.0$ for 1-g SAR, where

- $f(\text{GHz})$ is the RF channel transmit frequency in GHz
- Power and distance are rounded to the nearest mW and mm before calculation
- The result is rounded to one decimal place for comparison

Channel	Frequency (GHz)	Max. Tune-up Power (dBm)	Max. Power (mW)	Test distance (mm)	Result	exclusion thresholds for 1-g SAR
CH 39	2.441	10.50	11.22	10	1.75	3.0

- Per KDB 248227 D01v02r02, choose the highest output power channel to test SAR and determine further SAR exclusion.
- The output power of all data rate were pre-scan, just the worst case (the lowest data rate) of all mode were shown in report.
- Per KDB 248227 D01V02r02 section 2.2, when the EUT in continuously transmitting mode, the actual duty cycle is 100%, so the duty cycle factor is 1.
- Held-to ear configuration is not applicable to Bluetooth operations and therefore were not considered for simultaneous transmission.

13.2. Conducted Reduced Power

➤ For WWAN Top Antenna

< GSM1900 >

GSM1900	Burst Average Power (dBm)			Tune-up Limit (dBm)	Frame-Average Power (dBm)			Tune-up Limit (dBm)
	TX Channel	512	661		810	512	661	
Frequency (MHz)	1850.2	1880	1909.8		1850.2	1880	1909.8	
GSM 1 Tx slot	25.36	25.24	25.29	26.30	16.36	16.24	16.29	17.30
GPRS 1 Tx slot	25.40	25.15	25.24	26.30	16.40	16.15	16.24	17.30
GPRS 2 Tx slots	25.24	24.94	25.13	25.30	19.24	18.94	19.13	19.30
GPRS 3 Tx slots	25.11	24.80	25.03	25.30	20.85	20.54	20.77	21.04
GPRS 4 Tx slots	24.88	24.71	24.81	25.30	21.88	21.71	21.81	22.30
EDGE 1 Tx slot	21.26	21.04	21.09	21.30	12.26	12.04	12.09	12.30
EDGE 2 Tx slots	21.16	20.85	21.00	21.30	15.16	14.85	15.00	15.30
EDGE 3 Tx slots	21.00	20.73	20.85	21.30	16.74	16.47	16.59	17.04
EDGE 4 Tx slots	20.88	20.63	20.70	21.30	17.88	17.63	17.70	18.30

Note: When the sensor is active, the power of top antenna will be reduced about 4dB and used for head measurement.

< GSM1900 >

GSM1900	Burst Average Power (dBm)			Tune-up Limit (dBm)	Frame-Average Power (dBm)			Tune-up Limit (dBm)
	TX Channel	512	661		810	512	661	
Frequency (MHz)	1850.2	1880	1909.8		1850.2	1880	1909.8	
GSM 1 Tx slot	27.27	27.15	27.20	28.30	18.27	18.15	18.20	19.30
GPRS 1 Tx slot	27.31	27.06	27.15	28.30	18.31	18.06	18.15	19.30
GPRS 2 Tx slots	27.15	26.85	27.04	27.30	21.15	20.85	21.04	21.30
GPRS 3 Tx slots	27.02	26.71	26.94	27.30	22.76	22.45	22.68	23.04
GPRS 4 Tx slots	26.79	26.62	26.72	27.30	23.79	23.62	23.72	24.30
EDGE 1 Tx slot	23.17	22.95	23.00	23.30	14.17	13.95	14.00	14.30
EDGE 2 Tx slots	23.07	22.76	22.91	23.30	17.07	16.76	16.91	17.30
EDGE 3 Tx slots	22.91	22.64	22.76	23.30	18.65	18.38	18.50	19.04
EDGE 4 Tx slots	22.79	22.54	22.61	23.30	19.79	19.54	19.61	20.30

Note: When the sensor is active, the power of top antenna will be reduced about 2dB and used for body measurement.



<WCDMA Band II>

Band		WCDMA Band II			Tune-up Limit (dBm)
TX Channel		9262	9400	9538	
Rx Channel		9662	9800	9938	
Frequency (MHz)		1852.4	1880	1907.6	
3GPP Rel 99	RMC 12.2Kbps	16.99	17.02	17.03	17.80
3GPP Rel 5	HSDPA Subtest-1	15.35	15.39	15.34	15.80
3GPP Rel 5	HSDPA Subtest-2	14.43	14.38	14.44	15.80
3GPP Rel 5	HSDPA Subtest-3	13.70	13.56	13.71	15.30
3GPP Rel 5	HSDPA Subtest-4	13.59	13.50	13.53	15.30
3GPP Rel 8	DC-HSDPA Subtest-1	15.34	15.38	15.33	16.80
3GPP Rel 8	DC-HSDPA Subtest-2	14.42	14.37	14.43	16.80
3GPP Rel 8	DC-HSDPA Subtest-3	13.69	13.55	13.70	16.30
3GPP Rel 8	DC-HSDPA Subtest-4	13.58	13.49	13.52	15.80
3GPP Rel 6	HSUPA Subtest-1	14.59	14.41	14.40	15.80
3GPP Rel 6	HSUPA Subtest-2	14.54	14.37	14.31	14.80
3GPP Rel 6	HSUPA Subtest-3	14.28	14.08	14.03	14.80
3GPP Rel 6	HSUPA Subtest-4	15.51	15.36	15.29	15.80
3GPP Rel 6	HSUPA Subtest-5	14.45	14.28	14.30	15.80
3GPP Rel 7	HSPA+ (16QAM) Subtest-1	13.61	13.47	13.44	14.80

Note: When the sensor is active, the power of top antenna will be reduced about 6dB and used for head measurement.

<WCDMA Band II>

Band		WCDMA Band II			Tune-up Limit (dBm)
TX Channel		9262	9400	9538	
Rx Channel		9662	9800	9938	
Frequency (MHz)		1852.4	1880	1907.6	
3GPP Rel 99	RMC 12.2Kbps	19.93	19.96	19.97	20.80
3GPP Rel 5	HSDPA Subtest-1	18.35	18.39	18.34	18.80
3GPP Rel 5	HSDPA Subtest-2	17.43	17.38	17.44	18.80
3GPP Rel 5	HSDPA Subtest-3	16.70	16.56	16.71	18.30
3GPP Rel 5	HSDPA Subtest-4	16.59	16.50	16.53	18.30
3GPP Rel 8	DC-HSDPA Subtest-1	18.34	18.38	18.33	18.80
3GPP Rel 8	DC-HSDPA Subtest-2	17.42	17.37	17.43	18.80
3GPP Rel 8	DC-HSDPA Subtest-3	16.69	16.55	16.70	18.30
3GPP Rel 8	DC-HSDPA Subtest-4	16.58	16.49	16.52	18.30
3GPP Rel 6	HSUPA Subtest-1	17.59	17.41	17.40	18.80
3GPP Rel 6	HSUPA Subtest-2	17.54	17.37	17.31	17.80



3GPP Rel 6	HSUPA Subtest-3	17.28	17.08	17.03	17.80
3GPP Rel 6	HSUPA Subtest-4	18.51	18.36	18.29	18.80
3GPP Rel 6	HSUPA Subtest-5	17.45	17.28	17.30	18.80
3GPP Rel 7	HSPA+ (16QAM) Subtest-1	16.61	16.47	16.44	17.80

Note: When the sensor is active, the power of top antenna will be reduced about 3dB and used for body measurement.

<WCDMA Band IV>

Band		WCDMA Band IV			Tune-up Limit (dBm)
TX Channel		1312	1413	1513	
Rx Channel		1537	1638	1738	
Frequency (MHz)		1712.4	1732.6	1752.6	
3GPP Rel 99	RMC 12.2Kbps	16.76	16.75	16.80	17.80
3GPP Rel 5	HSDPA Subtest-1	15.47	15.43	15.38	15.80
3GPP Rel 5	HSDPA Subtest-2	14.50	14.43	14.41	15.80
3GPP Rel 5	HSDPA Subtest-3	13.66	13.71	13.65	15.30
3GPP Rel 5	HSDPA Subtest-4	13.57	13.62	13.58	15.30
3GPP Rel 8	DC-HSDPA Subtest-1	15.57	15.51	15.58	16.80
3GPP Rel 8	DC-HSDPA Subtest-2	15.48	15.46	15.53	16.80
3GPP Rel 8	DC-HSDPA Subtest-3	14.95	14.97	15.04	16.30
3GPP Rel 8	DC-HSDPA Subtest-4	15.01	14.99	15.03	15.80
3GPP Rel 6	HSUPA Subtest-1	14.51	14.43	14.41	15.80
3GPP Rel 6	HSUPA Subtest-2	14.49	14.40	14.37	14.80
3GPP Rel 6	HSUPA Subtest-3	14.18	14.09	14.11	14.80
3GPP Rel 6	HSUPA Subtest-4	15.45	15.38	15.39	15.80
3GPP Rel 6	HSUPA Subtest-5	14.39	14.33	14.30	15.80
3GPP Rel 7	HSPA+ (16QAM) Subtest-1	13.25	13.17	13.24	13.30

Note: When the sensor is active, the power of top antenna will be reduced about 6dB and used for head measurement.



<WCDMA Band IV>

Band		WCDMA Band IV			Tune-up Limit (dBm)
TX Channel		1312	1413	1513	
Rx Channel		1537	1638	1738	
Frequency (MHz)		1712.4	1732.6	1752.6	
3GPP Rel 99	RMC 12.2Kbps	20.82	20.81	20.86	21.80
3GPP Rel 5	HSDPA Subtest-1	19.47	19.43	19.38	19.80
3GPP Rel 5	HSDPA Subtest-2	18.50	18.43	18.41	19.80
3GPP Rel 5	HSDPA Subtest-3	17.66	17.71	17.65	19.30
3GPP Rel 5	HSDPA Subtest-4	17.57	17.62	17.58	19.30
3GPP Rel 8	DC-HSDPA Subtest-1	19.57	19.51	19.58	19.80
3GPP Rel 8	DC-HSDPA Subtest-2	19.48	19.46	19.53	19.80
3GPP Rel 8	DC-HSDPA Subtest-3	18.95	18.97	19.04	19.30
3GPP Rel 8	DC-HSDPA Subtest-4	19.01	18.99	19.03	19.30
3GPP Rel 6	HSUPA Subtest-1	18.51	18.43	18.41	19.80
3GPP Rel 6	HSUPA Subtest-2	18.49	18.40	18.37	18.80
3GPP Rel 6	HSUPA Subtest-3	18.18	18.09	18.11	18.80
3GPP Rel 6	HSUPA Subtest-4	19.45	19.38	19.39	19.80
3GPP Rel 6	HSUPA Subtest-5	18.39	18.33	18.30	19.80
3GPP Rel 7	HSPA+ (16QAM) Subtest-1	17.25	17.17	17.24	17.30

Note: When the sensor is active, the power of top antenna will be reduced about 2dB and used for body measurement.



<FDD-LTE Band 2>

BW [MHz]	Modulation	RB Size	RB Offset	Low Channel	Middle Channel	High Channel	Tune-up limit (dBm)
Channel				18700	18900	19100	
Frequency (MHz)				1860	1880	1900	
20	QPSK	1	0	19.03	19.04	18.87	19.80
20	QPSK	1	49	19.24	18.91	19.11	
20	QPSK	1	99	18.92	18.85	18.85	
20	QPSK	50	0	18.23	18.05	17.97	18.80
20	QPSK	50	24	18.06	17.98	18.14	
20	QPSK	50	50	18.06	17.91	17.97	
20	QPSK	100	0	18.15	18.10	18.03	
20	16QAM	1	0	18.48	18.22	18.27	18.80
20	16QAM	1	49	18.36	18.20	18.60	
20	16QAM	1	99	18.43	18.33	18.16	
20	16QAM	50	0	17.23	17.03	16.98	17.80
20	16QAM	50	24	17.01	17.03	17.01	
20	16QAM	50	50	16.96	16.93	16.83	
20	16QAM	100	0	17.10	17.02	17.01	
20	64QAM	1	0	18.13	18.01	18.18	18.80
20	64QAM	1	49	17.78	18.04	18.34	
20	64QAM	1	99	18.03	18.01	18.05	
20	64QAM	50	0	17.12	17.08	16.91	17.80
20	64QAM	50	24	17.04	16.99	17.00	
20	64QAM	50	50	16.98	16.89	16.85	
20	64QAM	100	0	17.21	17.09	17.13	
Channel				18675	18900	19125	Tune-up limit (dBm)
Frequency (MHz)				1857.5	1880	1902.5	
15	QPSK	1	0	19.15	19.22	19.18	19.80
15	QPSK	1	37	19.16	19.11	19.17	
15	QPSK	1	74	19.02	19.17	18.87	
15	QPSK	36	0	18.12	18.00	18.01	18.80
15	QPSK	36	20	18.17	18.00	17.97	
15	QPSK	36	39	18.12	17.91	17.79	
15	QPSK	75	0	18.10	18.08	18.04	
15	16QAM	1	0	18.48	18.59	18.21	18.80
15	16QAM	1	37	18.62	18.28	18.56	



15	16QAM	1	74	18.50	18.58	18.14	
15	16QAM	36	0	17.22	17.03	16.97	17.80
15	16QAM	36	20	17.23	16.94	16.95	
15	16QAM	36	39	17.01	16.91	16.75	
15	16QAM	75	0	17.14	16.98	17.01	
15	64QAM	1	0	18.04	18.03	18.16	
15	64QAM	1	37	18.40	18.37	18.09	18.80
15	64QAM	1	74	17.98	18.04	18.13	
15	64QAM	36	0	17.05	16.99	17.02	
15	64QAM	36	20	17.20	16.99	16.99	17.80
15	64QAM	36	39	17.12	16.86	16.83	
15	64QAM	75	0	17.13	16.94	16.82	
Channel				18650	18900	19150	Tune-up limit (dBm)
Frequency (MHz)				1855	1880	1905	
10	QPSK	1	0	18.92	19.07	18.88	19.80
10	QPSK	1	25	19.11	18.96	19.11	
10	QPSK	1	49	19.12	18.85	18.90	
10	QPSK	25	0	18.12	18.10	17.95	18.80
10	QPSK	25	12	18.09	17.91	17.88	
10	QPSK	25	25	18.17	18.00	18.19	
10	QPSK	50	0	18.08	17.95	17.89	
10	16QAM	1	0	18.53	18.38	18.58	18.80
10	16QAM	1	25	18.36	18.15	18.09	
10	16QAM	1	49	18.39	18.28	18.11	
10	16QAM	25	0	16.80	17.04	16.87	17.80
10	16QAM	25	12	17.13	16.92	16.88	
10	16QAM	25	25	17.14	17.05	16.98	
10	16QAM	50	0	17.23	17.05	17.09	
10	64QAM	1	0	17.88	18.19	18.24	18.80
10	64QAM	1	25	18.23	18.05	17.76	
10	64QAM	1	49	18.22	17.82	17.78	
10	64QAM	25	0	16.73	17.10	17.00	17.80
10	64QAM	25	12	17.10	16.92	16.83	
10	64QAM	25	25	17.16	16.99	16.97	
10	64QAM	50	0	17.06	17.02	17.00	
Channel				18625	18900	19175	Tune-up limit
Frequency (MHz)				1852.5	1880	1907.5	



							(dBm)
5	QPSK	1	0	19.26	19.10	19.10	19.80
5	QPSK	1	12	19.18	19.01	19.07	
5	QPSK	1	24	19.27	19.14	19.20	
5	QPSK	12	0	18.17	18.04	18.03	18.80
5	QPSK	12	7	18.20	18.04	17.97	
5	QPSK	12	13	18.10	17.99	18.06	
5	QPSK	25	0	18.33	17.98	18.04	
5	16QAM	1	0	18.39	18.54	18.60	18.80
5	16QAM	1	12	18.18	18.15	18.50	
5	16QAM	1	24	18.39	18.62	18.15	
5	16QAM	12	0	17.19	17.09	17.05	17.80
5	16QAM	12	7	17.18	17.11	16.99	
5	16QAM	12	13	17.20	16.98	16.77	
5	16QAM	25	0	17.14	17.03	16.94	
5	64QAM	1	0	18.32	18.15	18.33	18.80
5	64QAM	1	12	18.41	18.46	18.24	
5	64QAM	1	24	18.41	18.28	18.03	
5	64QAM	12	0	17.07	16.91	17.15	17.80
5	64QAM	12	7	17.25	16.93	16.86	
5	64QAM	12	13	17.22	17.10	16.79	
5	64QAM	25	0	17.28	16.95	16.96	
Channel				18615	18900	19185	Tune-up limit (dBm)
Frequency (MHz)				1851.5	1880	1908.5	
3	QPSK	1	0	19.21	18.91	18.94	19.80
3	QPSK	1	8	19.17	18.96	18.94	
3	QPSK	1	14	19.16	18.98	18.76	
3	QPSK	8	0	18.19	18.06	18.17	18.80
3	QPSK	8	4	18.26	17.94	18.19	
3	QPSK	8	7	18.24	17.89	17.94	
3	QPSK	15	0	18.18	17.92	18.03	
3	16QAM	1	0	18.57	18.48	18.26	18.80
3	16QAM	1	8	18.35	18.37	18.21	
3	16QAM	1	14	18.58	18.19	18.33	
3	16QAM	8	0	16.97	16.93	17.00	17.80
3	16QAM	8	4	17.26	17.04	16.97	
3	16QAM	8	7	17.09	16.99	17.06	



3	16QAM	15	0	17.13	17.09	17.11	
3	64QAM	1	0	18.31	18.14	18.32	18.80
3	64QAM	1	8	18.40	18.45	18.23	
3	64QAM	1	14	18.40	18.27	18.02	
3	64QAM	8	0	17.06	16.90	17.14	17.80
3	64QAM	8	4	17.24	16.92	16.85	
3	64QAM	8	7	17.21	17.09	16.78	
3	64QAM	15	0	17.27	16.94	16.95	
Channel				18607	18900	19193	Tune-up limit (dBm)
Frequency (MHz)				1850.7	1880	1909.3	
1.4	QPSK	1	0	19.16	18.97	18.98	19.80
1.4	QPSK	1	3	19.00	19.14	19.22	
1.4	QPSK	1	5	19.05	18.90	19.11	
1.4	QPSK	3	0	19.08	18.89	19.33	19.80
1.4	QPSK	3	1	19.13	19.13	19.01	
1.4	QPSK	3	3	19.27	19.00	19.01	
1.4	QPSK	6	0	18.13	17.86	17.97	
1.4	16QAM	1	0	18.47	18.11	18.40	18.80
1.4	16QAM	1	3	18.14	18.50	18.08	
1.4	16QAM	1	5	18.28	18.40	18.31	
1.4	16QAM	3	0	18.16	18.04	18.05	17.80
1.4	16QAM	3	1	18.17	18.07	17.91	
1.4	16QAM	3	3	18.26	17.81	18.25	
1.4	16QAM	6	0	17.04	16.94	17.11	
1.4	64QAM	1	0	17.87	18.18	18.23	18.80
1.4	64QAM	1	3	18.22	18.04	17.75	
1.4	64QAM	1	5	18.21	17.81	17.77	
1.4	64QAM	3	0	16.72	17.09	16.99	17.80
1.4	64QAM	3	1	17.09	16.91	16.82	
1.4	64QAM	3	3	17.15	16.98	16.96	
1.4	64QAM	6	0	17.05	17.01	16.99	

Note: When the sensor is active, the power of top antenna will be reduced about 4dB and used for head measurement.



<FDD-LTE Band 2>

BW [MHz]	Modulation	RB Size	RB Offset	Low Channel	Middle Channel	High Channel	Tune-up limit (dBm)
Channel				18700	18900	19100	
Frequency (MHz)				1860	1880	1900	
20	QPSK	1	0	20.95	20.96	20.79	21.80
20	QPSK	1	49	21.16	20.83	21.03	
20	QPSK	1	99	20.84	20.77	20.77	
20	QPSK	50	0	20.15	19.97	19.89	20.80
20	QPSK	50	24	19.98	19.90	20.06	
20	QPSK	50	50	19.98	19.83	19.89	
20	QPSK	100	0	20.07	20.02	19.95	
20	16QAM	1	0	20.40	20.14	20.19	20.80
20	16QAM	1	49	20.28	20.12	20.52	
20	16QAM	1	99	20.35	20.25	20.08	
20	16QAM	50	0	19.15	18.95	18.90	19.80
20	16QAM	50	24	18.93	18.95	18.93	
20	16QAM	50	50	18.88	18.85	18.75	
20	16QAM	100	0	19.02	18.94	18.93	
20	64QAM	1	0	20.05	19.93	20.10	20.80
20	64QAM	1	49	19.70	19.96	20.26	
20	64QAM	1	99	19.95	19.93	19.97	
20	64QAM	50	0	19.04	19.00	18.83	19.80
20	64QAM	50	24	18.96	18.91	18.92	
20	64QAM	50	50	18.90	18.81	18.77	
20	64QAM	100	0	19.13	19.01	19.05	
Channel				18675	18900	19125	Tune-up limit (dBm)
Frequency (MHz)				1857.5	1880	1902.5	
15	QPSK	1	0	21.07	21.14	21.10	21.80
15	QPSK	1	37	21.08	21.03	21.09	
15	QPSK	1	74	20.94	21.09	20.79	
15	QPSK	36	0	20.04	19.92	19.93	20.80
15	QPSK	36	20	20.09	19.92	19.89	
15	QPSK	36	39	20.04	19.83	19.71	
15	QPSK	75	0	20.02	20.00	19.96	
15	16QAM	1	0	20.40	20.51	20.13	20.80
15	16QAM	1	37	20.54	20.20	20.48	



15	16QAM	1	74	20.42	20.50	20.06	
15	16QAM	36	0	19.14	18.95	18.89	19.80
15	16QAM	36	20	19.15	18.86	18.87	
15	16QAM	36	39	18.93	18.83	18.67	
15	16QAM	75	0	19.06	18.90	18.93	
15	64QAM	1	0	19.96	19.95	20.08	20.80
15	64QAM	1	37	20.32	20.29	20.01	
15	64QAM	1	74	19.90	19.96	20.05	
15	64QAM	36	0	18.97	18.91	18.94	19.80
15	64QAM	36	20	19.12	18.91	18.91	
15	64QAM	36	39	19.04	18.78	18.75	
15	64QAM	75	0	19.05	18.86	18.74	
Channel				18650	18900	19150	Tune-up limit (dBm)
Frequency (MHz)				1855	1880	1905	
10	QPSK	1	0	20.84	20.99	20.80	21.80
10	QPSK	1	25	21.03	20.88	21.03	
10	QPSK	1	49	21.04	20.77	20.82	
10	QPSK	25	0	20.04	20.02	19.87	20.80
10	QPSK	25	12	20.01	19.83	19.80	
10	QPSK	25	25	20.09	19.92	20.11	
10	QPSK	50	0	20.00	19.87	19.81	
10	16QAM	1	0	20.45	20.30	20.50	20.80
10	16QAM	1	25	20.28	20.07	20.01	
10	16QAM	1	49	20.31	20.20	20.03	
10	16QAM	25	0	18.72	18.96	18.79	19.80
10	16QAM	25	12	19.05	18.84	18.80	
10	16QAM	25	25	19.06	18.97	18.90	
10	16QAM	50	0	19.15	18.97	19.01	
10	64QAM	1	0	19.80	20.11	20.16	20.80
10	64QAM	1	25	20.15	19.97	19.68	
10	64QAM	1	49	20.14	19.74	19.70	
10	64QAM	25	0	18.65	19.02	18.92	19.80
10	64QAM	25	12	19.02	18.84	18.75	
10	64QAM	25	25	19.08	18.91	18.89	
10	64QAM	50	0	18.98	18.94	18.92	
Channel				18625	18900	19175	Tune-up limit
Frequency (MHz)				1852.5	1880	1907.5	



							(dBm)
5	QPSK	1	0	21.18	21.02	21.02	21.80
5	QPSK	1	12	21.10	20.93	20.99	
5	QPSK	1	24	21.19	21.06	21.12	
5	QPSK	12	0	20.09	19.96	19.95	20.80
5	QPSK	12	7	20.12	19.96	19.89	
5	QPSK	12	13	20.02	19.91	19.98	
5	QPSK	25	0	20.25	19.90	19.96	
5	16QAM	1	0	20.31	20.46	20.52	20.80
5	16QAM	1	12	20.10	20.07	20.42	
5	16QAM	1	24	20.31	20.54	20.07	
5	16QAM	12	0	19.11	19.01	18.97	19.80
5	16QAM	12	7	19.10	19.03	18.91	
5	16QAM	12	13	19.12	18.90	18.69	
5	16QAM	25	0	19.06	18.95	18.86	
5	64QAM	1	0	20.24	20.07	20.25	20.80
5	64QAM	1	12	20.33	20.38	20.16	
5	64QAM	1	24	20.33	20.20	19.95	
5	64QAM	12	0	18.99	18.83	19.07	19.80
5	64QAM	12	7	19.17	18.85	18.78	
5	64QAM	12	13	19.14	19.02	18.71	
5	64QAM	25	0	19.20	18.87	18.88	
Channel				18615	18900	19185	Tune-up limit (dBm)
Frequency (MHz)				1851.5	1880	1908.5	
3	QPSK	1	0	21.13	20.83	20.86	21.80
3	QPSK	1	8	21.09	20.88	20.86	
3	QPSK	1	14	21.08	20.90	20.68	
3	QPSK	8	0	20.11	19.98	20.09	20.80
3	QPSK	8	4	20.18	19.86	20.11	
3	QPSK	8	7	20.16	19.81	19.86	
3	QPSK	15	0	20.10	19.84	19.95	
3	16QAM	1	0	20.49	20.40	20.18	20.80
3	16QAM	1	8	20.27	20.29	20.13	
3	16QAM	1	14	20.50	20.11	20.25	
3	16QAM	8	0	18.89	18.85	18.92	19.80
3	16QAM	8	4	19.18	18.96	18.89	
3	16QAM	8	7	19.01	18.91	18.98	



3	16QAM	15	0	19.05	19.01	19.03	20.80
3	64QAM	1	0	20.12	19.95	20.13	
3	64QAM	1	8	20.21	20.26	20.04	
3	64QAM	1	14	20.21	20.08	19.83	19.80
3	64QAM	8	0	18.87	18.71	18.95	
3	64QAM	8	4	19.05	18.73	18.66	
3	64QAM	8	7	19.02	18.90	18.59	
3	64QAM	15	0	19.08	18.75	18.76	Tune-up limit (dBm)
Channel				18607	18900	19193	
Frequency (MHz)				1850.7	1880	1909.3	
1.4	QPSK	1	0	21.08	20.89	20.90	21.80
1.4	QPSK	1	3	20.92	21.06	21.14	
1.4	QPSK	1	5	20.97	20.82	21.03	
1.4	QPSK	3	0	21.00	20.81	21.25	21.80
1.4	QPSK	3	1	21.05	21.05	20.93	
1.4	QPSK	3	3	21.19	20.92	20.93	
1.4	QPSK	6	0	20.05	19.78	19.89	
1.4	16QAM	1	0	20.39	20.03	20.32	20.80
1.4	16QAM	1	3	20.06	20.42	20.00	
1.4	16QAM	1	5	20.20	20.32	20.23	
1.4	16QAM	3	0	20.08	19.96	19.97	19.80
1.4	16QAM	3	1	20.09	19.99	19.83	
1.4	16QAM	3	3	20.18	19.73	20.17	
1.4	16QAM	6	0	18.96	18.86	19.03	
1.4	64QAM	1	0	19.68	19.99	20.04	20.80
1.4	64QAM	1	3	20.03	19.85	19.56	
1.4	64QAM	1	5	20.02	19.62	19.58	
1.4	64QAM	3	0	18.53	18.90	18.80	19.80
1.4	64QAM	3	1	18.90	18.72	18.63	
1.4	64QAM	3	3	18.96	18.79	18.77	
1.4	64QAM	6	0	18.86	18.82	18.80	

Note: When the sensor is active, the power of top antenna will be reduced about 2dB and used for body measurement.



<FDD-LTE Band 4>

BW [MHz]	Modulation	RB Size	RB Offset	Low Channel	Middle Channel	High Channel	Tune-up limit (dBm)
Channel				20050	20175	20300	
Frequency (MHz)				1720	1732.5	1745	
20	QPSK	1	0	20.94	20.97	21.04	21.80
20	QPSK	1	49	20.88	20.91	20.91	
20	QPSK	1	99	21.08	21.30	21.26	
20	QPSK	50	0	20.12	20.09	20.09	20.80
20	QPSK	50	24	20.01	19.99	19.99	
20	QPSK	50	50	20.01	20.19	19.99	
20	QPSK	100	0	20.09	20.02	20.09	
20	16QAM	1	0	20.19	20.27	20.16	20.80
20	16QAM	1	49	20.19	20.36	20.21	
20	16QAM	1	99	20.55	20.18	20.65	
20	16QAM	50	0	19.07	18.92	19.01	19.80
20	16QAM	50	24	19.00	18.95	18.95	
20	16QAM	50	50	19.03	19.00	19.04	
20	16QAM	100	0	19.03	18.96	18.99	
20	64QAM	1	0	20.21	20.22	20.02	20.80
20	64QAM	1	49	19.93	19.85	19.88	
20	64QAM	1	99	20.22	20.33	20.24	
20	64QAM	50	0	19.03	18.89	19.03	19.80
20	64QAM	50	24	18.92	18.93	18.99	
20	64QAM	50	50	19.14	19.00	19.13	
20	64QAM	100	0	19.05	18.96	19.06	
Channel				20025	20175	20325	
Frequency (MHz)				1717.5	1732.5	1747.5	
15	QPSK	1	0	20.80	20.83	20.90	21.80
15	QPSK	1	37	20.74	20.77	20.77	
15	QPSK	1	74	20.94	21.16	21.12	
15	QPSK	36	0	19.98	19.85	20.05	20.80
15	QPSK	36	20	19.87	19.85	19.85	
15	QPSK	36	39	19.87	19.94	19.85	
15	QPSK	75	0	19.95	19.88	19.95	
15	16QAM	1	0	20.05	20.13	20.02	20.80
15	16QAM	1	37	20.05	20.22	20.07	



15	16QAM	1	74	20.41	20.04	20.51	
15	16QAM	36	0	18.93	18.78	18.87	19.80
15	16QAM	36	20	18.86	18.81	18.81	
15	16QAM	36	39	18.89	18.86	18.90	
15	16QAM	75	0	18.89	18.82	18.85	
15	64QAM	1	0	20.07	20.08	19.88	
15	64QAM	1	37	19.79	19.71	19.74	20.80
15	64QAM	1	74	20.08	20.19	20.10	
15	64QAM	36	0	18.89	18.75	18.89	
15	64QAM	36	20	18.78	18.79	18.85	19.80
15	64QAM	36	39	19.00	18.86	18.99	
15	64QAM	75	0	18.91	18.82	18.92	
Channel				20000	20175	20350	Tune-up limit (dBm)
Frequency (MHz)				1715	1732.5	1750	
10	QPSK	1	0	20.73	20.76	20.83	21.80
10	QPSK	1	25	20.67	20.70	20.70	
10	QPSK	1	49	20.87	21.09	21.05	
10	QPSK	25	0	19.91	19.78	19.98	20.80
10	QPSK	25	12	19.80	19.78	19.78	
10	QPSK	25	25	19.80	19.87	19.78	
10	QPSK	50	0	19.88	19.81	19.88	
10	16QAM	1	0	19.98	20.06	19.95	
10	16QAM	1	25	19.98	20.15	20.00	20.80
10	16QAM	1	49	20.34	19.97	20.44	
10	16QAM	25	0	18.86	18.71	18.80	
10	16QAM	25	12	18.79	18.74	18.74	19.80
10	16QAM	25	25	18.82	18.79	18.83	
10	16QAM	50	0	18.82	18.75	18.78	
10	64QAM	1	0	20.00	20.01	19.81	
10	64QAM	1	25	19.72	19.64	19.67	20.80
10	64QAM	1	49	20.01	20.12	20.03	
10	64QAM	25	0	18.82	18.68	18.82	
10	64QAM	25	12	18.71	18.72	18.78	19.80
10	64QAM	25	25	18.93	18.79	18.92	
10	64QAM	50	0	18.84	18.75	18.85	
Channel				19975	20175	20375	
Frequency (MHz)				1712.5	1732.5	1752.5	



							(dBm)
5	QPSK	1	0	20.70	20.73	20.80	21.80
5	QPSK	1	12	20.64	20.67	20.67	
5	QPSK	1	24	20.84	21.06	21.02	
5	QPSK	12	0	19.88	19.75	19.95	20.80
5	QPSK	12	7	19.77	19.75	19.75	
5	QPSK	12	13	19.77	19.84	19.75	
5	QPSK	25	0	19.85	19.78	19.85	20.80
5	16QAM	1	0	19.95	20.03	19.92	
5	16QAM	1	12	19.95	20.12	19.97	
5	16QAM	1	24	20.31	19.94	20.41	19.80
5	16QAM	12	0	18.83	18.68	18.77	
5	16QAM	12	7	18.76	18.71	18.71	
5	16QAM	12	13	18.79	18.76	18.80	19.80
5	16QAM	25	0	18.79	18.72	18.75	
5	64QAM	1	0	19.97	19.98	19.78	
5	64QAM	1	12	19.69	19.61	19.64	20.80
5	64QAM	1	24	19.98	20.09	20.00	
5	64QAM	12	0	18.79	18.65	18.79	
5	64QAM	12	7	18.68	18.69	18.75	19.80
5	64QAM	12	13	18.90	18.76	18.89	
5	64QAM	25	0	18.81	18.72	18.82	
Channel				19965	20175	20385	Tune-up limit (dBm)
Frequency (MHz)				1711.5	1732.5	1753.5	
3	QPSK	1	0	20.67	20.70	20.77	21.80
3	QPSK	1	8	20.61	20.64	20.64	
3	QPSK	1	14	20.81	21.03	20.99	
3	QPSK	8	0	19.85	19.72	19.92	20.80
3	QPSK	8	4	19.74	19.72	19.72	
3	QPSK	8	7	19.74	19.81	19.72	
3	QPSK	15	0	19.82	19.75	19.82	20.80
3	16QAM	1	0	19.92	20.00	19.89	
3	16QAM	1	8	19.92	20.09	19.94	
3	16QAM	1	14	20.28	19.91	20.38	19.80
3	16QAM	8	0	18.80	18.65	18.74	
3	16QAM	8	4	18.73	18.68	18.68	
3	16QAM	8	7	18.76	18.73	18.77	



3	16QAM	15	0	18.76	18.69	18.72	
3	64QAM	1	0	18.74	18.02	17.73	20.80
3	64QAM	1	8	18.71	18.18	17.89	
3	64QAM	1	14	18.71	18.24	17.81	
3	64QAM	8	0	17.72	17.36	16.82	19.80
3	64QAM	8	4	17.72	17.15	16.83	
3	64QAM	8	7	17.58	16.99	16.77	
3	64QAM	15	0	17.74	17.16	16.83	
Channel				19957	20175	20393	Tune-up limit (dBm)
Frequency (MHz)				1710.7	1732.5	1754.3	
1.4	QPSK	1	0	20.66	20.69	20.76	21.80
1.4	QPSK	1	3	20.60	20.63	20.63	
1.4	QPSK	1	5	20.80	21.02	20.98	
1.4	QPSK	3	0	19.84	19.71	19.91	20.80
1.4	QPSK	3	1	19.73	19.71	19.71	
1.4	QPSK	3	3	19.73	19.80	19.71	
1.4	QPSK	6	0	19.81	19.74	19.81	
1.4	16QAM	1	0	19.91	19.99	19.88	20.80
1.4	16QAM	1	3	19.91	20.08	19.93	
1.4	16QAM	1	5	20.27	19.90	20.37	
1.4	16QAM	3	0	18.79	18.64	18.73	19.80
1.4	16QAM	3	1	18.72	18.67	18.67	
1.4	16QAM	3	3	18.75	18.72	18.76	
1.4	16QAM	6	0	18.75	18.68	18.71	
1.4	64QAM	1	0	18.67	18.18	17.82	20.80
1.4	64QAM	1	3	18.76	18.24	17.78	
1.4	64QAM	1	5	18.65	18.08	17.66	
1.4	64QAM	3	0	18.57	18.07	17.70	19.80
1.4	64QAM	3	1	18.76	17.95	17.57	
1.4	64QAM	3	3	18.65	18.10	17.91	
1.4	64QAM	6	0	17.57	17.15	16.61	

Note: When the sensor is active, the power of top antenna will be reduced about 2dB and used for head measurement.



<FDD-LTE Band 7>

BW [MHz]	Modulation	RB Size	RB Offset	Low Channel	Middle Channel	High Channel	Tune-up limit (dBm)
Channel				20850	21100	21350	
Frequency (MHz)				2510	2535	2560	
20	QPSK	1	0	16.60	16.78	16.75	17.30
20	QPSK	1	49	16.75	16.59	16.57	
20	QPSK	1	99	17.02	16.53	16.62	
20	QPSK	50	0	15.71	15.65	15.72	16.30
20	QPSK	50	24	15.86	15.84	15.72	
20	QPSK	50	50	15.80	15.66	15.65	
20	QPSK	100	0	15.78	15.76	15.71	
20	16QAM	1	0	15.84	15.79	15.67	16.30
20	16QAM	1	49	16.06	15.80	16.11	
20	16QAM	1	99	15.92	15.68	16.03	
20	16QAM	50	0	14.72	14.71	14.64	15.30
20	16QAM	50	24	14.73	14.74	14.73	
20	16QAM	50	50	14.77	14.52	14.67	
20	16QAM	100	0	14.77	14.83	14.70	
20	64QAM	1	0	15.82	15.90	16.06	16.30
20	64QAM	1	49	15.75	16.06	15.84	
20	64QAM	1	99	16.15	15.77	15.77	
20	64QAM	50	0	14.66	14.67	14.69	15.30
20	64QAM	50	24	14.76	14.76	14.73	
20	64QAM	50	50	14.77	14.68	14.63	
20	64QAM	100	0	14.73	14.68	14.73	
Channel				20825	21100	21375	Tune-up limit (dBm)
Frequency (MHz)				2507.5	2535	2562.5	
15	QPSK	1	0	16.63	16.58	16.65	17.30
15	QPSK	1	37	16.55	16.74	16.67	
15	QPSK	1	74	16.79	16.59	16.58	
15	QPSK	36	0	15.76	15.72	15.66	16.30
15	QPSK	36	20	15.78	15.76	15.72	
15	QPSK	36	39	15.76	15.48	15.67	
15	QPSK	75	0	15.73	15.69	15.75	
15	16QAM	1	0	15.67	15.80	15.83	16.30
15	16QAM	1	37	16.08	15.93	15.66	



15	16QAM	1	74	16.10	15.76	16.09	
15	16QAM	36	0	14.74	14.66	14.58	15.30
15	16QAM	36	20	14.78	14.69	14.71	
15	16QAM	36	39	14.75	14.72	14.61	
15	16QAM	75	0	14.72	14.75	14.72	
15	64QAM	1	0	15.75	15.72	15.77	
15	64QAM	1	37	15.50	15.72	15.79	16.30
15	64QAM	1	74	15.53	15.62	15.69	
15	64QAM	36	0	14.73	14.64	14.49	
15	64QAM	36	20	14.66	14.65	14.68	15.30
15	64QAM	36	39	14.77	14.67	14.61	
15	64QAM	75	0	14.72	14.73	14.73	
Channel				20800	21100	21400	Tune-up limit (dBm)
Frequency (MHz)				2505	2535	2565	
10	QPSK	1	0	16.82	16.89	16.90	17.30
10	QPSK	1	25	16.93	16.87	16.79	
10	QPSK	1	49	16.80	16.92	16.90	
10	QPSK	25	0	15.99	15.93	15.88	16.30
10	QPSK	25	12	15.91	15.90	15.83	
10	QPSK	25	25	15.82	15.97	15.81	
10	QPSK	50	0	15.98	15.95	15.90	
10	16QAM	1	0	16.22	16.26	16.26	
10	16QAM	1	25	16.24	16.12	16.21	16.30
10	16QAM	1	49	16.18	16.18	16.27	
10	16QAM	25	0	14.96	14.95	14.98	
10	16QAM	25	12	14.89	14.82	14.81	15.30
10	16QAM	25	25	14.86	15.00	14.76	
10	16QAM	50	0	14.97	14.83	14.90	
10	64QAM	1	0	15.99	16.16	16.11	
10	64QAM	1	25	16.05	16.13	15.93	16.30
10	64QAM	1	49	16.07	15.90	15.96	
10	64QAM	25	0	14.88	14.84	14.88	
10	64QAM	25	12	14.95	14.96	14.93	15.30
10	64QAM	25	25	14.88	14.94	14.78	
10	64QAM	50	0	14.93	15.00	14.84	
Channel				20775	21100	21425	
Frequency (MHz)				2502.5	2535	2567.5	



							(dBm)
5	QPSK	1	0	16.73	16.50	16.76	17.30
5	QPSK	1	12	16.70	16.54	16.61	
5	QPSK	1	24	16.56	16.69	16.54	
5	QPSK	12	0	15.63	15.61	15.59	16.30
5	QPSK	12	7	15.60	15.64	15.61	
5	QPSK	12	13	15.59	15.67	15.60	
5	QPSK	25	0	15.63	15.60	15.56	
5	16QAM	1	0	15.93	15.83	16.21	16.30
5	16QAM	1	12	15.82	16.12	16.06	
5	16QAM	1	24	16.02	15.90	16.27	
5	16QAM	12	0	14.63	14.64	14.69	15.30
5	16QAM	12	7	14.62	14.55	14.51	
5	16QAM	12	13	14.61	14.60	14.61	
5	16QAM	25	0	14.72	14.66	14.62	
5	64QAM	1	0	15.55	15.87	15.59	16.30
5	64QAM	1	12	15.59	15.79	15.58	
5	64QAM	1	24	15.87	15.86	15.53	
5	64QAM	12	0	14.60	14.65	14.55	15.30
5	64QAM	12	7	14.60	14.77	14.55	
5	64QAM	12	13	14.56	14.59	14.63	
5	64QAM	25	0	14.56	14.63	14.61	

Note: When the sensor is active, the power of top antenna will be reduced about 6dB and used for head measurement.



<FDD-LTE Band 7>

BW [MHz]	Modulation	RB Size	RB Offset	Low Channel	Middle Channel	High Channel	Tune-up limit (dBm)
Channel				20850	21100	21350	
Frequency (MHz)				2510	2535	2560	
20	QPSK	1	0	19.44	19.62	19.59	20.30
20	QPSK	1	49	19.59	19.43	19.41	
20	QPSK	1	99	19.86	19.37	19.46	
20	QPSK	50	0	18.55	18.49	18.56	19.30
20	QPSK	50	24	18.70	18.68	18.56	
20	QPSK	50	50	18.64	18.50	18.49	
20	QPSK	100	0	18.62	18.60	18.55	
20	16QAM	1	0	18.68	18.63	18.51	19.30
20	16QAM	1	49	18.90	18.64	18.95	
20	16QAM	1	99	18.76	18.52	18.87	
20	16QAM	50	0	17.56	17.55	17.48	18.30
20	16QAM	50	24	17.57	17.58	17.57	
20	16QAM	50	50	17.61	17.36	17.51	
20	16QAM	100	0	17.61	17.67	17.54	
20	64QAM	1	0	18.66	18.74	18.90	19.30
20	64QAM	1	49	18.59	18.90	18.68	
20	64QAM	1	99	18.99	18.61	18.61	
20	64QAM	50	0	17.50	17.51	17.53	18.30
20	64QAM	50	24	17.60	17.60	17.57	
20	64QAM	50	50	17.61	17.52	17.47	
20	64QAM	100	0	17.57	17.52	17.57	
Channel				20825	21100	21375	
Frequency (MHz)				2507.5	2535	2562.5	
15	QPSK	1	0	19.60	19.67	19.67	20.30
15	QPSK	1	37	19.76	19.69	19.69	
15	QPSK	1	74	19.61	19.60	19.60	
15	QPSK	36	0	18.74	18.68	18.68	19.30
15	QPSK	36	20	18.78	18.74	18.74	
15	QPSK	36	39	18.50	18.69	18.69	
15	QPSK	75	0	18.71	18.77	18.77	
15	16QAM	1	0	18.82	18.85	18.85	19.30
15	16QAM	1	37	18.95	18.68	18.68	



15	16QAM	1	74	18.78	19.11	19.11	
15	16QAM	36	0	17.68	17.60	17.60	18.30
15	16QAM	36	20	17.71	17.73	17.73	
15	16QAM	36	39	17.74	17.63	17.63	
15	16QAM	75	0	17.77	17.74	17.74	
15	64QAM	1	0	18.74	18.79	18.79	
15	64QAM	1	37	18.74	18.81	18.81	19.30
15	64QAM	1	74	18.64	18.71	18.71	
15	64QAM	36	0	17.66	17.51	17.51	
15	64QAM	36	20	17.67	17.70	17.70	18.30
15	64QAM	36	39	17.69	17.63	17.63	
15	64QAM	75	0	17.75	17.75	17.75	
Channel				20800	21100	21400	Tune-up limit (dBm)
Frequency (MHz)				2505	2535	2565	
10	QPSK	1	0	19.91	19.92	19.92	20.30
10	QPSK	1	25	19.89	19.81	19.81	
10	QPSK	1	49	19.94	19.92	19.92	
10	QPSK	25	0	18.95	18.90	18.90	19.30
10	QPSK	25	12	18.92	18.85	18.85	
10	QPSK	25	25	18.99	18.83	18.83	
10	QPSK	50	0	18.97	18.92	18.92	
10	16QAM	1	0	19.18	19.28	19.28	19.30
10	16QAM	1	25	19.14	19.28	19.28	
10	16QAM	1	49	19.20	19.29	19.19	
10	16QAM	25	0	17.97	18.00	18.00	18.30
10	16QAM	25	12	17.84	17.83	17.83	
10	16QAM	25	25	18.02	17.78	17.78	
10	16QAM	50	0	17.85	17.92	17.92	
10	64QAM	1	0	19.12	19.03	19.13	19.30
10	64QAM	1	25	19.15	18.95	18.95	
10	64QAM	1	49	18.92	18.98	18.98	
10	64QAM	25	0	17.86	17.90	17.90	18.30
10	64QAM	25	12	17.98	17.95	17.95	
10	64QAM	25	25	17.96	17.80	17.80	
10	64QAM	50	0	18.02	17.86	17.86	
Channel				20775	21100	21425	Tune-up limit
Frequency (MHz)				2502.5	2535	2567.5	



							(dBm)
5	QPSK	1	0	19.52	19.78	19.78	20.30
5	QPSK	1	12	19.56	19.63	19.63	
5	QPSK	1	24	19.71	19.56	19.56	
5	QPSK	12	0	18.63	18.61	18.61	19.30
5	QPSK	12	7	18.66	18.63	18.63	
5	QPSK	12	13	18.69	18.62	18.62	
5	QPSK	25	0	18.62	18.58	18.58	
5	16QAM	1	0	18.85	19.23	19.13	19.30
5	16QAM	1	12	19.14	19.08	19.08	
5	16QAM	1	24	18.92	19.21	19.24	
5	16QAM	12	0	17.66	17.71	17.71	18.30
5	16QAM	12	7	17.57	17.53	17.53	
5	16QAM	12	13	17.62	17.63	17.63	
5	16QAM	25	0	17.68	17.64	17.64	
5	64QAM	1	0	18.89	18.61	18.61	19.30
5	64QAM	1	12	18.81	18.60	18.60	
5	64QAM	1	24	18.88	18.55	18.55	
5	64QAM	12	0	17.67	17.57	17.57	18.30
5	64QAM	12	7	17.79	17.57	17.57	
5	64QAM	12	13	17.61	17.65	17.65	
5	64QAM	25	0	17.65	17.63	17.63	

Note: When the sensor is active, the power of top antenna will be reduced about 3dB and used for body measurement.



<TDD-LTE Band 38>

BW [MHz]	Modulation	RB Size	RB Offset	Low Channel	Middle Channel	High Channel	Tune-up limit (dBm)
Channel				37850	38000	38150	
Frequency (MHz)				2580	2595	2610	
20	QPSK	1	0	20.24	20.73	20.27	21.80
20	QPSK	1	49	20.43	20.27	20.24	
20	QPSK	1	99	20.48	20.42	20.51	
20	QPSK	50	0	19.51	19.44	19.54	20.80
20	QPSK	50	24	19.38	19.52	19.27	
20	QPSK	50	50	19.53	19.57	19.40	
20	QPSK	100	0	19.47	19.49	19.42	
20	16QAM	1	0	19.68	19.80	19.59	20.80
20	16QAM	1	49	19.62	19.72	19.61	
20	16QAM	1	99	20.06	19.66	19.74	
20	16QAM	50	0	18.58	18.50	18.52	19.80
20	16QAM	50	24	18.58	18.49	18.43	
20	16QAM	50	50	18.65	18.54	18.58	
20	16QAM	100	0	18.58	18.57	18.50	
20	64QAM	1	0	19.42	19.67	19.58	20.80
20	64QAM	1	49	19.79	19.71	19.79	
20	64QAM	1	99	19.66	19.60	19.51	
20	64QAM	50	0	18.40	18.40	18.35	19.80
20	64QAM	50	24	18.29	18.51	18.27	
20	64QAM	50	50	18.47	18.59	18.32	
20	64QAM	100	0	18.60	18.39	18.61	
Channel				37825	38000	38175	Tune-up limit (dBm)
Frequency (MHz)				2577.5	2595	2612.5	
15	QPSK	1	0	20.42	20.49	20.66	21.80
15	QPSK	1	37	20.50	20.37	20.36	
15	QPSK	1	74	20.65	20.67	20.39	
15	QPSK	36	0	19.37	19.52	19.40	20.80
15	QPSK	36	20	19.61	19.29	19.29	
15	QPSK	36	39	19.67	19.54	19.45	
15	QPSK	75	0	19.42	19.34	19.38	
15	16QAM	1	0	20.02	19.89	19.74	20.80



15	16QAM	1	37	19.72	19.59	19.78	
15	16QAM	1	74	19.86	19.73	20.00	
15	16QAM	36	0	18.40	18.45	18.43	19.80
15	16QAM	36	20	18.48	18.33	18.32	
15	16QAM	36	39	18.51	18.48	18.48	
15	16QAM	75	0	18.43	18.51	18.36	
15	64QAM	1	0	19.47	19.78	19.84	
15	64QAM	1	37	19.90	19.94	19.48	
15	64QAM	1	74	19.62	19.60	19.65	
15	64QAM	36	0	18.43	18.46	18.46	19.80
15	64QAM	36	20	18.50	18.25	18.34	
15	64QAM	36	39	18.66	18.40	18.51	
15	64QAM	75	0	18.41	18.48	18.35	
Channel				37800	38000	38200	
Frequency (MHz)				2575	2595	2615	
10	QPSK	1	0	20.47	20.33	20.48	21.80
10	QPSK	1	25	20.51	20.59	20.55	
10	QPSK	1	49	20.63	20.64	20.58	
10	QPSK	25	0	19.68	19.64	19.59	20.80
10	QPSK	25	12	19.73	19.72	19.61	
10	QPSK	25	25	19.67	19.70	19.69	
10	QPSK	50	0	19.67	19.59	19.59	
10	16QAM	1	0	20.14	20.09	20.12	
10	16QAM	1	25	20.07	19.78	19.78	
10	16QAM	1	49	20.25	19.79	20.19	
10	16QAM	25	0	18.69	18.80	18.78	19.80
10	16QAM	25	12	18.74	18.73	18.51	
10	16QAM	25	25	18.83	18.80	18.78	
10	16QAM	50	0	18.80	18.49	18.68	
10	64QAM	1	0	19.46	19.77	19.83	
10	64QAM	1	25	19.89	19.93	19.47	
10	64QAM	1	49	19.61	19.59	19.64	
10	64QAM	25	0	18.42	18.45	18.45	19.80
10	64QAM	25	12	18.49	18.24	18.33	
10	64QAM	25	25	18.65	18.39	18.50	
10	64QAM	50	0	18.40	18.47	18.34	
Channel				37775	38000	38225	



Frequency (MHz)				2572.5	2595	2617.5	limit (dBm)
5	QPSK	1	0	20.19	20.51	20.17	21.80
5	QPSK	1	12	20.31	20.44	20.16	
5	QPSK	1	24	20.12	20.14	20.07	
5	QPSK	12	0	19.36	19.62	19.34	20.80
5	QPSK	12	7	19.37	19.64	19.38	
5	QPSK	12	13	19.31	19.53	19.29	
5	QPSK	25	0	19.29	19.57	19.35	
5	16QAM	1	0	19.38	19.69	19.38	20.80
5	16QAM	1	12	19.53	19.73	19.46	
5	16QAM	1	24	19.36	19.45	19.40	
5	16QAM	12	0	18.35	18.77	18.42	19.80
5	16QAM	12	7	18.38	18.70	18.45	
5	16QAM	12	13	18.32	18.60	18.36	
5	16QAM	25	0	18.32	18.67	18.44	
5	64QAM	1	0	19.31	19.68	19.27	20.80
5	64QAM	1	12	19.40	19.59	19.34	
5	64QAM	1	24	19.24	19.33	19.28	
5	64QAM	12	0	18.29	18.71	18.36	19.80
5	64QAM	12	7	18.32	18.64	18.39	
5	64QAM	12	13	18.25	18.54	18.30	
5	64QAM	25	0	18.25	18.59	18.37	

Note: When the sensor is active, the power of top antenna will be reduced about 2dB and be used for head measurement.



<TDD-LTE Band 38>

BW [MHz]	Modulation	RB Size	RB Offset	Low Channel	Middle Channel	High Channel	Tune-up limit (dBm)
Channel				37850	38000	38150	
Frequency (MHz)				2580	2595	2610	
20	QPSK	1	0	21.17	21.66	21.20	22.80
20	QPSK	1	49	21.36	21.20	21.17	
20	QPSK	1	99	21.41	21.35	21.44	
20	QPSK	50	0	20.44	20.37	20.47	21.80
20	QPSK	50	24	20.31	20.45	20.20	
20	QPSK	50	50	20.46	20.50	20.33	
20	QPSK	100	0	20.40	20.42	20.35	
20	16QAM	1	0	20.61	20.73	20.52	21.80
20	16QAM	1	49	20.55	20.65	20.54	
20	16QAM	1	99	20.99	20.59	20.67	
20	16QAM	50	0	19.51	19.43	19.45	20.80
20	16QAM	50	24	19.51	19.42	19.36	
20	16QAM	50	50	19.58	19.47	19.51	
20	16QAM	100	0	19.51	19.50	19.43	
20	64QAM	1	0	20.35	20.60	20.51	21.80
20	64QAM	1	49	20.72	20.64	20.72	
20	64QAM	1	99	20.59	20.53	20.44	
20	64QAM	50	0	19.33	19.33	19.28	20.80
20	64QAM	50	24	19.22	19.44	19.20	
20	64QAM	50	50	19.40	19.52	19.25	
20	64QAM	100	0	19.53	19.32	19.54	
Channel				37825	38000	38175	Tune-up limit (dBm)
Frequency (MHz)				2577.5	2595	2612.5	
15	QPSK	1	0	21.42	21.59	21.59	22.80
15	QPSK	1	37	21.30	21.29	21.29	
15	QPSK	1	74	21.60	21.32	21.32	
15	QPSK	36	0	20.45	20.33	20.33	21.80
15	QPSK	36	20	20.22	20.22	20.22	
15	QPSK	36	39	20.47	20.38	20.38	
15	QPSK	75	0	20.27	20.31	20.31	
15	16QAM	1	0	20.82	20.67	20.67	21.80



15	16QAM	1	37	20.52	20.71	20.71	
15	16QAM	1	74	20.66	20.93	20.93	
15	16QAM	36	0	19.38	19.36	19.36	20.80
15	16QAM	36	20	19.26	19.25	19.25	
15	16QAM	36	39	19.41	19.41	19.41	
15	16QAM	75	0	19.44	19.29	19.29	
15	64QAM	1	0	20.71	20.77	20.77	
15	64QAM	1	37	20.87	20.41	20.41	
15	64QAM	1	74	20.53	20.58	20.58	
15	64QAM	36	0	19.39	19.39	19.39	20.80
15	64QAM	36	20	19.18	19.27	19.27	
15	64QAM	36	39	19.33	19.44	19.44	
15	64QAM	75	0	19.41	19.28	19.28	
Channel				37800	38000	38200	
Frequency (MHz)				2575	2595	2615	
10	QPSK	1	0	21.26	21.41	21.41	22.80
10	QPSK	1	25	21.52	21.48	21.48	
10	QPSK	1	49	21.57	21.51	21.51	
10	QPSK	25	0	20.57	20.52	20.52	21.80
10	QPSK	25	12	20.65	20.54	20.54	
10	QPSK	25	25	20.63	20.62	20.62	
10	QPSK	50	0	20.52	20.52	20.52	
10	16QAM	1	0	21.02	21.05	21.05	
10	16QAM	1	25	20.71	20.71	20.71	
10	16QAM	1	49	20.72	21.12	21.12	
10	16QAM	25	0	19.73	19.71	19.71	20.80
10	16QAM	25	12	19.66	19.44	19.44	
10	16QAM	25	25	19.73	19.71	19.71	
10	16QAM	50	0	19.42	19.61	19.61	
10	64QAM	1	0	20.49	20.08	20.08	
10	64QAM	1	25	20.40	20.15	20.15	
10	64QAM	1	49	20.14	20.09	20.09	
10	64QAM	25	0	19.52	19.17	19.17	20.80
10	64QAM	25	12	19.45	19.20	19.20	
10	64QAM	25	25	19.35	19.11	19.11	
10	64QAM	50	0	19.40	19.18	19.18	
Channel				37775	38000	38225	



Frequency (MHz)				2572.5	2595	2617.5	limit (dBm)
5	QPSK	1	0	21.44	21.10	21.10	22.80
5	QPSK	1	12	21.37	21.09	21.09	
5	QPSK	1	24	21.07	21.00	21.00	
5	QPSK	12	0	20.55	20.27	20.27	21.80
5	QPSK	12	7	20.57	20.31	20.31	
5	QPSK	12	13	20.46	20.22	20.22	
5	QPSK	25	0	20.50	20.28	20.28	
5	16QAM	1	0	20.62	20.31	20.31	21.80
5	16QAM	1	12	20.66	20.39	20.39	
5	16QAM	1	24	20.38	20.33	20.33	
5	16QAM	12	0	19.70	19.35	19.35	20.80
5	16QAM	12	7	19.63	19.38	19.38	
5	16QAM	12	13	19.53	19.29	19.29	
5	16QAM	25	0	19.60	19.37	19.37	
5	64QAM	1	0	20.61	20.20	20.20	21.80
5	64QAM	1	12	20.52	20.27	20.27	
5	64QAM	1	24	20.26	20.21	20.21	
5	64QAM	12	0	19.64	19.29	19.29	20.80
5	64QAM	12	7	19.57	19.32	19.32	
5	64QAM	12	13	19.47	19.23	19.23	
5	64QAM	25	0	19.52	19.30	19.30	

Note: When the sensor is active, the power of top antenna will be reduced about 1dB and used for body measurement.



<TDD-LTE Band 40A>

BW [MHz]	Modulation	RB Size	RB Offset	Low Channel	Middle Channel	High Channel	Tune-up limit (dBm)
Channel				15650			
Frequency (MHz)							
10	QPSK	1	0	18.18			18.80
10	QPSK	1	25	18.21			
10	QPSK	1	49	18.29			
10	QPSK	25	0	17.23			17.80
10	QPSK	25	12	17.18			
10	QPSK	25	25	17.12			
10	QPSK	50	0	17.34			
10	16QAM	1	0	17.60			
10	16QAM	1	25	17.71			17.80
10	16QAM	1	49	17.74			
10	16QAM	25	0	16.31			
10	16QAM	25	12	16.38			16.80
10	16QAM	25	25	16.22			
10	16QAM	50	0	16.26			
10	64QAM	1	0	17.02			
10	64QAM	1	25	17.31			
10	64QAM	1	49	17.49			17.80
10	64QAM	25	0	16.23			
10	64QAM	25	12	16.30			
10	64QAM	25	25	16.15			16.80
10	64QAM	50	0	16.19			
Channel				38725	38750	38775	
Frequency (MHz)				2307.5	2310	2312.5	
5	QPSK	1	0	18.05	18.26	17.99	18.80
5	QPSK	1	12	18.16	18.14	18.13	
5	QPSK	1	24	18.10	18.12	18.09	
5	QPSK	12	0	17.23	17.29	17.30	17.80
5	QPSK	12	7	17.18	17.30	17.20	
5	QPSK	12	13	17.12	17.27	17.06	
5	QPSK	25	0	17.20	17.13	17.13	
5	16QAM	1	0	17.49	17.39	17.48	17.80



5	16QAM	1	12	17.56	17.61	17.17	
5	16QAM	1	24	17.34	17.59	17.39	
5	16QAM	12	0	16.22	16.34	16.24	
5	16QAM	12	7	16.18	16.23	16.14	16.80
5	16QAM	12	13	16.24	16.21	16.11	
5	16QAM	25	0	16.23	16.19	16.20	
5	64QAM	1	0	17.08	17.49	17.38	17.80
5	64QAM	1	12	17.26	17.29	17.30	
5	64QAM	1	24	17.40	17.29	17.28	
5	64QAM	12	0	16.24	16.18	16.18	16.80
5	64QAM	12	7	16.22	16.18	16.10	
5	64QAM	12	13	16.16	16.13	16.05	
5	64QAM	25	0	16.16	16.22	16.13	

Note: When the sensor is active, the power of top antenna will be reduced about 5dB and be used for head measurement.

<TDD-LTE Band 40A>

BW [MHz]	Modulation	RB Size	RB Offset	Low Channel	Middle Channel	High Channel	Tune-up limit (dBm)
Channel				15650			
Frequency (MHz)							
10	QPSK	1	0	21.05			21.80
10	QPSK	1	25	21.08			
10	QPSK	1	49	21.16			
10	QPSK	25	0	20.10			20.80
10	QPSK	25	12	20.05			
10	QPSK	25	25	19.99			
10	QPSK	50	0	20.21			
10	16QAM	1	0	20.47			22.80
10	16QAM	1	25	20.58			
10	16QAM	1	49	20.61			
10	16QAM	25	0	19.18			19.80
10	16QAM	25	12	19.25			
10	16QAM	25	25	19.09			
10	16QAM	50	0	19.13			
10	64QAM	1	0	19.89			20.80
10	64QAM	1	25	20.18			
10	64QAM	1	49	20.36			



10	64QAM	25	0	19.10			19.80
10	64QAM	25	12	19.17			
10	64QAM	25	25	19.02			
10	64QAM	50	0	19.06			
Channel				38725	38750	38775	Tune-up limit (dBm)
Frequency (MHz)				2307.5	2310	2312.5	
5	QPSK	1	0	20.92	21.13	20.86	21.80
5	QPSK	1	12	21.03	21.01	21.00	
5	QPSK	1	24	20.97	20.99	20.96	
5	QPSK	12	0	20.10	20.16	20.17	20.80
5	QPSK	12	7	20.05	20.17	20.07	
5	QPSK	12	13	19.99	20.14	19.93	
5	QPSK	25	0	20.07	20.00	20.00	
5	16QAM	1	0	20.36	20.26	20.35	20.80
5	16QAM	1	12	20.43	20.48	20.04	
5	16QAM	1	24	20.21	20.46	20.26	
5	16QAM	12	0	19.09	19.21	19.11	19.80
5	16QAM	12	7	19.05	19.10	19.01	
5	16QAM	12	13	19.11	19.08	18.98	
5	16QAM	25	0	19.10	19.06	19.07	
5	64QAM	1	0	19.95	20.36	20.25	20.80
5	64QAM	1	12	20.13	20.16	20.17	
5	64QAM	1	24	20.27	20.16	20.15	
5	64QAM	12	0	19.11	19.05	19.05	19.80
5	64QAM	12	7	19.09	19.05	18.97	
5	64QAM	12	13	19.03	19.00	18.92	
5	64QAM	25	0	19.03	19.09	19.00	

Note: When the sensor is active, the power of top antenna will be reduced about 2dB and be used for body measurement.



<TDD-LTE Band 40B>

BW [MHz]	Modulation	RB Size	RB Offset	Low Channel	Middle Channel	High Channel	Tune-up limit (dBm)
Channel				39200			
Frequency (MHz)				2355			
10	QPSK	1	0	18.14			18.80
10	QPSK	1	25	18.33			
10	QPSK	1	49	18.45			
10	QPSK	25	0	17.35			17.80
10	QPSK	25	12	17.33			
10	QPSK	25	25	17.44			
10	QPSK	50	0	17.29			
10	16QAM	1	0	17.92			17.80
10	16QAM	1	25	17.63			
10	16QAM	1	49	17.95			
10	16QAM	25	0	16.34			16.80
10	16QAM	25	12	16.32			
10	16QAM	25	25	16.47			
10	16QAM	50	0	16.29			
10	64QAM	1	0	17.11			17.80
10	64QAM	1	25	17.39			
10	64QAM	1	49	17.61			
10	64QAM	25	0	16.37			16.80
10	64QAM	25	12	16.33			
10	64QAM	25	25	16.39			
10	64QAM	50	0	16.41			
Channel				39175	39200	39225	Tune-up limit (dBm)
Frequency (MHz)				2352.5	2355	2357.5	
5	QPSK	1	0	18.14	18.04	18.26	18.80
5	QPSK	1	12	18.13	18.16	18.24	
5	QPSK	1	24	18.15	18.15	18.22	
5	QPSK	12	0	17.23	17.30	17.35	17.80
5	QPSK	12	7	17.20	17.23	17.33	
5	QPSK	12	13	17.15	17.26	17.26	
5	QPSK	25	0	17.26	17.17	17.26	
5	16QAM	1	0	17.78	17.58	17.66	17.80



5	16QAM	1	12	17.75	17.44	17.53	
5	16QAM	1	24	17.29	17.34	17.70	
5	16QAM	12	0	16.31	16.33	16.50	16.80
5	16QAM	12	7	16.24	16.38	16.26	
5	16QAM	12	13	16.25	16.30	16.31	
5	16QAM	25	0	16.39	16.22	16.32	
5	64QAM	1	0	17.09	17.38	17.55	
5	64QAM	1	12	17.20	17.49	17.29	17.80
5	64QAM	1	24	17.36	17.39	17.40	
5	64QAM	12	0	16.33	16.26	16.24	16.80
5	64QAM	12	7	16.18	16.32	16.21	
5	64QAM	12	13	16.17	16.32	16.25	
5	64QAM	25	0	16.20	16.26	16.26	

Note: When the sensor is active, the power of top antenna will be reduced about 5dB and be used for head measurement.

<TDD-LTE Band 40B>

BW [MHz]	Modulation	RB Size	RB Offset	Low Channel	Middle Channel	High Channel	Tune-up limit (dBm)
Channel				39200			
Frequency (MHz)				2355			
10	QPSK	1	0	21.00			21.80
10	QPSK	1	25	21.19			
10	QPSK	1	49	21.31			
10	QPSK	25	0	20.21			20.80
10	QPSK	25	12	20.19			
10	QPSK	25	25	20.30			
10	QPSK	50	0	20.15			
10	16QAM	1	0	20.78			20.80
10	16QAM	1	25	20.49			
10	16QAM	1	49	20.71			
10	16QAM	25	0	19.20			19.80
10	16QAM	25	12	19.18			
10	16QAM	25	25	19.33			
10	16QAM	50	0	19.15			
10	64QAM	1	0	19.97			
10	64QAM	1	25	20.25			20.80



10	64QAM	1	49	20.47			19.80
10	64QAM	25	0	19.23			
10	64QAM	25	12	19.19			
10	64QAM	25	25	19.25			
10	64QAM	50	0	19.27			
Channel				39175	39200	39225	Tune-up limit (dBm)
Frequency (MHz)				2352.5	2355	2357.5	
5	QPSK	1	0	21.06	20.96	21.18	21.80
5	QPSK	1	12	21.05	21.08	21.16	
5	QPSK	1	24	21.07	21.07	21.14	
5	QPSK	12	0	20.15	20.22	20.27	20.80
5	QPSK	12	7	20.12	20.15	20.25	
5	QPSK	12	13	20.07	20.18	20.18	
5	QPSK	25	0	20.18	20.09	20.18	
5	16QAM	1	0	20.70	20.50	20.58	20.80
5	16QAM	1	12	20.67	20.36	20.45	
5	16QAM	1	24	20.21	20.26	20.62	
5	16QAM	12	0	19.23	19.25	19.42	19.80
5	16QAM	12	7	19.16	19.30	19.18	
5	16QAM	12	13	19.17	19.22	19.23	
5	16QAM	25	0	19.31	19.14	19.24	
5	64QAM	1	0	20.01	20.30	20.47	20.80
5	64QAM	1	12	20.12	20.41	20.21	
5	64QAM	1	24	20.28	20.31	20.32	
5	64QAM	12	0	19.25	19.18	19.16	19.80
5	64QAM	12	7	19.10	19.24	19.13	
5	64QAM	12	13	19.09	19.24	19.17	
5	64QAM	25	0	19.12	19.18	19.18	

Note: When the sensor is active, the power of top antenna will be reduced about 2dB and be used for body measurement.



<TDD-LTE Band 41>

BW [MHz]	Modulation	RB Size	RB Offset	Low Channel	Middle Low Channel	Middle High Channel	High Channel	Tune-up limit (dBm)
Channel				40140	40400	40670	41140	
Frequency (MHz)				2545	2571	2598	2645	
20	QPSK	1	0	19.92	19.70	19.69	19.66	20.80
20	QPSK	1	49	19.91	19.69	19.64	19.57	
20	QPSK	1	99	19.96	19.49	19.80	19.53	
20	QPSK	50	0	18.85	19.02	18.95	18.73	19.80
20	QPSK	50	24	19.03	19.02	18.96	18.70	
20	QPSK	50	50	18.92	18.91	18.92	18.65	
20	QPSK	100	0	18.85	19.01	18.87	18.92	
20	16QAM	1	0	19.47	19.29	19.15	19.01	19.80
20	16QAM	1	49	19.13	19.17	19.25	19.00	
20	16QAM	1	99	19.36	19.00	19.02	18.98	
20	16QAM	50	0	17.93	17.97	17.93	17.87	18.80
20	16QAM	50	24	18.01	17.96	17.88	17.77	
20	16QAM	50	50	17.83	17.96	18.01	17.73	
20	16QAM	100	0	18.06	18.05	18.04	17.97	
20	64QAM	1	0	18.85	18.93	19.13	18.90	19.80
20	64QAM	1	49	19.26	19.11	19.21	18.76	
20	64QAM	1	99	19.22	18.77	18.97	18.83	
20	64QAM	50	0	17.95	17.97	17.93	17.80	18.80
20	64QAM	50	24	18.03	17.98	17.98	17.70	
20	64QAM	50	50	17.96	17.79	17.73	17.66	
20	64QAM	100	0	18.09	17.99	17.98	17.66	
Channel				40115	40395	40685	41165	Tune-up limit (dBm)
Frequency (MHz)				2542.5	2570.5	2599.5	2647.5	
15	QPSK	1	0	19.81	19.70	19.69	19.51	20.80
15	QPSK	1	37	19.79	19.83	19.82	19.49	
15	QPSK	1	74	19.35	19.47	19.43	19.49	
15	QPSK	36	0	18.90	18.96	19.01	18.75	19.80
15	QPSK	36	20	18.95	18.79	18.72	18.52	
15	QPSK	36	39	18.51	18.56	18.61	18.56	
15	QPSK	75	0	18.79	18.81	18.60	18.42	
15	16QAM	1	0	18.97	18.68	18.67	18.52	19.80



15	16QAM	1	37	18.96	18.78	18.58	18.49	
15	16QAM	1	74	18.83	18.55	18.57	18.86	
15	16QAM	36	0	17.87	17.96	17.94	17.76	18.80
15	16QAM	36	20	17.92	17.80	17.76	17.60	
15	16QAM	36	39	17.49	17.57	17.55	17.47	
15	16QAM	75	0	17.81	17.84	17.59	17.56	
15	64QAM	1	0	18.77	18.74	18.82	18.58	19.80
15	64QAM	1	37	18.85	19.02	18.81	18.56	
15	64QAM	1	74	18.61	18.76	18.83	18.72	
15	64QAM	36	0	17.95	17.96	17.94	17.80	18.80
15	64QAM	36	20	17.83	17.79	17.76	17.62	
15	64QAM	36	39	17.61	17.58	17.56	17.49	
15	64QAM	75	0	17.69	17.74	17.65	17.56	
Channel				40090	40390	40690	41190	Tune-up limit (dBm)
Frequency (MHz)				2540	2570	2600	2650	
10	QPSK	1	0	19.85	19.82	19.78	19.78	20.80
10	QPSK	1	25	19.80	19.75	19.84	19.78	
10	QPSK	1	49	19.73	19.82	19.90	19.69	
10	QPSK	25	0	19.14	19.09	18.98	18.66	19.80
10	QPSK	25	12	19.07	19.04	18.99	18.86	
10	QPSK	25	25	18.96	19.04	18.86	18.77	
10	QPSK	50	0	19.09	19.02	18.92	18.84	
10	16QAM	1	0	19.39	19.48	19.42	19.31	19.80
10	16QAM	1	25	19.35	19.25	19.03	19.02	
10	16QAM	1	49	19.42	19.20	19.22	19.07	
10	16QAM	25	0	18.05	18.14	17.98	18.07	18.80
10	16QAM	25	12	18.02	18.00	17.99	17.95	
10	16QAM	25	25	18.11	18.10	18.07	17.97	
10	16QAM	50	0	17.93	18.17	17.92	17.93	
10	64QAM	1	0	18.86	19.43	19.49	19.21	19.80
10	64QAM	1	25	19.05	19.02	18.89	18.99	
10	64QAM	1	49	19.35	19.06	19.16	18.48	
10	64QAM	25	0	18.10	18.17	17.98	17.99	18.80
10	64QAM	25	12	18.01	18.02	17.92	17.79	
10	64QAM	25	25	17.91	17.92	18.12	17.89	
10	64QAM	50	0	17.85	18.09	17.94	17.85	
Channel				40065	40385	40705	41215	Tune-up



Frequency (MHz)				2537.5	2569.5	2601.5	2652.5	limit (dBm)
5	QPSK	1	0	19.64	19.60	19.88	19.71	20.80
5	QPSK	1	12	19.86	19.91	19.88	19.87	
5	QPSK	1	24	19.78	19.86	19.83	19.92	
5	QPSK	12	0	19.42	19.12	19.29	19.17	19.80
5	QPSK	12	7	19.39	19.19	19.25	19.22	
5	QPSK	12	13	19.37	19.22	19.11	19.07	
5	QPSK	25	0	19.13	18.94	18.90	18.93	
5	16QAM	1	0	19.54	19.26	19.30	19.16	19.80
5	16QAM	1	12	19.48	19.24	19.29	19.27	
5	16QAM	1	24	19.36	19.18	19.20	19.07	
5	16QAM	12	0	18.47	18.08	17.99	18.09	18.80
5	16QAM	12	7	18.41	18.05	18.16	18.14	
5	16QAM	12	13	18.07	17.98	17.99	17.97	
5	16QAM	25	0	18.05	18.01	18.00	17.98	
5	64QAM	1	0	19.12	19.15	19.21	19.17	19.80
5	64QAM	1	12	19.20	19.41	19.06	19.17	
5	64QAM	1	24	19.10	19.06	19.17	19.18	
5	64QAM	12	0	17.97	18.02	17.92	17.98	18.80
5	64QAM	12	7	18.04	18.00	17.90	17.97	
5	64QAM	12	13	18.03	17.91	17.93	18.02	
5	64QAM	25	0	18.11	18.01	17.94	18.05	

Note: When the sensor is active, the power of top antenna will be reduced about 3dB and be used for head measurement.



<TDD-LTE Band 41>

BW [MHz]	Modulation	RB Size	RB Offset	Low Channel	Middle Low Channel	Middle High Channel	High Channel	Tune-up limit (dBm)
Channel				40140	40400	40670	41140	
Frequency (MHz)				2545	2571	2598	2645	
20	QPSK	1	0	21.57	21.35	21.34	21.31	22.80
20	QPSK	1	49	21.56	21.34	21.29	21.22	
20	QPSK	1	99	21.61	21.14	21.45	21.18	
20	QPSK	50	0	20.50	20.67	20.60	20.38	21.80
20	QPSK	50	24	20.68	20.67	20.61	20.35	
20	QPSK	50	50	20.57	20.56	20.57	20.30	
20	QPSK	100	0	20.50	20.66	20.52	20.57	
20	16QAM	1	0	21.12	20.94	20.80	20.66	21.80
20	16QAM	1	49	20.78	20.82	20.90	20.65	
20	16QAM	1	99	21.01	20.65	20.67	20.63	
20	16QAM	50	0	19.58	19.62	19.58	19.52	20.80
20	16QAM	50	24	19.66	19.61	19.53	19.42	
20	16QAM	50	50	19.48	19.61	19.66	19.38	
20	16QAM	100	0	19.71	19.70	19.69	19.62	
20	64QAM	1	0	20.50	20.58	20.78	20.55	21.80
20	64QAM	1	49	20.91	20.76	20.86	20.41	
20	64QAM	1	99	20.87	20.42	20.62	20.48	
20	64QAM	50	0	19.60	19.62	19.58	19.45	20.80
20	64QAM	50	24	19.68	19.63	19.63	19.35	
20	64QAM	50	50	19.61	19.44	19.38	19.31	
20	64QAM	100	0	19.74	19.64	19.63	19.31	
Channel				40115	40395	40685	41165	Tune-up limit (dBm)
Frequency (MHz)				2542.5	2570.5	2599.5	2647.5	
15	QPSK	1	0	21.46	21.35	21.34	21.16	23.80
15	QPSK	1	37	21.44	21.48	21.47	21.14	
15	QPSK	1	74	21.00	21.12	21.08	21.14	
15	QPSK	36	0	20.55	20.61	20.66	20.40	22.80
15	QPSK	36	20	20.60	20.44	20.37	20.17	
15	QPSK	36	39	20.16	20.21	20.26	20.21	
15	QPSK	75	0	20.44	20.46	20.25	20.07	
15	16QAM	1	0	20.62	20.33	20.32	20.17	22.80



15	16QAM	1	37	20.61	20.43	20.23	20.14	
15	16QAM	1	74	20.48	20.20	20.22	20.51	
15	16QAM	36	0	19.52	19.61	19.59	19.41	
15	16QAM	36	20	19.57	19.45	19.41	19.25	21.80
15	16QAM	36	39	19.14	19.22	19.20	19.12	
15	16QAM	75	0	19.46	19.49	19.24	19.21	
15	64QAM	1	0	20.42	20.39	20.47	20.23	22.80
15	64QAM	1	37	20.50	20.67	20.46	20.21	
15	64QAM	1	74	20.26	20.41	20.48	20.37	
15	64QAM	36	0	19.60	19.61	19.59	19.45	21.80
15	64QAM	36	20	19.48	19.44	19.41	19.27	
15	64QAM	36	39	19.26	19.23	19.21	19.14	
15	64QAM	75	0	19.34	19.39	19.30	19.21	
Channel				40090	40390	40690	41190	Tune-up limit (dBm)
Frequency (MHz)				2540	2570	2600	2650	
10	QPSK	1	0	21.50	21.47	21.43	21.43	23.80
10	QPSK	1	25	21.45	21.40	21.49	21.43	
10	QPSK	1	49	21.38	21.47	21.55	21.34	
10	QPSK	25	0	20.79	20.74	20.63	20.31	22.80
10	QPSK	25	12	20.72	20.69	20.64	20.51	
10	QPSK	25	25	20.61	20.69	20.51	20.42	
10	QPSK	50	0	20.74	20.67	20.57	20.49	
10	16QAM	1	0	21.04	21.13	21.07	20.96	22.80
10	16QAM	1	25	21.00	20.90	20.68	20.67	
10	16QAM	1	49	21.07	20.85	20.87	20.72	
10	16QAM	25	0	19.70	19.79	19.63	19.72	21.80
10	16QAM	25	12	19.67	19.65	19.64	19.60	
10	16QAM	25	25	19.76	19.75	19.72	19.62	
10	16QAM	50	0	19.58	19.82	19.57	19.58	
10	64QAM	1	0	20.51	21.08	21.14	20.86	21.80
10	64QAM	1	25	20.70	20.67	20.54	20.64	
10	64QAM	1	49	21.00	20.71	20.81	20.13	
10	64QAM	25	0	19.75	19.82	19.63	19.64	20.80
10	64QAM	25	12	19.66	19.67	19.57	19.44	
10	64QAM	25	25	19.56	19.57	19.77	19.54	
10	64QAM	50	0	19.50	19.74	19.59	19.50	
Channel				40065	40385	40705	41215	Tune-up



Frequency (MHz)				2537.5	2569.5	2601.5	2652.5	limit (dBm)
5	QPSK	1	0	21.29	21.25	21.53	21.36	23.80
5	QPSK	1	12	21.51	21.56	21.53	21.52	
5	QPSK	1	24	21.43	21.51	21.48	21.57	
5	QPSK	12	0	21.07	20.77	20.94	20.82	22.80
5	QPSK	12	7	21.04	20.84	20.90	20.87	
5	QPSK	12	13	21.02	20.87	20.76	20.72	
5	QPSK	25	0	20.78	20.59	20.55	20.58	
5	16QAM	1	0	21.19	20.91	20.95	20.81	22.80
5	16QAM	1	12	21.13	20.89	20.94	20.92	
5	16QAM	1	24	21.01	20.83	20.85	20.72	
5	16QAM	12	0	20.12	19.73	19.64	19.74	21.80
5	16QAM	12	7	20.06	19.70	19.81	19.79	
5	16QAM	12	13	19.72	19.63	19.64	19.62	
5	16QAM	25	0	19.70	19.66	19.65	19.63	
5	64QAM	1	0	20.77	20.80	20.86	20.82	22.80
5	64QAM	1	12	20.85	21.06	20.71	20.82	
5	64QAM	1	24	20.75	20.71	20.82	20.83	
5	64QAM	12	0	19.62	19.67	19.57	19.63	21.80
5	64QAM	12	7	19.69	19.65	19.55	19.62	
5	64QAM	12	13	19.68	19.56	19.58	19.67	
5	64QAM	25	0	19.76	19.66	19.59	19.70	

Note: When the sensor is active, the power of top antenna will be reduced about 1dB and used for body measurement.



➤ For WWAN Bottom Antenna

<GSM1900>

GSM1900	Burst Average Power (dBm)			Tune-up Limit (dBm)	Frame-Average Power (dBm)			Tune-up Limit (dBm)
	TX Channel	512	661		810	512	661	
Frequency (MHz)	1850.2	1880	1909.8		1850.2	1880	1909.8	
GSM 1 Tx slot	26.60	26.48	26.53	27.30	17.60	17.48	17.53	18.30
GPRS 1 Tx slot	26.64	26.39	26.48	27.30	17.64	17.39	17.48	18.30
GPRS 2 Tx slots	26.28	26.18	26.27	26.30	20.28	20.18	20.27	20.30
GPRS 3 Tx slots	26.25	26.04	26.27	26.30	21.99	21.78	22.01	22.04
GPRS 4 Tx slots	26.12	25.95	26.05	26.30	23.12	22.95	23.05	23.30
EDGE 1 Tx slot	22.15	22.28	22.23	22.30	13.15	13.28	13.23	13.30
EDGE 2 Tx slots	22.24	22.09	22.24	22.30	16.24	16.09	16.24	16.30
EDGE 3 Tx slots	22.24	21.97	22.09	22.30	17.98	17.71	17.83	18.04
EDGE 4 Tx slots	22.12	21.87	21.94	22.30	19.12	18.87	18.94	19.30

Note: When the sensor is active, the power of bottom antenna will be reduced about 3dB and be used for body measurement

<WCDMA Band II>

Band		WCDMA Band II			Tune-up Limit (dBm)
TX Channel		9262	9400	9538	
Rx Channel		9662	9800	9938	
Frequency (MHz)		1852.4	1880	1907.6	
3GPP Rel 99	RMC 12.2Kbps	20.53	20.56	20.57	21.80
3GPP Rel 5	HSDPA Subtest-1	19.35	19.39	19.34	19.80
3GPP Rel 5	HSDPA Subtest-2	18.43	18.38	18.44	19.80
3GPP Rel 5	HSDPA Subtest-3	17.70	17.56	17.71	19.30
3GPP Rel 5	HSDPA Subtest-4	17.59	17.50	17.53	19.30
3GPP Rel 6	HSUPA Subtest-1	18.59	18.41	18.40	19.80
3GPP Rel 8	DC-HSDPA Subtest-1	17.84	17.88	17.83	18.30
3GPP Rel 8	DC-HSDPA Subtest-2	16.92	16.87	16.93	18.30
3GPP Rel 8	DC-HSDPA Subtest-3	16.19	16.05	16.20	17.80
3GPP Rel 8	DC-HSDPA Subtest-4	16.08	15.99	16.02	17.80
3GPP Rel 6	HSUPA Subtest-2	18.54	18.37	18.31	18.80
3GPP Rel 6	HSUPA Subtest-3	18.28	18.08	18.03	18.80
3GPP Rel 6	HSUPA Subtest-4	19.51	19.36	19.29	19.80
3GPP Rel 6	HSUPA Subtest-5	18.45	18.28	18.30	19.80
3GPP Rel 7	HSPA+ (16QAM) Subtest-1	17.61	17.47	17.44	18.80

Note: When the sensor is active, the power of bottom antenna will be reduced about 3dB and be used for



body measurement

<WCDMA Band IV>

Band		WCDMA Band IV			Tune-up Limit (dBm)
TX Channel		1312	1413	1513	
Rx Channel		1537	1638	1738	
Frequency (MHz)		1712.4	1732.6	1752.6	
3GPP Rel 99	RMC 12.2Kbps	20.36	20.35	20.40	21.80
3GPP Rel 5	HSDPA Subtest-1	19.47	19.43	19.38	19.80
3GPP Rel 5	HSDPA Subtest-2	18.50	18.43	18.41	19.80
3GPP Rel 5	HSDPA Subtest-3	17.66	17.71	17.65	19.30
3GPP Rel 5	HSDPA Subtest-4	17.57	17.62	17.58	19.30
3GPP Rel 8	DC-HSDPA Subtest-1	19.47	19.41	19.48	19.80
3GPP Rel 8	DC-HSDPA Subtest-2	19.38	19.36	19.43	19.80
3GPP Rel 8	DC-HSDPA Subtest-3	18.85	18.87	18.94	19.30
3GPP Rel 8	DC-HSDPA Subtest-4	18.91	18.89	18.93	19.30
3GPP Rel 6	HSUPA Subtest-1	18.51	18.43	18.41	19.80
3GPP Rel 6	HSUPA Subtest-2	18.49	18.40	18.37	18.80
3GPP Rel 6	HSUPA Subtest-3	18.18	18.09	18.11	18.80
3GPP Rel 6	HSUPA Subtest-4	19.45	19.38	19.39	19.80
3GPP Rel 6	HSUPA Subtest-5	18.39	18.33	18.30	19.80
3GPP Rel 7	HSPA+ (16QAM) Subtest-1	17.25	17.17	17.24	17.30

Note: When the sensor is active, the power of bottom antenna will be reduced about 2dB and be used for body measurement



<FDD-LTE Band 2>

BW [MHz]	Modulation	RB Size	RB Offset	Low Channel	Middle Channel	High Channel	Tune-up limit (dBm)
Channel				18700	18900	19100	
Frequency (MHz)				1860	1880	1900	
20	QPSK	1	0	20.80	20.81	20.64	21.80
20	QPSK	1	49	21.01	20.68	20.88	
20	QPSK	1	99	20.69	20.62	20.62	
20	QPSK	50	0	20.00	19.82	19.74	20.80
20	QPSK	50	24	19.83	19.75	19.91	
20	QPSK	50	50	19.83	19.68	19.74	
20	QPSK	100	0	19.92	19.87	19.80	
20	16QAM	1	0	20.25	19.99	20.04	20.80
20	16QAM	1	49	20.13	19.97	20.37	
20	16QAM	1	99	20.20	20.10	19.93	
20	16QAM	50	0	19.00	18.80	18.75	19.80
20	16QAM	50	24	18.78	18.80	18.78	
20	16QAM	50	50	18.73	18.70	18.60	
20	16QAM	100	0	18.87	18.79	18.78	
20	64QAM	1	0	19.90	19.78	19.95	20.80
20	64QAM	1	49	19.55	19.81	20.11	
20	64QAM	1	99	19.80	19.78	19.82	
20	64QAM	50	0	18.89	18.85	18.68	19.80
20	64QAM	50	24	18.81	18.76	18.77	
20	64QAM	50	50	18.75	18.66	18.62	
20	64QAM	100	0	18.98	18.86	18.90	
Channel				18675	18900	19125	Tune-up limit (dBm)
Frequency (MHz)				1857.5	1880	1902.5	
15	QPSK	1	0	20.92	20.99	20.95	21.80
15	QPSK	1	37	20.93	20.88	20.94	
15	QPSK	1	74	20.79	20.94	20.64	
15	QPSK	36	0	19.89	19.77	19.78	20.80
15	QPSK	36	20	19.94	19.77	19.74	
15	QPSK	36	39	19.89	19.68	19.56	
15	QPSK	75	0	19.87	19.85	19.81	
15	16QAM	1	0	20.25	20.36	19.98	20.80
15	16QAM	1	37	20.39	20.05	20.33	



15	16QAM	1	74	20.27	20.35	19.91	
15	16QAM	36	0	18.99	18.80	18.74	19.80
15	16QAM	36	20	19.00	18.71	18.72	
15	16QAM	36	39	18.78	18.68	18.52	
15	16QAM	75	0	18.91	18.75	18.78	
15	64QAM	1	0	19.81	19.80	19.93	20.80
15	64QAM	1	37	20.17	20.14	19.86	
15	64QAM	1	74	19.75	19.81	19.90	
15	64QAM	36	0	18.82	18.76	18.79	19.80
15	64QAM	36	20	18.97	18.76	18.76	
15	64QAM	36	39	18.89	18.63	18.60	
15	64QAM	75	0	18.90	18.71	18.59	
Channel				18650	18900	19150	Tune-up limit (dBm)
Frequency (MHz)				1855	1880	1905	
10	QPSK	1	0	20.69	20.84	20.65	21.80
10	QPSK	1	25	20.88	20.73	20.88	
10	QPSK	1	49	20.89	20.62	20.67	
10	QPSK	25	0	19.89	19.87	19.72	20.80
10	QPSK	25	12	19.86	19.68	19.65	
10	QPSK	25	25	19.94	19.77	19.96	
10	QPSK	50	0	19.85	19.72	19.66	
10	16QAM	1	0	20.30	20.15	20.35	20.80
10	16QAM	1	25	20.13	19.92	19.86	
10	16QAM	1	49	20.16	20.05	19.88	
10	16QAM	25	0	18.57	18.81	18.64	19.80
10	16QAM	25	12	18.90	18.69	18.65	
10	16QAM	25	25	18.91	18.82	18.75	
10	16QAM	50	0	19.00	18.82	18.86	
10	64QAM	1	0	19.65	19.96	20.01	20.80
10	64QAM	1	25	20.00	19.82	19.53	
10	64QAM	1	49	19.99	19.59	19.55	
10	64QAM	25	0	18.50	18.87	18.77	19.80
10	64QAM	25	12	18.87	18.69	18.60	
10	64QAM	25	25	18.93	18.76	18.74	
10	64QAM	50	0	18.83	18.79	18.77	
Channel				18625	18900	19175	Tune-up limit
Frequency (MHz)				1852.5	1880	1907.5	



							(dBm)
5	QPSK	1	0	21.03	20.87	20.87	21.80
5	QPSK	1	12	20.95	20.78	20.84	
5	QPSK	1	24	21.04	20.91	20.97	
5	QPSK	12	0	19.94	19.81	19.80	20.80
5	QPSK	12	7	19.97	19.81	19.74	
5	QPSK	12	13	19.87	19.76	19.83	
5	QPSK	25	0	20.10	19.75	19.81	
5	16QAM	1	0	20.16	20.31	20.37	20.80
5	16QAM	1	12	19.95	19.92	20.27	
5	16QAM	1	24	20.16	20.39	19.92	
5	16QAM	12	0	18.96	18.86	18.82	19.80
5	16QAM	12	7	18.95	18.88	18.76	
5	16QAM	12	13	18.97	18.75	18.54	
5	16QAM	25	0	18.91	18.80	18.71	
5	64QAM	1	0	20.09	19.92	20.10	20.80
5	64QAM	1	12	20.18	20.23	20.01	
5	64QAM	1	24	20.18	20.05	19.80	
5	64QAM	12	0	18.84	18.68	18.92	19.80
5	64QAM	12	7	19.02	18.70	18.63	
5	64QAM	12	13	18.99	18.87	18.56	
5	64QAM	25	0	19.05	18.72	18.73	
Channel				18615	18900	19185	Tune-up limit (dBm)
Frequency (MHz)				1851.5	1880	1908.5	
3	QPSK	1	0	20.98	20.68	20.71	21.80
3	QPSK	1	8	20.94	20.73	20.71	
3	QPSK	1	14	20.93	20.75	20.53	
3	QPSK	8	0	19.96	19.83	19.94	20.80
3	QPSK	8	4	20.03	19.71	19.96	
3	QPSK	8	7	20.01	19.66	19.71	
3	QPSK	15	0	19.95	19.69	19.80	
3	16QAM	1	0	20.34	20.25	20.03	20.80
3	16QAM	1	8	20.12	20.14	19.98	
3	16QAM	1	14	20.35	19.96	20.10	
3	16QAM	8	0	18.74	18.70	18.77	19.80
3	16QAM	8	4	19.03	18.81	18.74	
3	16QAM	8	7	18.86	18.76	18.83	



3	16QAM	15	0	18.90	18.86	18.88	20.80
3	64QAM	1	0	18.59	18.42	18.60	
3	64QAM	1	8	18.68	18.73	18.51	
3	64QAM	1	14	18.68	18.55	18.30	19.80
3	64QAM	8	0	17.34	17.18	17.42	
3	64QAM	8	4	17.52	17.20	17.13	
3	64QAM	8	7	17.49	17.37	17.06	
3	64QAM	15	0	17.55	17.22	17.23	Tune-up limit (dBm)
Channel				18607	18900	19193	
Frequency (MHz)				1850.7	1880	1909.3	
1.4	QPSK	1	0	20.93	20.74	20.75	21.80
1.4	QPSK	1	3	20.77	20.91	20.99	
1.4	QPSK	1	5	20.82	20.67	20.88	
1.4	QPSK	3	0	20.85	20.66	21.10	21.80
1.4	QPSK	3	1	20.90	20.90	20.78	
1.4	QPSK	3	3	21.04	20.77	20.78	
1.4	QPSK	6	0	19.90	19.63	19.74	
1.4	16QAM	1	0	20.24	19.88	20.17	20.80
1.4	16QAM	1	3	19.91	20.27	19.85	
1.4	16QAM	1	5	20.05	20.17	20.08	
1.4	16QAM	3	0	19.93	19.81	19.82	19.80
1.4	16QAM	3	1	19.94	19.84	19.68	
1.4	16QAM	3	3	20.03	19.58	20.02	
1.4	16QAM	6	0	18.81	18.71	18.88	
1.4	64QAM	1	0	18.15	18.46	18.51	20.80
1.4	64QAM	1	3	18.50	18.32	18.03	
1.4	64QAM	1	5	18.49	18.09	18.05	
1.4	64QAM	3	0	17.00	17.37	17.27	19.80
1.4	64QAM	3	1	17.37	17.19	17.10	
1.4	64QAM	3	3	17.43	17.26	17.24	
1.4	64QAM	6	0	17.33	17.29	17.27	

Note: When the sensor is active, the power of bottom antenna will be reduced about 2dB and used for body measurement



<FDD-LTE Band 4>

BW [MHz]	Modulation	RB Size	RB Offset	Low Channel	Middle Channel	High Channel	Tune-up limit (dBm)
Channel				20050	20175	20300	
Frequency (MHz)				1720	1732.5	1745	
20	QPSK	1	0	20.32	20.35	20.42	21.80
20	QPSK	1	49	20.26	20.29	20.29	
20	QPSK	1	99	20.46	20.68	20.64	
20	QPSK	50	0	19.36	19.37	19.57	20.80
20	QPSK	50	24	19.39	19.37	19.37	
20	QPSK	50	50	19.39	19.46	19.37	
20	QPSK	100	0	19.47	19.40	19.47	
20	16QAM	1	0	19.57	19.65	19.54	20.80
20	16QAM	1	49	19.57	19.74	19.59	
20	16QAM	1	99	19.93	19.56	20.03	
20	16QAM	50	0	18.45	18.30	18.39	19.80
20	16QAM	50	24	18.38	18.33	18.33	
20	16QAM	50	50	18.41	18.38	18.42	
20	16QAM	100	0	18.41	18.34	18.37	
20	64QAM	1	0	19.59	19.60	19.40	20.80
20	64QAM	1	49	19.31	19.23	19.26	
20	64QAM	1	99	19.60	19.71	19.62	
20	64QAM	50	0	18.41	18.27	18.41	19.80
20	64QAM	50	24	18.30	18.31	18.37	
20	64QAM	50	50	18.52	18.38	18.51	
20	64QAM	100	0	18.43	18.34	18.44	
Channel				20025	20175	20325	Tune-up limit (dBm)
Frequency (MHz)				1717.5	1732.5	1747.5	
15	QPSK	1	0	20.25	20.28	20.35	21.80
15	QPSK	1	37	20.19	20.22	20.22	
15	QPSK	1	74	20.39	20.61	20.57	
15	QPSK	36	0	19.29	19.30	19.50	20.80
15	QPSK	36	20	19.32	19.30	19.30	
15	QPSK	36	39	19.32	19.39	19.30	
15	QPSK	75	0	19.40	19.33	19.40	
15	16QAM	1	0	19.50	19.58	19.47	20.80
15	16QAM	1	37	19.50	19.67	19.52	



15	16QAM	1	74	19.86	19.49	19.96	
15	16QAM	36	0	18.38	18.23	18.32	19.80
15	16QAM	36	20	18.31	18.26	18.26	
15	16QAM	36	39	18.34	18.31	18.35	
15	16QAM	75	0	18.34	18.27	18.30	
15	64QAM	1	0	19.52	19.53	19.33	20.80
15	64QAM	1	37	19.24	19.16	19.19	
15	64QAM	1	74	19.53	19.64	19.55	
15	64QAM	36	0	18.34	18.20	18.34	19.80
15	64QAM	36	20	18.23	18.24	18.30	
15	64QAM	36	39	18.45	18.31	18.44	
15	64QAM	75	0	18.36	18.27	18.37	
Channel				20000	20175	20350	Tune-up limit (dBm)
Frequency (MHz)				1715	1732.5	1750	
10	QPSK	1	0	20.18	20.21	20.28	21.80
10	QPSK	1	25	20.12	20.15	20.15	
10	QPSK	1	49	20.32	20.54	20.50	
10	QPSK	25	0	19.22	19.23	19.43	20.80
10	QPSK	25	12	19.25	19.23	19.23	
10	QPSK	25	25	19.25	19.32	19.23	
10	QPSK	50	0	19.33	19.26	19.33	
10	16QAM	1	0	19.43	19.51	19.40	20.80
10	16QAM	1	25	19.43	19.60	19.45	
10	16QAM	1	49	19.79	19.42	19.89	
10	16QAM	25	0	18.31	18.16	18.25	19.80
10	16QAM	25	12	18.24	18.19	18.19	
10	16QAM	25	25	18.27	18.24	18.28	
10	16QAM	50	0	18.27	18.20	18.23	
10	64QAM	1	0	19.44	19.45	19.25	20.80
10	64QAM	1	25	19.16	19.08	19.11	
10	64QAM	1	49	19.45	19.56	19.47	
10	64QAM	25	0	18.26	18.12	18.26	19.80
10	64QAM	25	12	18.15	18.16	18.22	
10	64QAM	25	25	18.37	18.23	18.36	
10	64QAM	50	0	18.28	18.19	18.29	
Channel				19975	20175	20375	Tune-up limit
Frequency (MHz)				1712.5	1732.5	1752.5	



							(dBm)
5	QPSK	1	0	20.15	20.18	20.25	21.80
5	QPSK	1	12	20.09	20.12	20.12	
5	QPSK	1	24	20.29	20.51	20.47	
5	QPSK	12	0	19.19	19.20	19.40	20.80
5	QPSK	12	7	19.22	19.20	19.20	
5	QPSK	12	13	19.22	19.29	19.20	
5	QPSK	25	0	19.30	19.23	19.30	
5	16QAM	1	0	19.40	19.48	19.37	20.80
5	16QAM	1	12	19.40	19.57	19.42	
5	16QAM	1	24	19.76	19.39	19.86	
5	16QAM	12	0	18.28	18.13	18.22	19.80
5	16QAM	12	7	18.21	18.16	18.16	
5	16QAM	12	13	18.24	18.21	18.25	
5	16QAM	25	0	18.24	18.17	18.20	
5	64QAM	1	0	19.41	19.42	19.22	20.80
5	64QAM	1	12	19.13	19.05	19.08	
5	64QAM	1	24	19.42	19.53	19.44	
5	64QAM	12	0	18.23	18.09	18.23	19.80
5	64QAM	12	7	18.12	18.13	18.19	
5	64QAM	12	13	18.34	18.20	18.33	
5	64QAM	25	0	18.25	18.16	18.26	
Channel				19965	20175	20385	Tune-up limit (dBm)
Frequency (MHz)				1711.5	1732.5	1753.5	
3	QPSK	1	0	20.12	20.15	20.22	21.80
3	QPSK	1	8	20.06	20.09	20.09	
3	QPSK	1	14	20.26	20.48	20.44	
3	QPSK	8	0	19.16	19.17	19.37	20.80
3	QPSK	8	4	19.19	19.17	19.17	
3	QPSK	8	7	19.19	19.26	19.17	
3	QPSK	15	0	19.27	19.20	19.27	
3	16QAM	1	0	19.37	19.45	19.34	20.80
3	16QAM	1	8	19.37	19.54	19.39	
3	16QAM	1	14	19.73	19.36	19.83	
3	16QAM	8	0	18.25	18.10	18.19	19.80
3	16QAM	8	4	18.18	18.13	18.13	
3	16QAM	8	7	18.21	18.18	18.22	



3	16QAM	15	0	18.21	18.14	18.17	
3	64QAM	1	0	18.74	18.02	17.73	20.80
3	64QAM	1	8	18.71	18.18	17.89	
3	64QAM	1	14	18.71	18.24	17.81	
3	64QAM	8	0	17.72	17.36	16.82	19.80
3	64QAM	8	4	17.72	17.15	16.83	
3	64QAM	8	7	17.58	16.99	16.77	
3	64QAM	15	0	17.74	17.16	16.83	
Channel				19957	20175	20393	Tune-up limit (dBm)
Frequency (MHz)				1710.7	1732.5	1754.3	
1.4	QPSK	1	0	20.11	20.14	20.21	21.80
1.4	QPSK	1	3	20.05	20.08	20.08	
1.4	QPSK	1	5	20.25	20.47	20.43	
1.4	QPSK	3	0	19.15	19.16	19.36	21.80
1.4	QPSK	3	1	19.18	19.16	19.16	
1.4	QPSK	3	3	19.18	19.25	19.16	
1.4	QPSK	6	0	19.26	19.19	19.26	
1.4	16QAM	1	0	19.36	19.44	19.33	20.80
1.4	16QAM	1	3	19.36	19.53	19.38	
1.4	16QAM	1	5	19.72	19.35	19.82	
1.4	16QAM	3	0	18.24	18.09	18.18	19.80
1.4	16QAM	3	1	18.17	18.12	18.12	
1.4	16QAM	3	3	18.20	18.17	18.21	
1.4	16QAM	6	0	18.20	18.13	18.16	
1.4	64QAM	1	0	19.51	19.52	19.32	20.80
1.4	64QAM	1	3	19.23	19.15	19.18	
1.4	64QAM	1	5	19.52	19.63	19.54	
1.4	64QAM	3	0	18.33	18.19	18.33	19.80
1.4	64QAM	3	1	18.22	18.23	18.29	
1.4	64QAM	3	3	18.44	18.30	18.43	
1.4	64QAM	6	0	18.35	18.26	18.36	

Note: When the sensor is active, the power of bottom antenna will be reduced about 2dB and used for body measurement

14. LTE Carrier Aggregation

14.1. Carrier Aggregation Combination

This device supports Carrier Aggregation on downlink for inter. For the device supports bands and bandwidths and configurations are provided as follow table was according to 3GPP.

E-UTRA CA configuration	Downlink CA configurations (NOTE 3)	Component carriers in order of increasing carrier frequency			Maximum aggregated bandwidth [MHz]	Bandwidth combination set
		Channel bandwidths for carrier [MHz]	Channel bandwidths for carrier [MHz]	Channel bandwidths for carrier [MHz]		
CA_2C	CA_2C	5	20		40	0
		10	15,20			
		15	10,15,20			1
		20	5,10,15,20			
CA_7C	CA_7C	15	15		40	0
		20	20			
		10	20		20	1
		15	15,20			
		20	10,15,20			
CA_38C	CA_38C	15	15		40	1
		20	20			
CA_41C	CA_41C	10	20		40	0
		15	15,20			
		20	10,15,20			
		5,10	20		40	1
		15	15,20			
		20	5,10,15,20			

14.2. LTE Downlink Carrier Aggregation Conducted Power

1. According to KDB941225 D05A v01r02, Uplink maximum output power measurement with downlink carrier aggregation active should be measured, using the highest output channel measured without downlink carrier aggregation, to confirm that uplink maximum output power with downlink carrier aggregation active remains within the specified tune-up tolerance limits and not more than ¼ dB higher than the maximum output measured without downlink carrier aggregation active.
2. Uplink maximum output power with downlink carrier aggregation active does not show more than ¼ dB higher than the maximum output power without downlink carrier aggregation active, therefore SAR evaluation with downlink carrier aggregation active can be excluded.
3. For power measurement were control and acknowledge data is sent on uplink channels that operate identical to specifications when downlink carrier aggregation is inactive.
4. Selected highest measured power when downlink carrier aggregation is inactive for conducted power comparison with downlink carrier aggregation is active, to confirm that when downlink carrier aggregation is active uplink maximum output power remains within the specified tune-up tolerance limits and not more than ¼ dB higher than the maximum output power measured when downlink carrier aggregation inactive.
5. For non-contiguous intra-band CA, the SCC selected to provide maximum separation from the PCC and must remain fully within the downlink transmission band.
6. For Intra-band, contiguous CA, the downlink channels selected to perform the uplink power measurement must satisfy
7. 3GPP channel spacing (5.4.1A of 3GPP TS 36.521 or equivalent) and channel bandwidth (5.4.2A) requirements.

$$\text{Nominal channel spacing} = \left\lceil \frac{BW_{\text{Channel}(1)} + BW_{\text{Channel}(2)} - 0.1|BW_{\text{Channel}(1)} - BW_{\text{Channel}(2)}|}{0.6} \right\rceil 0.3 \text{ [MHz]}$$



➤ Full Power for 2CC power verification

PCC					SCC				Power	
CA_Band	BW (MHz)	RB Offset	UL Ch.	UL Freq. (MHz)	BW (MHz)	RB Offset	DL Ch.	DL Freq. (MHz)	Power With DL_CA	Rel. 8 Power
intra-band CA (2CC)										
CA_2C	20	1#49	18700	1860	20	1#49	898	1959.8	22.50	22.80
CA_7C	20	1#99	20850	2510	20	1#99	3048	2649.8	21.73	22.24
CA_38C	20	1#0	37901	2585.1	20	1#0	38099	2604.9	22.50	22.67
CA_41C	20	1#99	40521	2583.1	20	1#99	40719	2602.9	22.29	22.58

➤ Reduced Power for 2CC power verification(Top Antenna for Head)

PCC					SCC				Power	
CA_Band	BW (MHz)	RB Offset	UL Ch.	UL Freq. (MHz)	BW (MHz)	RB Offset	DL Ch.	DL Freq. (MHz)	Power With DL_CA	Rel. 8 Power
intra-band CA (2CC)										
CA_2C	20	1#49	18700	1860	20	1#49	898	1959.8	18.98	19.24
CA_7C	20	1#99	20850	2510	20	1#99	3048	2649.8	16.57	17.02
CA_38C	20	1#0	37901	2585.1	20	1#0	38099	2604.9	20.66	20.73
CA_41C	20	1#99	40521	2583.1	20	1#99	40719	2602.9	19.77	19.96

➤ Reduced Power for 2CC power verification(Top Antenna for Body)

PCC					SCC				Power	
CA_Band	BW (MHz)	RB Offset	UL Ch.	UL Freq. (MHz)	BW (MHz)	RB Offset	DL Ch.	DL Freq. (MHz)	Power With DL_CA	Rel. 8 Power
intra-band CA (2CC)										
CA_2C	20	1#49	18700	1860	20	1#49	898	1959.8	20.97	21.16
CA_7C	20	1#99	20850	2510	20	1#99	3048	2649.8	19.67	19.86
CA_38C	20	1#0	37901	2585.1	20	1#0	38099	2604.9	21.65	21.66
CA_41C	20	1#99	40521	2583.1	20	1#99	40719	2602.9	21.53	21.61

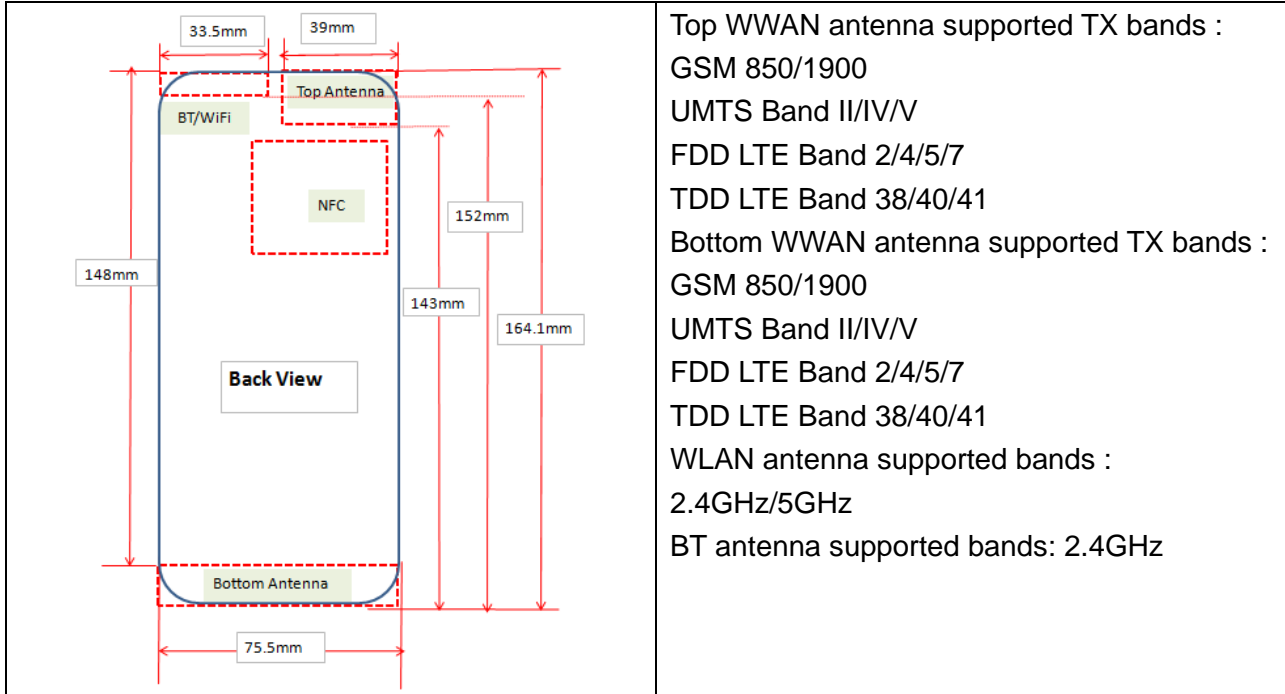


➤ **Reduced Power for 2CC power verification(Bottom Antenna for Body)**

PCC					SCC				Power	
CA_Band	BW (MHz)	RB Offset	UL Ch.	UL Freq. (MHz)	BW (MHz)	RB Offset	DL Ch.	DL Freq. (MHz)	Power With DL_CA	Rel. 8 Power
intra-band CA (2CC)										
CA_2C	20	1#49	18700	1860	20	1#49	898	1959.8	20.67	21.01

15. Hot-Spot Mode Evaluation Procedure

➤ EUT Antenna Location



➤ EUT Antenna Distance

Antenna Location	Support Function	Top Side(mm)	Bottom Side(mm)	Left Side(mm)	Right Side(mm)
WWAN Top Antenna	TX/RX	<5	>25	<5	>25
WWAN Bottom Antenna	TX/RX	>25	<5	<5	<5
BT/WLAN Antenna	TX/RX	<5	>25	>25	<5

➤ Hotspot Evaluation:

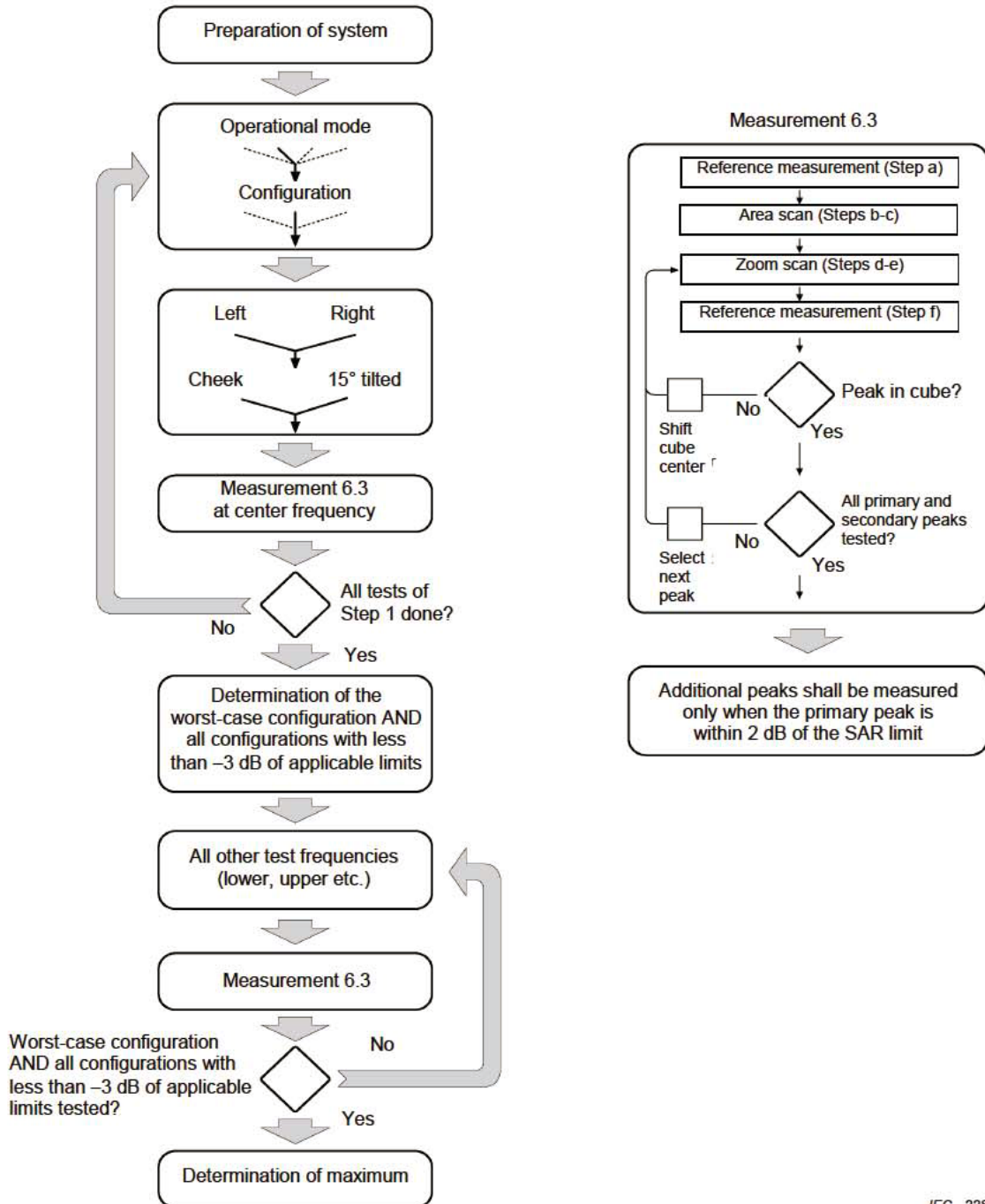
Assessment	Hotspot side for SAR Test distance: 10mm					
	Back	Front	Top	Bottom	Left	Right
Antennas						
WWAN Top Antenna	Yes	Yes	Yes	No	Yes	No
WWAN Bottom Antenna	Yes	Yes	No	Yes	Yes	Yes
BT/WLAN Antenna	Yes	Yes	Yes	No	No	Yes

Note :

- The SAR evaluation procedures for Portable Devices with Wireless Router function is according to KDB 941225 D06 Hotspot SAR v02r01.
- Head/Body-worn/Hotspot mode SAR assessments are required.
- Referring to KDB 941225 D06, when the overall device length and width are $\geq 9\text{cm} \times 5\text{cm}$, the test distance is 10 mm. SAR must be measured for all sides and surfaces with a transmitting antenna located within 25mm from that surface or edge.

16. Block Diagram of the Tests to be Performed

16.1. Head



IEC 228/05

16.2. Body

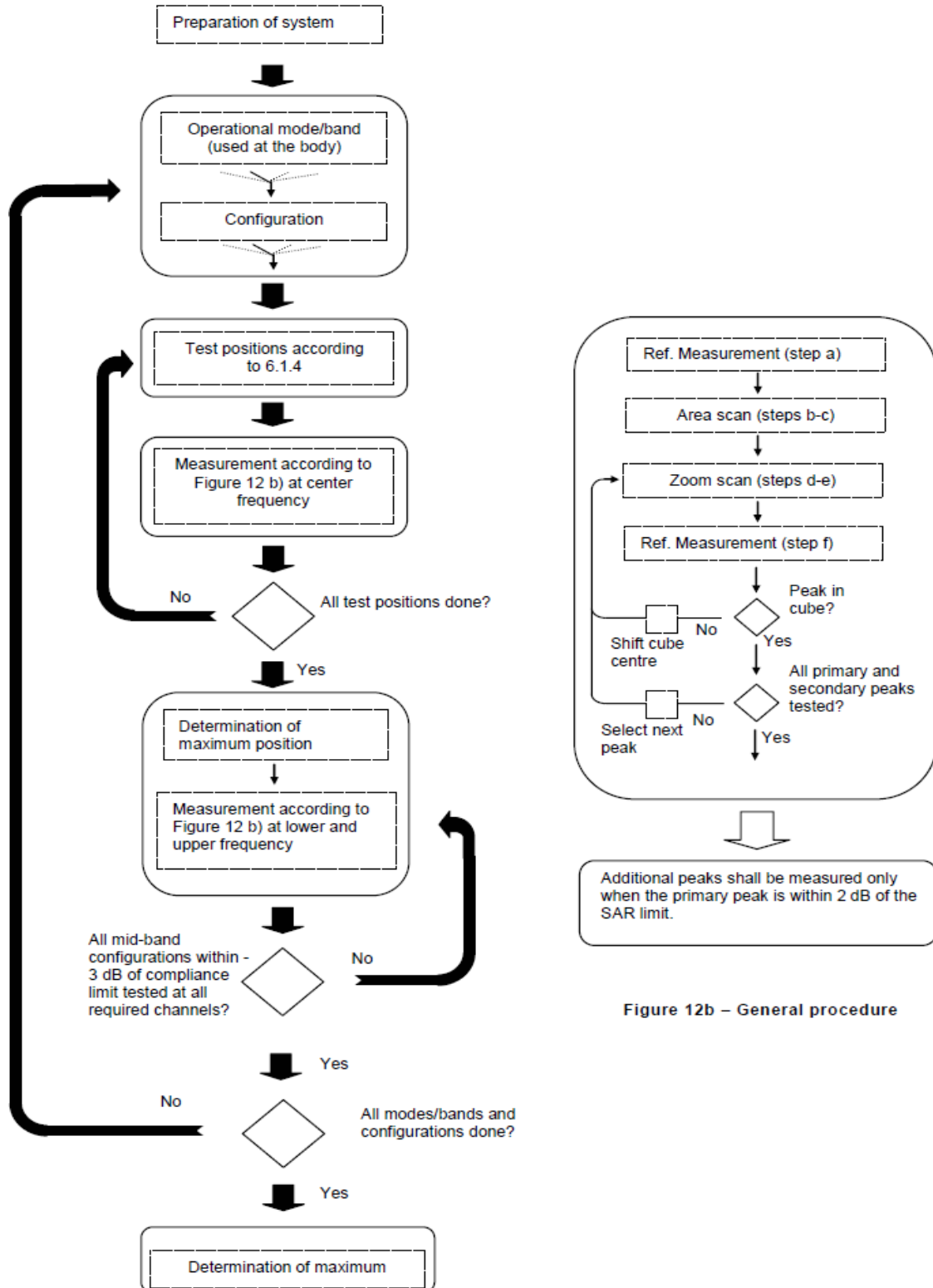


Figure 12b – General procedure

17. Test Results List

17.1. Test Guidance

1. Per KDB 447498 D01v06, the reported SAR is the measured SAR value adjusted for maximum tune-up tolerance.
 - a. Tune-up scaling Factor = tune-up limit power (mW) / EUT RF power (mW), where tune-up limit is the maximum rated power among all production units.
 - b. For SAR testing of WLAN signal with non-100% duty cycle, the measured SAR is scaled-up by the duty cycle scaling factor which is equal to "1/(duty cycle)".
 - c. For WWAN: Reported SAR(W/kg)= Measured SAR(W/kg)*Tune-up Scaling Factor.
 - d. For WLAN/Bluetooth: Reported SAR(W/kg)= Measured SAR(W/kg)* Duty Cycle scaling factor * Tune-up scaling factor.
2. Per KDB 447498 D01v06, for each exposure position, testing of other required channels within the operating mode of a frequency band is not required when the *reported* 1-g or 10-g SAR for the mid-band or highest output power channel is:
 - a. ≤ 0.8 W/kg or 2.0 W/kg, for 1-g or 10-g respectively, when the transmission band is ≤ 100 MHz
 - b. ≤ 0.6 W/kg or 1.5 W/kg, for 1-g or 10-g respectively, when the transmission band is between 100 MHz and 200 MHz
 - c. ≤ 0.4 W/kg or 1.0 W/kg, for 1-g or 10-g respectively, when the transmission band is ≥ 200 MHz
3. Per KDB 865664 D01v01r04, for each frequency band, repeated SAR measurement is required only when the measured SAR is ≥ 0.8 W/kg.
4. Per KDB 648474 D04v01r03, when the reported SAR for a body-worn accessory measured without a headset connected to the handset is ≤ 1.2 W/kg, SAR testing with a headset connected to the handset is not required.
5. Per KDB648474 D04v01r03, for smart phones with a display diagonal dimension > 15.0 cm or an overall diagonal dimension > 16.0 cm, when hotspot mode applies, 10-g extremity SAR is required only for the surfaces and edges with hotspot mode 1-g reported SAR > 1.2 W/kg, however, when power reduction applies to hotspot mode the measured SAR must be scaled



to the maximum output power, including tolerance, allowed for tablet modes to compare with the 1.2 W/kg SAR test reduction threshold.

6. Per KDB248227 D01v02r02, a Wi-Fi device must be configured to transmit continuously at the required data rate, channel bandwidth and signal modulation, using the highest transmission duty factor supported by the test mode tools for SAR measurement. The test frequencies established using test mode must correspond to the actual channel frequencies required for operations in the U.S. When 802.11 frame gaps are accounted for in the transmission, a maximum transmission duty factor of 92 - 96% is typically achievable in most test mode configurations. A minimum transmission duty factor of 85% is required to avoid certain hardware and device implementation issues related to wide range SAR scaling. In addition, a periodic transmission duty factor is required for current generation SAR systems to measure SAR correctly. Unless it is permitted by specific KDB procedures or continuous transmission is specifically restricted by the device, the reported SAR must be scaled to 100% transmission duty factor to determine compliance at the maximum tune-up tolerance limit. When a device is not capable of sustaining continuous transmission or the output can become nonlinear, and it is limited by hardware design and unable to transmit at higher than 85% duty factor, a periodic duty factor within 15% of the maximum duty factor the device is capable of transmitting should be used. The reported SAR must be scaled to the maximum transmission duty factor to determine compliance. Descriptions of the procedures applied to establish the specific duty factor used for SAR testing are required in SAR reports to support the test results.
7. The EUT respectively defined the top and bottom antenna maximum power in the software. Both the top and bottom antenna will switch automatically according to the receiver signal strength and maximum transmission power level. In general, the same full power is applied to the top and bottom antenna, when the receiver is off and the power reduction of top and bottom antennas will be applied to the body, when the receiver is active and closed to the ear, the power reduction of top antenna will be applied to the head.
8. For TDD-LTE Band 40, the entire band is unable to be used that as per 27.5; only 2 paried block (2305 to 2310MHz, 2350 to 2360MHz) are allowed with regards to "TDD" operation. the channel allocation, and bandwidth covert to test channels shall be re-adjusted; furthermore, as per 27.50, the duty cycle must be adjusted that TDD in this band must not exceed 38%. Before testing, the special combination must be set in the base station before the periodic measurement can be carried out.
9. There are three types of battery in this report, the type 1 for the main test battery and the others will be used to verifying the worst case of top or bottom antenna at the head and body



for WWAN bands, and all of the WLAN 2.4GHz & 5GHz bands just evaluated the worst case of the device.

17.2. Head SAR Data

➤ GSM Head SAR

Plot No.	Band/Mode	Test Position	CH.	Ave. Power (dBm)	Tune-up Limit (dBm)	Tune-up Scaling Factor	Meas. SAR1g (W/kg)	Reported SAR1g (W/kg)
Top Ant.								
1#	GPRS 850/4 TX slots	Right Cheek	251	30.80	31.30	1.122	0.666	0.747
	GPRS 850/4 TX slots	Right Tilt	251	30.80	31.30	1.122	0.585	0.656
	GPRS 850/4 TX slots	Left Cheek	251	30.80	31.30	1.122	0.193	0.217
	GPRS 850/4 TX slots	Left Tilt	251	30.80	31.30	1.122	0.145	0.163
Bottom Ant.								
	GPRS 850/4 TX slots	Right Cheek	251	30.80	31.30	1.122	0.206	0.231
	GPRS 850/4 TX slots	Right Tilt	251	30.80	31.30	1.122	0.110	0.123
	GPRS 850/4 TX slots	Left Cheek	251	30.80	31.30	1.122	0.202	0.227
	GPRS 850/4 TX slots	Left Tilt	251	30.80	31.30	1.122	0.110	0.123
Battery type 2 at the worst case								
	GPRS 850/4 TX slots	Right Cheek	251	30.80	31.30	1.122	0.612	0.687
Battery type 3 at the worst case								
	GPRS 850/4 TX slots	Right Cheek	251	30.80	31.30	1.122	0.638	0.716
Top Ant.								
2#	GPRS 1900/4 TX slots	Right Cheek	512	24.88	25.30	1.102	0.686	0.756
	GPRS 1900/4 TX slots	Right Tilt	512	24.88	25.30	1.102	0.597	0.658
	GPRS 1900/4 TX slots	Left Cheek	512	24.88	25.30	1.102	0.183	0.202
	GPRS 1900/4 TX slots	Left Tilt	512	24.88	25.30	1.102	0.179	0.197
Bottom Ant.								
	GPRS 1900/4 TX slots	Right Cheek	512	28.78	29.30	1.127	0.086	0.097
	GPRS 1900/4 TX slots	Right Tilt	512	28.78	29.30	1.127	0.069	0.078
	GPRS 1900/4 TX slots	Left Cheek	512	28.78	29.30	1.127	0.032	0.036
	GPRS 1900/4 TX slots	Left Tilt	512	28.78	29.30	1.127	0.026	0.030
Battery type 2 at the worst case								
	GPRS 1900/4 TX slots	Right Cheek	512	24.88	25.30	1.102	0.634	0.699
Battery type 3 at the worst case								
	GPRS 1900/4 TX slots	Right Cheek	512	24.88	25.30	1.102	0.667	0.735



➤ **WCDMA Head SAR**

Plot No.	Band/Mode	Test Position	CH.	Ave. Power (dBm)	Tune-up Limit (dBm)	Tune-up Scaling Factor	Meas. SAR1g (W/kg)	Reported SAR1g (W/kg)
Top Ant.								
3#	Band II/RMC	Right Cheek	9538	17.03	17.80	1.194	0.534	0.638
	Band II/RMC	Right Tilt	9538	17.03	17.80	1.194	0.447	0.534
	Band II/RMC	Left Cheek	9538	17.03	17.80	1.194	0.293	0.350
	Band II/RMC	Left Tilt	9538	17.03	17.80	1.194	0.349	0.417
Bottom Ant.								
	Band II/RMC	Right Cheek	9538	22.89	23.80	1.233	0.088	0.109
	Band II/RMC	Right Tilt	9538	22.89	23.80	1.233	0.040	0.049
	Band II/RMC	Left Cheek	9538	22.89	23.80	1.233	0.031	0.038
	Band II/RMC	Left Tilt	9538	22.89	23.80	1.233	0.028	0.035
Battery type 2 at the worst case								
	Band II/RMC	Right Cheek	9538	17.03	17.80	1.194	0.51	0.609
Battery type 3 at the worst case								
	Band II/RMC	Right Cheek	9538	17.03	17.80	1.194	0.528	0.630
Top Ant.								
4#	Band IV/RMC	Right Cheek	1513	16.80	17.80	1.259	0.291	0.366
	Band IV/RMC	Right Tilt	1513	16.80	17.80	1.259	0.279	0.351
	Band IV/RMC	Left Cheek	1513	16.80	17.80	1.259	0.252	0.317
	Band IV/RMC	Left Tilt	1513	16.80	17.80	1.259	0.235	0.296
Bottom Ant.								
	Band IV/RMC	Right Cheek	1513	22.52	23.80	1.343	0.060	0.081
	Band IV/RMC	Right Tilt	1513	22.52	23.80	1.343	0.055	0.074
	Band IV/RMC	Left Cheek	1513	22.52	23.80	1.343	0.054	0.072
	Band IV/RMC	Left Tilt	1513	22.52	23.80	1.343	0.052	0.070
Battery type 2 at the worst case								
	Band IV/RMC	Right Cheek	1513	16.80	17.80	1.259	0.283	0.356
Battery type 3 at the worst case								
	Band IV/RMC	Right Cheek	1513	16.80	17.80	1.259	0.286	0.360
Top Ant.								
5#	Band V/RMC	Right Cheek	4132	23.17	24.10	1.239	0.663	0.821
	Band V/RMC	Right Tilt	4132	23.17	24.10	1.239	0.375	0.465
	Band V/RMC	Left Cheek	4132	23.17	24.10	1.239	0.205	0.254
	Band V/RMC	Left Tilt	4132	23.17	24.10	1.239	0.163	0.202
	Band V/RMC	Right Cheek	4183	23.17	24.10	1.239	0.567	0.702



	Band V/RMC	Right Cheek	4233	23.17	24.10	1.239	0.615	0.762
Bottom Ant.								
	Band V/RMC	Right Cheek	4132	23.17	24.10	1.239	0.106	0.131
	Band V/RMC	Right Tilt	4132	23.17	24.10	1.239	0.058	0.072
	Band V/RMC	Left Cheek	4132	23.17	24.10	1.239	0.099	0.123
	Band V/RMC	Left Tilt	4132	23.17	24.10	1.239	0.052	0.064
Battery type 2 at the worst case								
	Band V/RMC	Right Cheek	4132	23.17	24.10	1.239	0.657	0.814
Battery type 3 at the worst case								
	Band V/RMC	Right Cheek	4132	23.17	24.10	1.239	0.627	0.777

➤ **LTE QPSK Head SAR**

Plot No.	Band/Mode	Test Position	CH.	Ave. Power (dBm)	Tune-up Limit (dBm)	Tune-up Scaling Factor	Meas. SAR1g (W/kg)	Reported SAR1g (W/kg)
Top Ant.								
6#	LTE Band 2/1RB#49 20M	Right Cheek	18700	19.24	19.80	1.138	0.684	0.778
	LTE Band 2/1RB#49 20M	Right Tilt	18700	19.24	19.80	1.138	0.651	0.741
	LTE Band 2/1RB#49 20M	Left Cheek	18700	19.24	19.80	1.138	0.385	0.438
	LTE Band 2/1RB#49 20M	Left Tilt	18700	19.24	19.80	1.138	0.441	0.502
Bottom Ant.								
	LTE Band 2/50RB#0 20M	Right Cheek	18700	18.23	18.80	1.140	0.569	0.649
	LTE Band 2/50RB#0 20M	Right Tilt	18700	18.23	18.80	1.140	0.497	0.567
	LTE Band 2/50RB#0 20M	Left Cheek	18700	18.23	18.80	1.140	0.401	0.457
	LTE Band 2/50RB#0 20M	Left Tilt	18700	18.23	18.80	1.140	0.445	0.507
Battery type 2 at the worst case								
	LTE Band 2/1RB#49 20M	Right Cheek	18700	22.80	23.80	1.259	0.167	0.210
	LTE Band 2/1RB#49 20M	Right Tilt	18700	22.80	23.80	1.259	0.091	0.115
	LTE Band 2/1RB#49 20M	Left Cheek	18700	22.80	23.80	1.259	0.044	0.056
	LTE Band 2/1RB#49 20M	Left Tilt	18700	22.80	23.80	1.259	0.046	0.058
Battery type 3 at the worst case								
	LTE Band 2/50RB#0 20M	Right Cheek	18700	21.79	22.80	1.262	0.130	0.164
	LTE Band 2/50RB#0 20M	Right Tilt	18700	21.79	22.80	1.262	0.062	0.078
	LTE Band 2/50RB#0 20M	Left Cheek	18700	21.79	22.80	1.262	0.036	0.046
	LTE Band 2/50RB#0 20M	Left Tilt	18700	21.79	22.80	1.262	0.034	0.043
Battery type 2 at the worst case								
	LTE Band 2/1RB#49 20M	Right Cheek	18700	19.24	19.80	1.138	0.658	0.749
Battery type 3 at the worst case								
	LTE Band 2/1RB#49 20M	Right Cheek	18700	19.24	19.80	1.138	0.657	0.747



Plot No.	Band/Mode	Test Position	CH.	Ave. Power (dBm)	Tune-up Limit (dBm)	Tune-up Scaling Factor	Meas. SAR1g (W/kg)	Reported SAR1g (W/kg)
Top Ant.								
7#	LTE Band 4/1RB#99 20M	Right Cheek	20175	21.30	21.80	1.122	0.704	0.790
	LTE Band 4/1RB#99 20M	Right Tilt	20175	21.30	21.80	1.122	0.662	0.743
	LTE Band 4/1RB#99 20M	Left Cheek	20175	21.30	21.80	1.122	0.423	0.475
	LTE Band 4/1RB#99 20M	Left Tilt	20175	21.30	21.80	1.122	0.459	0.515
Bottom Ant.								
	LTE Band 4/50RB#50 20M	Right Cheek	20175	20.19	20.80	1.151	0.536	0.617
	LTE Band 4/50RB#50 20M	Right Tilt	20175	20.19	20.80	1.151	0.551	0.634
	LTE Band 4/50RB#50 20M	Left Cheek	20175	20.19	20.80	1.151	0.411	0.473
	LTE Band 4/50RB#50 20M	Left Tilt	20175	20.19	20.80	1.151	0.448	0.516
Battery type 2 at the worst case								
	LTE Band 4/1RB#99 20M	Right Cheek	20175	22.78	23.80	1.265	0.168	0.212
	LTE Band 4/1RB#99 20M	Right Tilt	20175	22.78	23.80	1.265	0.074	0.094
	LTE Band 4/1RB#99 20M	Left Cheek	20175	22.78	23.80	1.265	0.071	0.090
	LTE Band 4/1RB#99 20M	Left Tilt	20175	22.78	23.80	1.265	0.063	0.079
	LTE Band 4/50RB#50 20M	Right Cheek	20175	21.56	22.80	1.330	0.129	0.172
	LTE Band 4/50RB#50 20M	Right Tilt	20175	21.56	22.80	1.330	0.060	0.080
	LTE Band 4/50RB#50 20M	Left Cheek	20175	21.56	22.80	1.330	0.052	0.069
	LTE Band 4/50RB#50 20M	Left Tilt	20175	21.56	22.80	1.330	0.050	0.067
	LTE Band 4/1RB#99 20M	Right Cheek	20175	21.30	21.80	1.122	0.668	0.76
	LTE Band 4/1RB#99 20M	Right Cheek	20175	21.30	21.80	1.122	0.637	0.715



Plot No.	Band/Mode	Test Position	CH.	Ave. Power (dBm)	Tune-up Limit (dBm)	Tune-up Scaling Factor	Meas. SAR1g (W/kg)	Reported SAR1g (W/kg)
Top Ant.								
8#	LTE Band 5/1RB#49 10M	Right Cheek	20450	23.45	24.10	1.161	0.407	0.473
	LTE Band 5/1RB#49 10M	Right Tilt	20450	23.45	24.10	1.161	0.316	0.367
	LTE Band 5/1RB#49 10M	Left Cheek	20450	23.45	24.10	1.161	0.255	0.296
	LTE Band 5/1RB#49 10M	Left Tilt	20450	23.45	24.10	1.161	0.131	0.152
	LTE Band 5/25RB#25 10M	Right Cheek	20450	22.13	23.10	1.250	0.266	0.333
	LTE Band 5/25RB#25 10M	Right Tilt	20450	22.13	23.10	1.250	0.201	0.251
	LTE Band 5/25RB#25 10M	Left Cheek	20450	22.13	23.10	1.250	0.198	0.248
	LTE Band 5/25RB#25 10M	Left Tilt	20450	22.13	23.10	1.250	0.156	0.195
Bottom Ant.								
	LTE Band 5/1RB#49 10M	Right Cheek	20450	23.45	24.10	1.161	0.193	0.224
	LTE Band 5/1RB#49 10M	Right Tilt	20450	23.45	24.10	1.161	0.089	0.103
	LTE Band 5/1RB#49 10M	Left Cheek	20450	23.45	24.10	1.161	0.107	0.124
	LTE Band 5/1RB#49 10M	Left Tilt	20450	23.45	24.10	1.161	0.052	0.061
	LTE Band 5/25RB#25 10M	Right Cheek	20450	22.13	23.10	1.250	0.165	0.206
	LTE Band 5/25RB#25 10M	Right Tilt	20450	22.13	23.10	1.250	0.078	0.098
	LTE Band 5/25RB#25 10M	Left Cheek	20450	22.13	23.10	1.250	0.068	0.085
	LTE Band 5/25RB#25 10M	Left Tilt	20450	22.13	23.10	1.250	0.038	0.047
Battery type 2 at the worst case								
	LTE Band 5/1RB#49 10M	Right Cheek	20450	23.45	24.10	1.161	0.368	0.427
Battery type 3 at the worst case								
	LTE Band 5/1RB#49 10M	Right Cheek	20450	23.45	24.10	1.161	0.357	0.415
Top Ant.								
9#	LTE Band 7/1RB#99 20M	Right Cheek	20850	17.02	17.30	1.067	0.498	0.531
	LTE Band 7/1RB#99 20M	Right Tilt	20850	17.02	17.30	1.067	0.413	0.441
	LTE Band 7/1RB#99 20M	Left Cheek	20850	17.02	17.30	1.067	0.386	0.412
	LTE Band 7/1RB#99 20M	Left Tilt	20850	17.02	17.30	1.067	0.336	0.358
	LTE Band 7/50RB#24 20M	Right Cheek	20850	15.86	16.30	1.107	0.412	0.456
	LTE Band 7/50RB#24 20M	Right Tilt	20850	15.86	16.30	1.107	0.384	0.425
	LTE Band 7/50RB#24 20M	Left Cheek	20850	15.86	16.30	1.107	0.399	0.442
	LTE Band 7/50RB#24 20M	Left Tilt	20850	15.86	16.30	1.107	0.358	0.396



Plot No.	Band/Mode	Test Position	CH.	Ave. Power (dBm)	Tune-up Limit (dBm)	Tune-up Scaling Factor	Meas. SAR1g (W/kg)	Reported SAR1g (W/kg)
Bottom Ant.								
	LTE Band 7/1RB#99 20M	Right Cheek	20850	22.24	23.30	1.276	0.312	0.398
	LTE Band 7/1RB#99 20M	Right Tilt	20850	22.24	23.30	1.276	0.304	0.388
	LTE Band 7/1RB#99 20M	Left Cheek	20850	22.24	23.30	1.276	0.163	0.208
	LTE Band 7/1RB#99 20M	Left Tilt	20850	22.24	23.30	1.276	0.168	0.214
Battery type 2 at the worst case								
	LTE Band 7/1RB#99 20M	Right Cheek	20850	17.02	17.30	1.067	0.487	0.52
Battery type 3 at the worst case								
	LTE Band 7/1RB#99 20M	Right Cheek	20850	17.02	17.30	1.067	0.449	0.479
Top Ant.								
	LTE Band 38/1RB#0 20M	Right Cheek	38000	20.73	21.80	1.279	0.515	0.663
10#	LTE Band 38/1RB#0 20M	Right Tilt	38000	20.73	21.80	1.279	0.566	0.728
	LTE Band 38/1RB#0 20M	Left Cheek	38000	20.73	21.80	1.279	0.339	0.436
	LTE Band 38/1RB#0 20M	Left Tilt	38000	20.73	21.80	1.279	0.362	0.466
Battery type 2 at the worst case								
	LTE Band 38/50RB#50 20M	Right Cheek	38000	19.57	20.80	1.327	0.413	0.552
	LTE Band 38/50RB#50 20M	Right Tilt	38000	19.57	20.80	1.327	0.442	0.590
	LTE Band 38/50RB#50 20M	Left Cheek	38000	19.57	20.80	1.327	0.332	0.443
	LTE Band 38/50RB#50 20M	Left Tilt	38000	19.57	20.80	1.327	0.370	0.494
Bottom Ant.								
	LTE Band 38/1RB#0 20M	Right Cheek	38000	22.67	23.80	1.297	0.174	0.227
	LTE Band 38/1RB#0 20M	Right Tilt	38000	22.67	23.80	1.297	0.167	0.218
	LTE Band 38/1RB#0 20M	Left Cheek	38000	22.67	23.80	1.297	0.079	0.103
	LTE Band 38/1RB#0 20M	Left Tilt	38000	22.67	23.80	1.297	0.061	0.080
Battery type 2 at the worst case								
	LTE Band 38/50RB#50 20M	Right Cheek	38000	21.51	22.80	1.346	0.136	0.184
	LTE Band 38/50RB#50 20M	Right Tilt	38000	21.51	22.80	1.346	0.133	0.180
	LTE Band 38/50RB#50 20M	Left Cheek	38000	21.51	22.80	1.346	0.068	0.092
	LTE Band 38/50RB#50 20M	Left Tilt	38000	21.51	22.80	1.346	0.071	0.096
Battery type 2 at the worst case								



	LTE Band 38/1RB#0 20M	Right Tilt	38000	20.73	21.80	1.279	0.544	0.696
Battery type 3 at the worst case								
	LTE Band 38/1RB#0 20M	Right Tilt	38000	20.73	21.80	1.279	0.547	0.704

Plot No.	Band/Mode	Test Position	CH.	Ave. Power (dBm)	Tune-up Limit (dBm)	Tune-up Scaling Factor	Meas. SAR1g (W/kg)	Reported SAR1g (W/kg)
Top Ant.								
11#	LTE Band 40A/1RB#49 10M	Right Cheek	38750	18.29	18.80	1.125	0.389	0.440
	LTE Band 40A/1RB#49 10M	Right Tilt	38750	18.29	18.80	1.125	0.276	0.312
	LTE Band 40A/1RB#49 10M	Left Cheek	38750	18.29	18.80	1.125	0.291	0.329
	LTE Band 40A/1RB#49 10M	Left Tilt	38750	18.29	18.80	1.125	0.256	0.290
	LTE Band 40A/25RB#0 10M	Right Cheek	38750	17.23	17.80	1.140	0.342	0.392
	LTE Band 40A/25RB#0 10M	Right Tilt	38750	17.23	17.80	1.140	0.324	0.372
	LTE Band 40A/25RB#0 10M	Left Cheek	38750	17.23	17.80	1.140	0.280	0.321
	LTE Band 40A/25RB#0 10M	Left Tilt	38750	17.23	17.80	1.140	0.233	0.267
Bottom Ant.								
	LTE Band 40A/1RB#49 10M	Right Cheek	38750	22.59	23.80	1.321	0.121	0.161
	LTE Band 40A/1RB#49 10M	Right Tilt	38750	22.59	23.80	1.321	0.079	0.105
	LTE Band 40A/1RB#49 10M	Left Cheek	38750	22.59	23.80	1.321	0.035	0.046
	LTE Band 40A/1RB#49 10M	Left Tilt	38750	22.59	23.80	1.321	0.035	0.047
	LTE Band 40A/25RB#0 10M	Right Cheek	38750	21.53	22.80	1.340	0.087	0.117
	LTE Band 40A/25RB#0 10M	Right Tilt	38750	21.53	22.80	1.340	0.054	0.073
	LTE Band 40A/25RB#0 10M	Left Cheek	38750	21.53	22.80	1.340	0.027	0.037
	LTE Band 40A/25RB#0 10M	Left Tilt	38750	21.53	22.80	1.340	0.026	0.035
Battery type 2 at the worst case								
	LTE Band 40A/1RB#49 10M	Right Cheek	38750	18.29	18.80	1.125	0.38	0.428
Battery type 3 at the worst case								
	LTE Band 40A/1RB#49 10M	Right Cheek	38750	18.29	18.80	1.125	0.376	0.425
Top Ant.								
	LTE Band 40B/1RB#49 10M	Right Cheek	39200	18.45	18.80	1.084	0.416	0.454
12#	LTE Band 40B/1RB#49 10M	Right Tilt	39200	18.45	18.80	1.084	0.480	0.523
	LTE Band 40B/1RB#49 10M	Left Cheek	39200	18.45	18.80	1.084	0.236	0.257
	LTE Band 40B/1RB#49 10M	Left Tilt	39200	18.45	18.80	1.084	0.269	0.293
	LTE Band 40B/25RB#25 10M	Right Cheek	39200	17.44	17.80	1.086	0.316	0.345



	LTE Band 40B/25RB#25 10M	Right Tilt	39200	17.44	17.80	1.086	0.332	0.363
	LTE Band 40B/25RB#25 10M	Left Cheek	39200	17.44	17.80	1.086	0.222	0.243
	LTE Band 40B/25RB#25 10M	Left Tilt	39200	17.44	17.80	1.086	0.259	0.283

Plot No.	Band/Mode	Test Position	CH.	Ave. Power (dBm)	Tune-up Limit (dBm)	Tune-up Scaling Factor	Meas. SAR1g (W/kg)	Reported SAR1g (W/kg)
Bottom Ant.								
	LTE Band 40B/1RB#49 10M	Right Cheek	39200	22.69	23.80	1.291	0.124	0.161
	LTE Band 40B/1RB#49 10M	Right Tilt	39200	22.69	23.80	1.291	0.076	0.099
	LTE Band 40B/1RB#49 10M	Left Cheek	39200	22.69	23.80	1.291	0.065	0.084
	LTE Band 40B/1RB#49 10M	Left Tilt	39200	22.69	23.80	1.291	0.040	0.052
	LTE Band 40B/25RB#25 10M	Right Cheek	39200	21.68	22.80	1.294	0.108	0.141
	LTE Band 40B/25RB#25 10M	Right Tilt	39200	21.68	22.80	1.294	0.054	0.070
	LTE Band 40B/25RB#25 10M	Left Cheek	39200	21.68	22.80	1.294	0.048	0.062
	LTE Band 40B/25RB#25 10M	Left Tilt	39200	21.68	22.80	1.294	0.031	0.040
Battery type 2 at the worst case								
	LTE Band 40B/1RB#49 10M	Right Tilt	39200	18.45	18.80	1.084	0.436	0.473
Battery type 3 at the worst case								
	LTE Band 40B/1RB#49 10M	Right Tilt	39200	18.45	18.80	1.084	0.401	0.437
Top Ant.								
	LTE Band 41/1RB#99 20M	Right Cheek	40140	19.96	20.80	1.213	0.428	0.522
13#	LTE Band 41/1RB#99 20M	Right Tilt	40140	19.96	20.80	1.213	0.455	0.555
	LTE Band 41/1RB#99 20M	Left Cheek	40140	19.96	20.80	1.213	0.265	0.323
	LTE Band 41/1RB#99 20M	Left Tilt	40140	19.96	20.80	1.213	0.298	0.364
	LTE Band 41/50RB#24 20M	Right Cheek	40140	19.03	19.80	1.194	0.342	0.411
	LTE Band 41/50RB#24 20M	Right Tilt	40140	19.03	19.80	1.194	0.355	0.426
	LTE Band 41/50RB#24 20M	Left Cheek	40140	19.03	19.80	1.194	0.286	0.344
	LTE Band 41/50RB#24 20M	Left Tilt	40140	19.03	19.80	1.194	0.308	0.370
Top Ant.								
	LTE Band 41/1RB#99 20M	Right Cheek	40140	22.58	23.80	1.324	0.152	0.203
	LTE Band 41/1RB#99 20M	Right Tilt	40140	22.58	23.80	1.324	0.149	0.199
	LTE Band 41/1RB#99 20M	Left Cheek	40140	22.58	23.80	1.324	0.079	0.105
	LTE Band 41/1RB#99 20M	Left Tilt	40140	22.58	23.80	1.324	0.064	0.085
	LTE Band 41/50RB#24 20M	Right Cheek	40140	21.65	22.80	1.303	0.126	0.165



	LTE Band 41/50RB#24 20M	Right Tilt	40140	21.65	22.80	1.303	0.119	0.156
	LTE Band 41/50RB#24 20M	Left Cheek	40140	21.65	22.80	1.303	0.059	0.077
	LTE Band 41/50RB#24 20M	Left Tilt	40140	21.65	22.80	1.303	0.055	0.072
Battery type 2 at the worst case								
	LTE Band 41/1RB#99 20M	Right Tilt	40140	19.96	20.80	1.213	0.441	0.538
Battery type 3 at the worst case								
	LTE Band 41/1RB#99 20M	Right Tilt	40140	19.96	20.80	1.213	0.432	0.527

➤ **WLAN Head SAR**

Plot No.	Band/Mode	Test Position	CH.	Ave. Power (dBm)	Tune-up Limit (dBm)	Tune-up Scaling Factor	Meas. SAR1g (W/kg)	Reported SAR1g (W/kg)
	WLAN2.4GHz/802.11b	Right Cheek	1	18.14	20.00	1.535	0.340	0.522
	WLAN2.4GHz/802.11b	Right Tilt	1	18.14	20.00	1.535	0.307	0.471
14#	WLAN2.4GHz/802.11b	Left Cheek	1	18.14	20.00	1.535	0.601	0.922
	WLAN2.4GHz/802.11b	Left Tilt	1	18.14	20.00	1.535	0.457	0.701
	WLAN2.4GHz/802.11b	Left Cheek	6	18.04	20.00	1.570	0.519	0.815
	WLAN2.4GHz/802.11b	Left Cheek	11	17.78	19.50	1.486	0.447	0.664
Battery type 2 at the worst case								
	WLAN2.4GHz/802.11b	Left Cheek	1	18.14	20.00	1.535	0.587	0.901
Battery type 3 at the worst case								
	WLAN2.4GHz/802.11b	Left Cheek	1	18.14	20.00	1.535	0.593	0.910
	WLAN5.2GHz/802.11a	Right Cheek	48	5240	15.62	17.50	0.407	0.638
	WLAN5.2GHz/802.11a	Right Tilt	48	5240	15.62	17.50	0.386	0.605
15#	WLAN5.2GHz/802.11a	Left Cheek	48	5240	15.62	17.50	0.535	0.839
	WLAN5.2GHz/802.11a	Left Tilt	48	5240	15.62	17.50	0.444	0.696
	WLAN5.2GHz/802.11a	Left Cheek	36	5180	13.65	14.50	0.542	0.670
	WLAN5.2GHz/802.11a	Left Cheek	40	5200	13.65	14.00	0.521	0.574
	WLAN5.3GHz/802.11a	Right Cheek	64	15.50	17.50	1.585	0.412	0.664
	WLAN5.3GHz/802.11a	Right Tilt	64	15.50	17.50	1.585	0.376	0.606
16#	WLAN5.3GHz/802.11a	Left Cheek	64	15.50	17.50	1.585	0.542	0.874
	WLAN5.3GHz/802.11a	Left Tilt	64	15.50	17.50	1.585	0.491	0.791
	WLAN5.3GHz/802.11a	Left Cheek	52	14.90	16.50	1.445	0.503	0.739
	WLAN5.3GHz/802.11a	Left Cheek	60	15.25	17.00	1.496	0.523	0.796
	WLAN5.5GHz/802.11a	Right Cheek	120	15.38	17.00	1.452	0.442	0.653



	WLAN5.5GHz/802.11a	Right Tilt	120	15.38	17.00	1.452	0.512	0.756
	WLAN5.5GHz/802.11a	Left Cheek	120	15.38	17.00	1.452	0.581	0.858
	WLAN5.5GHz/802.11a	Left Tilt	120	15.38	17.00	1.452	0.617	0.911
	WLAN5.5GHz/802.11a	Left Cheek	100	15.36	17.00	1.459	0.501	0.743
	WLAN5.5GHz/802.11a	Left Cheek	144	15.02	17.00	1.578	0.512	0.821
	WLAN5.5GHz/802.11a	Left Tilt	100	15.36	17.00	1.459	0.596	0.884
17#	WLAN5.5GHz/802.11a	Left Tilt	144	15.02	17.00	1.578	0.603	0.967
Battery type 2 at the worst case								
	WLAN5.8GHz/802.11a	Right Cheek	149	16.84	18.50	1.466	0.336	0.501
	WLAN5.8GHz/802.11a	Right Tilt	149	16.84	18.50	1.466	0.423	0.630
	WLAN5.8GHz/802.11a	Left Cheek	149	16.84	18.50	1.466	0.476	0.709
18#	WLAN5.8GHz/802.11a	Left Tilt	149	16.84	18.50	1.466	0.547	0.815
	WLAN5.8GHz/802.11a	Left Tilt	157	16.25	18.00	1.496	0.521	0.793
	WLAN5.8GHz/802.11a	Left Tilt	165	16.27	18.00	1.489	0.536	0.812
Battery type 3 at the worst case								
	WLAN5.5GHz/802.11a	Left Tilt	144	15.02	17.00	1.578	0.586	0.940
	WLAN5.5GHz/802.11a	Left Tilt	144	15.02	17.00	1.578	0.549	0.881

Note:

1. Per KDB 447498 D01v06, for each exposure position, if the highest output power channel Reported SAR $\leq 0.8W/kg$, other channels SAR testing is not necessary.
2. Per KDB 865664 D01v01r04, for each frequency band, repeated SAR measurement is required when the measured SAR is $\geq 0.8W/kg$.
3. Per KDB 941225 D05v02r05, 100% RB allocation SAR measurement is not required when the highest reported SAR for 1 RB and 50% RB allocation are $\leq 0.8 W/kg$.
4. Per KDB 248227 D01v02r02, for 802.11b DSSS , when the reported SAR of the highest measured maximum output power channel for the exposure configuration is $\leq 0.8 W/kg$, no further SAR testing is required in that exposure configuration.
5. Per KDB 248227 D01v02r02, OFDM SAR is not required when the highest reported SAR for DSSS is adjusted by the ratio of OFDM to DSSS specified maximum output power and the adjusted SAR is $\leq 1.2 W/kg$.
6. According to KDB 865664 D02v01r02, SAR plot is required for the highest measured SAR in each exposure configuration, wireless mode and frequency band combination.
7. The WLAN Reported 1g SAR (W/kg) has been calculated together with the duty cycle scaling factor 1.00 for 2.4G WLAN and 1.017 for 5G WLAN.



17.3. Body-worn SAR Data

➤ **GSM Body-worn SAR**

Plot No.	Band/Mode	Test Position	CH.	Ave. Power (dBm)	Tune-up Limit (dBm)	Tune-up Scaling Factor	Meas. SAR1g (W/kg)	Reported SAR1g (W/kg)
Top Ant.								
	GPRS 850/4 TX slots	Front Side	251	30.80	31.30	1.122	0.056	0.063
	GPRS 850/4 TX slots	Back Side	251	30.80	31.30	1.122	0.104	0.117
Bottom Ant.								
	GPRS 850/4 TX slots	Front Side	251	30.80	31.30	1.122	0.497	0.558
	GPRS 850/4 TX slots	Back Side	251	30.80	31.30	1.122	0.768	0.862
	GPRS 850/4 TX slots	Back Side	128	30.40	31.30	1.230	0.577	0.710
19#	GPRS 850/4 TX slots	Back Side	189	30.54	31.30	1.191	0.758	0.903
Battery type 2 at the worst case								
	GPRS 850/4 TX slots	Back Side	189	30.54	31.30	1.191	0.739	0.88
Battery type 3 at the worst case								
	GPRS 850/4 TX slots	Back Side	189	30.54	31.30	1.191	0.747	0.890
Top Ant.								
	GPRS 1900/4 TX slots	Front Side	512	26.79	27.30	1.125	0.222	0.250
20#	GPRS 1900/4 TX slots	Back Side	512	26.79	27.30	1.125	0.431	0.485
Bottom Ant.								
	GPRS 1900/4 TX slots	Front Side	512	26.12	26.30	1.042	0.162	0.169
	GPRS 1900/4 TX slots	Back Side	512	26.12	26.30	1.042	0.308	0.321
Battery type 2 at the worst case								
	GPRS 1900/4 TX slots	Back Side	512	26.79	27.30	1.125	0.423	0.476
Battery type 3 at the worst case								
	GPRS 1900/4 TX slots	Back Side	512	26.79	27.30	1.125	0.419	0.471



➤ **WCDMA Body-worn SAR**

Plot No.	Band/Mode	Test Position	CH.	Ave. Power (dBm)	Tune-up Limit (dBm)	Tune-up Scaling Factor	Meas. SAR1g (W/kg)	Reported SAR1g (W/kg)
Top Ant.								
	Band II/RMC	Front Side	9538	19.97	20.80	1.211	0.304	0.368
21#	Band II/RMC	Back Side	9538	19.97	20.80	1.211	0.576	0.697
Bottom Ant.								
	Band II/RMC	Front Side	9538	20.57	21.80	1.327	0.132	0.175
	Band II/RMC	Back Side	9538	20.57	21.80	1.327	0.268	0.356
Battery type 2 at the worst case								
	Band II/RMC	Back Side	9538	19.97	20.80	1.211	0.548	0.664
Battery type 3 at the worst case								
	Band II/RMC	Back Side	9538	19.97	20.80	1.211	0.558	0.676

Plot No.	Band/Mode	Test Position	CH.	Ave. Power (dBm)	Tune-up Limit (dBm)	Tune-up Scaling Factor	Meas. SAR1g (W/kg)	Reported SAR1g (W/kg)
Top Ant.								
	Band IV/RMC	Front Side	1513	20.86	21.80	1.242	0.124	0.154
	Band IV/RMC	Back Side	1513	20.86	21.80	1.242	0.241	0.299
Bottom Ant.								
	Band IV/RMC	Front Side	1513	20.40	21.80	1.380	0.307	0.424
22#	Band IV/RMC	Back Side	1513	20.40	21.80	1.380	0.564	0.779
Battery type 2 at the worst case								
	Band IV/RMC	Back Side	1513	20.40	21.80	1.380	0.553	0.763
Battery type 3 at the worst case								
	Band IV/RMC	Back Side	1513	20.40	21.80	1.380	0.547	0.755
Top Ant.								
	Band V/RMC	Front Side	4132	23.17	24.10	1.239	0.057	0.071
	Band V/RMC	Back Side	4132	23.17	24.10	1.239	0.094	0.116
Bottom Ant.								
	Band V/RMC	Front Side	4132	23.17	24.10	1.239	0.091	0.113
23#	Band V/RMC	Back Side	4132	23.17	24.10	1.239	0.137	0.170
Battery type 2 at the worst case								
	Band V/RMC	Back Side	4132	23.17	24.10	1.239	0.128	0.159
Battery type 3 at the worst case								
	Band V/RMC	Back Side	4132	23.17	24.10	1.239	0.131	0.162



➤ **LTE QPSK Body-worn SAR**

Plot No.	Band/Mode	Test Position	CH.	Ave. Power (dBm)	Tune-up Limit (dBm)	Tune-up Scaling Factor	Meas. SAR1g (W/kg)	Reported SAR1g (W/kg)
Top Ant.								
	LTE Band 2/1RB#49 20M	Front Side	18700	21.16	21.80	1.159	0.454	0.526
	LTE Band 2/1RB#49 20M	Back Side	18700	21.16	21.80	1.159	0.465	0.539
Bottom Ant.								
	LTE Band 2/50RB#0 20M	Front Side	18700	20.15	20.80	1.161	0.257	0.298
	LTE Band 2/50RB#0 20M	Back Side	18700	20.15	20.80	1.161	0.461	0.535
Battery type 2 at the worst case								
	LTE Band 2/1RB#49 20M	Front Side	18700	21.01	21.80	1.199	0.168	0.202
24#	LTE Band 2/1RB#49 20M	Back Side	18700	21.01	21.80	1.199	0.470	0.564
Battery type 3 at the worst case								
	LTE Band 2/50RB#0 20M	Front Side	18700	20.00	20.80	1.202	0.172	0.207
	LTE Band 2/50RB#0 20M	Back Side	18700	20.00	20.80	1.202	0.381	0.458
Battery type 2 at the worst case								
	LTE Band 2/1RB#49 20M	Back Side	18700	21.01	21.80	1.199	0.458	0.549
Battery type 3 at the worst case								
	LTE Band 2/1RB#49 20M	Back Side	18700	21.01	21.80	1.199	0.436	0.523

Plot No.	Band/Mode	Test Position	CH.	Ave. Power (dBm)	Tune-up Limit (dBm)	Tune-up Scaling Factor	Meas. SAR1g (W/kg)	Reported SAR1g (W/kg)
Top Ant.								
	LTE Band 4/1RB#99 20M	Front Side	20175	22.78	23.80	1.265	0.239	0.302
	LTE Band 4/1RB#99 20M	Back Side	20175	22.78	23.80	1.265	0.366	0.463
Bottom Ant.								
	LTE Band 4/50RB#50 20M	Front Side	20175	21.56	22.80	1.330	0.130	0.173
	LTE Band 4/50RB#50 20M	Back Side	20175	21.56	22.80	1.330	0.260	0.346
Battery type 2 at the worst case								
	LTE Band 4/1RB#99 20M	Front Side	20175	20.68	21.80	1.294	0.198	0.256
	LTE Band 4/1RB#99 20M	Back Side	20175	20.68	21.80	1.294	0.362	0.468
Battery type 2 at the worst case								
	LTE Band 4/50RB#50 20M	Front Side	20175	19.46	20.80	1.361	0.192	0.261
25#	LTE Band 4/50RB#50 20M	Back Side	20175	19.46	20.80	1.361	0.363	0.494
Battery type 2 at the worst case								
	LTE Band 4/50RB#50 20M	Back Side	20175	19.46	20.80	1.361	0.358	0.487



Battery type 3 at the worst case								
	LTE Band 4/50RB#50 20M	Back Side	20175	19.46	20.80	1.361	0.349	0.475
Top Ant.								
	LTE Band 5/1RB#49 10M	Front Side	20450	23.45	24.10	1.161	0.074	0.086
	LTE Band 5/1RB#49 10M	Back Side	20450	23.45	24.10	1.161	0.109	0.127
	LTE Band 5/25RB#25 10M	Front Side	20450	22.13	23.10	1.250	0.045	0.057
	LTE Band 5/25RB#25 10M	Back Side	20450	22.13	23.10	1.250	0.081	0.102
Bottom Ant.								
	LTE Band 5/1RB#49 10M	Front Side	20450	23.45	24.10	1.161	0.102	0.118
26#	LTE Band 5/1RB#49 10M	Back Side	20450	23.45	24.10	1.161	0.194	0.225
	LTE Band 5/25RB#25 10M	Front Side	20450	22.13	23.10	1.250	0.097	0.121
	LTE Band 5/25RB#25 10M	Back Side	20450	22.13	23.10	1.250	0.129	0.161
Battery type 2 at the worst case								
	LTE Band 5/1RB#49 10M	Back Side	20450	23.45	24.10	1.161	0.189	0.219
Battery type 3 at the worst case								
	LTE Band 5/1RB#49 10M	Back Side	20450	23.45	24.10	1.161	0.187	0.217



Plot No.	Band/Mode	Test Position	CH.	Ave. Power (dBm)	Tune-up Limit (dBm)	Tune-up Scaling Factor	Meas. SAR1g (W/kg)	Reported SAR1g (W/kg)
Top Ant.								
	LTE Band 7/1RB#99 20M	Front Side	20850	19.86	20.30	1.107	0.326	0.361
	LTE Band 7/1RB#99 20M	Back Side	20850	19.86	20.30	1.107	0.651	0.720
	LTE Band 7/50RB#24 20M	Front Side	20850	18.70	19.30	1.148	0.333	0.382
27#	LTE Band 7/50RB#24 20M	Back Side	20850	18.70	19.30	1.148	0.699	0.803
	LTE Band 7/50RB#24 20M	Back Side	21100	18.68	19.30	1.153	0.627	0.723
	LTE Band 7/50RB#24 20M	Back Side	21350	18.56	19.30	1.186	0.562	0.666
	LTE Band 7/100RB#0 20M	Back Side	20850	18.62	19.30	1.169	0.510	0.596
Bottom Ant.								
	LTE Band 7/1RB#99 20M	Front Side	20850	22.24	23.30	1.276	0.325	0.415
	LTE Band 7/1RB#99 20M	Back Side	20850	22.24	23.30	1.276	0.450	0.574
	LTE Band 7/50RB#24 20M	Front Side	20850	21.08	22.30	1.324	0.184	0.244
	LTE Band 7/50RB#24 20M	Back Side	20850	21.08	22.30	1.324	0.331	0.438
Battery type 2 at the worst case								
	LTE Band 7/50RB#24 20M	Back Side	20850	18.70	19.30	1.148	0.681	0.782
Battery type 3 at the worst case								
	LTE Band 7/50RB#24 20M	Back Side	20850	18.70	19.30	1.148	0.693	0.796
Top Ant.								
	LTE Band 38/1RB#0 20M	Front Side	38000	21.66	22.80	1.300	0.197	0.256
	LTE Band 38/1RB#0 20M	Back Side	38000	21.66	22.80	1.300	0.356	0.463
	LTE Band 38/50RB#50 20M	Front Side	38000	20.50	21.80	1.349	0.200	0.270
28#	LTE Band 38/50RB#50 20M	Back Side	38000	20.50	21.80	1.349	0.390	0.526
Bottom Ant.								
	LTE Band 38/1RB#0 20M	Front Side	38000	22.67	23.80	1.297	0.146	0.191
	LTE Band 38/1RB#0 20M	Back Side	38000	22.67	23.80	1.297	0.209	0.273
	LTE Band 38/50RB#50 20M	Front Side	38000	21.51	22.80	1.346	0.086	0.116
	LTE Band 38/50RB#50 20M	Back Side	38000	21.51	22.80	1.346	0.180	0.244
Battery type 2 at the worst case								
	LTE Band 38/50RB#50 20M	Back Side	38000	20.50	21.80	1.349	0.367	0.495
Battery type 3 at the worst case								
	LTE Band 38/50RB#50 20M	Back Side	38000	20.50	21.80	1.349	0.381	0.514



Plot No.	Band/Mode	Test Position	CH.	Ave. Power (dBm)	Tune-up Limit (dBm)	Tune-up Scaling Factor	Meas. SAR1g (W/kg)	Reported SAR1g (W/kg)
Top Ant.								
	LTE Band 40A/1RB#49 10M	Front Side	38750	21.16	21.80	1.159	0.180	0.210
29#	LTE Band 40A/1RB#49 10M	Back Side	38750	21.16	21.80	1.159	0.542	0.632
	LTE Band 40A/25RB#0 10M	Front Side	38750	20.10	20.80	1.175	0.225	0.266
	LTE Band 40A/25RB#0 10M	Back Side	38750	20.10	20.80	1.175	0.502	0.593
Bottom Ant.								
	LTE Band 40A/1RB#49 10M	Front Side	38750	22.59	23.80	1.321	0.086	0.115
	LTE Band 40A/1RB#49 10M	Back Side	38750	22.59	23.80	1.321	0.092	0.123
	LTE Band 40A/25RB#0 10M	Front Side	38750	21.53	22.80	1.340	0.056	0.076
	LTE Band 40A/25RB#0 10M	Back Side	38750	21.53	22.80	1.340	0.077	0.104
Battery type 2 at the worst case								
	LTE Band 40A/1RB#49 10M	Back Side	38750	21.16	21.80	1.159	0.537	0.622
Battery type 3 at the worst case								
	LTE Band 40A/1RB#49 10M	Back Side	38750	21.16	21.80	1.159	0.528	0.616
Top Ant.								
	LTE Band 40B/1RB#49 10M	Front Side	39200	21.31	21.80	1.119	0.216	0.243
30#	LTE Band 40B/1RB#49 10M	Back Side	39200	21.31	21.80	1.119	0.556	0.626
	LTE Band 40B/25RB#25 10M	Front Side	39200	20.30	20.80	1.122	0.251	0.283
	LTE Band 40B/25RB#25 10M	Back Side	39200	20.30	20.80	1.122	0.499	0.563
Bottom Ant.								
	LTE Band 40B/1RB#49 10M	Front Side	39200	22.69	23.80	1.291	0.118	0.153
	LTE Band 40B/1RB#49 10M	Back Side	39200	22.69	23.80	1.291	0.155	0.201
	LTE Band 40B/25RB#25 10M	Front Side	39200	21.68	22.80	1.294	0.078	0.101
	LTE Band 40B/25RB#25 10M	Back Side	39200	21.68	22.80	1.294	0.113	0.147
Battery type 2 at the worst case								
	LTE Band 40B/1RB#49 10M	Back Side	39200	21.31	21.80	1.119	0.543	0.608
Battery type 3 at the worst case								
	LTE Band 40B/1RB#49 10M	Back Side	39200	21.31	21.80	1.119	0.538	0.606



Plot No.	Band/Mode	Test Position	CH.	Ave. Power (dBm)	Tune-up Limit (dBm)	Tune-up Scaling Factor	Meas. SAR1g (W/kg)	Reported SAR1g (W/kg)
Top Ant.								
	LTE Band 41/1RB#99 20M	Front Side	40140	21.61	22.80	1.315	0.175	0.232
	LTE Band 41/1RB#99 20M	Back Side	40140	21.61	22.80	1.315	0.326	0.431
Bottom Ant.								
	LTE Band 41/50RB#24 20M	Front Side	40140	20.68	21.80	1.294	0.184	0.240
31#	LTE Band 41/50RB#24 20M	Back Side	40140	20.68	21.80	1.294	0.345	0.449
Battery type 2 at the worst case								
	LTE Band 41/50RB#24 20M	Back Side	40140	20.68	21.80	1.294	0.338	0.44
Battery type 3 at the worst case								
	LTE Band 41/50RB#24 20M	Back Side	40140	20.68	21.80	1.294	0.329	0.428

Note: The LTE Band 38/40A/40B/41 Reported 1g SAR (W/kg) has been calculated together with the duty cycle scaling factor 1.006.

➤ **WLAN Body-worn SAR**

Plot No.	Band/Mode	Test Position	CH.	Ave. Power (dBm)	Tune-up Limit (dBm)	Tune-up Scaling Factor	Meas. SAR1g (W/kg)	Reported SAR1g (W/kg)
	WLAN2.4GHz/802.11b	Front Side	1	18.14	20.00	1.535	0.093	0.142
32#	WLAN2.4GHz/802.11b	Back Side	1	18.14	20.00	1.535	0.179	0.275
Battery type 2 at the worst case								
	WLAN2.4GHz/802.11b	Back Side	1	18.14	20.00	1.535	0.165	0.253
Battery type 3 at the worst case								
	WLAN2.4GHz/802.11b	Back Side	1	18.14	20.00	1.535	0.171	0.262
	WLAN5.2GHz/802.11a	Front Side	48	5240	15.62	17.50	0.127	0.199
33#	WLAN5.2GHz/802.11a	Back Side	48	5240	15.62	17.50	0.234	0.367
	WLAN5.3GHz/802.11a	Front Side	64	15.50	17.50	1.585	0.088	0.142
34#	WLAN5.3GHz/802.11a	Back Side	64	15.50	17.50	1.585	0.226	0.364
	WLAN5.5GHz/802.11a	Front Side	120	15.38	17.00	1.452	0.108	0.159
35#	WLAN5.5GHz/802.11a	Back Side	120	15.38	17.00	1.452	0.297	0.439
	WLAN5.8GHz/802.11a	Front Side	149	16.84	18.50	1.466	0.098	0.146
36#	WLAN5.8GHz/802.11a	Back Side	149	16.84	18.50	1.466	0.186	0.277
Battery type 2 at the worst case								
	WLAN5.5GHz/802.11a	Back Side	120	15.38	17.00	1.452	0.288	0.425
Battery type 3 at the worst case								
	WLAN5.5GHz/802.11a	Back Side	120	15.38	17.00	1.452	0.269	0.397

Note: The WLAN Reported 1g SAR (W/kg) has been calculated together with the duty cycle scaling factor 1.00 for 2.4G WLAN and 1.017 for 5G WLAN.



17.4. Hotspot SAR Data

➤ GSM Hotspot SAR

Plot No.	Band/Mode	Test Position	CH.	Ave. Power (dBm)	Tune-up Limit (dBm)	Tune-up Scaling Factor	Meas. SAR1g (W/kg)	Reported SAR1g (W/kg)
Top Ant.								
	GPRS 850/4 TX slots	Front Side	251	30.80	31.30	1.122	0.056	0.063
	GPRS 850/4 TX slots	Back Side	251	30.80	31.30	1.122	0.104	0.117
	GPRS 850/4 TX slots	Left Side	251	30.80	31.30	1.122	0.046	0.051
	GPRS 850/4 TX slots	Top Side	251	30.80	31.30	1.122	0.072	0.081
Bottom Ant.								
	GPRS 850/4 TX slots	Front Side	251	30.80	31.30	1.122	0.497	0.558
	GPRS 850/4 TX slots	Back Side	251	30.80	31.30	1.122	0.768	0.862
	GPRS 850/4 TX slots	Left Side	251	30.80	31.30	1.122	0.116	0.130
	GPRS 850/4 TX slots	Right Side	251	30.80	31.30	1.122	0.092	0.103
	GPRS 850/4 TX slots	Bottom Side	251	30.80	31.30	1.122	0.253	0.284
	GPRS 850/4 TX slots	Back Side	128	30.40	31.30	1.230	0.577	0.710
37#	GPRS 850/4 TX slots	Back Side	189	30.54	31.30	1.191	0.758	0.903
Battery type 2 at the worst case								
	GPRS 850/4 TX slots	Back Side	189	30.54	31.30	1.191	0.739	0.88
Battery type 3 at the worst case								
	GPRS 850/4 TX slots	Back Side	189	30.54	31.30	1.191	0.747	0.890
Top Ant.								
	GPRS 1900/4 TX slots	Front Side	512	26.79	27.30	1.125	0.222	0.250
	GPRS 1900/4 TX slots	Back Side	512	26.79	27.30	1.125	0.431	0.485
	GPRS 1900/4 TX slots	Left Side	512	26.79	27.30	1.125	0.157	0.177
	GPRS 1900/4 TX slots	Top Side	512	26.79	27.30	1.125	0.362	0.407
Bottom Ant.								
	GPRS 1900/4 TX slots	Front Side	512	26.12	26.30	1.042	0.162	0.169
	GPRS 1900/4 TX slots	Back Side	512	26.12	26.30	1.042	0.308	0.321
	GPRS 1900/4 TX slots	Left Side	512	26.12	26.30	1.042	0.053	0.055
	GPRS 1900/4 TX slots	Right Side	512	26.12	26.30	1.042	0.030	0.031
38#	GPRS 1900/4 TX slots	Bottom Side	512	26.12	26.30	1.042	0.487	0.508
Battery type 2 at the worst case								
	GPRS 1900/4 TX slots	Bottom Side	512	26.12	26.30	1.042	0.479	0.499
Battery type 3 at the worst case								
	GPRS 1900/4 TX slots	Bottom Side	512	26.12	26.30	1.042	0.481	0.501



➤ **WCDMA Hotspot SAR**

Plot No.	Band/Mode	Test Position	CH.	Ave. Power (dBm)	Tune-up Limit (dBm)	Tune-up Scaling Factor	Meas. SAR1g (W/kg)	Reported SAR1g (W/kg)
Top Ant.								
	Band II/RMC	Front Side	9538	19.97	20.80	1.211	0.304	0.368
	Band II/RMC	Back Side	9538	19.97	20.80	1.211	0.576	0.697
	Band II/RMC	Left Side	9538	19.97	20.80	1.211	0.139	0.168
	Band II/RMC	Top Side	9538	19.97	20.80	1.211	0.133	0.161
Bottom Ant.								
	Band II/RMC	Front Side	9538	20.57	21.80	1.327	0.132	0.175
	Band II/RMC	Back Side	9538	20.57	21.80	1.327	0.268	0.356
	Band II/RMC	Left Side	9538	20.57	21.80	1.327	0.067	0.089
	Band II/RMC	Right Side	9538	20.57	21.80	1.327	0.043	0.057
39#	Band II/RMC	Bottom Side	9538	20.57	21.80	1.327	0.539	0.715
Battery type 2 at the worst case								
	Band II/RMC	Bottom Side	9538	20.57	21.80	1.327	0.531	0.705
Battery type 3 at the worst case								
	Band II/RMC	Bottom Side	9538	20.57	21.80	1.327	0.512	0.680
Top Ant.								
	Band IV/RMC	Front Side	1513	20.86	21.80	1.242	0.124	0.154
	Band IV/RMC	Back Side	1513	20.86	21.80	1.242	0.241	0.299
	Band IV/RMC	Left Side	1513	20.86	21.80	1.242	0.088	0.109
	Band IV/RMC	Top Side	1513	20.86	21.80	1.242	0.213	0.264
Bottom Ant.								
	Band IV/RMC	Front Side	1513	20.40	21.80	1.380	0.307	0.424
	Band IV/RMC	Back Side	1513	20.40	21.80	1.380	0.564	0.779
	Band IV/RMC	Left Side	1513	20.40	21.80	1.380	0.137	0.189
	Band IV/RMC	Right Side	1513	20.40	21.80	1.380	0.090	0.124
40#	Band IV/RMC	Bottom Side	1513	20.40	21.80	1.380	0.792	1.093
	Band IV/RMC	Bottom Side	1312	20.36	21.80	1.393	0.682	0.950
	Band IV/RMC	Bottom Side	1413	20.35	21.80	1.396	0.724	1.011
Battery type 2 at the worst case								
	Band IV/RMC	Bottom Side	1513	20.40	21.80	1.380	0.779	1.075
Battery type 3 at the worst case								
	Band IV/RMC	Bottom Side	1513	20.40	21.80	1.380	0.777	1.073



Plot No.	Band/Mode	Test Position	CH.	Ave. Power (dBm)	Tune-up Limit (dBm)	Tune-up Scaling Factor	Meas. SAR1g (W/kg)	Reported SAR1g (W/kg)
Top Ant.								
	Band V/RMC	Front Side	4132	23.17	24.10	1.239	0.057	0.071
	Band V/RMC	Back Side	4132	23.17	24.10	1.239	0.094	0.116
	Band V/RMC	Left Side	4132	23.17	24.10	1.239	0.053	0.065
	Band V/RMC	Top Side	4132	23.17	24.10	1.239	0.062	0.076
Bottom Ant.								
	Band V/RMC	Front Side	4132	23.17	24.10	1.239	0.091	0.113
41#	Band V/RMC	Back Side	4132	23.17	24.10	1.239	0.137	0.170
	Band V/RMC	Left Side	4132	23.17	24.10	1.239	0.066	0.082
	Band V/RMC	Right Side	4132	23.17	24.10	1.239	0.058	0.072
	Band V/RMC	Bottom Side	4132	23.17	24.10	1.239	0.100	0.124
Battery type 2 at the worst case								
	Band V/RMC	Back Side	4132	23.17	24.10	1.239	0.128	0.159
Battery type 3 at the worst case								
	Band V/RMC	Back Side	4132	23.17	24.10	1.239	0.131	0.162

➤ **LTE QPSK Hotspot SAR**

Plot No.	Band/Mode	Test Position	CH.	Ave. Power (dBm)	Tune-up Limit (dBm)	Tune-up Scaling Factor	Meas. SAR1g (W/kg)	Reported SAR1g (W/kg)
Top Ant.								
	LTE Band 2/1RB#49 20M	Front Side	18700	21.16	21.80	1.159	0.454	0.526
	LTE Band 2/1RB#49 20M	Back Side	18700	21.16	21.80	1.159	0.465	0.539
	LTE Band 2/1RB#49 20M	Left Side	18700	21.16	21.80	1.159	0.147	0.170
	LTE Band 2/1RB#49 20M	Top Side	18700	21.16	21.80	1.159	0.434	0.503
Bottom Ant.								
	LTE Band 2/50RB#0 20M	Front Side	18700	20.15	20.80	1.161	0.257	0.298
	LTE Band 2/50RB#0 20M	Back Side	18700	20.15	20.80	1.161	0.461	0.535
	LTE Band 2/50RB#0 20M	Left Side	18700	20.15	20.80	1.161	0.151	0.175
	LTE Band 2/50RB#0 20M	Top Side	18700	20.15	20.80	1.161	0.351	0.408
Bottom Ant.								
	LTE Band 2/1RB#49 20M	Front Side	18700	21.01	21.80	1.199	0.168	0.202
	LTE Band 2/1RB#49 20M	Back Side	18700	21.01	21.80	1.199	0.470	0.564
	LTE Band 2/1RB#49 20M	Left Side	18700	21.01	21.80	1.199	0.131	0.157
	LTE Band 2/1RB#49 20M	Right Side	18700	21.01	21.80	1.199	0.058	0.070
42#	LTE Band 2/1RB#49 20M	Bottom Side	18700	21.01	21.80	1.199	0.657	0.788



Plot No.	Band/Mode	Test Position	CH.	Ave. Power (dBm)	Tune-up Limit (dBm)	Tune-up Scaling Factor	Meas. SAR1g (W/kg)	Reported SAR1g (W/kg)
	LTE Band 2/50RB#0 20M	Front Side	18700	20.00	20.80	1.202	0.172	0.207
	LTE Band 2/50RB#0 20M	Back Side	18700	20.00	20.80	1.202	0.381	0.458
	LTE Band 2/50RB#0 20M	Left Side	18700	20.00	20.80	1.202	0.107	0.129
	LTE Band 2/50RB#0 20M	Right Side	18700	20.00	20.80	1.202	0.068	0.082
	LTE Band 2/50RB#0 20M	Bottom Side	18700	20.00	20.80	1.202	0.581	0.699
Battery type 2 at the worst case								
	LTE Band 2/1RB#49 20M	Bottom Side	18700	21.01	21.80	1.199	0.649	0.778
Battery type 2 at the worst case								
	LTE Band 2/1RB#49 20M	Bottom Side	18700	21.01	21.80	1.199	0.648	0.777
Top Ant.								
	LTE Band 4/1RB#99 20M	Front Side	20175	22.78	23.80	1.265	0.239	0.302
	LTE Band 4/1RB#99 20M	Back Side	20175	22.78	23.80	1.265	0.366	0.463
	LTE Band 4/1RB#99 20M	Left Side	20175	22.78	23.80	1.265	0.046	0.058
	LTE Band 4/1RB#99 20M	Top Side	20175	22.78	23.80	1.265	0.304	0.384
	LTE Band 4/50RB#50 20M	Front Side	20175	21.56	22.80	1.330	0.130	0.173
	LTE Band 4/50RB#50 20M	Back Side	20175	21.56	22.80	1.330	0.260	0.346
	LTE Band 4/50RB#50 20M	Left Side	20175	21.56	22.80	1.330	0.035	0.047
	LTE Band 4/50RB#50 20M	Top Side	20175	21.56	22.80	1.330	0.228	0.303
Bottom Ant.								
	LTE Band 4/1RB#99 20M	Front Side	20175	20.68	21.80	1.294	0.198	0.256
	LTE Band 4/1RB#99 20M	Back Side	20175	20.68	21.80	1.294	0.362	0.468
	LTE Band 4/1RB#99 20M	Left Side	20175	20.68	21.80	1.294	0.079	0.102
	LTE Band 4/1RB#99 20M	Right Side	20175	20.68	21.80	1.294	0.154	0.199
43#	LTE Band 4/1RB#99 20M	Bottom Side	20175	20.68	21.80	1.294	0.571	0.739
	LTE Band 4/50RB#50 20M	Front Side	20175	19.46	20.80	1.361	0.192	0.261
	LTE Band 4/50RB#50 20M	Back Side	20175	19.46	20.80	1.361	0.363	0.494
	LTE Band 4/50RB#50 20M	Left Side	20175	19.46	20.80	1.361	0.086	0.118
	LTE Band 4/50RB#50 20M	Right Side	20175	19.46	20.80	1.361	0.119	0.162
	LTE Band 4/50RB#50 20M	Bottom Side	20175	19.46	20.80	1.361	0.483	0.658
Battery type 2 at the worst case								
	LTE Band 4/1RB#99 20M	Bottom Side	20175	20.68	21.80	1.294	0.563	0.729
Battery type 3 at the worst case								
	LTE Band 4/1RB#99 20M	Bottom Side	20175	20.68	21.80	1.294	0.569	0.736



Plot No.	Band/Mode	Test Position	CH.	Ave. Power (dBm)	Tune-up Limit (dBm)	Tune-up Scaling Factor	Meas. SAR1g (W/kg)	Reported SAR1g (W/kg)
Top Ant.								
	LTE Band 5/1RB#49 10M	Front Side	20450	23.45	24.10	1.161	0.074	0.086
	LTE Band 5/1RB#49 10M	Back Side	20450	23.45	24.10	1.161	0.109	0.127
	LTE Band 5/1RB#49 10M	Left Side	20450	23.45	24.10	1.161	0.055	0.063
	LTE Band 5/1RB#49 10M	Top Side	20450	23.45	24.10	1.161	0.090	0.104
Bottom Ant.								
	LTE Band 5/25RB#25 10M	Front Side	20450	22.13	23.10	1.250	0.045	0.057
	LTE Band 5/25RB#25 10M	Back Side	20450	22.13	23.10	1.250	0.081	0.102
	LTE Band 5/25RB#25 10M	Left Side	20450	22.13	23.10	1.250	0.039	0.049
	LTE Band 5/25RB#25 10M	Top Side	20450	22.13	23.10	1.250	0.066	0.083
Battery type 2 at the worst case								
44#	LTE Band 5/25RB#25 10M	Front Side	20450	23.45	24.10	1.161	0.102	0.118
	LTE Band 5/25RB#25 10M	Back Side	20450	23.45	24.10	1.161	0.194	0.225
	LTE Band 5/25RB#25 10M	Left Side	20450	23.45	24.10	1.161	0.068	0.078
	LTE Band 5/25RB#25 10M	Right Side	20450	23.45	24.10	1.161	0.114	0.132
	LTE Band 5/25RB#25 10M	Bottom Side	20450	23.45	24.10	1.161	0.103	0.120
Battery type 3 at the worst case								
	LTE Band 5/25RB#25 10M	Front Side	20450	22.13	23.10	1.250	0.097	0.121
	LTE Band 5/25RB#25 10M	Back Side	20450	22.13	23.10	1.250	0.129	0.161
	LTE Band 5/25RB#25 10M	Left Side	20450	22.13	23.10	1.250	0.051	0.064
	LTE Band 5/25RB#25 10M	Right Side	20450	22.13	23.10	1.250	0.082	0.103
	LTE Band 5/25RB#25 10M	Bottom Side	20450	22.13	23.10	1.250	0.080	0.099
Battery type 2 at the worst case								
	LTE Band 5/1RB#49 10M	Back Side	20450	23.45	24.10	1.161	0.189	0.219
Battery type 3 at the worst case								
	LTE Band 5/1RB#49 10M	Back Side	20450	23.45	24.10	1.161	0.187	0.217



Plot No.	Band/Mode	Test Position	CH.	Ave. Power (dBm)	Tune-up Limit (dBm)	Tune-up Scaling Factor	Meas. SAR1g (W/kg)	Reported SAR1g (W/kg)
Top Ant.								
	LTE Band 7/1RB#99 20M	Front Side	20850	19.86	20.30	1.107	0.326	0.361
	LTE Band 7/1RB#99 20M	Back Side	20850	19.86	20.30	1.107	0.651	0.720
	LTE Band 7/1RB#99 20M	Left Side	20850	19.86	20.30	1.107	0.063	0.070
	LTE Band 7/1RB#99 20M	Top Side	20850	19.86	20.30	1.107	0.728	0.806
	LTE Band 7/1RB#99 20M	Top Side	21100	19.37	20.30	1.239	0.661	0.819
	LTE Band 7/1RB#99 20M	Top Side	21350	19.46	20.30	1.213	0.528	0.641
Bottom Ant.								
	LTE Band 7/50RB#24 20M	Front Side	20850	18.70	19.30	1.148	0.333	0.382
	LTE Band 7/50RB#24 20M	Back Side	20850	18.70	19.30	1.148	0.699	0.803
	LTE Band 7/50RB#24 20M	Left Side	20850	18.70	19.30	1.148	0.063	0.072
45#	LTE Band 7/50RB#24 20M	Top Side	20850	18.70	19.30	1.148	0.784	0.900
	LTE Band 7/50RB#24 20M	Back Side	21100	18.68	19.30	1.153	0.627	0.723
	LTE Band 7/50RB#24 20M	Back Side	21350	18.56	19.30	1.186	0.562	0.666
	LTE Band 7/50RB#24 20M	Top Side	21100	18.68	19.30	1.153	0.718	0.828
	LTE Band 7/50RB#24 20M	Top Side	21350	18.56	19.30	1.186	0.598	0.709
	LTE Band 7/100RB#0 20M	Top Side	20850	18.62	19.30	1.169	0.524	0.613
Battery type 2 at the worst case								
	LTE Band 7/50RB#24 20M	Top Side	20850	18.70	19.30	1.148	0.784	0.871
Battery type 3 at the worst case								
	LTE Band 7/50RB#24 20M	Top Side	20850	18.70	19.30	1.148	0.778	0.893



Plot No.	Band/Mode	Test Position	CH.	Ave. Power (dBm)	Tune-up Limit (dBm)	Tune-up Scaling Factor	Meas. SAR1g (W/kg)	Reported SAR1g (W/kg)
Top Ant.								
	LTE Band 38/1RB#0 20M	Front Side	38000	21.66	22.80	1.300	0.197	0.256
	LTE Band 38/1RB#0 20M	Back Side	38000	21.66	22.80	1.300	0.356	0.463
	LTE Band 38/1RB#0 20M	Left Side	38000	21.66	22.80	1.300	0.038	0.049
	LTE Band 38/1RB#0 20M	Top Side	38000	21.66	22.80	1.300	0.374	0.486
Bottom Ant.								
	LTE Band 38/50RB#50 20M	Front Side	38000	20.50	21.80	1.349	0.200	0.270
46#	LTE Band 38/50RB#50 20M	Back Side	38000	20.50	21.80	1.349	0.390	0.526
	LTE Band 38/50RB#50 20M	Left Side	38000	20.50	21.80	1.349	0.041	0.055
	LTE Band 38/50RB#50 20M	Top Side	38000	20.50	21.80	1.349	0.380	0.513
Battery type 2 at the worst case								
	LTE Band 38/50RB#50 20M	Back Side	38000	20.50	21.80	1.349	0.367	0.495
Battery type 3 at the worst case								
	LTE Band 38/50RB#50 20M	Back Side	38000	20.50	21.80	1.349	0.381	0.514
Top Ant.								
	LTE Band 40A/1RB#49 10M	Front Side	38750	21.16	21.80	1.159	0.180	0.210
47#	LTE Band 40A/1RB#49 10M	Back Side	38750	21.16	21.80	1.159	0.542	0.632
	LTE Band 40A/1RB#49 10M	Left Side	38750	21.16	21.80	1.159	0.053	0.062
	LTE Band 40A/1RB#49 10M	Top Side	38750	21.16	21.80	1.159	0.511	0.596
Bottom Ant.								
	LTE Band 40A/25RB#0 10M	Front Side	38750	20.10	20.80	1.175	0.225	0.266
	LTE Band 40A/25RB#0 10M	Back Side	38750	20.10	20.80	1.175	0.502	0.593
	LTE Band 40A/25RB#0 10M	Left Side	38750	20.10	20.80	1.175	0.053	0.063
	LTE Band 40A/25RB#0 10M	Top Side	38750	20.10	20.80	1.175	0.506	0.598



Plot No.	Band/Mode	Test Position	CH.	Ave. Power (dBm)	Tune-up Limit (dBm)	Tune-up Scaling Factor	Meas. SAR1g (W/kg)	Reported SAR1g (W/kg)
Bottom Ant.								
	LTE Band 40A/1RB#49 10M	Front Side	38750	22.59	23.80	1.321	0.086	0.115
	LTE Band 40A/1RB#49 10M	Back Side	38750	22.59	23.80	1.321	0.092	0.123
	LTE Band 40A/1RB#49 10M	Left Side	38750	22.59	23.80	1.321	0.077	0.102
	LTE Band 40A/1RB#49 10M	Right Side	38750	22.59	23.80	1.321	0.036	0.048
	LTE Band 40A/1RB#49 10M	Bottom Side	38750	22.59	23.80	1.321	0.145	0.193
	LTE Band 40A/25RB#0 10M	Front Side	38750	21.53	22.80	1.340	0.056	0.076
	LTE Band 40A/25RB#0 10M	Back Side	38750	21.53	22.80	1.340	0.077	0.104
	LTE Band 40A/25RB#0 10M	Left Side	38750	21.53	22.80	1.340	0.060	0.081
	LTE Band 40A/25RB#0 10M	Right Side	38750	21.53	22.80	1.340	0.022	0.030
	LTE Band 40A/25RB#0 10M	Bottom Side	38750	21.53	22.80	1.340	0.109	0.147
Battery type 2 at the worst case								
	LTE Band 40A/1RB#49 10M	Back Side	38750	21.16	21.80	1.159	0.537	0.622
Battery type 3 at the worst case								
	LTE Band 40A/1RB#49 10M	Back Side	38750	21.16	21.80	1.159	0.528	0.616
Top Ant.								
	LTE Band 40B/1RB#49 10M	Front Side	39200	21.31	21.80	1.119	0.216	0.243
	LTE Band 40B/1RB#49 10M	Back Side	39200	21.31	21.80	1.119	0.556	0.626
	LTE Band 40B/1RB#49 10M	Left Side	39200	21.31	21.80	1.119	0.057	0.064
48#	LTE Band 40B/1RB#49 10M	Top Side	39200	21.31	21.80	1.119	0.575	0.648
	LTE Band 40B/25RB#25 10M	Front Side	39200	20.30	20.80	1.122	0.251	0.283
	LTE Band 40B/25RB#25 10M	Back Side	39200	20.30	20.80	1.122	0.499	0.563
	LTE Band 40B/25RB#25 10M	Left Side	39200	20.30	20.80	1.122	0.060	0.067
	LTE Band 40B/25RB#25 10M	Top Side	39200	20.30	20.80	1.122	0.558	0.630
Bottom Ant.								
	LTE Band 40B/1RB#49 10M	Front Side	39200	22.69	23.80	1.291	0.118	0.153
	LTE Band 40B/1RB#49 10M	Back Side	39200	22.69	23.80	1.291	0.155	0.201
	LTE Band 40B/1RB#49 10M	Left Side	39200	22.69	23.80	1.291	0.147	0.191
	LTE Band 40B/1RB#49 10M	Right Side	39200	22.69	23.80	1.291	0.047	0.061
	LTE Band 40B/1RB#49 10M	Bottom Side	39200	22.69	23.80	1.291	0.207	0.269
	LTE Band 40B/25RB#25 10M	Front Side	39200	21.68	22.80	1.294	0.078	0.101
	LTE Band 40B/25RB#25 10M	Back Side	39200	21.68	22.80	1.294	0.113	0.147



	LTE Band 40B/25RB#25 10M	Left Side	39200	21.68	22.80	1.294	0.091	0.119
	LTE Band 40B/25RB#25 10M	Right Side	39200	21.68	22.80	1.294	0.028	0.036
	LTE Band 40B/25RB#25 10M	Bottom Side	39200	21.68	22.80	1.294	0.106	0.138
Battery type 2 at the worst case								
	LTE Band 40B/1RB#49 10M	Back Side	39200	21.31	21.80	1.119	0.543	0.608
Battery type 3 at the worst case								
	LTE Band 40B/1RB#49 10M	Back Side	39200	21.31	21.80	1.119	0.538	0.606

Plot No.	Band/Mode	Test Position	CH.	Ave. Power (dBm)	Tune-up Limit (dBm)	Tune-up Scaling Factor	Meas. SAR1g (W/kg)	Reported SAR1g (W/kg)
Top Ant.								
	LTE Band 41/1RB#99 20M	Front Side	40140	21.61	22.80	1.315	0.175	0.232
	LTE Band 41/1RB#99 20M	Back Side	40140	21.61	22.80	1.315	0.326	0.431
	LTE Band 41/1RB#99 20M	Left Side	40140	21.61	22.80	1.315	0.033	0.044
	LTE Band 41/1RB#99 20M	Top Side	40140	21.61	22.80	1.315	0.358	0.474
	LTE Band 41/50RB#24 20M	Front Side	40140	20.68	21.80	1.294	0.184	0.240
	LTE Band 41/50RB#24 20M	Back Side	40140	20.68	21.80	1.294	0.345	0.449
	LTE Band 41/50RB#24 20M	Left Side	40140	20.68	21.80	1.294	0.038	0.050
49#	LTE Band 41/50RB#24 20M	Top Side	40140	20.68	21.80	1.294	0.365	0.475
Bottom Ant.								
	LTE Band 41/1RB#99 20M	Front Side	40140	22.58	23.80	1.324	0.153	0.204
	LTE Band 41/1RB#99 20M	Back Side	40140	22.58	23.80	1.324	0.208	0.277
	LTE Band 41/1RB#99 20M	Left Side	40140	22.58	23.80	1.324	0.154	0.205
	LTE Band 41/1RB#99 20M	Right Side	40140	22.58	23.80	1.324	0.039	0.052
	LTE Band 41/1RB#99 20M	Bottom Side	40140	22.58	23.80	1.324	0.193	0.257
	LTE Band 41/50RB#24 20M	Front Side	40140	21.65	22.80	1.303	0.094	0.124
	LTE Band 41/50RB#24 20M	Back Side	40140	21.65	22.80	1.303	0.168	0.220
	LTE Band 41/50RB#24 20M	Left Side	40140	21.65	22.80	1.303	0.106	0.139
	LTE Band 41/50RB#24 20M	Right Side	40140	21.65	22.80	1.303	0.024	0.031
	LTE Band 41/50RB#24 20M	Bottom Side	40140	21.65	22.80	1.303	0.164	0.215
Battery type 2 at the worst case								
	LTE Band 41/50RB#24 20M	Back Side	40140	20.68	21.80	1.294	0.338	0.44
Battery type 3 at the worst case								
	LTE Band 41/50RB#24 20M	Back Side	40140	20.68	21.80	1.294	0.329	0.428

Note: The LTE Band 38/40A/40B/41 Reported 1g SAR (W/kg) has been calculated together with the duty cycle scaling factor 1.006.



➤ **WLAN Hotspot SAR**

Plot No.	Band/Mode	Test Position	CH.	Ave. Power (dBm)	Tune-up Limit (dBm)	Tune-up Scaling Factor	Meas. SAR1g (W/kg)	Reported SAR1g (W/kg)
	WLAN2.4GHz/802.11b	Front Side	1	18.14	20.00	1.535	0.093	0.142
50#	WLAN2.4GHz/802.11b	Back Side	1	18.14	20.00	1.535	0.179	0.275
	WLAN2.4GHz/802.11b	Right Side	1	18.14	20.00	1.535	0.122	0.187
	WLAN2.4GHz/802.11b	Top Side	1	18.14	20.00	1.535	0.155	0.238
Battery type 2 at the worst case								
	WLAN2.4GHz/802.11b	Back Side	1	18.14	20.00	1.535	0.165	0.253
Battery type 3 at the worst case								
	WLAN2.4GHz/802.11b	Back Side	1	18.14	20.00	1.535	0.171	0.262
	WLAN5.2GHz/802.11a	Front Side	48	5240	15.62	17.50	0.127	0.199
	WLAN5.2GHz/802.11a	Back Side	48	5240	15.62	17.50	0.234	0.367
	WLAN5.2GHz/802.11a	Right Side	48	5240	15.62	17.50	0.083	0.130
51#	WLAN5.2GHz/802.11a	Top Side	48	5240	15.62	17.50	0.369	0.579
	WLAN5.8GHz/802.11a	Front Side	149	16.84	18.50	1.466	0.098	0.146
	WLAN5.8GHz/802.11a	Back Side	149	16.84	18.50	1.466	0.186	0.277
	WLAN5.8GHz/802.11a	Right Side	149	16.84	18.50	1.466	0.071	0.106
52#	WLAN5.8GHz/802.11a	Top Side	149	16.84	18.50	1.466	0.382	0.569
Battery type 2 at the worst case								
	WLAN5.8GHz/802.11a	Top Side	149	16.84	18.50	1.466	0.366	0.546
Battery type 3 at the worst case								
	WLAN5.8GHz/802.11a	Top Side	149	16.84	18.50	1.466	0.373	0.556

Note:

The WLAN Reported 1g SAR (W/kg) has been calculated together with the duty cycle scaling factor 1.00 for 2.4GHz WLAN, 1.017 for 5GHz WLAN.

17.5. Extremity SAR Assessment

Guidance:

1. According to KDB 648747 D04v01r03 The UMPC mini-tablet procedures must also be applied to test the SAR of all surfaces and edges with an antenna located at ≤ 25 mm from that surface or edge, in direct contact with a flat phantom, for 10-g extremity SAR according to the body-equivalent tissue dielectric parameters in KDB Publication 865664 D01 to address interactive hand use exposure conditions.
2. When hotspot mode applies, 10-g extremity SAR is required only for the surfaces and edges with hotspot mode 1-g reported SAR > 1.2 W/kg.
3. According to the user manual, the EUT diagonal size is greater than 16cm, therefore the 0mm extremity SAR of WLAN 5GHz is required. Only the worst was tested the extremity SAR in this report.
4. Test results as below:

Plot No.	Band/Mode	Test Position	CH.	Ave. Power (dBm)	Tune-up Limit (dBm)	Tune-up Scaling Factor	Meas. SAR _{10g} (W/kg)	Reported SAR _{10g} (W/kg)
OR	WLAN5.3GHz/802.11a	Back Side	64	15.50	17.50	1.585	0.226	0.364
50#	WLAN5.3GHz/802.11a	Back Side	64	15.50	17.50	1.585	0.412	0.664
Battery type 2 at the worst case								
	WLAN5.3GHz/802.11a	Back Side	64	15.50	17.50	1.585	0.409	0.659
Battery type 3 at the worst case								
	WLAN5.3GHz/802.11a	Back Side	64	15.50	17.50	1.585	0.403	0.650
OR	WLAN5.5GHz/802.11a	Back Side	120	15.38	17.00	1.452	0.297	0.439
51#	WLAN5.5GHz/802.11a	Back Side	120	15.38	17.00	1.452	0.500	0.738
Battery type 2 at the worst case								
	WLAN5.5GHz/802.11a	Back Side	120	15.38	17.00	1.452	0.476	0.703
Battery type 3 at the worst case								
	WLAN5.5GHz/802.11a	Back Side	120	15.38	17.00	1.452	0.483	0.713

18. Simultaneous Transmission Evaluation

18.1. Simultaneous Transmission Consideration

No.	Simultaneous Transmission Consideration	Head	Body-Worn	Hotspot
1	WWAN(2G/3G/4G)+WLAN 2.4GHz	Yes	Yes	Yes
2	WWAN(2G/3G/4G)+WLAN 5.3GHz/5.5GHz	Yes	Yes	NO
3	WWAN(2G/3G/4G)+WLAN 5.2GHz/5.8GHz	Yes	Yes	Yes
4	WWAN(2G/3G/4G)+Bluetooth	NO	Yes	NO

Note:

- When the user enables the personal wireless router functions for the handset, actual operations include simultaneous transmission of both the Wi-Fi transmitter and another WWAN transmitter. Both transmitter often do not transmit at the same transmitting frequency and thus cannot be evaluated for SAR under actual use conditions. The "Portable Hotspot" feature on the handset was NOT activated, to ensure the SAR measurements were evaluated for a single transmission frequency RF signal.
- The hotspot SAR result may overlap with the body-worn accessory SAR requirements, per KDB 941225 D06, the more conservative configurations can be considered, thus excluding some unnecessary body-worn accessory SAR tests.
- Simultaneous Transmission SAR evaluation is not required for BT and Wi-Fi , because the software mechanism have been incorporated to guarantee that the WLAN and Bluetooth transmitters would not simultaneously operate.
- Per KDB 447498D01v06, Simultaneous Transmission SAR Evaluation procedures is as followed:

Step 1: If sum of 1 g SAR < 1.6 W/kg, Simultaneous SAR measurement is not required.

Step 2: If sum of 1 g SAR > 1.6 W/kg, ratio of SAR to peak separation distance for pair of transmitters calculated.

Step 3: If the ratio of SAR to peak separation distance is ≤ 0.04 , Simultaneous SAR measurement is not required.

Step 4: If the ratio of SAR to peak separation distance is > 0.04 , Simultaneous SAR measurement is required and simultaneous transmission SAR value is calculated.

(The ratio is determined by: $(SAR1 + SAR2) \wedge 1.5/Ri \leq 0.04$,

Ri is the separation distance between the peak SAR locations for the antenna pair in mm.

18.2. Simultaneous Transmission Analysis

➤ Head Simultaneous Transmission

WWAN Band		Exposure Position	1	2	3	1+2 Summed 1g SAR (W/kg)	1+3 Summed 1g SAR (W/kg)
			WWAN	2.4GHz WLAN	5GHz WLAN		
			1g SAR (W/kg)	1g SAR (W/kg)	1g SAR (W/kg)		
GSM	GSM850	Right Cheek	0.747	0.522	0.664	1.269	1.411
		Right Tilt	0.656	0.471	0.756	1.127	1.412
		Left Cheek	0.227	0.922	0.874	1.149	1.101
		Left Tilt	0.163	0.701	0.967	0.864	1.130
	GSM1900	Right Cheek	0.756	0.522	0.664	1.278	1.420
		Right Tilt	0.658	0.471	0.756	1.129	1.414
		Left Cheek	0.202	0.922	0.874	1.124	1.076
		Left Tilt	0.197	0.701	0.967	0.898	1.164
WCDMA	WCDMA Band II	Right Cheek	0.638	0.522	0.664	1.160	1.302
		Right Tilt	0.534	0.471	0.756	1.005	1.290
		Left Cheek	0.350	0.922	0.874	1.272	1.224
		Left Tilt	0.417	0.701	0.967	1.118	1.384
	WCDMA Band IV	Right Cheek	0.366	0.522	0.664	0.888	1.030
		Right Tilt	0.351	0.471	0.756	0.822	1.107
		Left Cheek	0.317	0.922	0.874	1.239	1.191
		Left Tilt	0.296	0.701	0.967	0.997	1.263
	WCDMA Band V	Right Cheek	0.821	0.522	0.664	1.343	1.485
		Right Tilt	0.465	0.471	0.756	0.936	1.221
		Left Cheek	0.254	0.922	0.874	1.176	1.128
		Left Tilt	0.202	0.701	0.967	0.903	1.169
CDMA LTE	LTE Band 2	Right Cheek	0.778	0.522	0.664	1.300	1.442
		Right Tilt	0.741	0.471	0.756	1.212	1.497
		Left Cheek	0.457	0.922	0.874	1.379	1.331
		Left Tilt	0.507	0.701	0.967	1.208	1.474
	LTE Band 4	Right Cheek	0.790	0.522	0.664	1.312	1.454
		Right Tilt	0.743	0.471	0.756	1.214	1.499
		Left Cheek	0.475	0.922	0.874	1.397	1.349
		Left Tilt	0.516	0.701	0.967	1.217	1.483
	LTE Band 5	Right Cheek	0.473	0.522	0.664	0.995	1.137
		Right Tilt	0.367	0.471	0.756	0.838	1.123



		Left Cheek	0.296	0.922	0.874	1.218	1.170
		Left Tilt	0.195	0.701	0.967	0.896	1.162
	LTE Band 7	Right Cheek	0.531	0.522	0.664	1.053	1.195
		Right Tilt	0.441	0.471	0.756	0.912	1.197
		Left Cheek	0.442	0.922	0.874	1.364	1.316
		Left Tilt	0.396	0.701	0.967	1.097	1.363
	LTE Band 38	Right Cheek	0.663	0.522	0.664	1.185	1.327
		Right Tilt	0.728	0.471	0.756	1.199	1.484
		Left Cheek	0.443	0.922	0.874	1.365	1.317
		Left Tilt	0.494	0.701	0.967	1.195	1.461
	LTE Band 40A	Right Cheek	0.440	0.522	0.664	0.962	1.104
		Right Tilt	0.372	0.471	0.756	0.843	1.128
		Left Cheek	0.329	0.922	0.874	1.251	1.203
		Left Tilt	0.290	0.701	0.967	0.991	1.257
	LTE Band 40B	Right Cheek	0.454	0.522	0.664	0.976	1.118
		Right Tilt	0.523	0.471	0.756	0.994	1.279
		Left Cheek	0.257	0.922	0.874	1.179	1.131
		Left Tilt	0.293	0.701	0.967	0.994	1.260
	LTE Band 41	Right Cheek	0.522	0.522	0.664	1.044	1.186
		Right Tilt	0.555	0.471	0.756	1.026	1.311
Left Cheek		0.344	0.922	0.874	1.266	1.218	
Left Tilt		0.370	0.701	0.967	1.071	1.337	



➤ **Body-worn Simultaneous Transmission**

WWAN Band		Exposure Position	1	2	3	4	1+2	1+3	1+4
			WWAN 1g SAR (W/kg)	2.4GHz WLAN 1g SAR (W/kg)	5GHz WLAN 1g SAR (W/kg)	Bluetooth Estimated 1g SAR (W/kg)	Sum. 1g SAR (W/kg)	Sum. 1g SAR (W/kg)	Sum. 1g SAR (W/kg)
GSM	GSM850	Front	0.558	0.142	0.159	0.234	0.700	0.717	0.792
		Back	0.903	0.275	0.439	0.234	1.178	1.342	1.137
	GSM1900	Front	0.250	0.142	0.159	0.234	0.392	0.409	0.484
		Back	0.485	0.275	0.439	0.234	0.760	0.924	0.719
WCDMA	WCDMA Band II	Front	0.368	0.142	0.159	0.234	0.510	0.527	0.602
		Back	0.697	0.275	0.439	0.234	0.972	1.136	0.931
	WCDMA Band IV	Front	0.424	0.142	0.159	0.234	0.566	0.583	0.658
		Back	0.779	0.275	0.439	0.234	1.054	1.218	1.013
	WCDMA Band V	Front	0.113	0.142	0.159	0.234	0.255	0.272	0.347
		Back	0.170	0.275	0.439	0.234	0.445	0.609	0.404
LTE	LTE Band 2	Front	0.526	0.142	0.159	0.234	0.668	0.685	0.760
		Back	0.564	0.275	0.439	0.234	0.839	1.003	0.798
	LTE Band 4	Front	0.302	0.142	0.159	0.234	0.444	0.461	0.536
		Back	0.494	0.275	0.439	0.234	0.769	0.933	0.728
	LTE Band 5	Front	0.121	0.142	0.159	0.234	0.263	0.280	0.355
		Back	0.225	0.275	0.439	0.234	0.500	0.664	0.459
	LTE Band 7	Front	0.415	0.142	0.159	0.234	0.557	0.574	0.649
		Back	0.803	0.275	0.439	0.234	1.078	1.242	1.037
	LTE Band 38	Front	0.270	0.142	0.159	0.234	0.412	0.429	0.504
		Back	0.526	0.275	0.439	0.234	0.801	0.965	0.760
	LTE Band 40A	Front	0.266	0.142	0.159	0.234	0.408	0.425	0.500
		Back	0.632	0.275	0.439	0.234	0.907	1.071	0.866
	LTE Band 40B	Front	0.283	0.142	0.159	0.234	0.425	0.442	0.517
		Back	0.626	0.275	0.439	0.234	0.901	1.065	0.860
	LTE Band 41	Front	0.240	0.142	0.159	0.234	0.382	0.399	0.474
		Back	0.449	0.275	0.439	0.234	0.724	0.888	0.683

➤ Hotspot Simultaneous Transmission

WWAN Band		Exposure Position	1	2	3	1+2 Sum. 1g SAR (W/kg)	1+3 Sum. 1g SAR (W/kg)
			WWAN 1g SAR (W/kg)	2.4GHz WLAN 1g SAR (W/kg)	5GHz WLAN 1g SAR (W/kg)		
GSM	GSM850	Front	0.558	0.142	0.199	0.700	0.757
		Back	0.903	0.305	0.367	1.208	1.270
		Left	0.130	0.000	0.000	0.130	0.130
		Right	0.103	0.187	0.130	0.290	0.233
		Top	0.081	0.238	0.579	0.319	0.660
		Bottom	0.284	0.000	0.000	0.284	0.284
	GSM1900	Front	0.250	0.142	0.199	0.392	0.449
		Back	0.485	0.305	0.367	0.790	0.852
		Left	0.177	0.000	0.000	0.177	0.177
		Right	0.031	0.187	0.130	0.218	0.161
		Top	0.407	0.238	0.579	0.645	0.986
		Bottom	0.508	0.000	0.000	0.508	0.508
WCDMA	WCDMA Band II	Front	0.368	0.142	0.199	0.510	0.567
		Back	0.697	0.305	0.367	1.002	1.064
		Left	0.168	0.000	0.000	0.168	0.168
		Right	0.057	0.187	0.130	0.244	0.187
		Top	0.161	0.238	0.579	0.399	0.740
		Bottom	0.856	0.000	0.000	0.856	0.856
	WCDMA Band IV	Front	0.424	0.142	0.199	0.566	0.623
		Back	0.779	0.305	0.367	1.084	1.146
		Left	0.189	0.000	0.000	0.189	0.189
		Right	0.124	0.187	0.130	0.311	0.254
		Top	0.264	0.238	0.579	0.502	0.843
		Bottom	1.093	0.000	0.000	1.093	1.093
	WCDMA Band V	Front	0.113	0.142	0.199	0.255	0.312
		Back	0.170	0.305	0.367	0.475	0.537
		Left	0.082	0.000	0.000	0.082	0.082
		Right	0.000	0.187	0.130	0.187	0.130
		Top	0.076	0.238	0.579	0.314	0.655
		Bottom	0.124	0.000	0.000	0.124	0.124
LTE	LTE Band 2	Front	0.526	0.142	0.199	0.668	0.725
		Back	0.564	0.305	0.367	0.869	0.931



		Left	0.175	0.000	0.000	0.175	0.175
		Right	0.082	0.187	0.130	0.269	0.212
		Top	0.503	0.238	0.579	0.741	1.082
		Bottom	0.788	0.000	0.000	0.788	0.788
	LTE Band 4	Front	0.302	0.142	0.199	0.444	0.501
		Back	0.494	0.305	0.367	0.799	0.861
		Left	0.118	0.000	0.000	0.118	0.118
		Right	0.199	0.187	0.130	0.386	0.329
		Top	0.384	0.238	0.579	0.622	0.963
		Bottom	0.780	0.000	0.000	0.780	0.780
	LTE Band 5	Front	0.121	0.142	0.199	0.263	0.320
		Back	0.225	0.305	0.367	0.530	0.592
		Left	0.078	0.000	0.000	0.078	0.078
		Right	0.132	0.187	0.130	0.319	0.262
		Top	0.104	0.238	0.579	0.342	0.683
		Bottom	0.120	0.000	0.000	0.120	0.120
	LTE Band 7	Front	0.415	0.142	0.199	0.557	0.614
		Back	0.803	0.305	0.367	1.108	1.170
		Left	0.379	0.000	0.000	0.379	0.379
		Right	0.102	0.187	0.130	0.289	0.232
		Top	0.900	0.238	0.579	1.138	1.479
		Bottom	0.540	0.000	0.000	0.540	0.540
	LTE Band 38	Front	0.270	0.142	0.199	0.412	0.469
		Back	0.526	0.305	0.367	0.831	0.893
		Left	0.188	0.000	0.000	0.188	0.188
		Right	0.054	0.187	0.130	0.241	0.184
		Top	0.513	0.238	0.579	0.751	1.092
		Bottom	0.241	0.000	0.000	0.241	0.241
LTE Band 40A	Front	0.266	0.142	0.199	0.408	0.465	
	Back	0.632	0.305	0.367	0.937	0.999	
	Left	0.102	0.000	0.000	0.102	0.102	
	Right	0.048	0.187	0.130	0.235	0.178	
	Top	0.598	0.238	0.579	0.836	1.177	
	Bottom	0.193	0.000	0.000	0.193	0.193	
LTE Band 40B	Front	0.283	0.142	0.199	0.425	0.482	
	Back	0.626	0.305	0.367	0.931	0.993	
	Left	0.191	0.000	0.000	0.191	0.191	
	Right	0.061	0.187	0.130	0.248	0.191	



		Top	0.648	0.238	0.579	0.886	1.227
		Bottom	0.269	0.000	0.000	0.269	0.269
	LTE Band 41	Front	0.240	0.142	0.199	0.382	0.439
		Back	0.449	0.305	0.367	0.754	0.816
		Left	0.205	0.000	0.000	0.205	0.205
		Right	0.052	0.187	0.130	0.239	0.182
		Top	0.475	0.238	0.579	0.713	1.054
		Bottom	0.257	0.000	0.000	0.257	0.257

19. Uncertainty Assessment

The component of uncertainty may generally be categorized according to the methods used to evaluate them. The evaluation of uncertainty by the statistical analysis of a series of observations is termed a Type A evaluation of uncertainty. The evaluation of uncertainty by means other than the statistical analysis of a series of observation is termed a Type B evaluation of uncertainty. Each component of uncertainty, however evaluated, is represented by an estimated standard deviation, termed standard uncertainty, which is determined by the positive square root of the estimated variance.

A Type A evaluation of standard uncertainty may be based on any valid statistical method for treating data. This includes calculating the standard deviation of the mean of a series of independent observations; using the method of least squares to fit a curve to the data in order to estimate the parameter of the curve and their standard deviations; or carrying out an analysis of variance in order to identify and quantify random effects in certain kinds of measurement.

A type B evaluation of standard uncertainty is typically based on scientific judgment using all of the relevant information available. These may include previous measurement data, experience, and knowledge of the behavior and properties of relevant materials and instruments, manufacture's specification, data provided in calibration reports and uncertainties assigned to reference data taken from handbooks. Broadly speaking, the uncertainty is either obtained from an outdoor source or obtained from an assumed distribution, such as the normal distribution, rectangular or triangular distributions indicated in table below.

Uncertainty	Normal	Rectangular	Triangular	U-Shape
Multi-plying Factor ^(a)	$1/k^{(b)}$	$1/\sqrt{3}$	$1/\sqrt{6}$	$1/\sqrt{2}$

Standard Uncertainty for Assumed Distribution

- (a) standard uncertainty is determined as the product of the multiplying factor and the estimated range of variations in the measured quantity
- (b) κ is the coverage factor

The combined standard uncertainty of the measurement result represents the estimated standard deviation of the result. It is obtained by combining the individual standard uncertainties of both Type A and Type B evaluation using the usual "root-sum-squares" (RSS) methods of combining standard deviations by taking the positive square root of the estimated variances.

Expanded uncertainty is a measure of uncertainty that defines an interval about the measurement result within which the measured value is confidently believed to lie. It is obtained by multiplying the combined standard uncertainty by a coverage factor. Typically, the coverage factor ranges from 2 to 3. Using a coverage factor allows the true value of a measured quantity to be specified with a defined probability within the specified uncertainty range. For purpose of this document, a coverage factor two is used, which corresponds to confidence interval of about 95 %. The DASY uncertainty Budget is shown in the following



tables.

Error Description	Uncertainty Value (±%)	Probability	Divisor	(Ci) 1g	(Ci) 10g	Standard Uncertainty (1g) (±%)	Standard Uncertainty (10g) (±%)
Measurement System							
Probe Calibration	6.0	N	1	1	1	6.0	6.0
Axial Isotropy	4.7	R	1.732	0.7	0.7	1.9	1.9
Hemispherical Isotropy	9.6	R	1.732	0.7	0.7	3.9	3.9
Boundary Effects	1.0	R	1.732	1	1	0.6	0.6
Linearity	4.7	R	1.732	1	1	2.7	2.7
System Detection Limits	1.0	R	1.732	1	1	0.6	0.6
Modulation Response	3.2	R	1.732	1	1	1.8	1.8
Readout Electronics	0.3	N	1	1	1	0.3	0.3
Response Time	0.0	R	1.732	1	1	0.0	0.0
Integration Time	2.6	R	1.732	1	1	1.5	1.5
RF Ambient Noise	3.0	R	1.732	1	1	1.7	1.7
RF Ambient Reflections	3.0	R	1.732	1	1	1.7	1.7
Probe Positioner	0.4	R	1.732	1	1	0.2	0.2
Probe Positioning	2.9	R	1.732	1	1	1.7	1.7
Max. SAR Eval.	2.0	R	1.732	1	1	1.2	1.2
Test Sample Related							
Device Positioning	3.0	N	1	1	1	3.0	3.0
Device Holder	3.6	N	1	1	1	0.089	0.089
Power Drift	5.0	R	1.732	1	1	2.9	2.9
Power Scaling	0.0	R	1.732	1	1	0.0	0.0
Phantom and Setup							
Phantom Uncertainty	6.1	R	1.732	1	1	3.5	3.5
SAR correction	0.0	R	1.732	1	0.84	0.0	0.0
Liquid Conductivity Repeatability	0.2	N	1	0.78	0.71	0.1	0.1
Liquid Conductivity (target)	5.0	R	1.732	0.78	0.71	2.3	2.0
Liquid Conductivity (mea.)	2.5	R	1.732	0.78	0.71	1.1	1.0
Temp. unc. - Conductivity	3.4	R	1.732	0.78	0.71	1.5	1.4
Liquid Permittivity Repeatability	0.15	N	1	0.23	0.26	0.0	0.0
Liquid Permittivity (target)	5.0	R	1.732	0.23	0.26	0.7	0.8
Liquid Permittivity (mea.)	2.5	R	1.732	0.23	0.26	0.3	0.4
Temp. unc. - Permittivity	0.83	R	1.732	0.23	0.26	0.1	0.1
Combined Std. Uncertainty						11.4%	11.4%
Coverage Factor for 95 %						K=2	K=2
Expanded STD Uncertainty						22.9%	22.7%

Error Description	Uncertainty Value (±%)	Probability	Divisor	(Ci) 1g	(Ci) 10g	Standard Uncertainty (1g) (±%)	Standard Uncertainty (10g) (±%)
Measurement System							
Probe Calibration	6.55	N	1	1	1	6.0	6.0



Axial Isotropy	4.7	R	1.732	0.7	0.7	1.9	1.9
Hemispherical Isotropy	9.6	R	1.732	0.7	0.7	3.9	3.9
Boundary Effects	2.0	R	1.732	1	1	1.2	1.2
Linearity	4.7	R	1.732	1	1	2.7	2.7
System Detection Limits	1.0	R	1.732	1	1	0.6	0.6
Modulation Response	3.2	R	1.732	1	1	1.8	1.8
Readout Electronics	0.3	N	1	1	1	0.3	0.3
Response Time	0.0	R	1.732	1	1	0.0	0.0
Integration Time	2.6	R	1.732	1	1	1.5	1.5
RF Ambient Noise	3.0	R	1.732	1	1	1.7	1.7
RF Ambient Reflections	3.0	R	1.732	1	1	1.7	1.7
Probe Positioner	0.4	R	1.732	1	1	0.2	0.2
Probe Positioning	6.7	R	1.732	1	1	3.9	3.9
Max. SAR Eval.	4.0	R	1.732	1	1	2.3	2.3
Test Sample Related							
Device Positioning	3.0	N	1	1	1	3.0	3.0
Device Holder	3.6	N	1	1	1	0.089	0.089
Power Drift	5.0	R	1.732	1	1	2.9	2.9
Power Scaling	0.0	R	1.732	1	1	0.0	0.0
Phantom and Setup							
Phantom Uncertainty	6.1	R	1.732	1	1	3.8	3.8
SAR correction	0.0	R	1.732	1	0.84	0.0	0.0
Liquid Conductivity Repeatability	0.2	N	1	0.78	0.71	0.1	0.1
Liquid Conductivity (target)	5.0	R	1.732	0.78	0.71	2.3	2.0
Liquid Conductivity (mea.)	2.5	R	1.732	0.78	0.71	1.1	1.0
Temp. unc. - Conductivity	3.4	R	1.732	0.78	0.71	1.5	1.4
Liquid Permittivity Repeatability	0.15	N	1	0.23	0.26	0.0	0.0
Liquid Permittivity (target)	5.0	R	1.732	0.23	0.26	0.7	0.8
Liquid Permittivity (mea.)	2.5	R	1.732	0.23	0.26	0.3	0.4
Temp. unc. - Permittivity	0.83	R	1.732	0.23	0.26	0.1	0.1
Combined Std. Uncertainty						12.5%	12.5%
Coverage Factor for 95 %						K=2	K=2
Expanded STD Uncertainty						25.1 %	25.1%



Annex A General Information

1. Identification of the Responsible Testing Laboratory

Laboratory Name:	Shenzhen Morlab Communications Technology Co., Ltd.Morlab Laboratory
Laboratory Address:	FL.3, Building A, FeiYang Science Park, No.8 LongChang Road, Block 67, BaoAn District, ShenZhen, GuangDong Province, P. R. China
Telephone:	+86 755 36698555
Facsimile:	+86 755 36698525

2. Identification of the Responsible Testing Location

Name:	Shenzhen Morlab Communications Technology Co., Ltd. Morlab Laboratory
Address:	FL.3, Building A, FeiYang Science Park, No.8 LongChang Road, Block 67, BaoAn District, ShenZhen, GuangDong Province, P. R. China

Note:

The main report is end here and the other Annex (B,C,D,E) will be submitted separately.

***** END OF MAIN REPORT *****