



# TEST REPORT

**APPLICANT** : Realme Chongqing Mobile  
Telecommunications Corp., Ltd.

**PRODUCT NAME** : Mobile Phone

**MODEL NAME** : RMX2103

**BRAND NAME** : realme

**FCC ID** : 2AUYFRMX2103

**STANDARD(S)** : 47 CFR Part 15 Subpart E

**RECEIPT DATE** : 2020-07-29

**TEST DATE** : 2020-08-20

**ISSUE DATE** : 2020-08-30

Edited by: Chen Bilian  
Chen Bilian (Rapporteur)

Approved by: Peng Huarui  
Peng Huarui (Supervisor)

**NOTE:** This document is issued by MORLAB, the test report shall not be reproduced except in full without prior written permission of the company. The test results apply only to the particular sample(s) tested and to the specific tests carried out which is available on request for validation and information confirmed at our website.





# DIRECTORY

- 1. Technical Information ..... 3
  - 1.1. Applicant and Manufacturer Information ..... 3
  - 1.2. Equipment Under Test (EUT) Description ..... 3
  - 1.3. Companion Equipment(Master) Description ..... 5
  - 1.4. The Channel Number and Frequency ..... 6
  - 1.5. Test Standards and Results ..... 7
  - 1.6. Environmental Conditions ..... 7
- 2. 47 CFR Part 15E Requirements ..... 8
  - 2.1. Transmit Power Control (TPC) and Dynamic Frequency Selection (DFS) ..... 8
- Annex A Test Uncertainty ..... 25
- Annex B Testing Laboratory Information ..... 26

Change History		
Version	Date	Reason for change
1.0	2020-08-30	First edition



# 1. Technical Information

Note: Provide by applicant.

## 1.1. Applicant and Manufacturer Information

<b>Applicant:</b>	Realme Chongqing Mobile Telecommunications Corp., Ltd.
<b>Applicant Address:</b>	No.178 Yulong Avenue, Yufengshan, Yubei District, Chongqing, China
<b>Manufacturer:</b>	Realme Chongqing Mobile Telecommunications Corp., Ltd.
<b>Manufacturer Address:</b>	No.178 Yulong Avenue, Yufengshan, Yubei District, Chongqing, China

## 1.2. Equipment Under Test (EUT) Description

<b>Product Name:</b>	Mobile Phone	
<b>Serial No.:</b>	(N/A, marked #1 by test site)	
<b>Hardware Version:</b>	11	
<b>Software Version:</b>	realme UI V1.0	
<b>Modulation Type:</b>	OFDM	
<b>Modulation Mode:</b>	802.11a, 802.11n (HT20), 802.11n (HT40) 802.11ac (VHT20), 802.11ac (VHT40), 802.11ac (VHT80),	
<b>Operating Frequency Range:</b>	5180MHz-5240MHz; 5260MHz-5320MHz; 5500MHz-5720MHz; 5745MHz-5825MHz	
<b>Channel Number:</b>	Refer to 1.4	
<b>Antenna Type:</b>	PIFA Antenna	
<b>Antenna Gain:</b>	-3dBi	
<b>Accessory Information:</b>	Battery 1	
	<b>Brand Name:</b>	realme
	<b>Model No.:</b>	BLP803
	<b>Serial No.:</b>	(N/A, marked #1 by test site)
	<b>Capacity:</b>	4890mAh
	<b>Rated Voltage:</b>	3.87V
	<b>Charge Limit:</b>	4.45V
	<b>Manufacturer:</b>	SUNWODA Electronic Co., Ltd.

<b>Accessory Information:</b>	Battery 2	
	Brand Name:	realme
	Model No.:	BLP803
	Serial No.:	(N/A, marked #1 by test site)
	Capacity:	4890mAh
	Rated Voltage:	3.87V
	Charge Limit:	4.45V
	Manufacturer:	Huizhou Desay Battery Co., Ltd.
	Battery 3	
	Brand Name:	realme
	Model No.:	BLP803
	Serial No.:	(N/A, marked #1 by test site)
	Capacity:	4890mAh
	Rated Voltage:	3.87V
	Charge Limit:	4.45V
	Manufacturer:	TWS TECHNOLOGY (GUANGZHOU) LIMITED
	Adaptor 1	
	Brand Name:	realme
	Model No.:	OP92KAUH
	Serial No.:	(N/A, marked #1 by test site)
	Rated Output:	5V $\Rightarrow$ 2A, 9V $\Rightarrow$ 2A
	Rated Input:	100-240V $\sim$ 0.5A 50/60Hz
	Manufacturer:	ShenZhen KunXing Technology Co., Ltd
	Adaptor 2	
Brand Name:	realme	
Model No.:	OP92JAUH	
Serial No.:	(N/A, marked #1 by test site)	
Rated Output:	5V $\Rightarrow$ 2A, 9V $\Rightarrow$ 2A	
Rated Input:	100-240V $\sim$ 0.5A 50/60Hz	
Manufacturer:	Huizhou Golden Lake Industrial Co.,Ltd	

**Note 1:** For a more detailed description, please refer to Specification or User's Manual supplied by the applicant and/or manufacturer.



### 1.3. Companion Equipment(Master) Description

<b>Product Name:</b>	Router
<b>Manufacturer:</b>	Cisco
<b>FCC ID:</b>	LDK102091
<b>Serial No:</b>	FGL1848X9S5
<b>Antenna Gain:</b>	2.1dBi

## 1.4. The Channel Number and Frequency

Frequency Range: 5150MHz-5250MHz				
Bandwidth	Channel	Frequency (MHz)	Channel	Frequency (MHz)
20MHz	36	5180	40	5200
	44	5220	48	5240
40MHz	38	5190	46	5230
80MHz	42	5210		
Frequency Range: 5250MHz-5350MHz				
Bandwidth	Channel	Frequency (MHz)	Channel	Frequency (MHz)
20MHz	<b>52</b>	<b>5260</b>	56	5280
	60	5300	64	5320
40MHz	54	5270	62	5310
80MHz	<b>58</b>	<b>5290</b>		
Frequency Range: 5470MHz-5725MHz				
Bandwidth	Channel	Frequency (MHz)	Channel	Frequency (MHz)
20MHz	<b>100</b>	<b>5500</b>	105	5520
	108	5540	112	5560
	116	5580	120	5600
	124	5620	128	5640
	132	5660	136	5680
	140	5700	144	5720
40MHz	102	5510	110	5550
	118	5590	126	5630
	134	5670	142	5710
80MHz	<b>106</b>	<b>5530</b>	122	5610
	138	5690		
Frequency Range: 5725MHz-5825MHz				
Bandwidth	Channel	Frequency (MHz)	Channel	Frequency (MHz)
20MHz	149	5745	153	5765
	157	5785	161	5805
	165	5825		
40MHz	151	5775	159	5795
80MHz	155	5775		

**Note 1:** The black bold channels were selected for test.



## 1.5. Test Standards and Results

The objective of the report is to perform testing according to 47 CFR Part 15 Subpart E (U-NII band) for the EUT FCC ID Certification:

No.	Identity	Document Title
1	47 CFR Part 15 (5-1-14 Edition)	Radio Frequency Devices

Test detailed items/section required by FCC rules and results are as below:

No.	Section	Description	Test Date	Test Engineer	Result	Method determination /Remark
1	15.407(h)	TPC and DFS	Aug 20, 2020	Ouyang Feng	PASS	No deviation

**Note 1:** The DFS section for U-NII band is applicable to this report; the other test items are documented in a separate report.

**Note 2:** These RF tests were performed according to the method of measurements prescribed in KDB 905462 D02 UNII DFS Compliance Procedures New Rules v02.

**Note 3:** Additions to, deviation, or exclusions from the method shall be judged in the "method determination" column of add, deviate or exclude from the specific method shall be explained in the "Remark" of the above table.

**Note 4:** When the test result is a critical value, we will use the measurement uncertainty give the judgment result based on the 95% risk level.

## 1.6. Environmental Conditions

During the measurement, the environmental conditions were within the listed ranges:

Temperature (°C):	15-35
Relative Humidity (%):	30-60
Atmospheric Pressure (kPa):	86-106



## 2.47 CFR Part 15E Requirements

### 2.1. Transmit Power Control (TPC) and Dynamic Frequency Selection (DFS)

#### 2.1.1. Requirement

According to FCC section 15.407(h), (1) Transmit power control (TPC). U-NII devices operating in the 5.25-5.35 GHz band and the 5.47-5.725 GHz band shall employ a TPC mechanism. The U-NII device is required to have the capability to operate at least 6 dB below the mean EIRP value of 30 dBm. A TPC mechanism is not required for systems with an e.i.r.p. of less than 500 mW. (2) Radar Detection Function of Dynamic Frequency Selection (DFS). U-NII devices operating with any part of its 26 dB emission bandwidth in the 5.25-5.35 GHz and 5.47-5.725 GHz bands shall employ a DFS radar detection mechanism to detect the presence of radar systems and to avoid co-channel operation with radar systems. Operators shall only use equipment with a DFS mechanism that is turned on when operating in these bands. The device must sense for radar signals at 100 percent of its emission bandwidth. The minimum DFS detection threshold for devices with a maximum e.i.r.p. of 200 mW to 1 W is -64 dBm. For devices that operate with less than 200 mW e.i.r.p. and a power spectral density of less than 10 dBm in a 1 MHz band, the minimum detection threshold is -62 dBm. The detection threshold is the received power averaged over 1 microsecond referenced to a 0 dBi antenna. For the initial channel setting, the manufacturers shall be permitted to provide for either random channel selection or manual channel selection.

A U-NII network will employ a DFS function to detect signals from radar systems and to avoid co-channel operation with these systems. This applies to the 5250-5350 MHz and/or 5470-5725 MHz bands.1

Within the context of the operation of the DFS function, a U-NII device will operate in either Master Mode or Client Mode. U-NII devices operating in Client Mode can only operate in a network controlled by a U-NII device operating in Master Mode.2

Tables 1 and 2 shown below summarize the information contained in sections 5.1.1 and 5.1.2.

**Table 1: Applicability of DFS Requirements Prior to Use of a Channel**

Requirement	Operational Mode		
	Master	Client Without Radar Detection	Client With Radar Detection
Non-Occupancy Period	Yes	Not required	Yes
DFS Detection Threshold	Yes	Not required	Yes
Channel Availability Check Time	Yes	Not required	Not required
U-NII Detection Bandwidth	Yes	Not required	Yes



**Table 2: Applicability of DFS requirements during normal operation**

Requirement	Operational Mode	
	Master	Client Without Radar Detection
DFS Detection Threshold	Yes	Not required
Channel Closing Transmission Time	Yes	Yes
Channel Move Time	Yes	Yes
U-NII Detection Bandwidth	Yes	Not required

Additional requirements for devices with multiple bandwidth modes	Master Device or Client with Radar Detection	Client Without Radar Detection
U-NII Detection Bandwidth and Statistical Performance Check	All BW modes must be tested	Not required
Channel Move Time and Channel Closing Transmission Time	Test using widest BW mode available	Test using the widest BW mode available for the link
All other tests	Any single BW mode	Not required
Note: Frequencies selected for statistical performance check (Section 7.8.4) should include several frequencies within the radar detection bandwidth and frequencies near the edge of the radar detection bandwidth. For 802.11 devices it is suggested to select frequencies in each of the bonded 20 MHz channels and the channel center frequency.		

The operational behavior and individual DFS requirements that are associated with these modes are as follows:

#### Master Devices

- a) The Master Device will use DFS in order to detect Radar Waveforms with received signal strength above the DFS Detection Threshold in the 5250 – 5350 MHz and 5470 – 5725 MHz bands. DFS is not required in the 5150 – 5250 MHz or 5725 – 5825 MHz bands.
- b) Before initiating a network on a Channel, the Master Device will perform a Channel Availability Check for specified time duration (Channel Availability Check Time) to ensure that there is no radar system operating on the Channel, using DFS described under subsection a) above.
- c) The Master Device initiates a U-NII network by transmitting control signals that will enable other U-NII devices to Associate with the Master Device.
- d) During normal operation, the Master Device will monitor the Channel (In-Service Monitoring) to ensure that there is no radar system operating on the Channel, using DFS described under a).
- e) If the Master Device has detected a Radar Waveform during In-Service Monitoring as described under d), the Operating Channel of the U-NII network is no longer an Available Channel. The Master Device will instruct all associated Client Device(s) to stop transmitting on this Channel within the Channel Move Time. The transmissions during the Channel Move Time will be limited to the Channel Closing Transmission Time.



f) Once the Master Device has detected a Radar Waveform it will not utilize the Channel for the duration of the Non-Occupancy Period. 3.

g) If the Master Device delegates the In-Service Monitoring to a Client Device, then the combination will be tested to the requirements described under d) through f) above.

Client Devices

a) A Client Device will not transmit before having received appropriate control signals from a Master Device.

b) A Client Device will stop all its transmissions whenever instructed by a Master Device to which it is associated and will meet the Channel Move Time and Channel Closing Transmission Time requirements. The Client Device will not resume any transmissions until it has again received control signals from a Master Device.

c) If a Client Device is performing In-Service Monitoring and detects a Radar Waveform above the DFS Detection Threshold, it will inform the Master Device. This is equivalent to the Master Device detecting the Radar Waveform and d) through f) of section 5.1.1 apply.

d) Irrespective of Client Device or Master Device detection the Channel Move Time and Channel Closing Transmission Time requirements remain the same.

e) The client test frequency must be monitored to ensure no transmission of any type has occurred for 30 minutes. Note: If the client moves with the master, the device is considered compliant if nothing appears in the client non-occupancy period test. For devices that shut down (rather than moving channels), no beacons should appear.

DFS Detection Thresholds

Table 3 below provides the DFS Detection Thresholds for Master Devices as well as Client Devices incorporating In-Service Monitoring.

Table 3: DFS Detection Thresholds for Master Devices and Client Devices with Radar Detection

Maximum Transmit Power	Value (See Notes 1, 2, and 3)
EIRP ≥ 200 mill watt	-64 dBm
EIRP < 200 mill watt and power spectral density < 10 dBm/MHz	-62 dBm
EIRP < 200 mill watt that do not meet the power spectral density requirement	-64 dBm
<p>Note 1: This is the level at the input of the receiver assuming a 0 dBi receive antenna.</p> <p>Note 2: Throughout these test procedures an additional 1 dB has been added to the amplitude of the test transmission waveforms to account for variations in measurement equipment. This will ensure that the test signal is at or above the detection threshold level to trigger a DFS response.</p> <p>Note3: EIRP is based on the highest antenna gain. For MIMO devices refer to KDB Publication 662911 D01.</p>	

Response Requirements

Table 4 provides the response requirements for Master and Client Devices incorporating DFS.

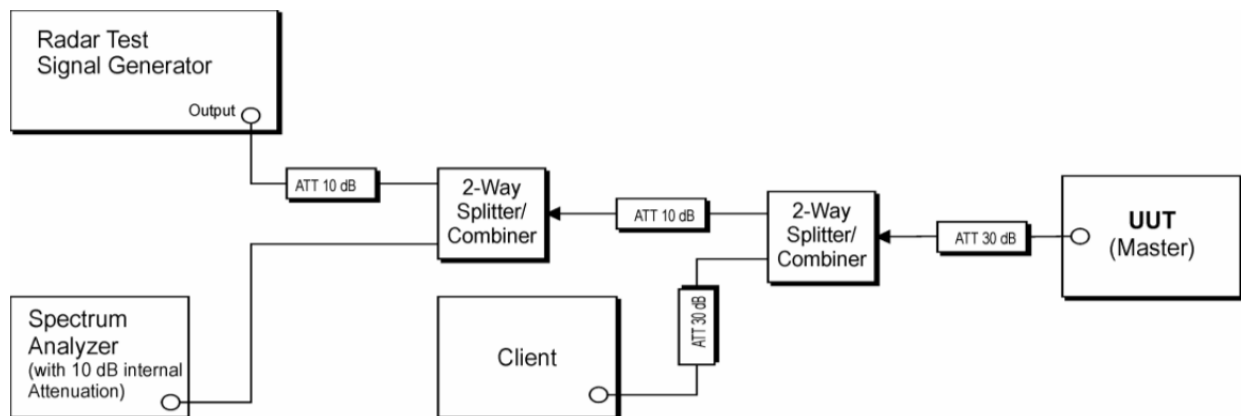
**Table 4: DFS Response Requirement Values**

Parameter	Value
Non-occupancy period	Minimum 30 minutes
Channel Availability Check Time	60 seconds
Channel Move Time	10 seconds See Note 1.
Channel Closing Transmission Time	200 milliseconds + an aggregate of 60 milliseconds over remaining 10 second period. See Notes 1 and 2.
U-NII Detection Bandwidth	Minimum 100% of the U-NII 99% transmission power bandwidth. See Note 3.
<p><b>Note 1:</b> Channel Move Time and the Channel Closing Transmission Time should be performed with Radar Type 0. The measurement timing begins at the end of the Radar Type 0 burst.</p> <p><b>Note 2:</b> The Channel Closing Transmission Time is comprised of 200 milliseconds starting at the beginning of the Channel Move Time plus any additional intermittent control signals required to facilitate a Channel move (an aggregate of 60 milliseconds) during the remainder of the 10 second period. The aggregate duration of control signals will not count quiet periods in between transmissions.</p> <p><b>Note 3:</b> During the U-NII Detection Bandwidth detection test, radar type 0 should be used. For each frequency step the minimum percentage of detection is 90 percent. Measurements are performed with no data traffic.</p>	

**2.1.1. Test Description**

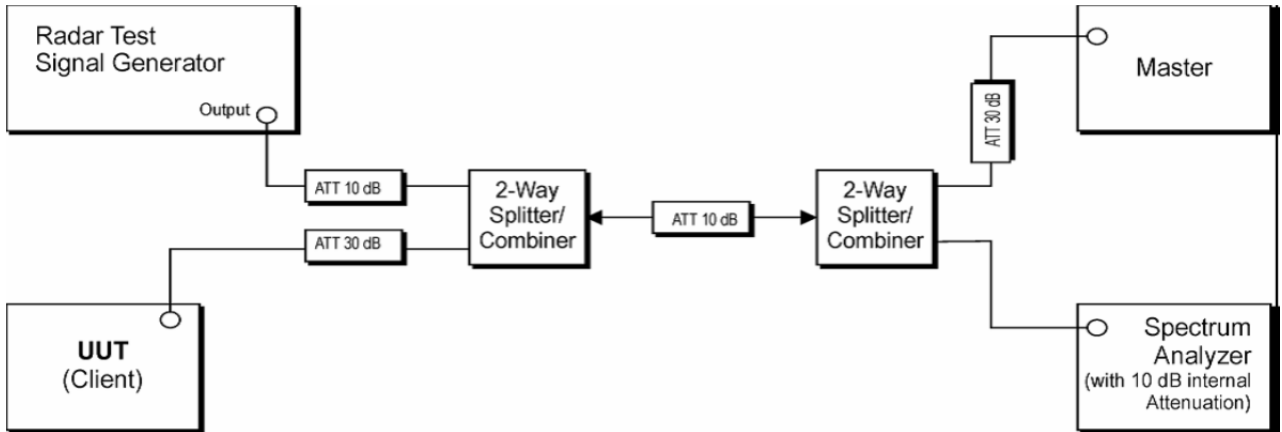
According to Section 7.2 of KDB 905462 D02 V01R01

1. Setup for Master with injection at the Master



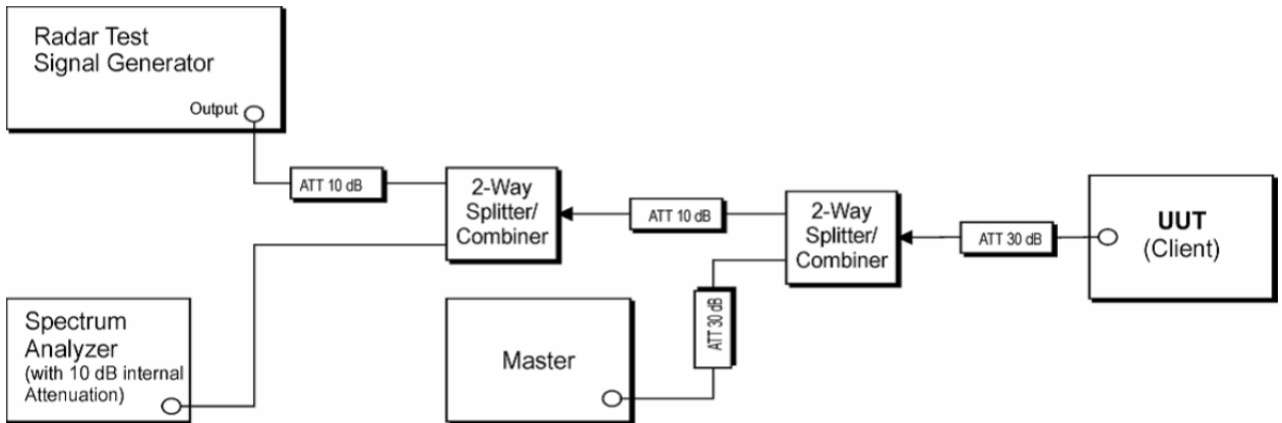
(Example Conducted Setup where UUT is a Master and Radar Test Waveforms are injected into the Master)

2. Setup for Client with injection at the Master



(Example Conducted Setup where UUT is a Client and Radar Test Waveforms are injected into the Master)

3. Setup for Client with injection at the Client



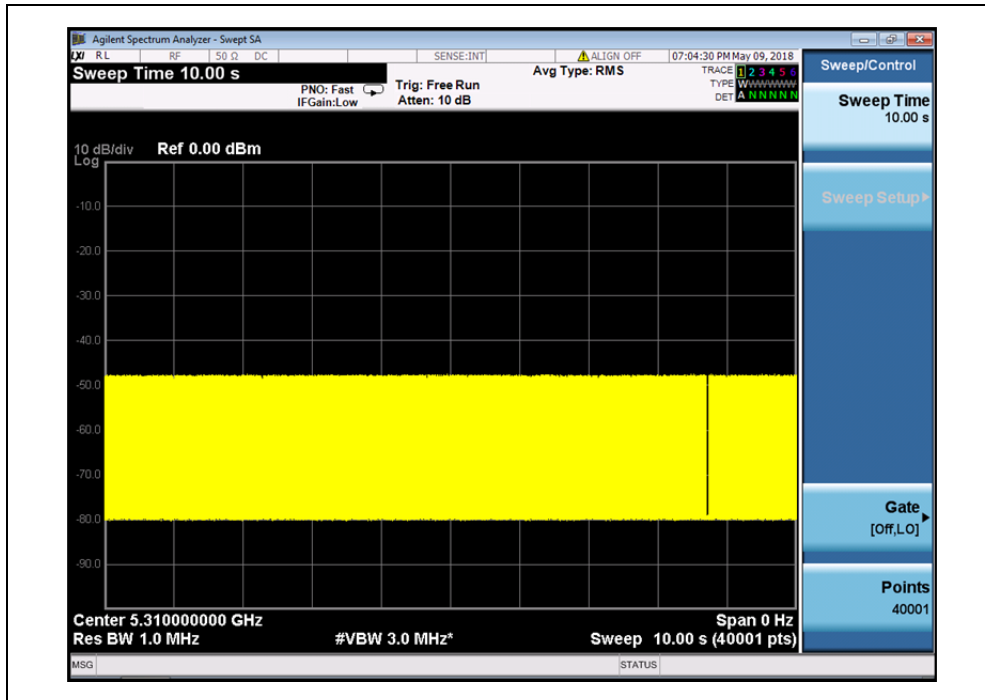
(Example Conducted Setup where UUT is a Client and Radar Test Waveforms are injected into the Client)

2.1.2. Test Result

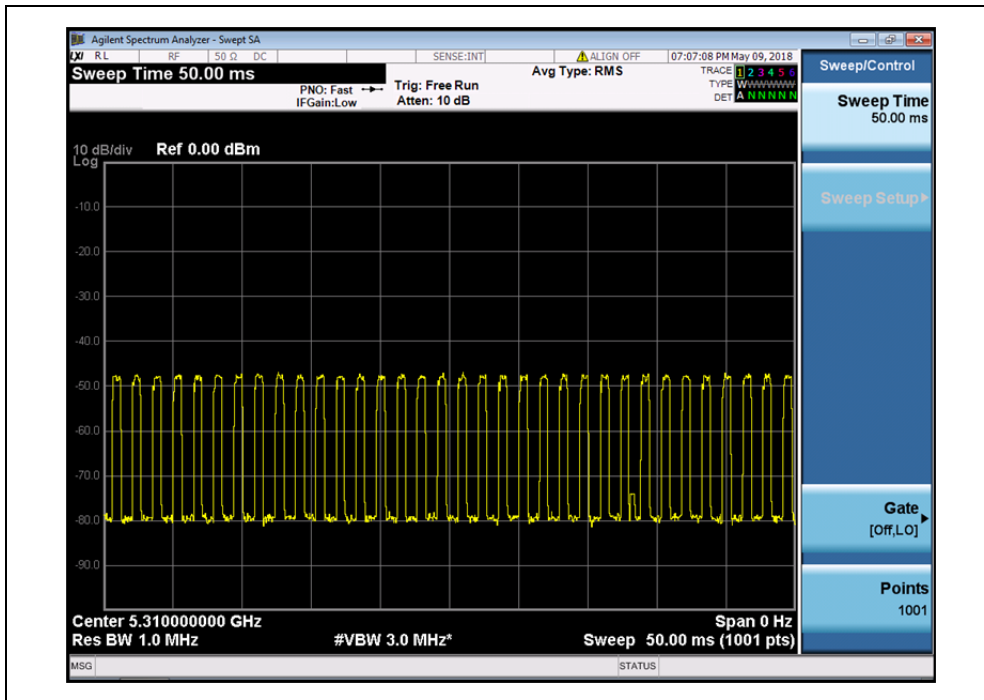
a. Test sequence and Channel loading between Master and Client

Test Channel	Frequency(MHz)	Payload
62	5310	40.13%

Test Plot

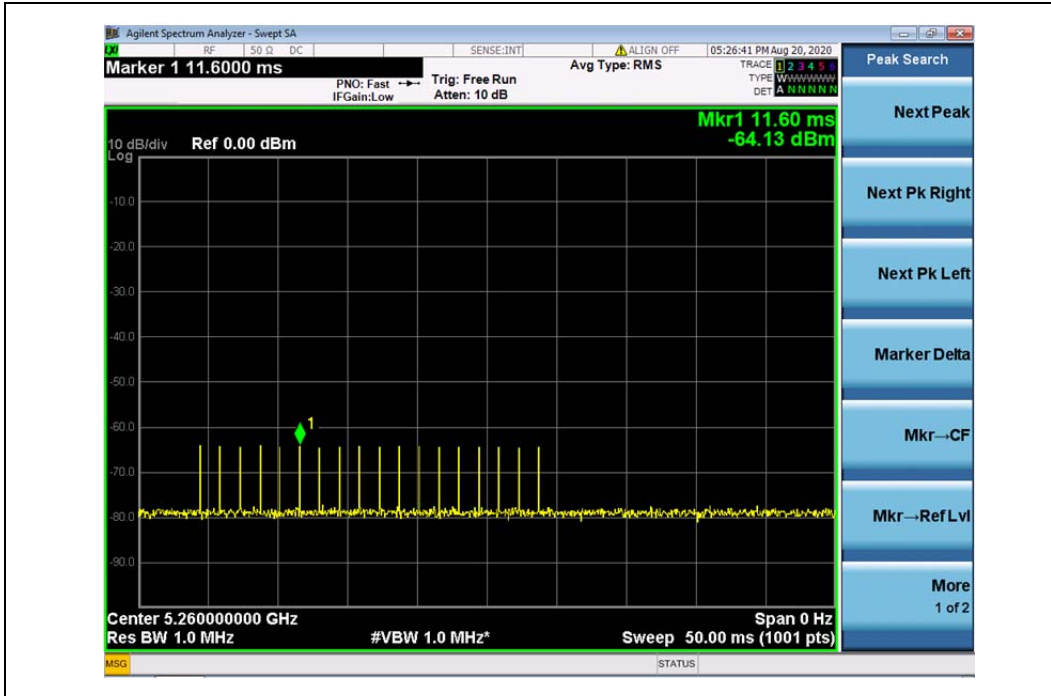


(Test sequence)

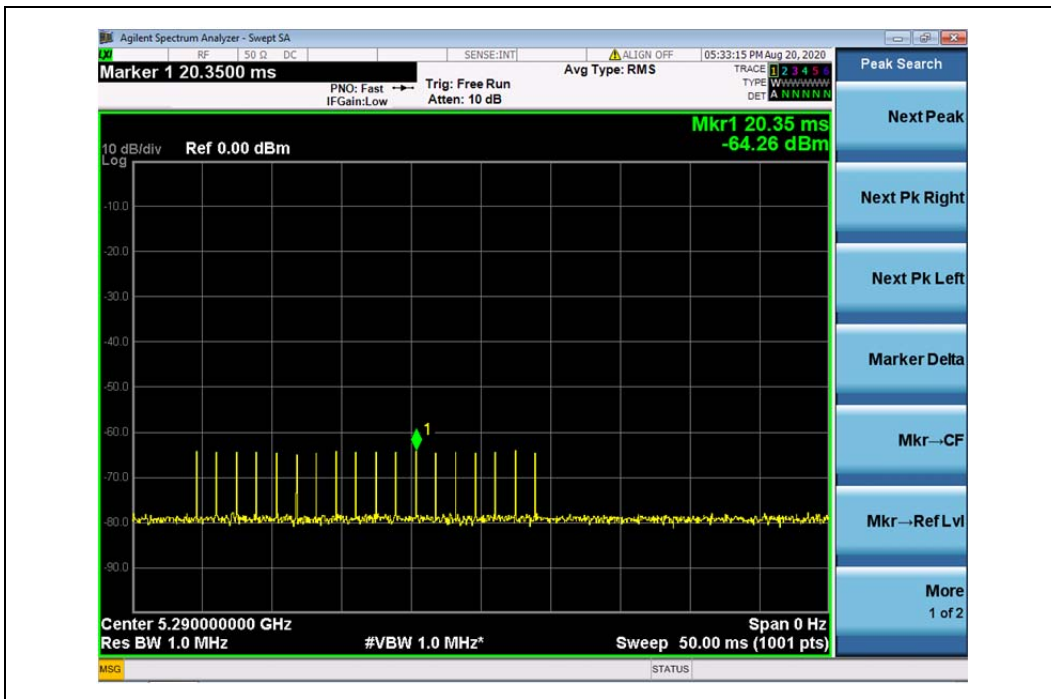


(Payload)

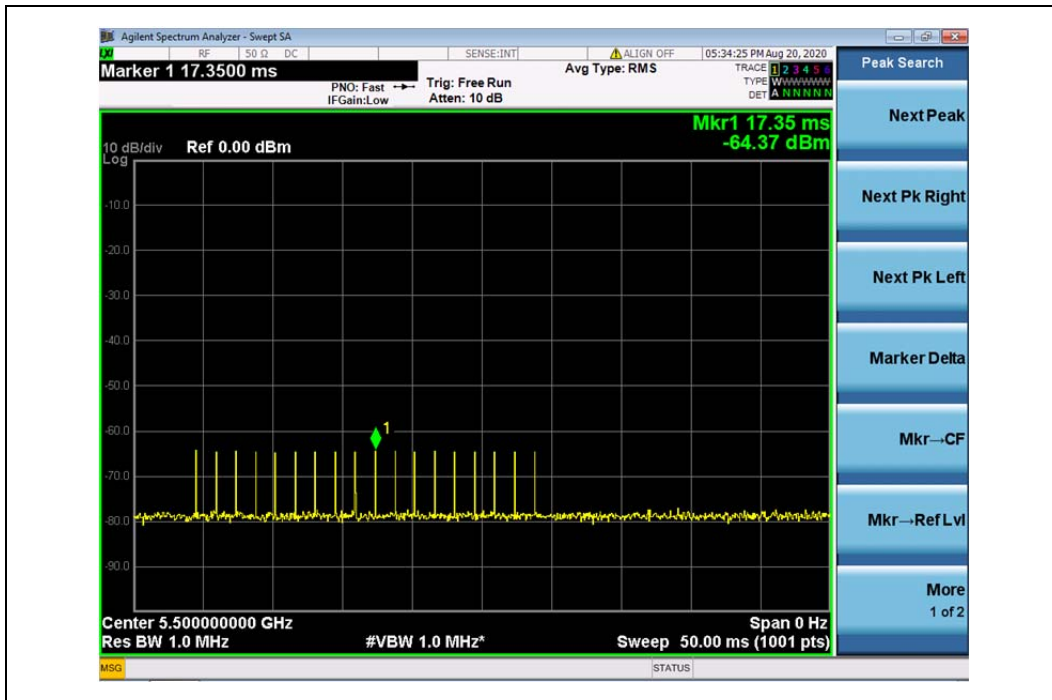
**b.Radar Test Waveforms are injected into the Master:**



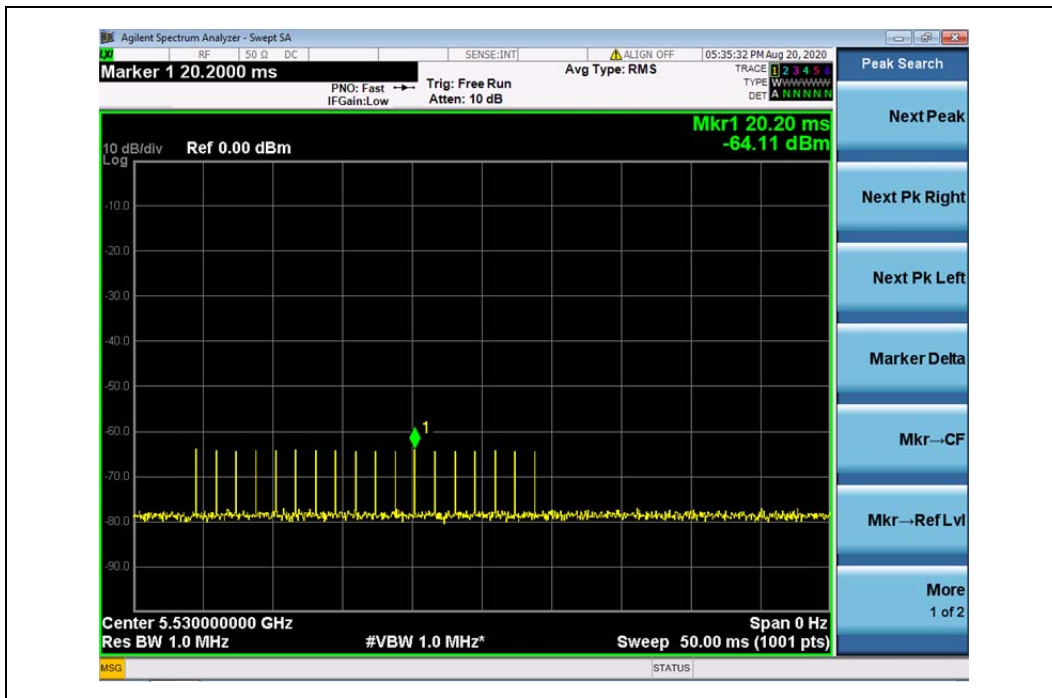
**Reference radar single-5260MHz**



**Reference radar single-5290MHz**



Reference radar single-5500MHz



Reference radar single-5530MHz

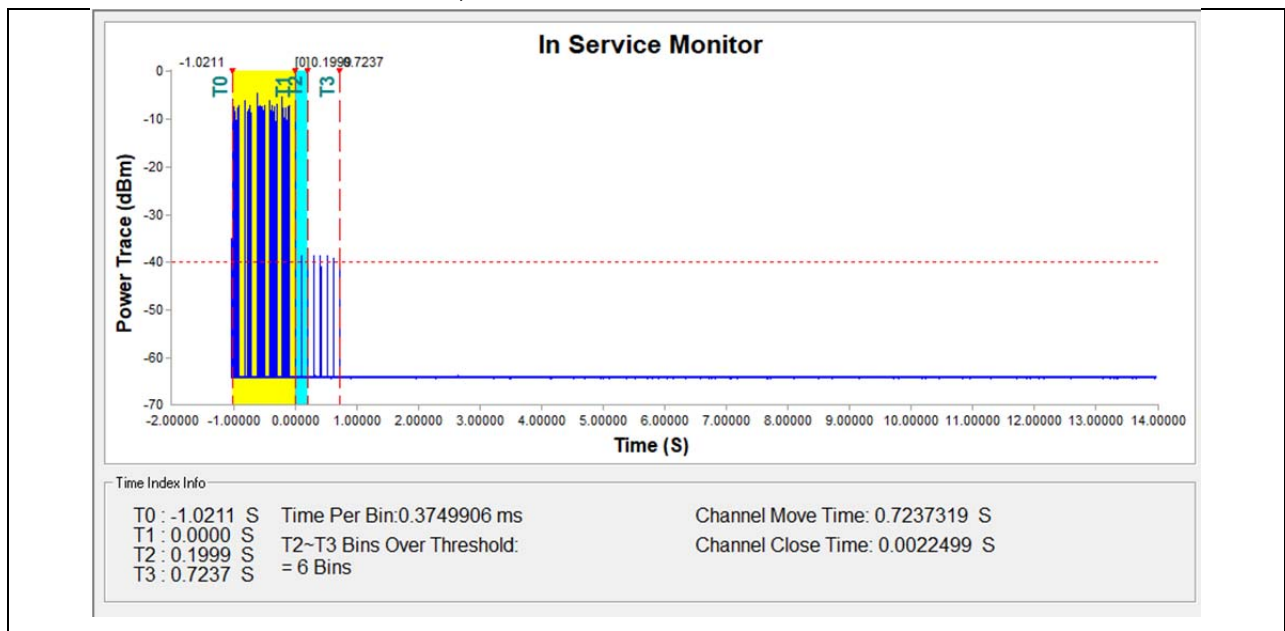


**c.EUT is a Client Device Without Radar Detection :**

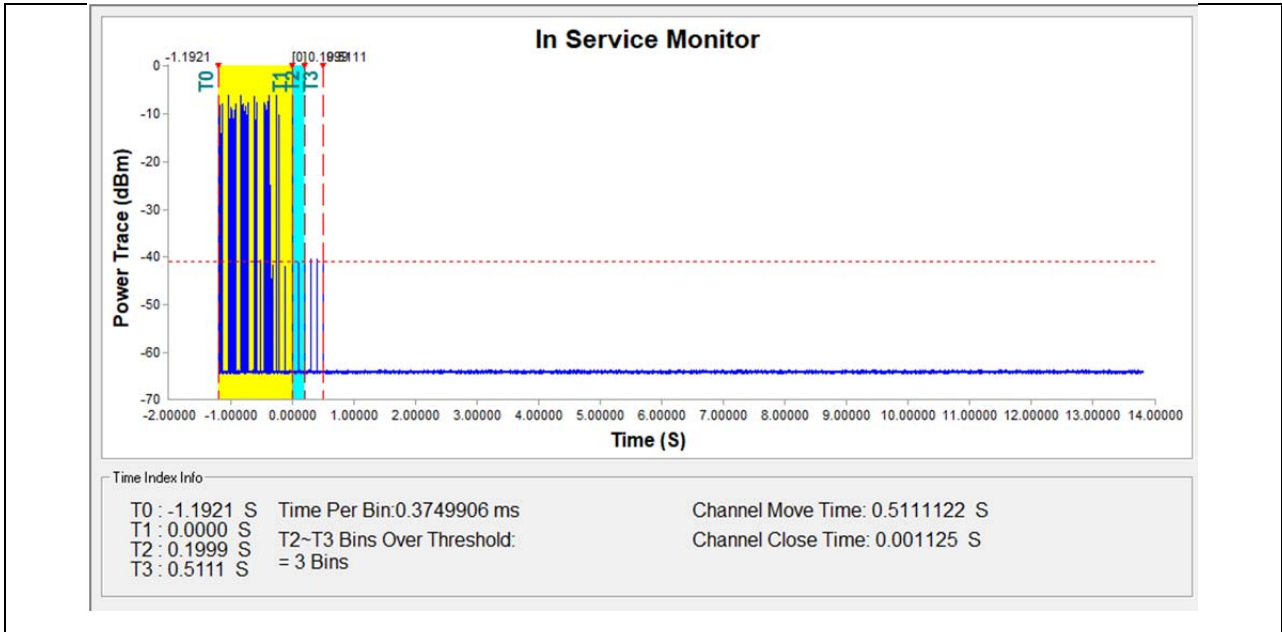
Channel & Bandwidth	Requirement	Operational Mode	Test Result	Limit	Verdict
		Client Without Radar Detection			
802.11a 5260MHz	Channel Move Time	Yes	0.72s	<10s	PASS
	Channel Closing Transmission Time	Yes	2.25ms	<200+60ms	PASS
802.11a 5500MHz	Channel Move Time	Yes	0.51s	<10s	PASS
	Channel Closing Transmission Time	Yes	1.13ms	<200+60ms	PASS
802.11ac (VHT80) 5290MHz	Channel Move Time	Yes	0.89s	<10s	PASS
	Channel Closing Transmission Time	Yes	61.12ms	<200+60ms	PASS
802.11ac (VHT80) 5530MHz	Channel Move Time	Yes	0.0s	<10s	PASS
	Channel Closing Transmission Time	Yes	6.75ms	<200+60ms	PASS

**Test Plot**

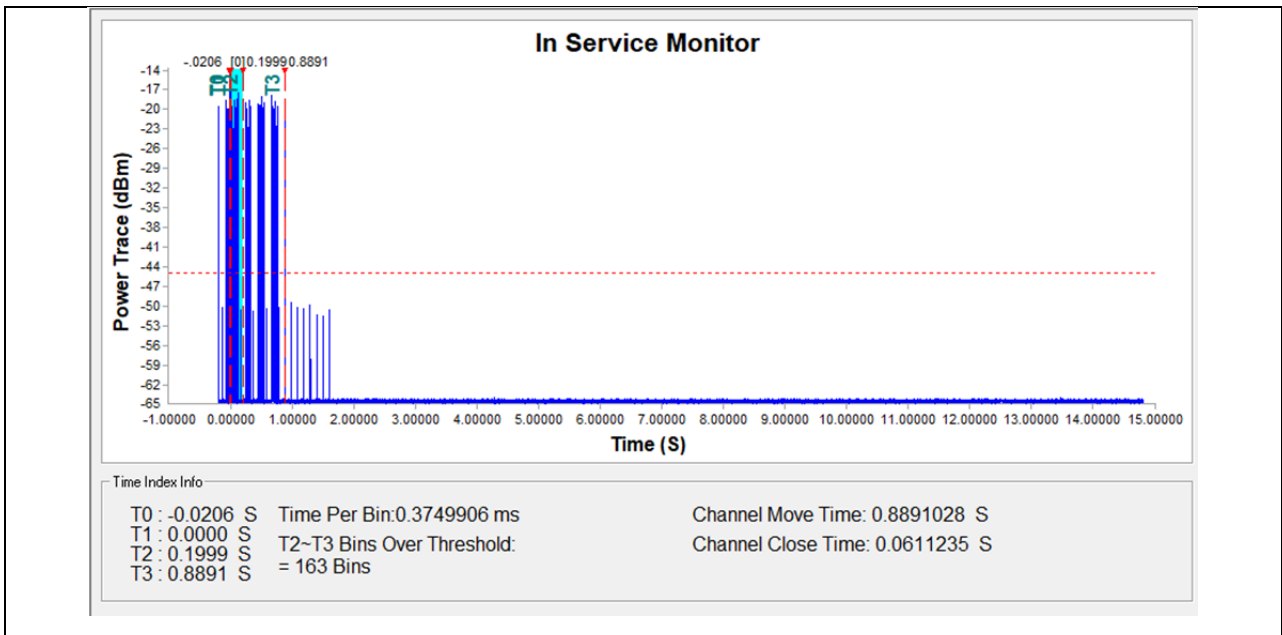
**Note:** T0 denotes the start time of the Radar single transmitted, T1 denotes the end time of the Radar single transmit end. T2 denotes the data transmission time of 200ms from T1. T3 denotes the end of the Channel Move Time, the time of T3 from T1 is less than 12s.



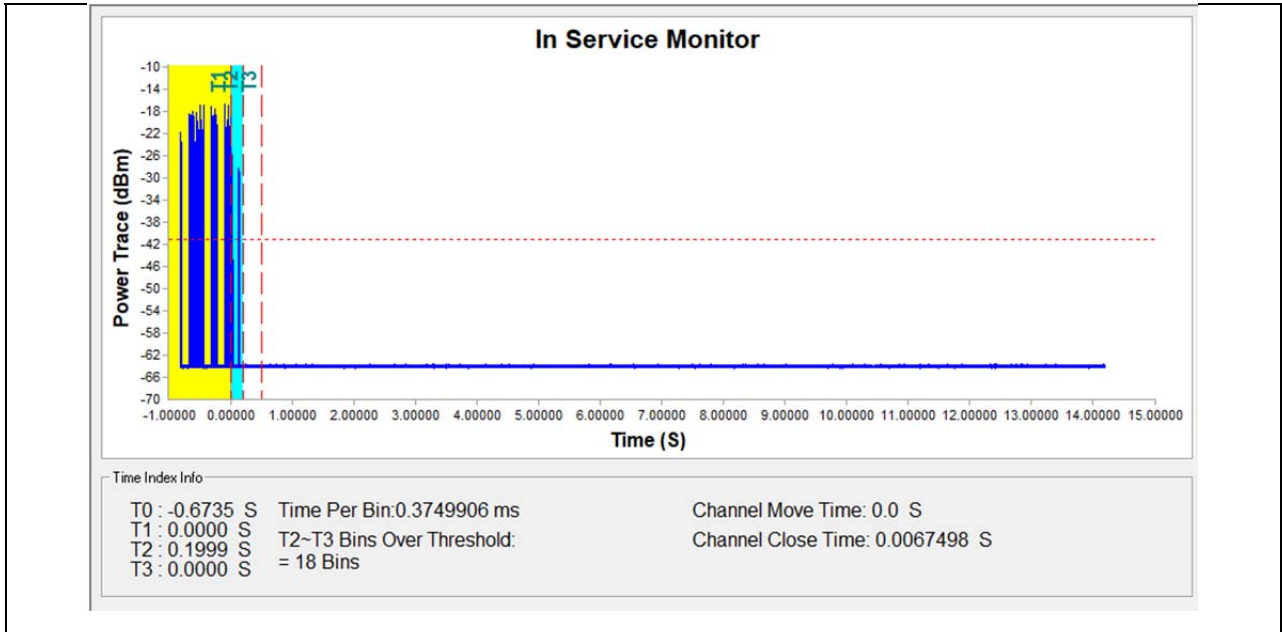
(5260MHz, 802.11a)



(5500MHz, 802.11a)



(5290MHz, 802.11ac (VHT80))



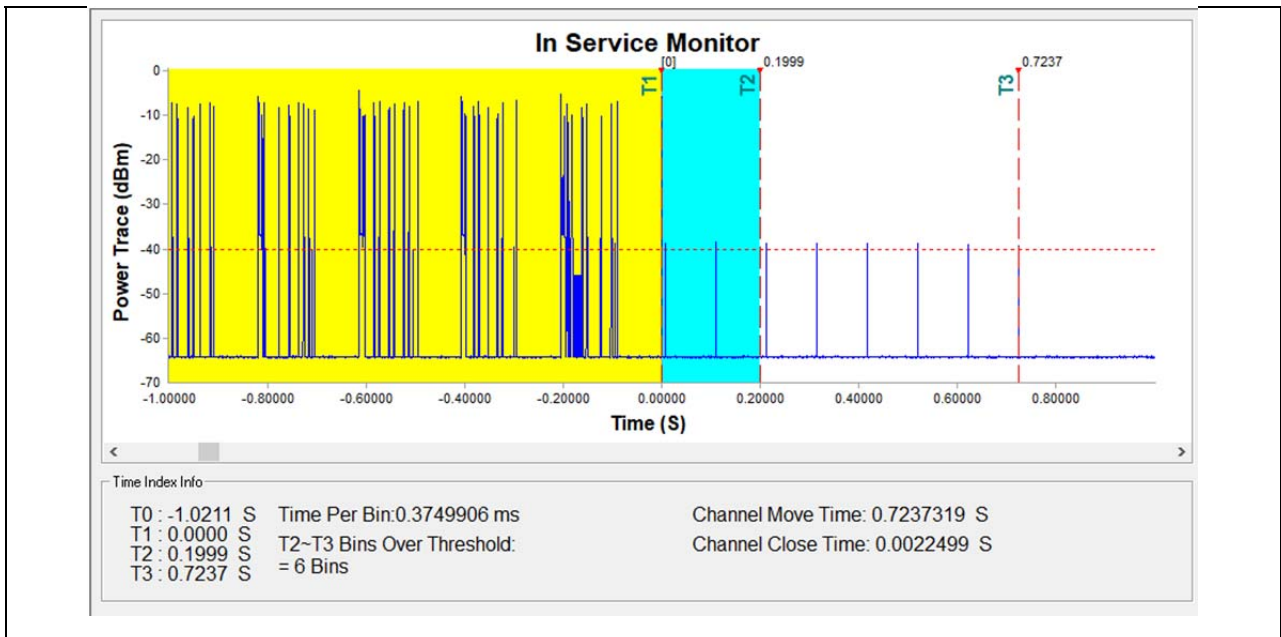
(5530MHz, 802.11ac (VHT80))



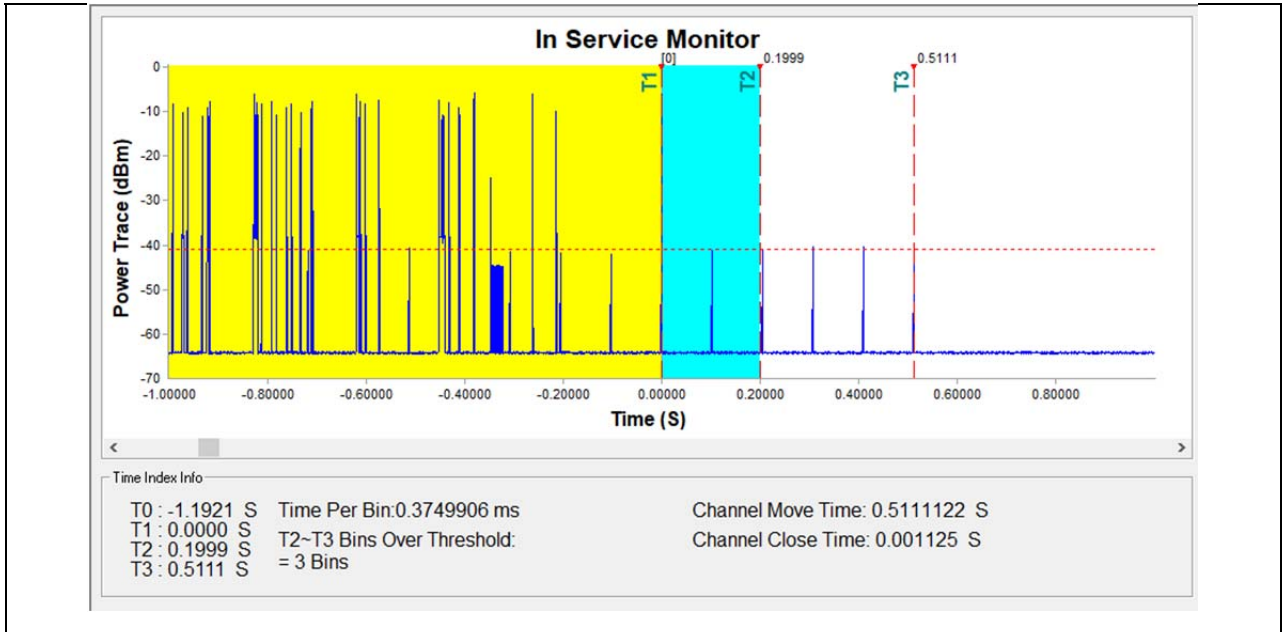
**d. Time per bin**

Channel	Frequency (MHz)	Time Per Bin (ms)
52	5260	0.37
100	5500	0.37
58	5290	0.37
106	5530	0.37

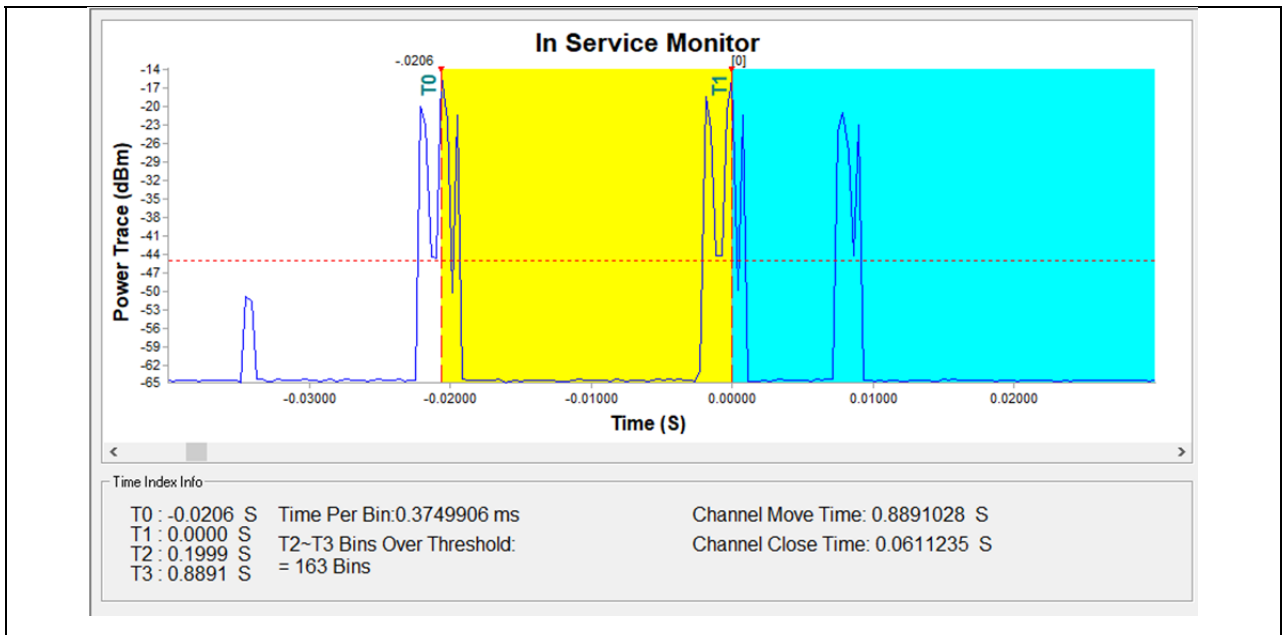
**Test Plot**



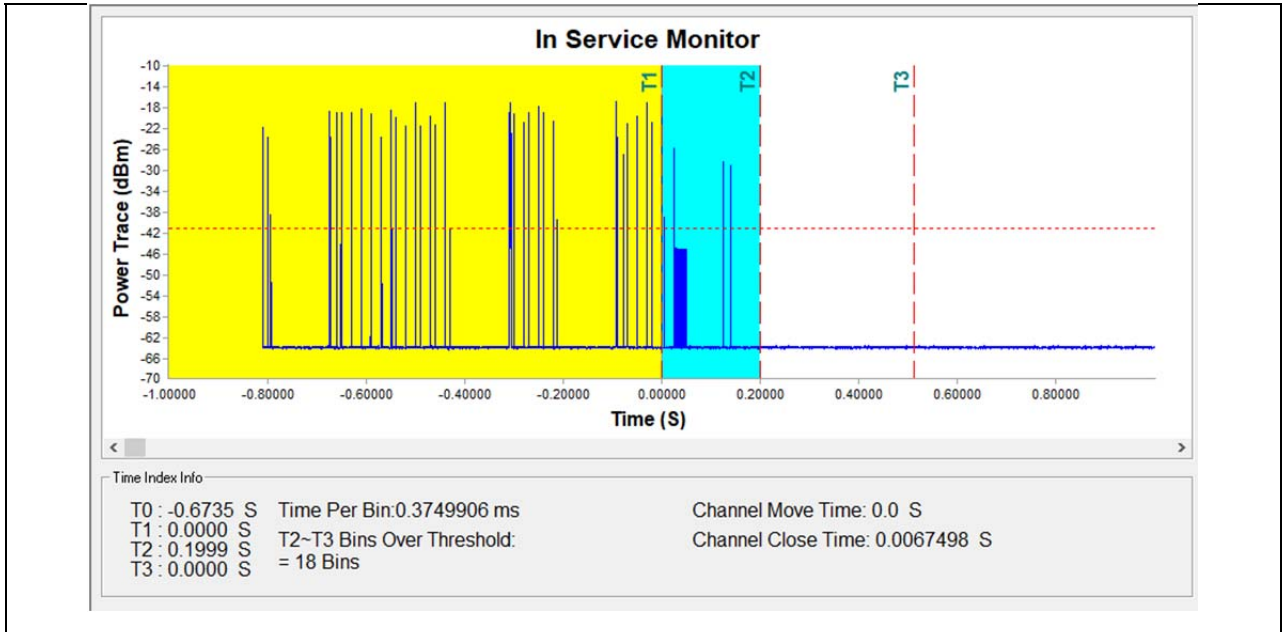
(5260MHz, 802.11a)



(5500MHz, 802.11 a)



(5290MHz, 802.11ac (VHT80))



(5530MHz, 802.11ac (VHT80))

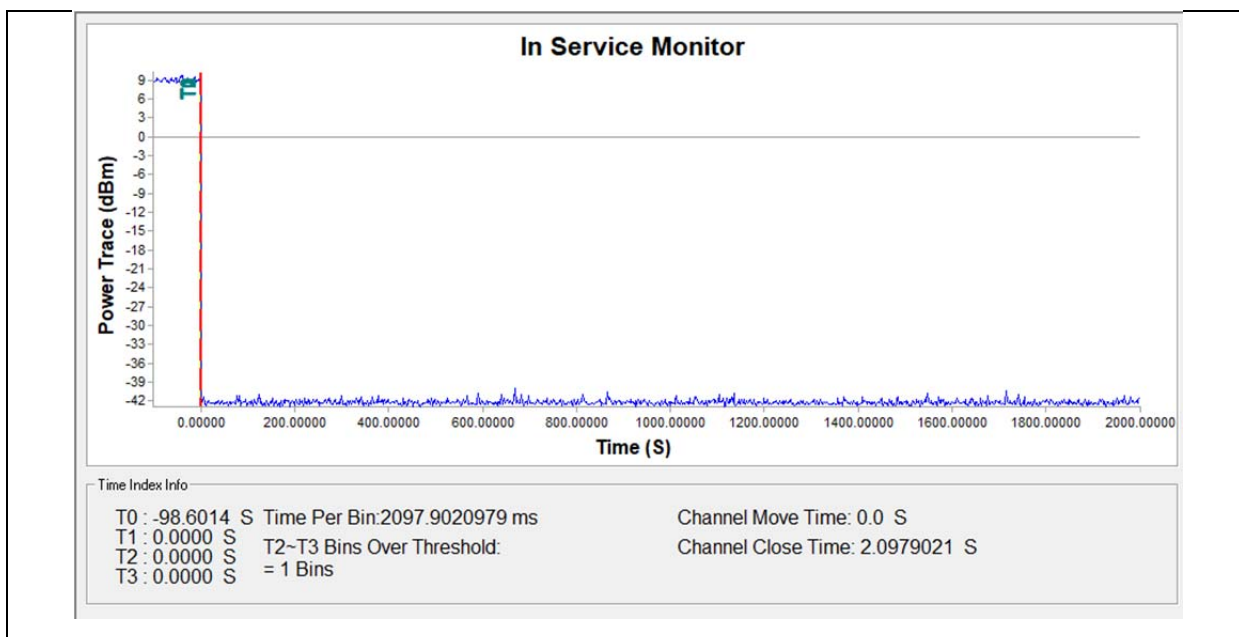


**verification of Non-occupancy time**

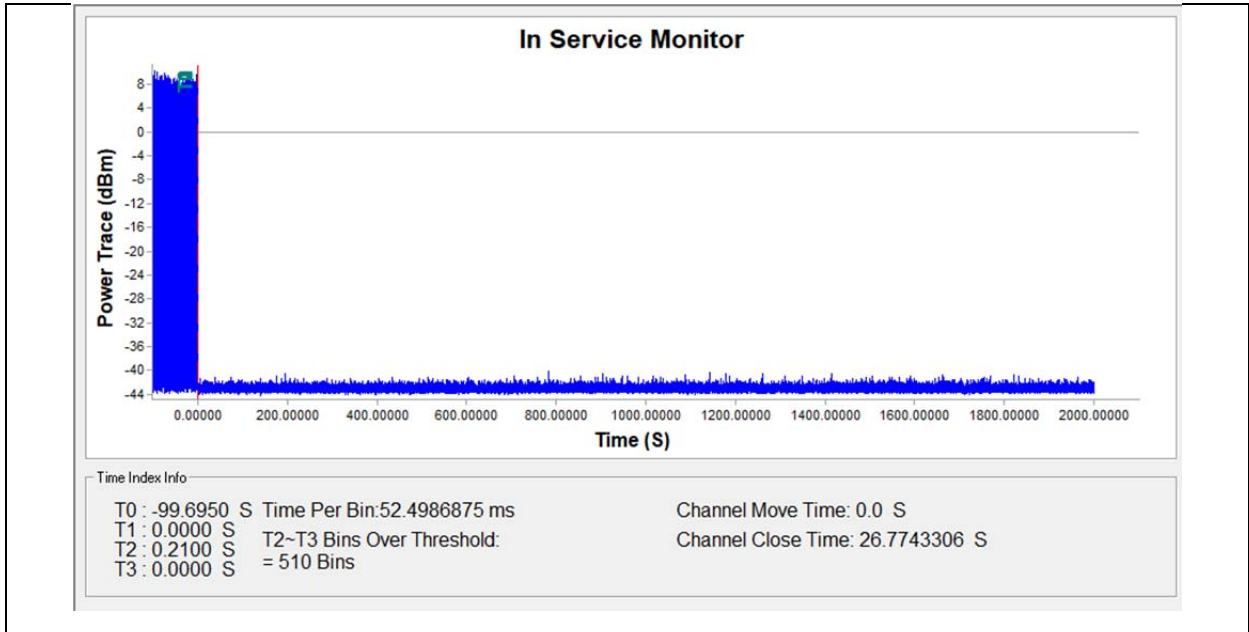
The sweep time is 2.1ks(35min) which is able to meet the requirements of Non-occupancy time.

Channel & Bandwidth	Test Result	Limit	Verdict
802.11a 5260MHz	35min	$\geq 30\text{min}$	PASS
802.11a 5500MHz	35min	$\geq 30\text{min}$	PASS

**Test Plot**



(Non-occupancy time, 5260MHz, 802.11a)



(Non-occupancy time, 5500MHz, 802.11a)





## Annex A Test Uncertainty

Where relevant, the following measurement uncertainty levels have been estimated for test performed on the EUT as specified in CISPR 16-1-2:

Test items	Uncertainty
Bandwidth	±5%
Conducted Emission	±2.44dB

This uncertainty represent an expanded uncertainty expressed at approximately the 95% confidence level using a coverage factor of k=2.



## Annex B Testing Laboratory Information

### 1. Identification of the Responsible Testing Laboratory

<b>Laboratory Name:</b>	Shenzhen Morlab Communications Technology Co., Ltd. Morlab Laboratory
<b>Laboratory Address:</b>	FL.3, Building A, FeiYang Science Park, No.8 LongChang Road, Block 67, BaoAn District, ShenZhen, GuangDong Province, P. R. China
<b>Telephone:</b>	+86 755 36698555
<b>Facsimile:</b>	+86 755 36698525

### 2. Identification of the Responsible Testing Location

<b>Name:</b>	Shenzhen Morlab Communications Technology Co., Ltd. Morlab Laboratory
<b>Address:</b>	FL.3, Building A, FeiYang Science Park, No.8 LongChang Road, Block 67, BaoAn District, ShenZhen, GuangDong Province, P. R. China

### 3. Facilities and Accreditations

All measurement facilities used to collect the measurement data are located at FL.3, Building A, FeiYang Science Park, Block 67, BaoAn District, Shenzhen, 518101 P. R. China. The test site is constructed in conformance with the requirements of ANSI C63.10-2013 and CISPR Publication 22; the FCC designation number is CN1192, the test firm registration number is 226174.



#### 4. Test Equipments Utilized

##### 4.1 Conducted Test Equipments

Equipment Name	Serial No.	Type	Manufacturer	Cal. Date	Cal. Due
Power Splitter	N/A	N/A	N/A	N/A	N/A
Attenuator 1	N/A	N/A	N/A	N/A	N/A
Attenuator 2	N/A	N/A	N/A	N/A	N/A
EXA Signal Analyzer	MY53470836	N9010A	Agilent	2020.04.01	2021.03.31
MXG Vector Signal Generator	MY53050961	N5182B	Angilent	2020.04.01	2021.03.31
RF cable (30MHz-26GHz)	CB01	RF01	Morlab	N/A	N/A
Coaxial cable	CB02	RF02	Morlab	N/A	N/A
SMA connector	CN01	RF03	HUBER-SUHNER	N/A	N/A

————— END OF REPORT —————