

ICASA
TA-2018/1265

MSR-CMA-
RBR-NG2-SHM

12345/SDPPI/2011
1234



Silitech Vietnam
XXXXXXXXXX



Approved by PTA XXXX

LCA/TA/sxx/xxxx

CCXxxyyyzzW



Dilarang melakukan perubahan spesifikasi yang dapat menimbulkan gangguan fisik dan/atau elektromagnetik terhadap lingkungan sekitarnya

AGREE PAR L'ANRT MAROC

Numero d'agrément: MR XXXX ANRT XXXX
Date d'agrément: DD/MM/YYYY

R: X-00000

TRC/XXX/20XX/XXX

TRA
REGISTERED No:
XXXXXXXXXX
DEALER No:
XXXXXXXXXX

OMAN - TRA
x/nnnn/yy
Dyynnnn

BTA
REGISTERED No:
nnnnnn

5GHz band (WS2, WS3): Indoor use only

(Except when communicating with 5.2GHz high power base stations or relay stations)



Complies with
IMDA Standards
xy 123456

SyTRA
REGISTERED No:
xxxxxxxx/yy



XXXXXXXX: יצור: ארץ יצור: Robert Bosch GmbH: יצור: Mod_name: דגם
02.09.2018: תוקף החל מ: 55-00156 מספר אישור דגם:



ETA-XXX/20XX
NCA Approved: BR3-1M-GE2-0E2
ESD-CPEXXXXXXXXXXXX

IFT: xxxxxxxxxxxxxxxx
Marca: Bosch Modelo: xxxxxxxx

GM

84516971



731040000000X
652029760

119256A26526150



AGREE PAR L'ARCT BURUNDI

Numéro et date d'agrément: 098/2018 04/09/2018



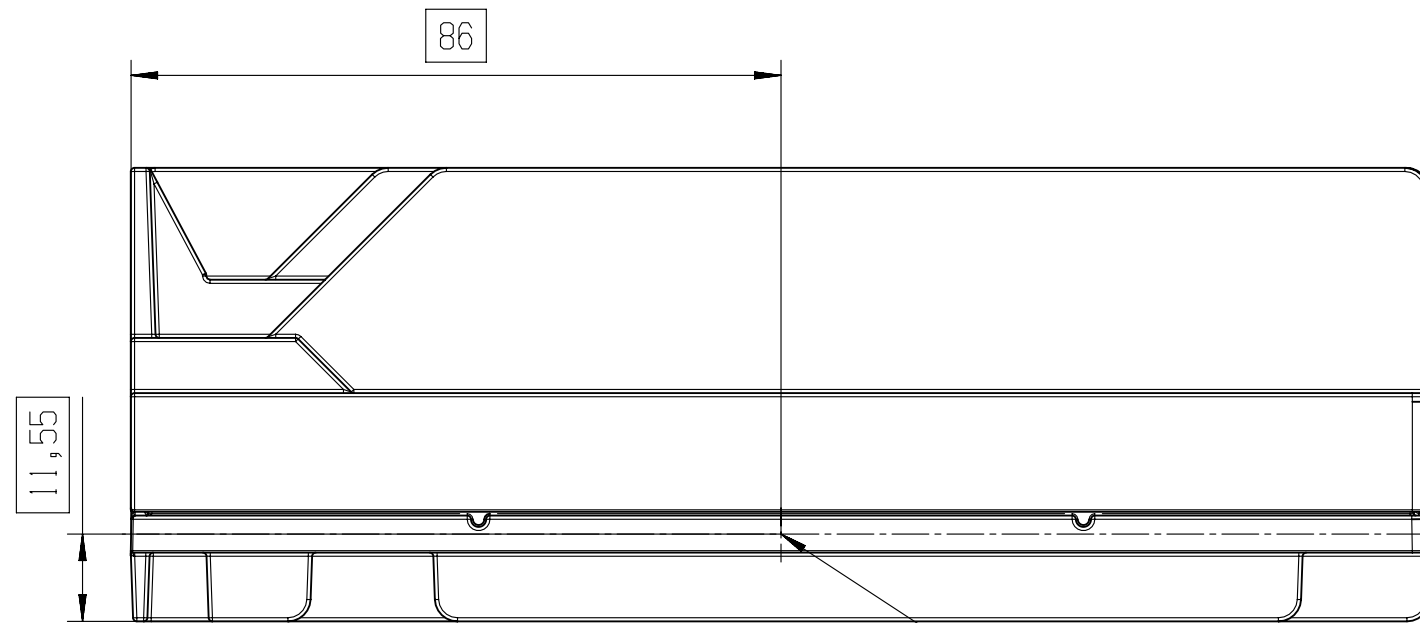
FCC ID: 2AUXS-VCURM1
IC: 25847-VCURM1

This device complies with part 15 of the FCC Rules and Industry Canada RSSs Rules. Operation is subject to the following two conditions: (1) this device may not cause harmful interference, and (2) this device must accept any interference received, including interference that may cause undesired operation.

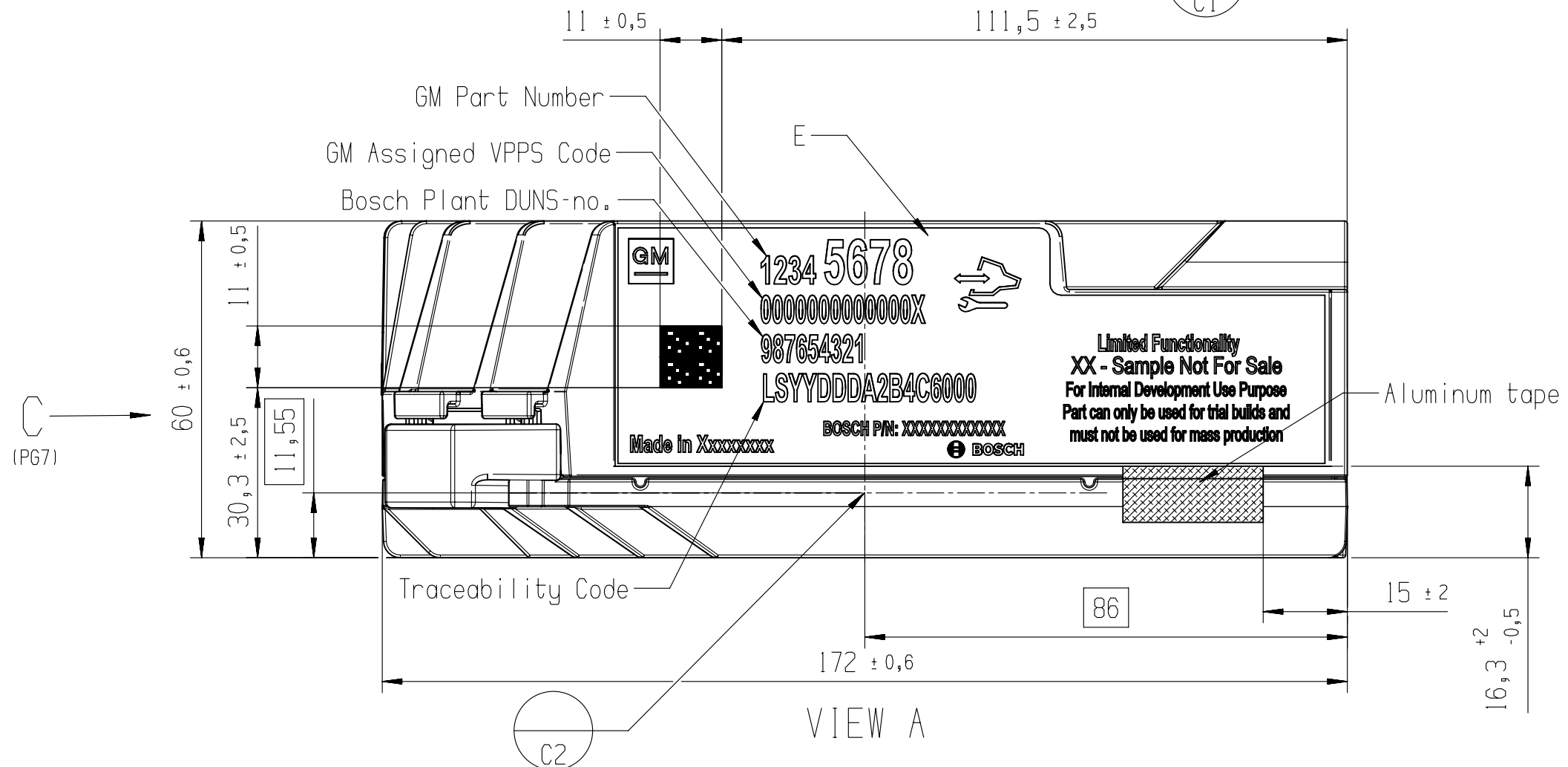
BOSCH
Robert Bosch GmbH
Robert-Bosch-Platz 1
70839 GERLINGEN, GERMANY

Model name: VCURM1
P/N 7510 400 910 HW: XXX SW: XXX
voltage: XXX current: XXX Made in Malaysia





VIEW B



VIEW A

	PAGE TITLE	DRAWING NUMBER	DWG STATUS			PAGE NUMBER	
	DETAIL VIEW		84714855	ST	REV	PDI	6 OF 18
				R	008		