



8451**6971**



731040000000X

652029760

119256A26526150



Robert Bosch GmbH
Robert-Bosch-Platz 1
70839 GERLINGEN, GERMANY

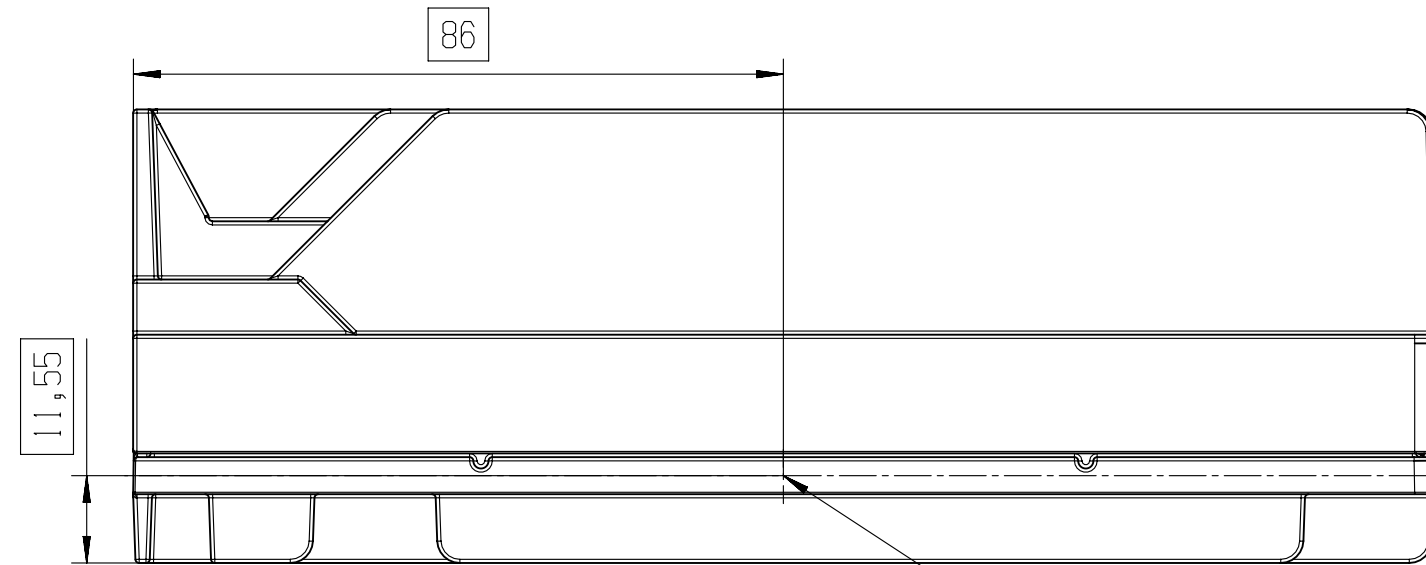
Model name: VCUNM1

P/N 7510 400 910 HW: **XXX** SW: **XXX**

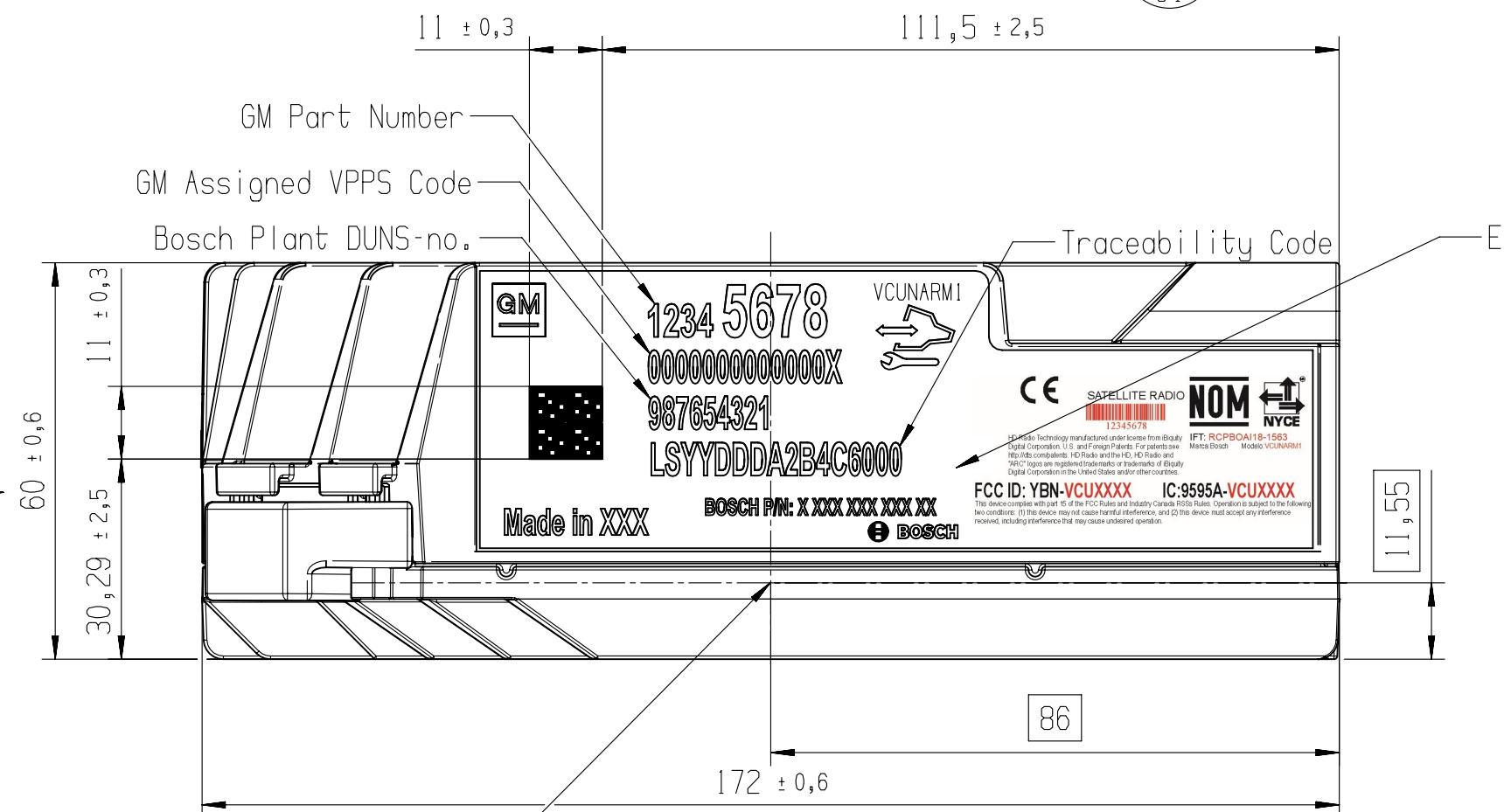
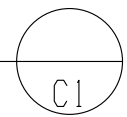
voltage: **XXX** current: **XXX** Made in Malaysia

FCC ID: 2AUXS-VCUNM1 IC: 25847-VCUNM1

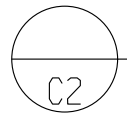
This device complies with part 15 of the FCC Rules and Industry Canada RSSs Rules. Operation is subject to the following two conditions: (1) this device may not cause harmful interference, and (2) this device must accept any interference received, including interference that may cause undesired operation.



VIEW B



VIEW A



	PAGE TITLE		DRAWING NUMBER		DWG STATUS			PAGE NUMBER		
	DETAIL VIEW				84714855		ST	REV	PD I	7
					R	003				