

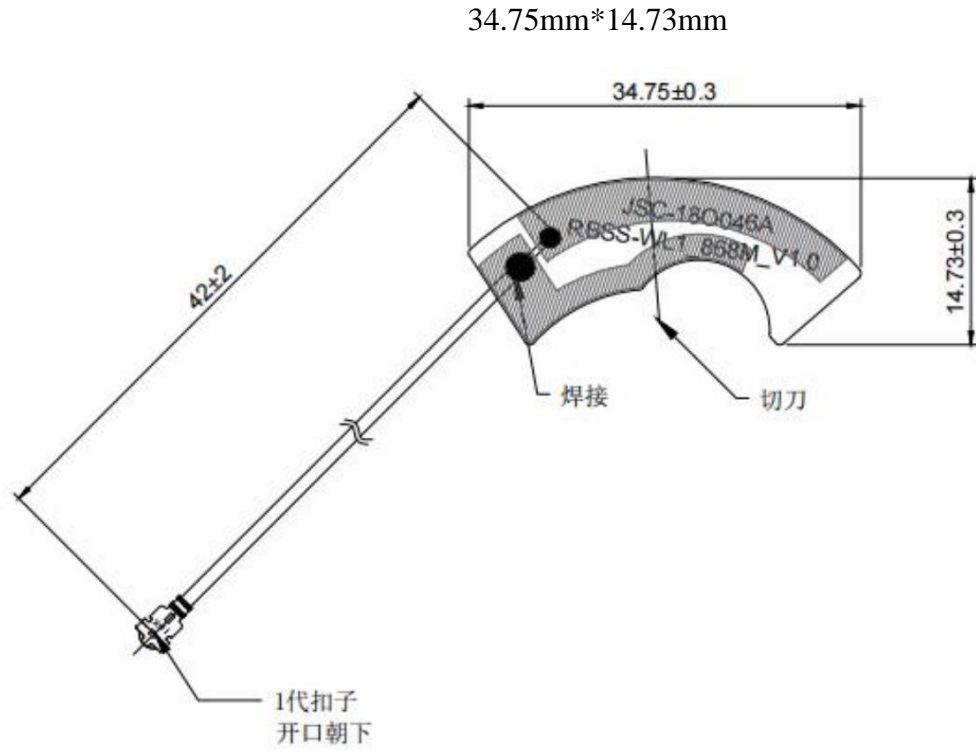
# Antenna Specification

## Specifications

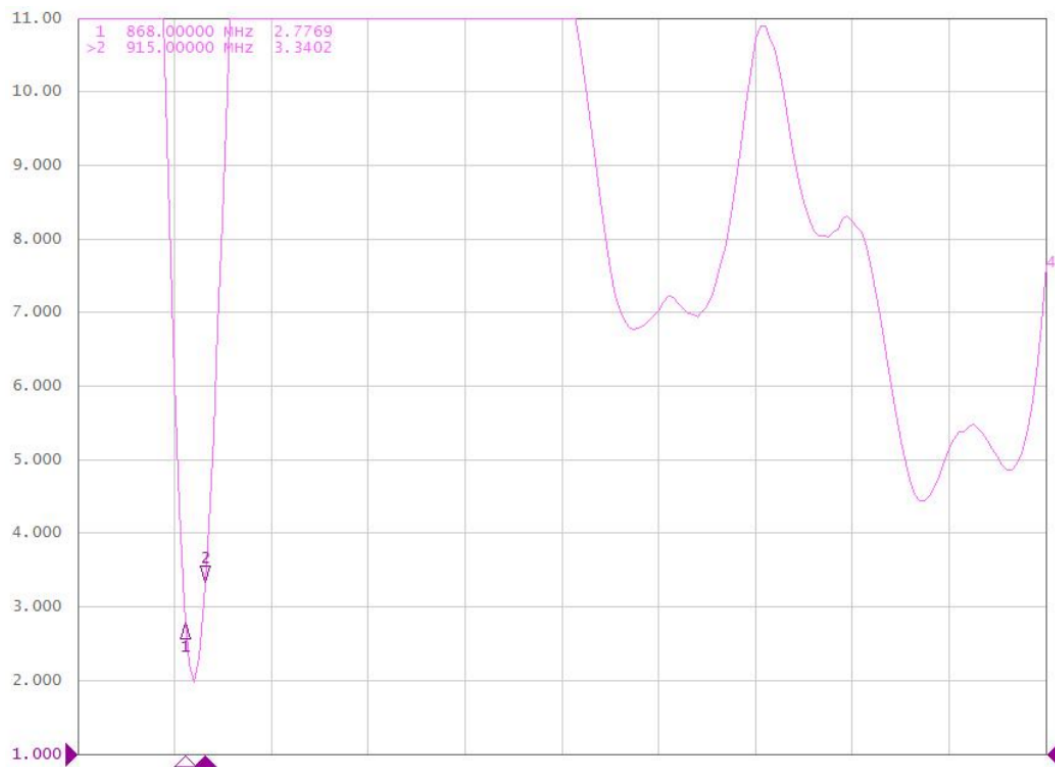
### Summary

	<b>ITEM</b>	<b>SPEC.</b>
<b>Model Name</b>		<b>RBSS-WL1</b>
<b>Frequency</b>		<b>880-930MHz</b>
<b>MAX. GAIN</b>		<b>-1.29 dBi</b>
<b>Polarization</b>		<b>Horizontal</b>
<b>Azimuth Beam Pattern</b>		<b>Omni-directional</b>
<b>Impedance</b>		<b>50 <math>\Omega</math></b>
<b>Antenna Length</b>		<b>85 mm</b>
<b>BRAND</b>	<b>DUSUN</b>	
<b>ANTENNA TYPE</b>	<b>FPC</b>	
	<b>IPEX</b>	
<b>Connect type</b>		

### Antenna Photo & Length



### 915Mhz VSWR = 3.34



**Radiation patterns**

**Frequency=915Mhz**

**ANT MAX gain= -1.29**

915.0MHz H+V, Eff: 25.29%

