

# Antenna Specification

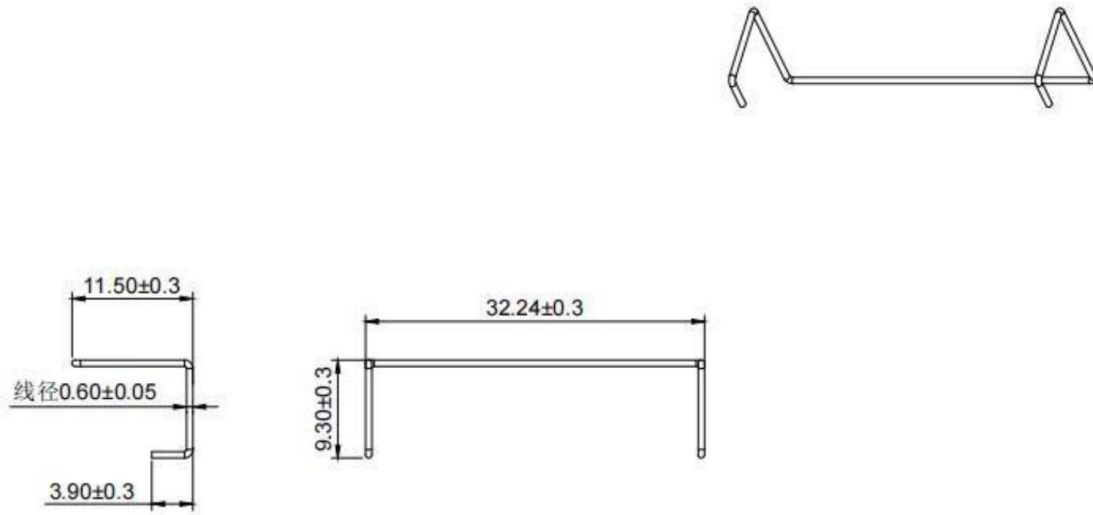
## Specifications

### Summary

	<b>ITEM</b>	<b>SPEC.</b>
<b>Model Name</b>		<b>RBSS-PS1</b>
<b>Frequency</b>		<b>858-930MHz</b>
<b>MAX. GAIN</b>		<b>0.69 dBi</b>
<b>Polarization</b>		<b>Horizontal</b>
<b>Azimuth Beam Pattern</b>		<b>Omni-directional</b>
<b>Impedance</b>		<b>50 Ω</b>
<b>Antenna Length</b>		<b>85 mm</b>
<b>BRAND</b>	<b>DUSUN</b>	
<b>ANTENNA TYPE</b>	<b>Mechanical spring</b>	
<b>Connect type</b>	<b>On Board</b>	

## Antenna Photo & Length

32.24 mm\*9.30 mm



915Mhz VSWR = 6.6



**Radiation patterns**

**Frequency=915Mhz**

**ANT MAX gain= 0.69**

915.0MHz H+V, Eff: 52.27%

