

Antenna Specification

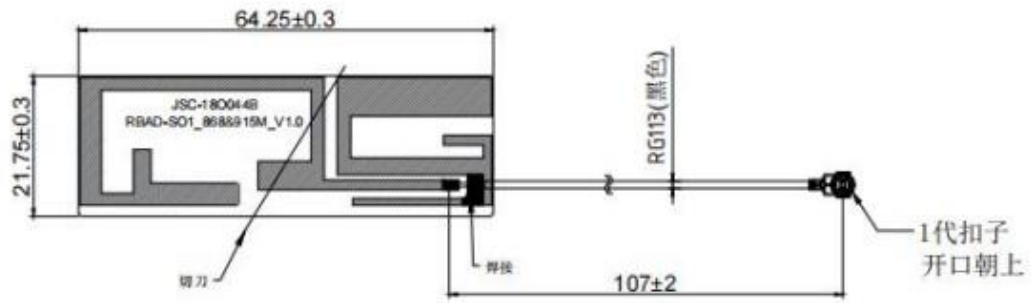
Specifications

Summary

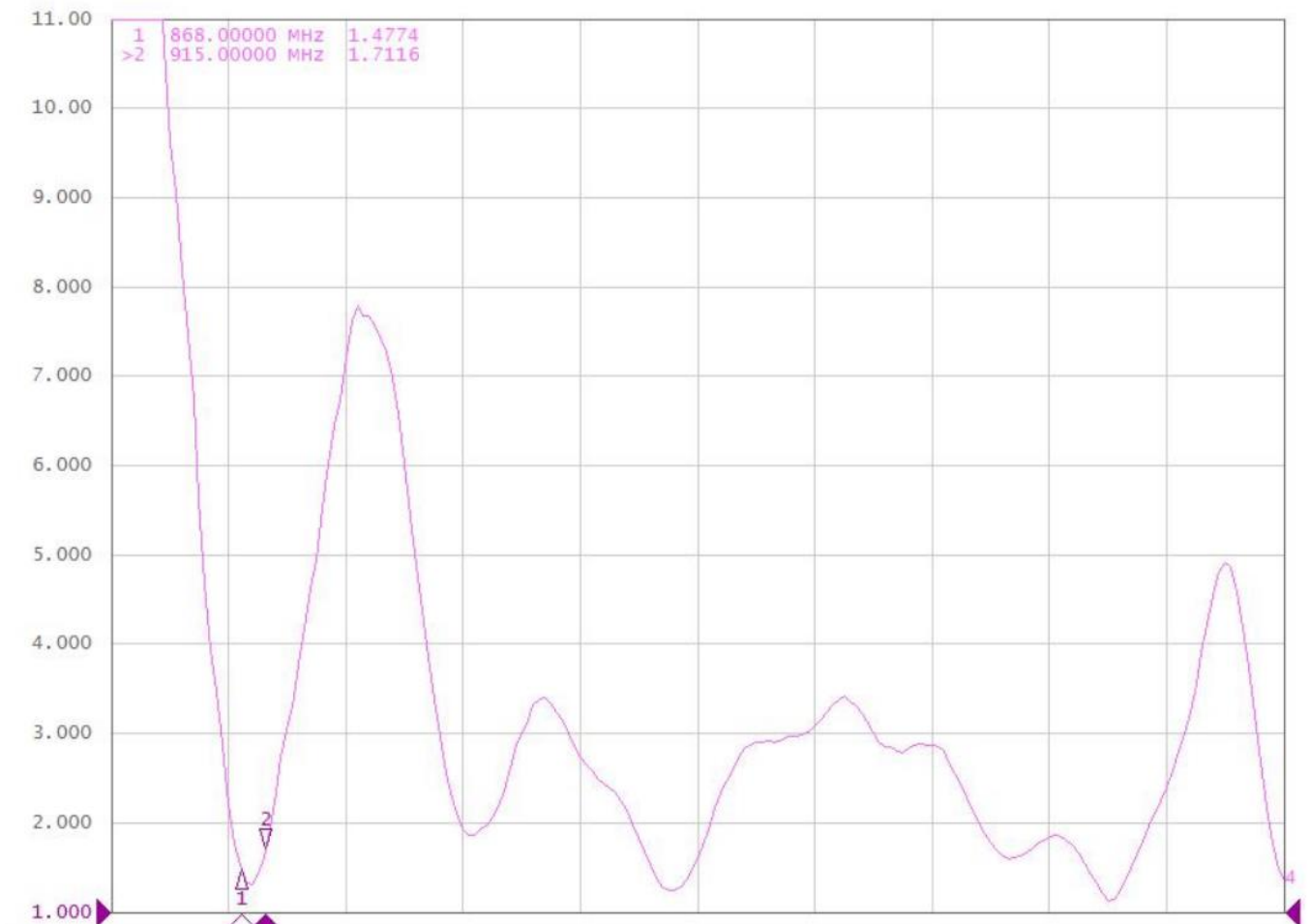
	ITEM	SPEC.
Model Name		RBAD-S01
Frequency		850-930MHz
MAX. GAIN		3.12 dBi
Polarization		Horizontal
Azimuth Beam Pattern		Omni-directional
Impedance		50 Ω
Antenna Length		85 mm
BRAND	DUSUN	
ANTENNA TYPE	FPC	
	IPEX	
Connect type		

Antenna Photo & Length

21.75mm*64.25mm



915Mhz VSWR = 1.71



Radiation patterns

Frequency=915Mhz

ANT MAX gain= 1.71

915.0MHz H+V, Eff:55.38%

